



US00D739449S

(12) **United States Design Patent**  
**Lefsrud**

(10) **Patent No.:** **US D739,449 S**

(45) **Date of Patent:** **\*\* Sep. 22, 2015**

(54) **KNIFE TIP**

(71) Applicant: **Nicholson Manufacturing Ltd.**, Sidney  
(CA)

(72) Inventor: **Jorgen Lefsrud**, Victoria (CA)

(73) Assignee: **Nicholson Manufacturing Ltd.**, Sidney  
(CA)

(\*\*) Term: **14 Years**

(21) Appl. No.: **29/494,507**

(22) Filed: **Jun. 20, 2014**

(51) **LOC (10) Cl.** ..... **15-09**

(52) **U.S. Cl.**  
USPC ..... **D15/139**

(58) **Field of Classification Search**  
USPC ..... D15/131, 138, 139, 140  
See application file for complete search history.

(56) **References Cited**

**U.S. PATENT DOCUMENTS**

3,781,956	A *	1/1974	Jones et al.	407/113
4,561,810	A *	12/1985	Ohno	407/118
5,193,947	A *	3/1993	Bernadic et al.	407/114
5,199,827	A *	4/1993	Pantzar	407/42
D341,604	S *	11/1993	Hessman	D15/139
5,365,805	A *	11/1994	Pantzar et al.	76/101.1
5,417,608	A *	5/1995	Elliott	451/81
5,441,370	A *	8/1995	Pantzar et al.	407/113
D367,866	S *	3/1996	Pantzar et al.	D15/139
D369,362	S *	4/1996	Pantzar et al.	D15/139
5,597,271	A *	1/1997	Men et al.	407/113
5,803,674	A *	9/1998	Satran et al.	407/42
5,810,521	A *	9/1998	Pantzar et al.	407/114
D430,583	S *	9/2000	Fang et al.	D15/139

6,607,334	B2 *	8/2003	Satran et al.	407/35
D487,281	S *	3/2004	Roman et al.	D15/139
6,742,969	B1 *	6/2004	Hoefler	407/34
7,147,407	B2 *	12/2006	Satran	407/42
D555,684	S *	11/2007	Waggle et al.	D15/139
D559,286	S *	1/2008	Waggle et al.	D15/139
7,476,062	B2 *	1/2009	Waggle	407/113
7,775,750	B2 *	8/2010	Satran et al.	407/113
8,550,754	B2 *	10/2013	Hecht	407/42
D700,640	S *	3/2014	Choi et al.	D15/139
8,696,264	B2 *	4/2014	Gey et al.	407/113
8,974,156	B2 *	3/2015	Burtscher	407/113
8,998,542	B2 *	4/2015	Ishi	407/42
9,039,335	B2 *	5/2015	Hedberg	407/40
9,044,813	B2 *	6/2015	Choi et al.	1/1
2005/0214080	A1 *	9/2005	Satran	407/113

\* cited by examiner

*Primary Examiner* — Patricia Palasik

(74) *Attorney, Agent, or Firm* — Seed IP Law Group PLLC

(57) **CLAIM**

The ornamental design for a knife tip, as shown and described.

**DESCRIPTION**

FIG. 1 is a perspective view of a knife tip showing my new design.

FIG. 2 is a top plan view thereof.

FIG. 3 is a bottom plan view thereof.

FIG. 4 is a front elevation view thereof.

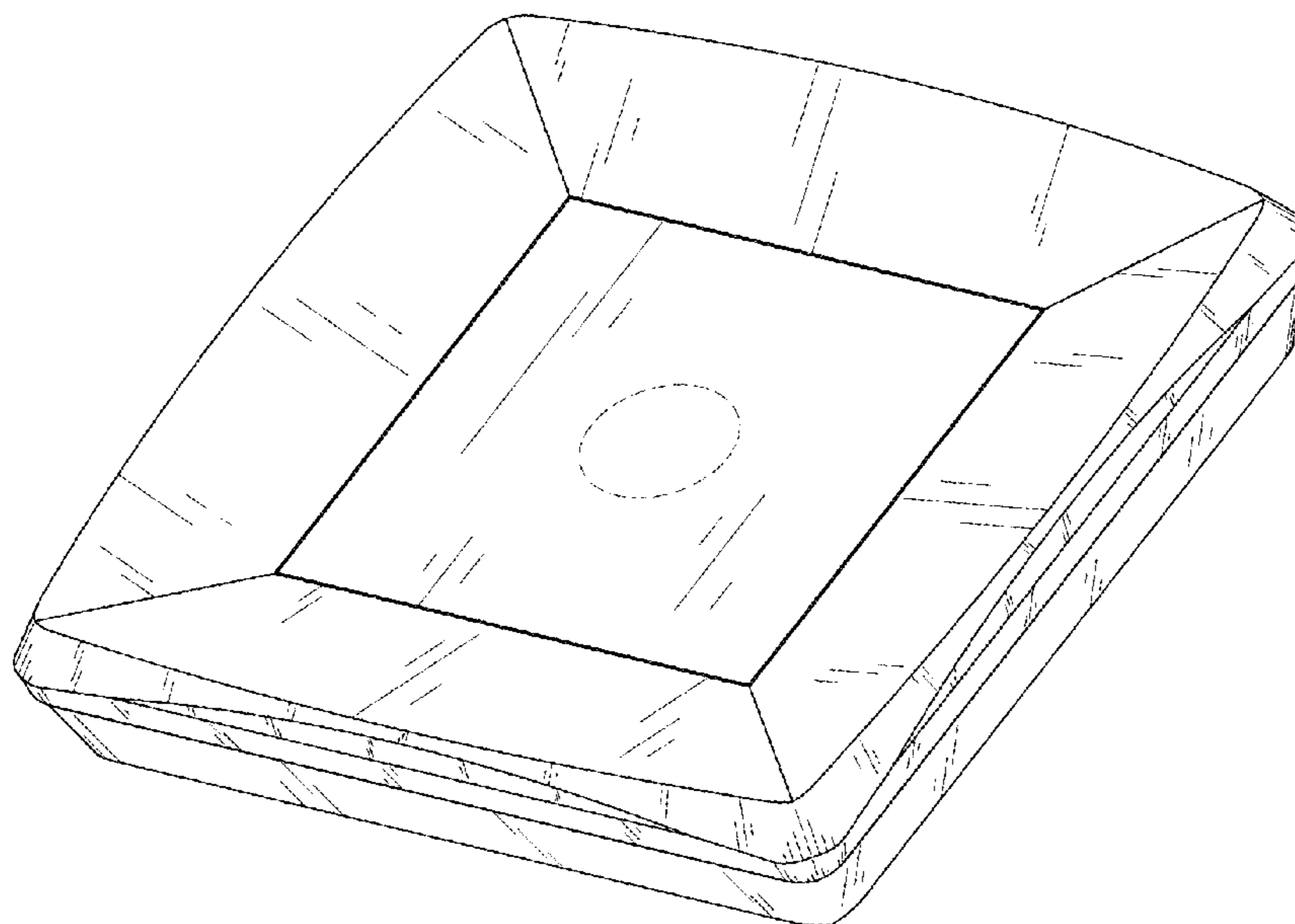
FIG. 5 is a rear elevation view thereof.

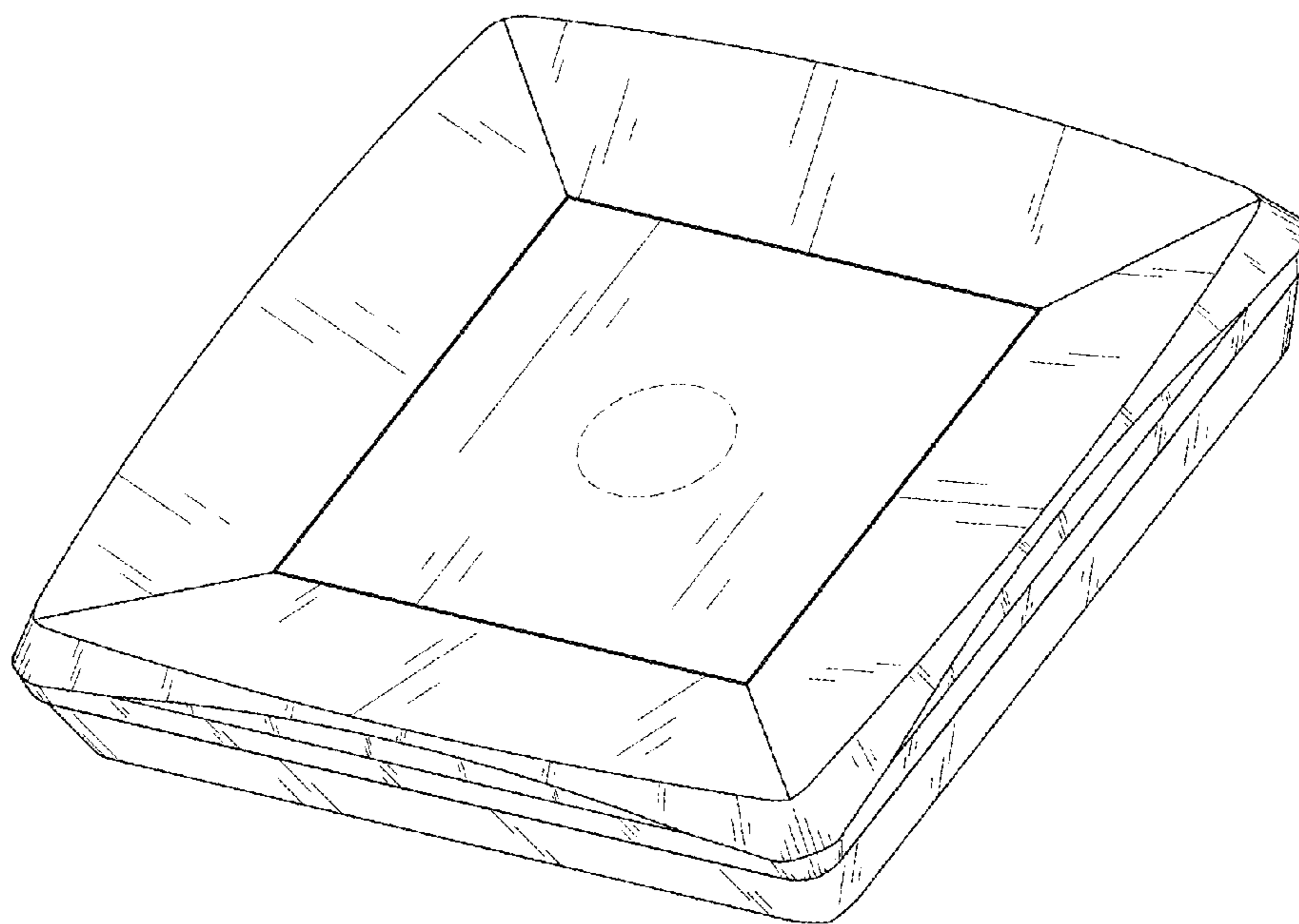
FIG. 6 is a left side elevation view thereof; and,

FIG. 7 is a right side elevation view thereof.

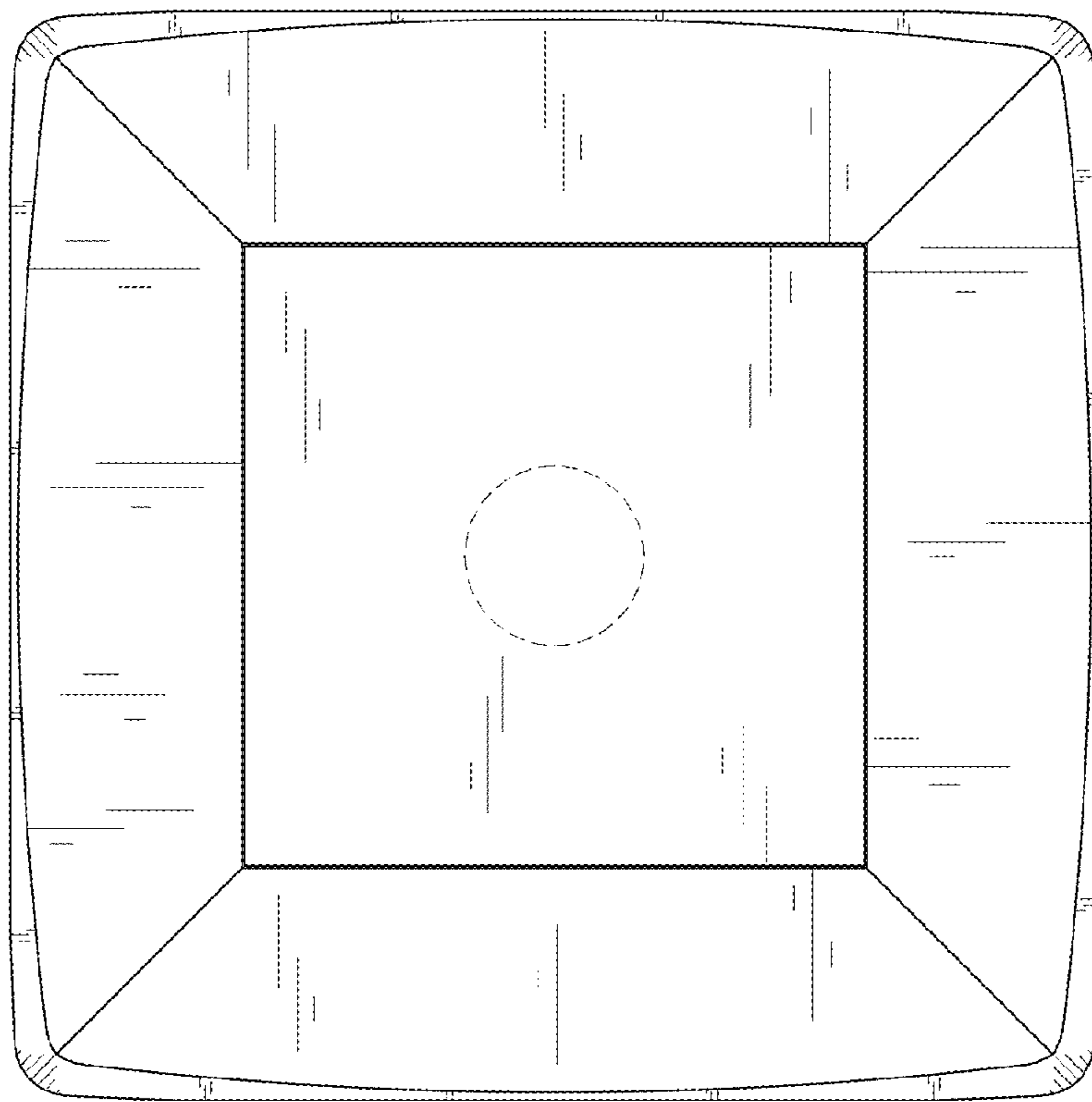
The broken lines in the figures form no part of the claimed design.

**1 Claim, 5 Drawing Sheets**

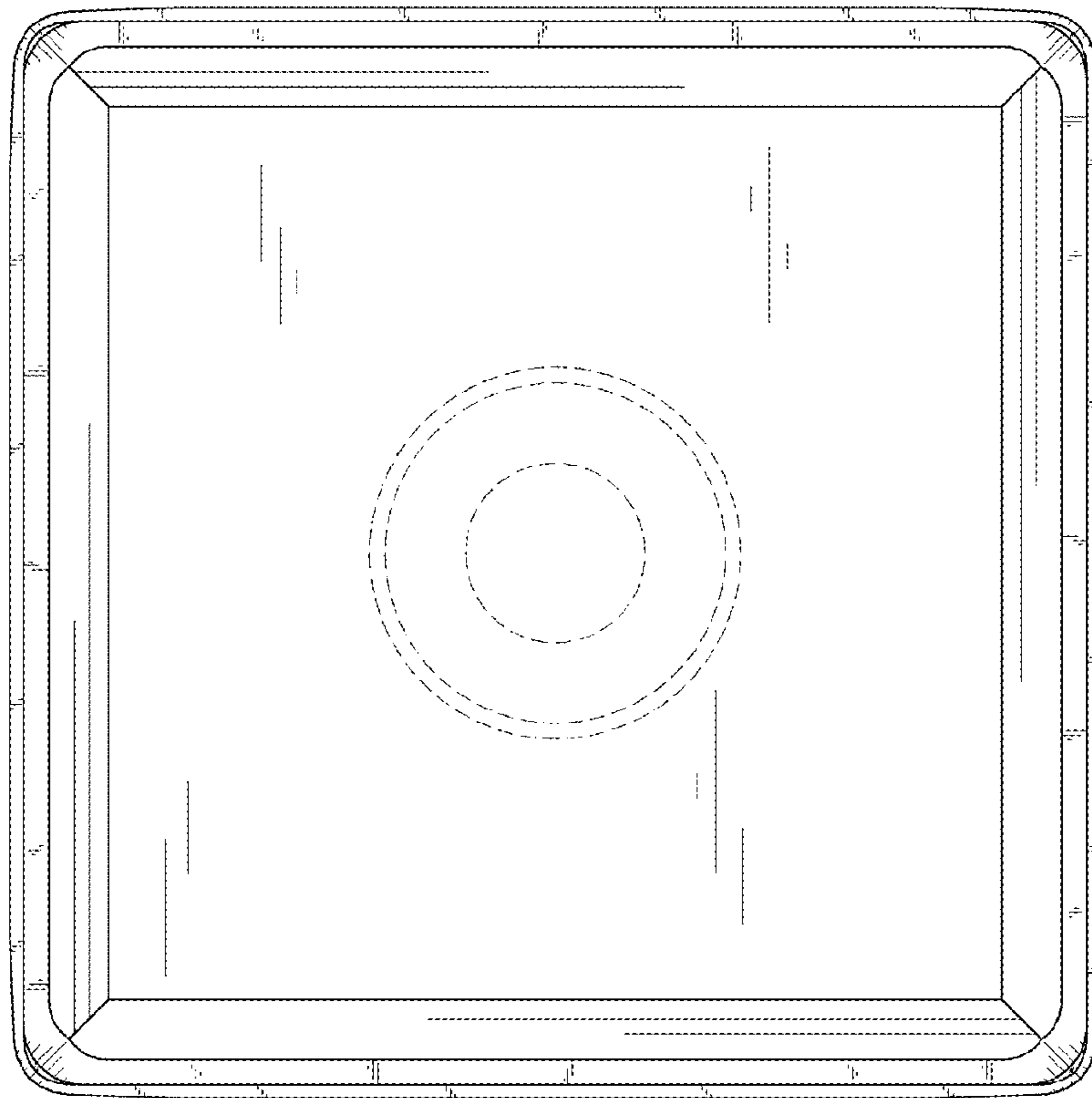




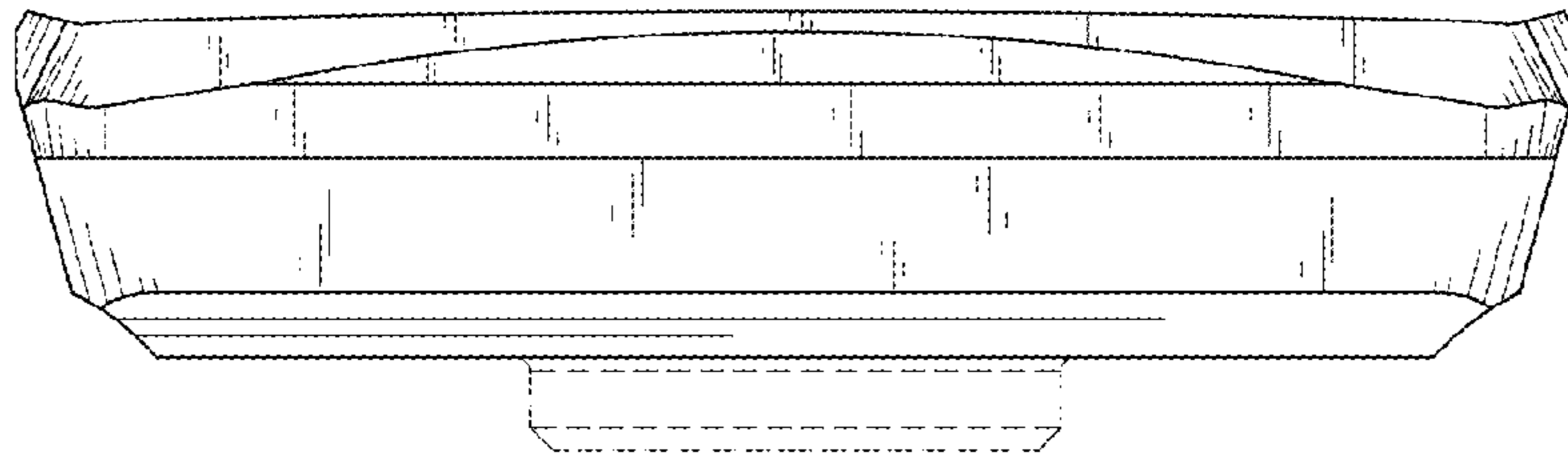
*FIG. 1*



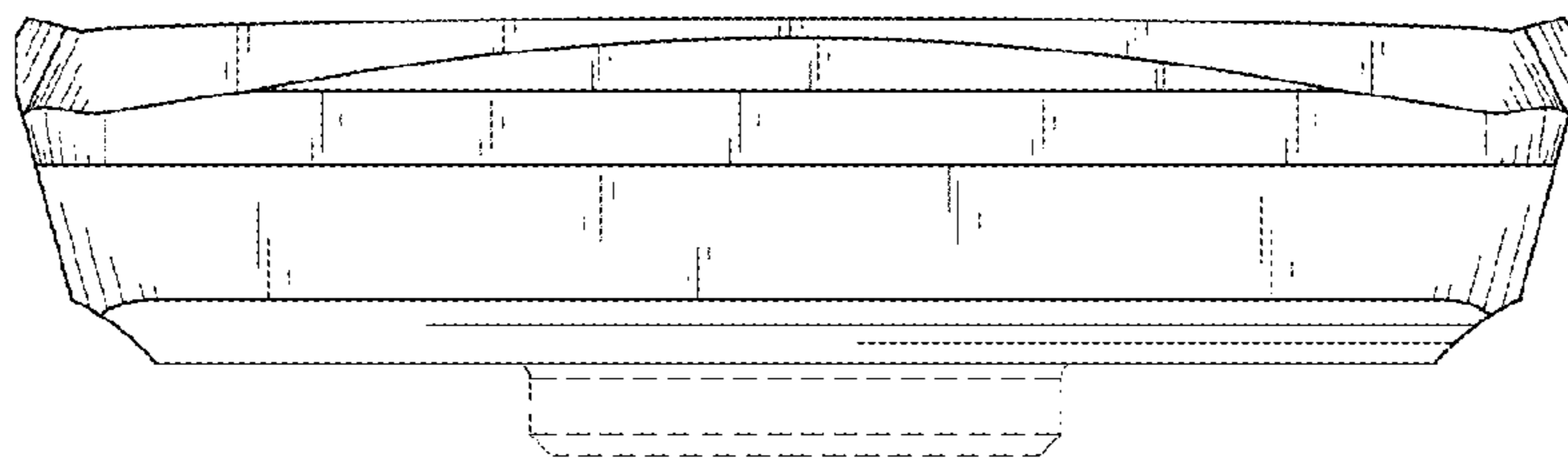
*FIG. 2*



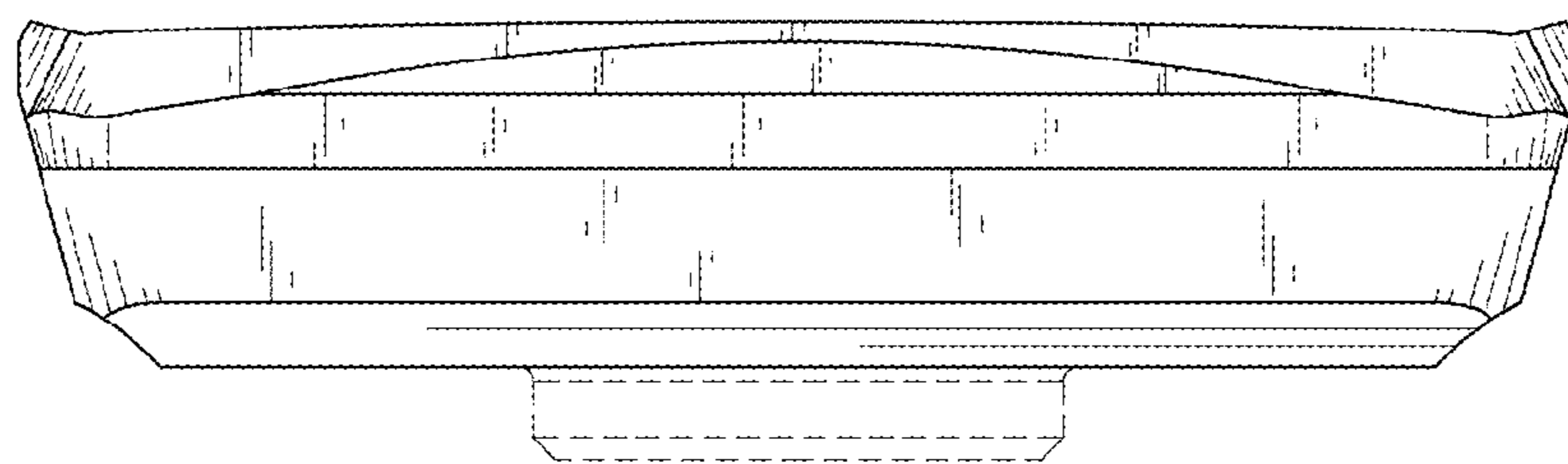
*FIG. 3*



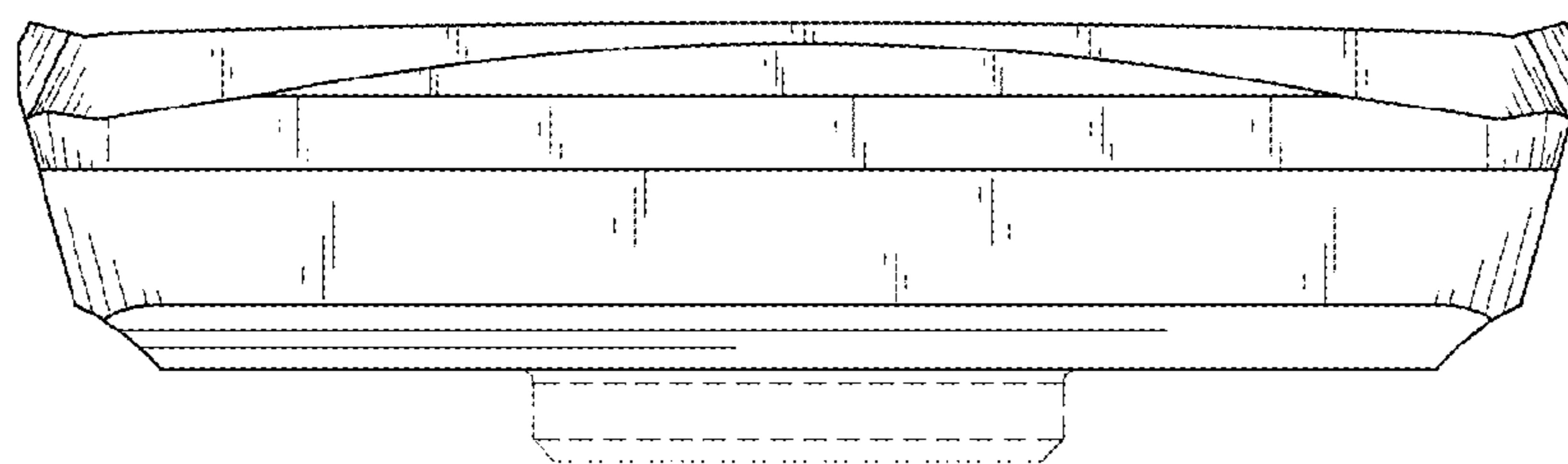
*FIG. 4*



*FIG. 5*



*FIG. 6*



*FIG. 7*