

US00D739446S

(12) **United States Design Patent**  
**Nilsson**

(10) **Patent No.:** **US D739,446 S**  
(45) **Date of Patent:** **\*\* Sep. 22, 2015**

- (54) **FRONT LOADER FOR A TRACTOR**
- (71) Applicant: **ALO Aktiebolag**, Umea (SE)
- (72) Inventor: **Tommy Nilsson**, Umea (SE)
- (73) Assignee: **Alo Aktiebolag**, Umea (SE)
- (\*\*) Term: **14 Years**
- (21) Appl. No.: **29/469,471**
- (22) Filed: **Oct. 10, 2013**

4,162,872 A	7/1979	Grooss et al.
4,576,543 A	3/1986	Kuchyt et al.
D339,813 S	9/1993	Houkom
5,611,657 A	3/1997	Peterson
D405,098 S	2/1999	Andrews et al.
D410,240 S	5/1999	Sasaki
D412,913 S	8/1999	Sasaki
D451,105 S	11/2001	Masumoto et al.
D459,368 S	6/2002	Westendorf et al.
D469,448 S	1/2003	Bares et al.
D507,004 S	7/2005	Westendorf et al.
D518,075 S	3/2006	Westendorf et al.
D528,569 S	9/2006	Nilsson
D529,053 S	9/2006	Stender et al.
D533,883 S	12/2006	Higashikawa et al.
7,281,890 B2	10/2007	Friesen et al.

(Continued)

**Related U.S. Application Data**

- (60) Continuation of application No. 29/413,063, filed on Feb. 10, 2012, now abandoned, which is a division of application No. 29/413,062, filed on Feb. 10, 2012, now Pat. No. Des. 672,372, which is a division of application No. 29/413,061, filed on Feb. 10, 2012, now abandoned, which is a division of application No. 29/396,905, filed on Jul. 8, 2011, now abandoned.

- (51) **LOC (10) Cl.** ..... **15-03**
- (52) **U.S. Cl.**  
USPC ..... **D15/32**

- (58) **Field of Classification Search**  
USPC ..... D15/10, 22-26, 28, 29, 32; 414/686, 414/694, 722, 718, 815, 723, 685, 724; 37/341, 407, 468; 212/347  
CPC ..... E02F 9/2275; E02F 3/34; E02F 3/28; E02F 3/36; E02F 3/6273; E02F 3/627; E02F 3/432; E02F 3/422; E02F 3/3408; E02F 3/382; A01D 87/0069; B66C 23/00  
See application file for complete search history.

- (56) **References Cited**

**U.S. PATENT DOCUMENTS**

2,989,199 A	6/1961	Hough et al.
4,161,369 A	7/1979	Moreno

**OTHER PUBLICATIONS**

Notice of Allowance dated Mar. 30, 2012 issued in related U.S. Appl. No. 29/413,062.

(Continued)

*Primary Examiner* — Mark Goodwin

(74) *Attorney, Agent, or Firm* — Harness, Dickey & Pierce, P.L.C.

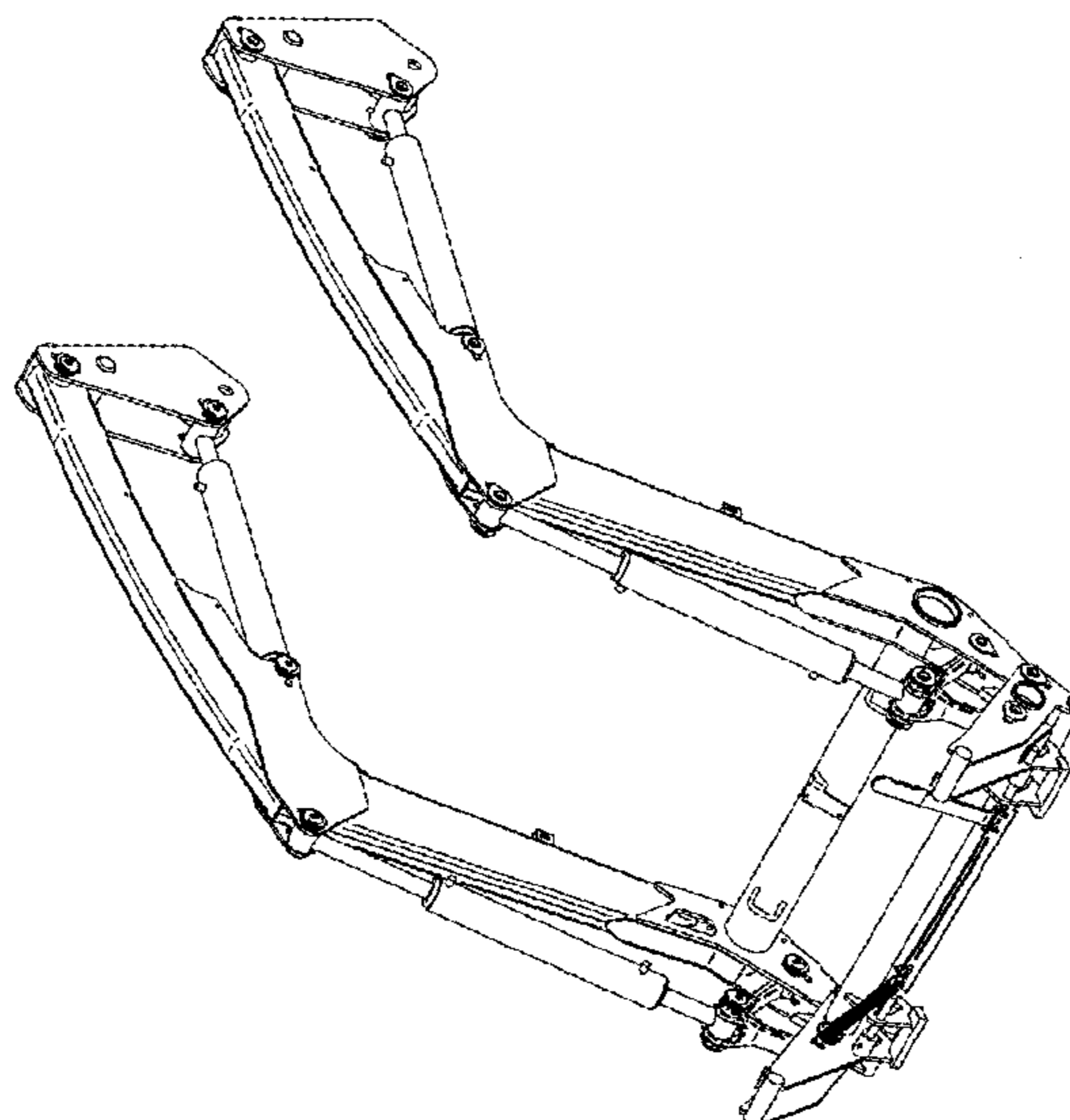
(57) **CLAIM**

The ornamental design for a front loader for a tractor, as shown and described.

**DESCRIPTION**

FIG. 1 is a front perspective view of an embodiment of a front loader for a tractor, showing my new design;  
FIG. 2 is a right side view thereof;  
FIG. 3 is a left side view thereof;  
FIG. 4 is a front view thereof;  
FIG. 5 is a top view thereof;  
FIG. 6 is a bottom view thereof; and,  
FIG. 7 is a rear perspective view thereof.

**1 Claim, 7 Drawing Sheets**



(56)

**References Cited**

U.S. PATENT DOCUMENTS

D562,351	S	2/2008	Higashikawa	
7,451,587	B2	11/2008	Komiya et al.	
D584,749	S	1/2009	Smith et al.	
D595,746	S	7/2009	Iida et al.	
D598,031	S	8/2009	Smith et al.	
D602,508	S	10/2009	Shimomura et al.	
D610,172	S	2/2010	Yukino et al.	
D628,604	S	12/2010	Major	
D646,306	S	10/2011	Bradley et al.	
D649,170	S	11/2011	Barba	
D649,171	S	11/2011	Barba	
D656,164	S	3/2012	Nilsson	
D656,523	S *	3/2012	Nilsson .....	D15/32
D672,372	S *	12/2012	Nilsson .....	D15/32
2003/0118432	A1	6/2003	Lee	
2004/0161325	A1	8/2004	Yoshii et al.	
2004/0228717	A1	11/2004	Perrin et al.	
2006/0073003	A1	4/2006	Fukudome et al.	
2006/0182592	A1	8/2006	Stender et al.	
2006/0245899	A1	11/2006	Lyons et al.	
2007/0020078	A1	1/2007	Frey	

2007/0031233	A1	2/2007	Frey
2007/0217899	A1	9/2007	Sakada
2007/0243052	A1	10/2007	Fukudome et al.
2007/0292255	A1	12/2007	Nilsson
2008/0063502	A1	3/2008	Nilsson
2008/0193269	A1	8/2008	Sakada et al.

OTHER PUBLICATIONS

Office Action dated Mar. 29, 2012 issued in related U.S. Appl. No. 29/413,061.  
 Notice of Allowance dated Apr. 9, 2012 issued in related U.S. Appl. No. 29/413,064.  
 Certificate of Registration No. 000238670-0001 issued Jan. 25, 2005 by the Office for Harmonization in the Internal Market (Trade Marks and Designs).  
 Certificate of Registration No. 000238670-0002 issued Jan. 25, 2005 by the Office for Harmonization in the Internal Market (Trade Marks and Designs).  
 Certificate of Registration No. 000238670-0003 issued Jan. 25, 2005 by the Office for Harmonization in the Internal Market (Trade Marks and Designs).

\* cited by examiner

FIG. 1

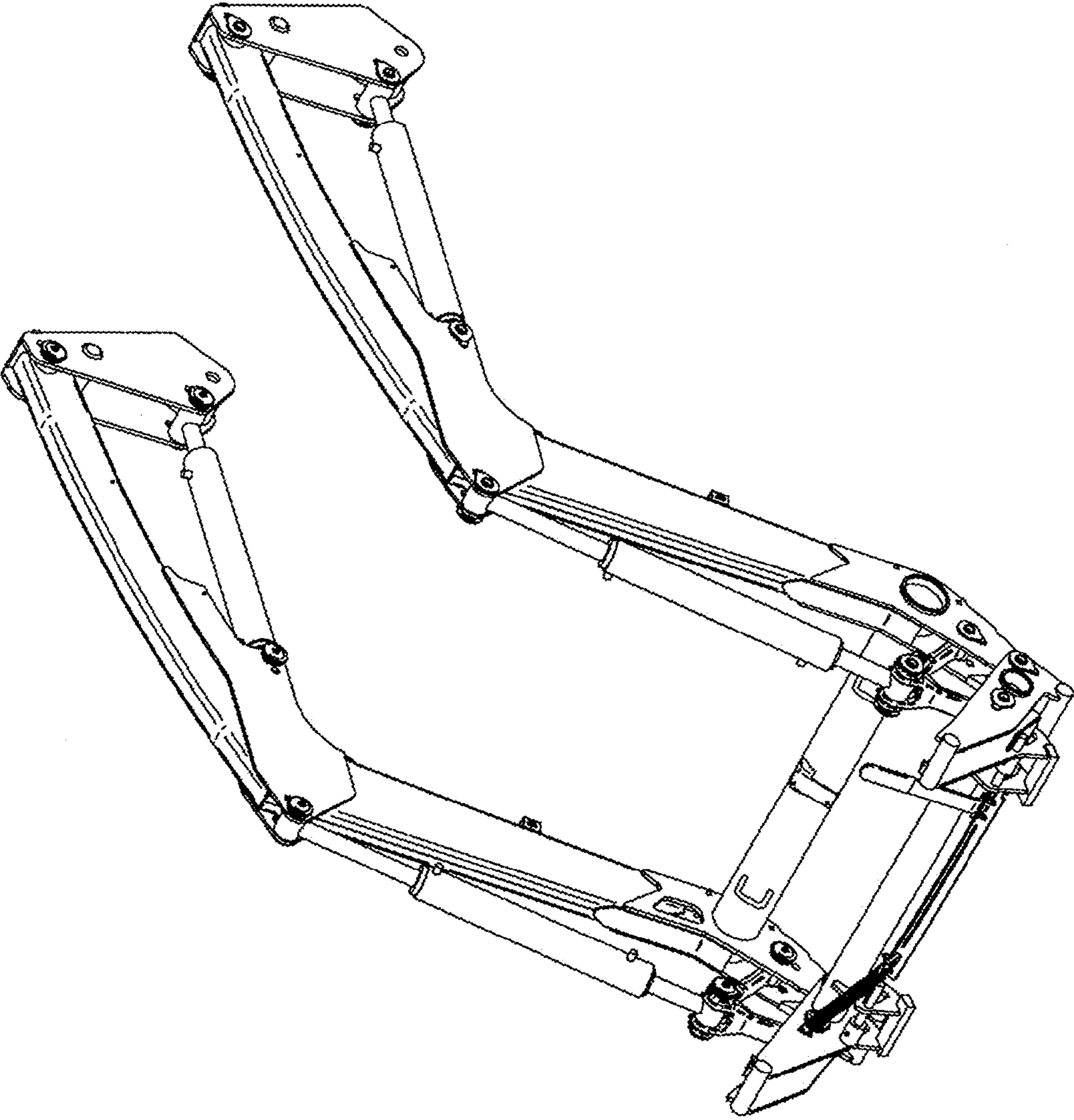


FIG. 2

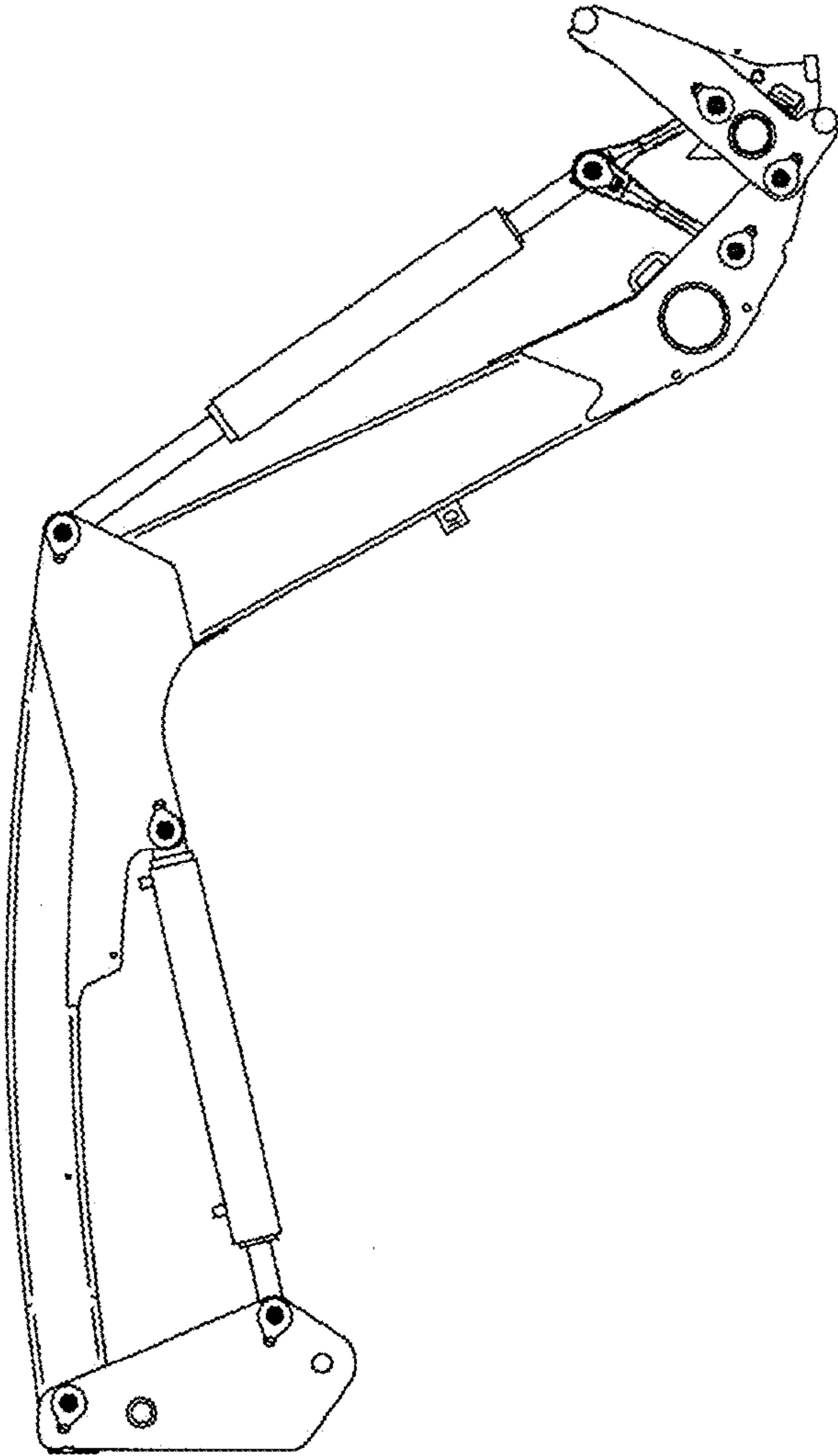




FIG. 3

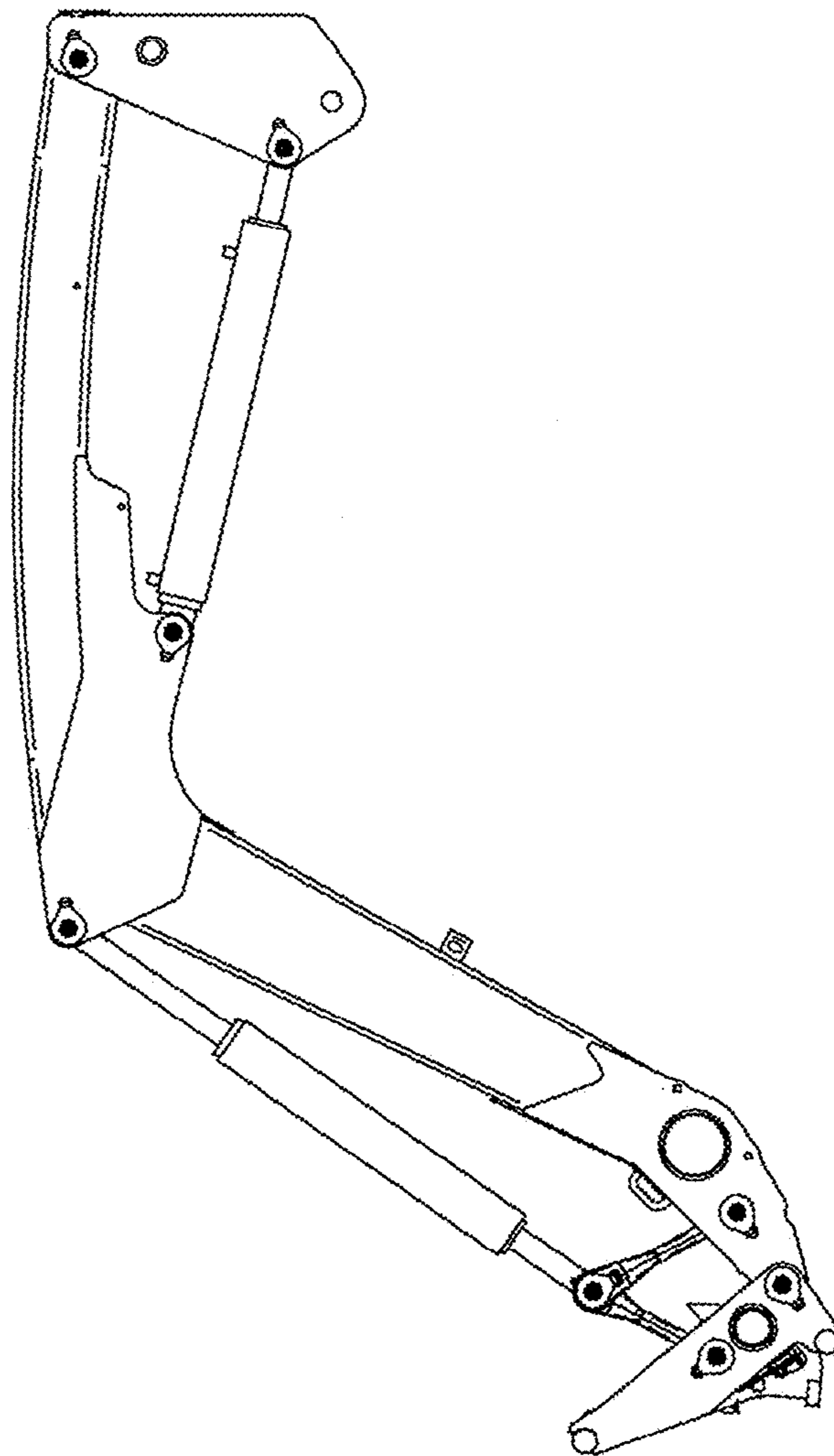


FIG. 4

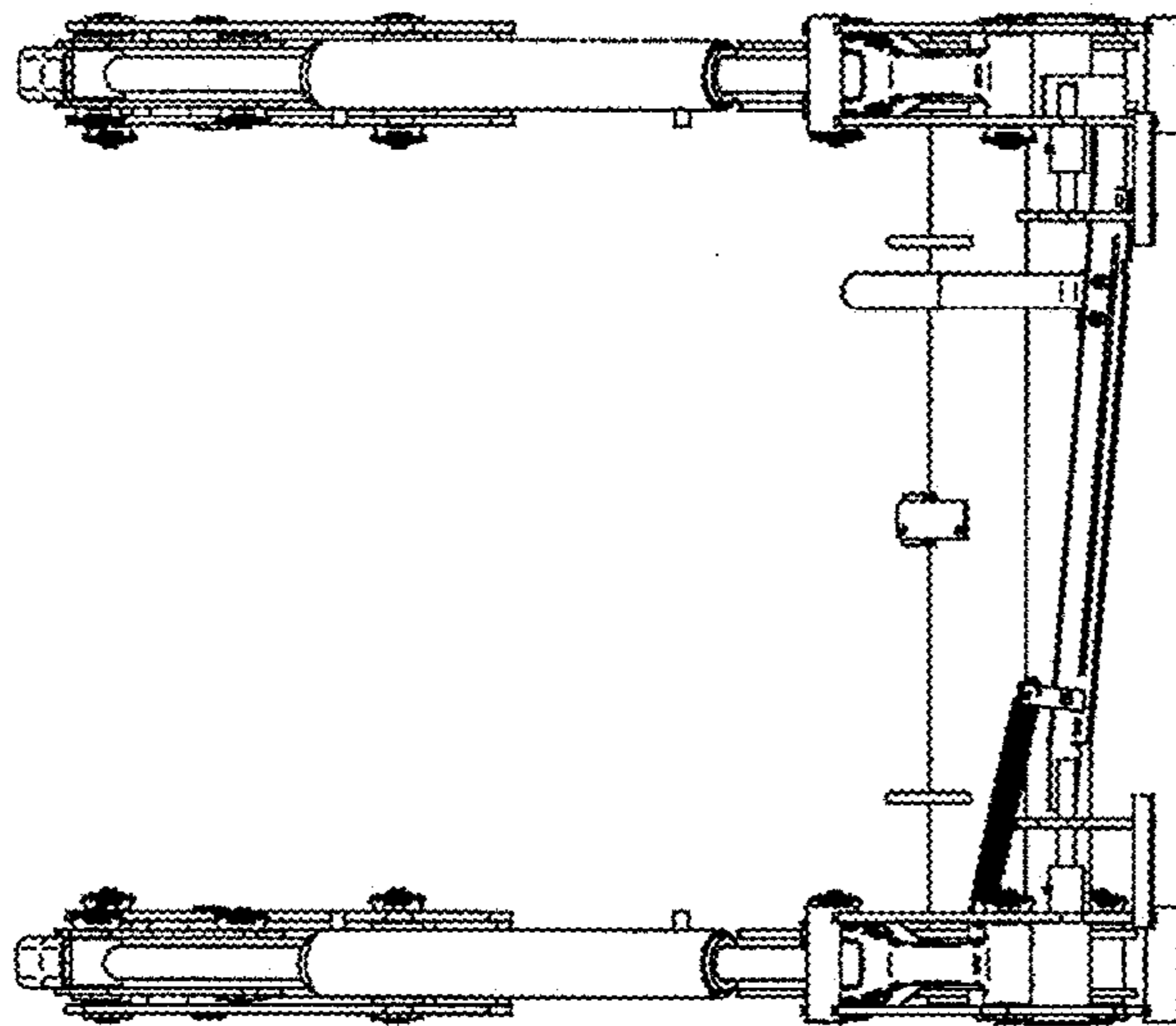


FIG. 5

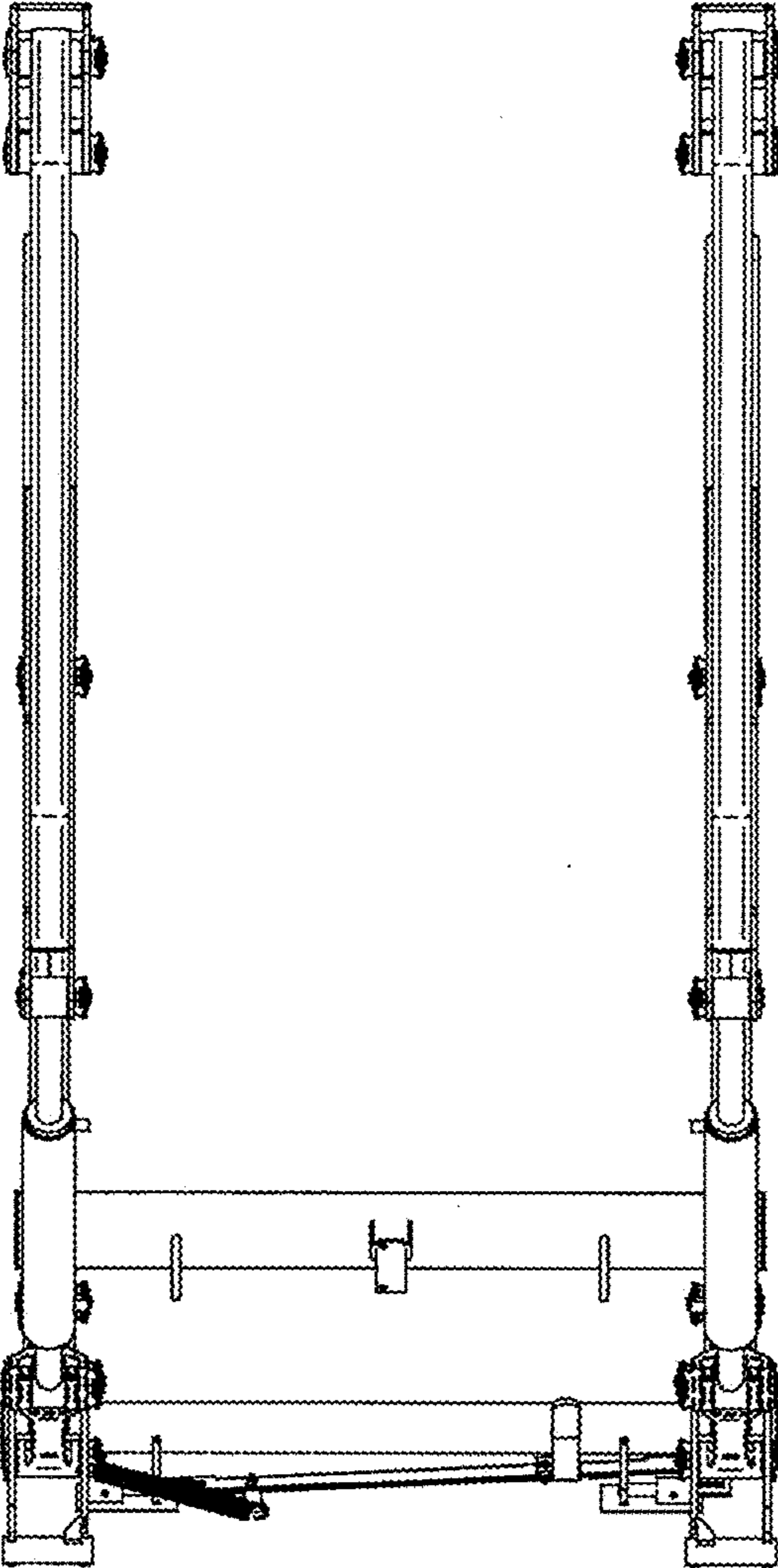


FIG. 6

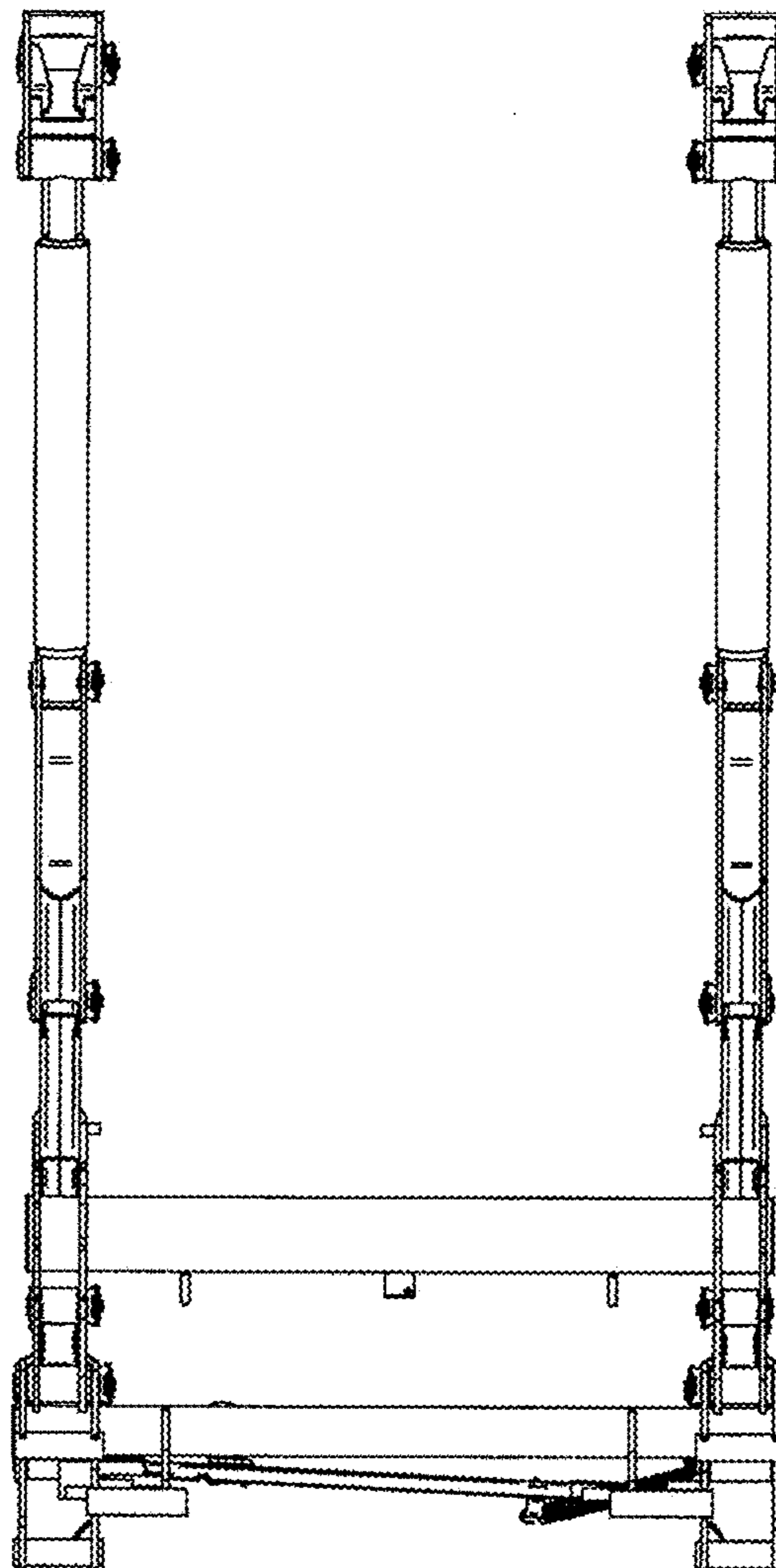




FIG. 7

