



US00D739443S

(12) **United States Design Patent**  
**Larsson et al.**

(10) **Patent No.:** **US D739,443 S**

(45) **Date of Patent:** **\*\* Sep. 22, 2015**

(54) **FUEL DISPENSING UNIT**

(71) Applicant: **Wayne Fueling Systems Sweden AB,**  
Malmö (SE)

(72) Inventors: **Bengt I. Larsson,** Malmö (SE); **Eva-Lie Edvardsson,** Malmö (SE)

(73) Assignee: **Wayne Fueling Systems Sweden AB,**  
Malmö (SE)

(\*\*) Term: **14 Years**

(21) Appl. No.: **29/491,000**

(22) Filed: **May 15, 2014**

(51) **LOC (10) Cl.** ..... **15-02**

(52) **U.S. Cl.**  
USPC ..... **D15/9.2**

(58) **Field of Classification Search**  
USPC ..... D15/7-9.3; D23/231, 232, 225; 417/60,  
417/235, 265, 321, 355, 358, 363, 359,  
417/410.1, 415-416, 405, 900; 60/408,  
60/412; 184/26-37; 415/140-147;  
123/495, 509; 222/27, 74  
CPC ..... B67D 5/16; B67D 5/08; B67D 5/22;  
B67D 5/12; B67D 5/06; B67D 7/12  
See application file for complete search history.

(56) **References Cited**

U.S. PATENT DOCUMENTS

5,630,528 A \* 5/1997 Nanaji ..... 222/1  
D417,226 S \* 11/1999 Wilson et al. .... D15/9.2

(Continued)

Primary Examiner — Ralf Seifert

(74) *Attorney, Agent, or Firm* — Mintz Levin Cohn Ferris Glovsky and Popeo, P.C.

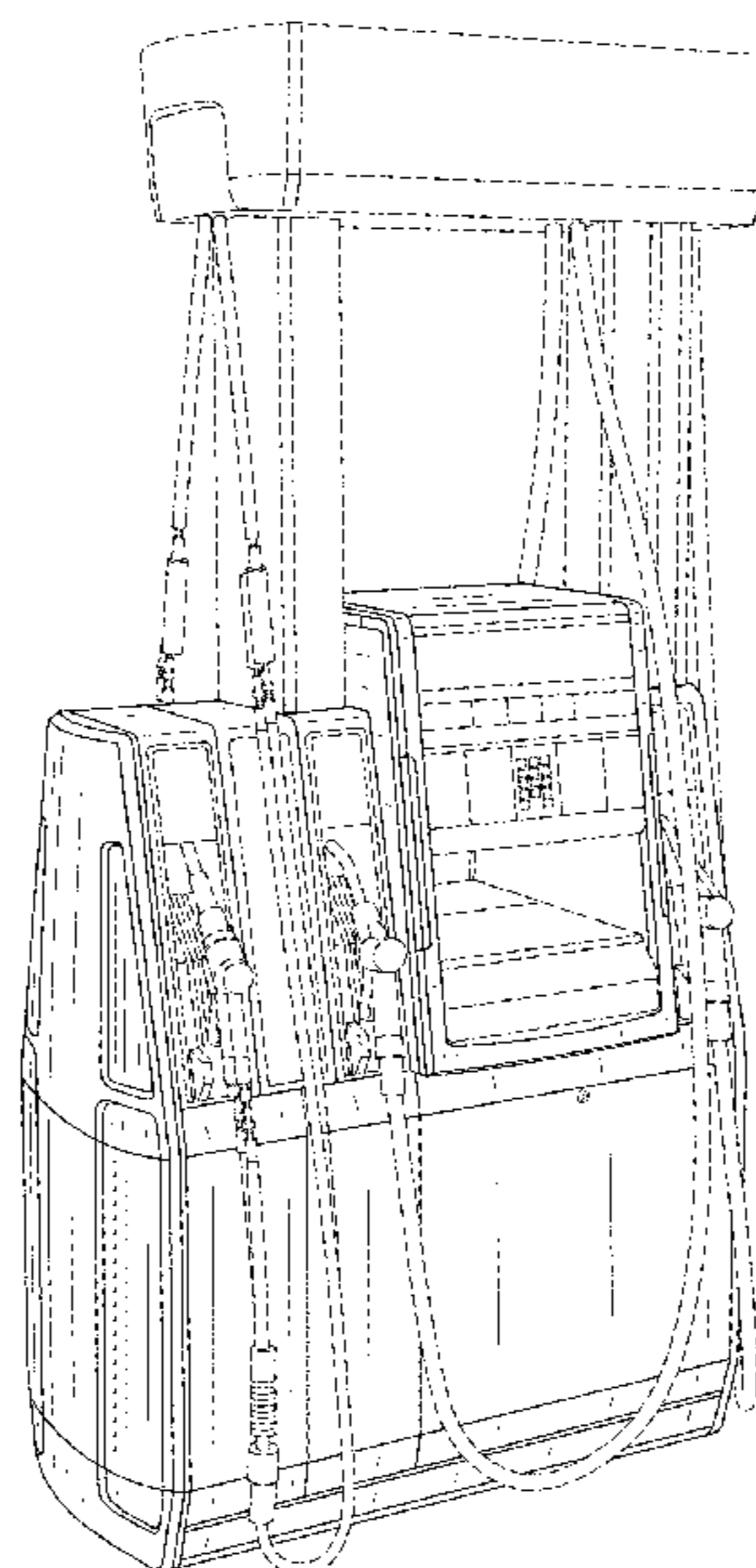
(57) **CLAIM**  
The ornamental design for a fuel dispensing unit, as shown and described.

**DESCRIPTION**

FIG. 1 is a perspective view of a fuel dispensing unit showing our new design;  
FIG. 2 is a front view of the fuel dispensing unit of FIG. 1;  
FIG. 3 is a back side view of fuel dispensing unit of FIG. 1;  
FIG. 4 is a left side view of the fuel dispensing unit of FIG. 1;  
FIG. 5 is a right side view of the fuel dispensing unit of FIG. 1;  
FIG. 6 is a top side view of the fuel dispensing unit of FIG. 1;  
FIG. 7 is a perspective view of a fuel dispensing unit of FIG. 1, but with the non-claimed environmental matter shown in a different configuration;  
FIG. 8 is a front view of the fuel dispensing unit of FIG. 7;  
FIG. 9 is a back side view of fuel dispensing unit of FIG. 7;  
FIG. 10 is a left side view of the fuel dispensing unit of FIG. 7;  
FIG. 11 is a right side view of the fuel dispensing unit of FIG. 7;  
FIG. 12 is a top side view of the fuel dispensing unit of FIG. 7;  
FIG. 13 is a perspective view of second embodiment of a fuel dispensing unit showing our new design;  
FIG. 14 is a front view of the fuel dispensing unit of FIG. 13;  
FIG. 15 is a back side view of fuel dispensing unit of FIG. 13;  
FIG. 16 is a left side view of the fuel dispensing unit of FIG. 13;  
FIG. 17 is a right side view of the fuel dispensing unit of FIG. 13; and,  
FIG. 18 is a top side view of the fuel dispensing unit of FIG. 13.

The broken lines shown in all of the drawing figures is for illustrative purposes only and forms no part of the claimed design.

**1 Claim, 18 Drawing Sheets**



(56)

**References Cited**

U.S. PATENT DOCUMENTS

D421,612 S \* 3/2000 Wilson et al. .... D15/9.2  
D426,555 S \* 6/2000 Wilson et al. .... D15/9.2  
D429,740 S \* 8/2000 Wilson et al. .... D15/9.2  
6,173,865 B1 \* 1/2001 Loynes ..... 222/71

D440,579 S \* 4/2001 Wilson et al. .... D15/9.2  
6,247,615 B1 \* 6/2001 Taylor ..... 222/59  
D677,284 S \* 3/2013 Helgesson et al. .... D15/9.2  
D688,274 S \* 8/2013 Schmelzer et al. .... D15/9.2  
D688,275 S \* 8/2013 Schmelzer et al. .... D15/9.2

\* cited by examiner

FIG. 1

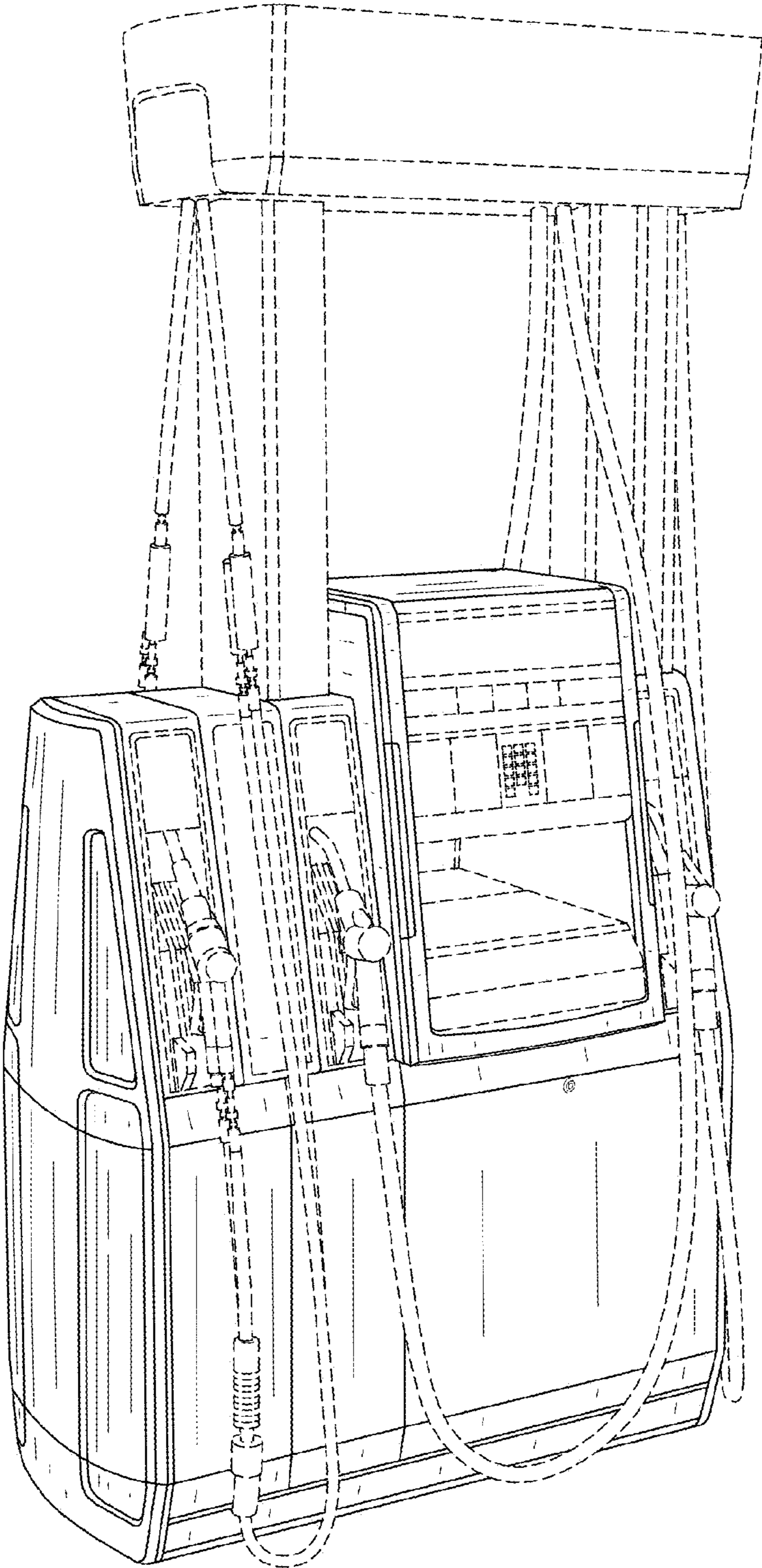


FIG. 2

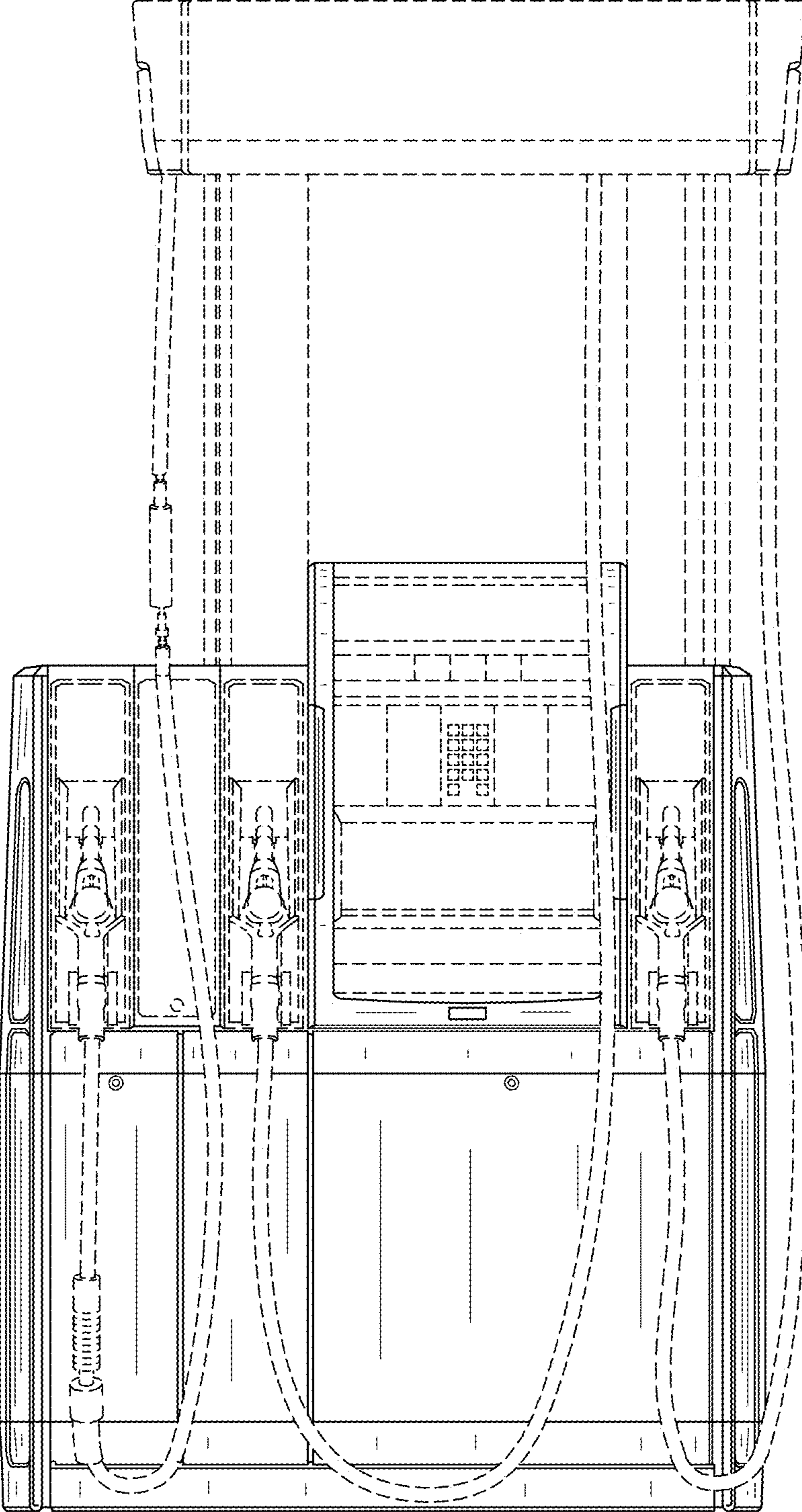




FIG. 3

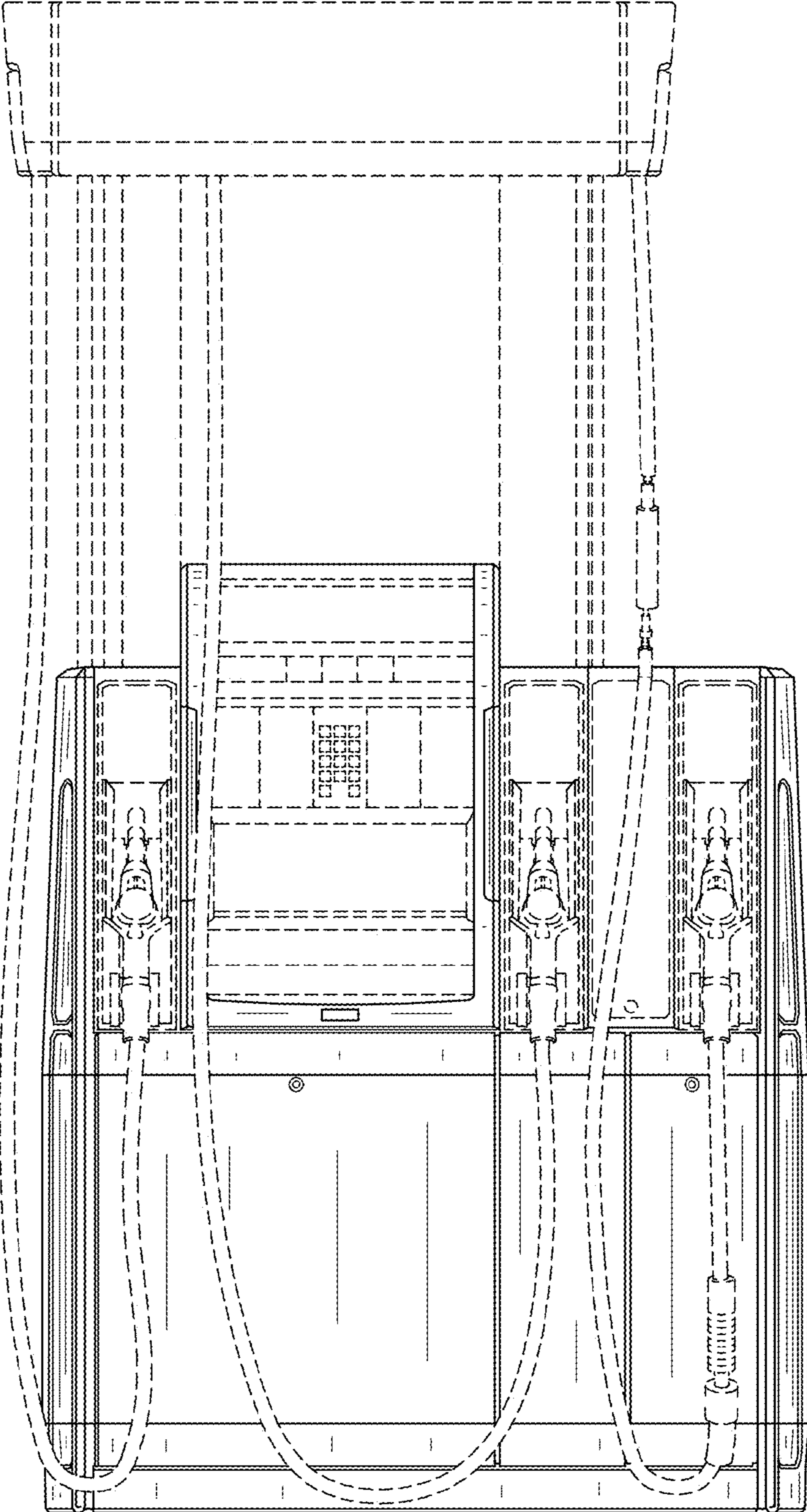


FIG. 4

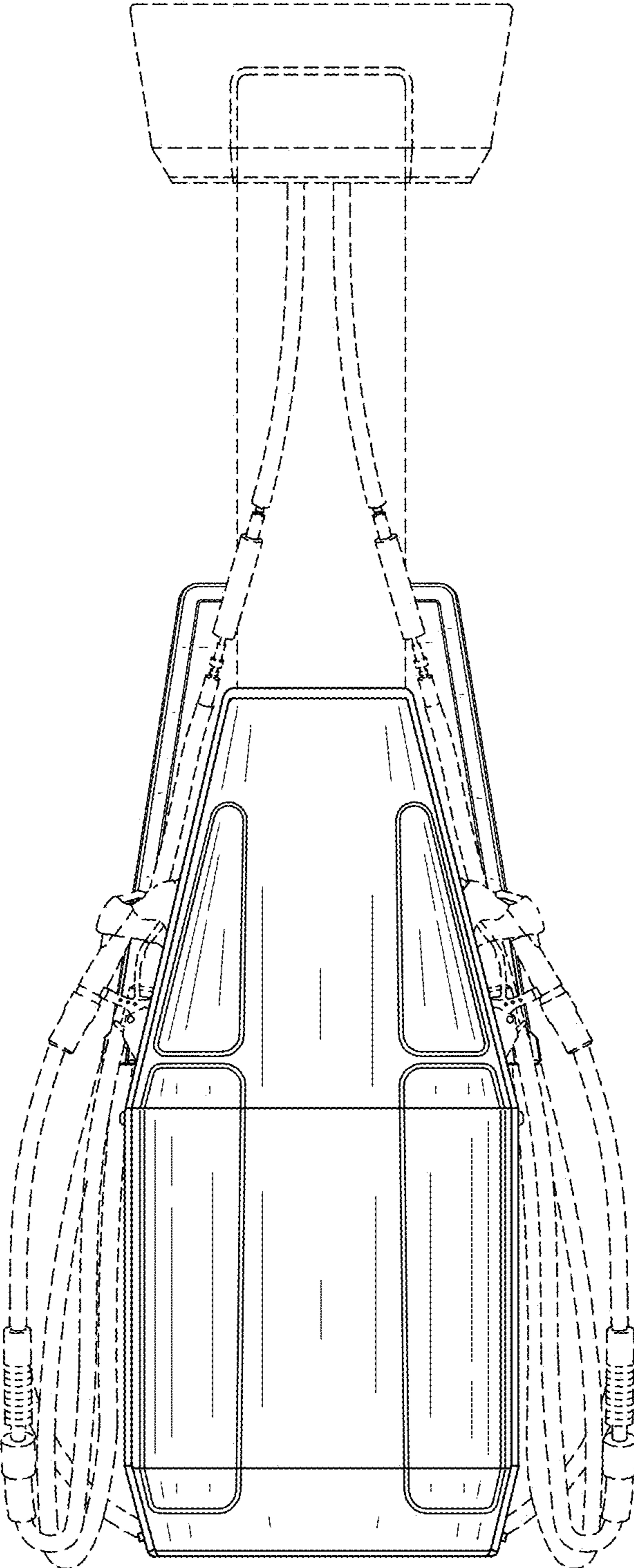


FIG. 5

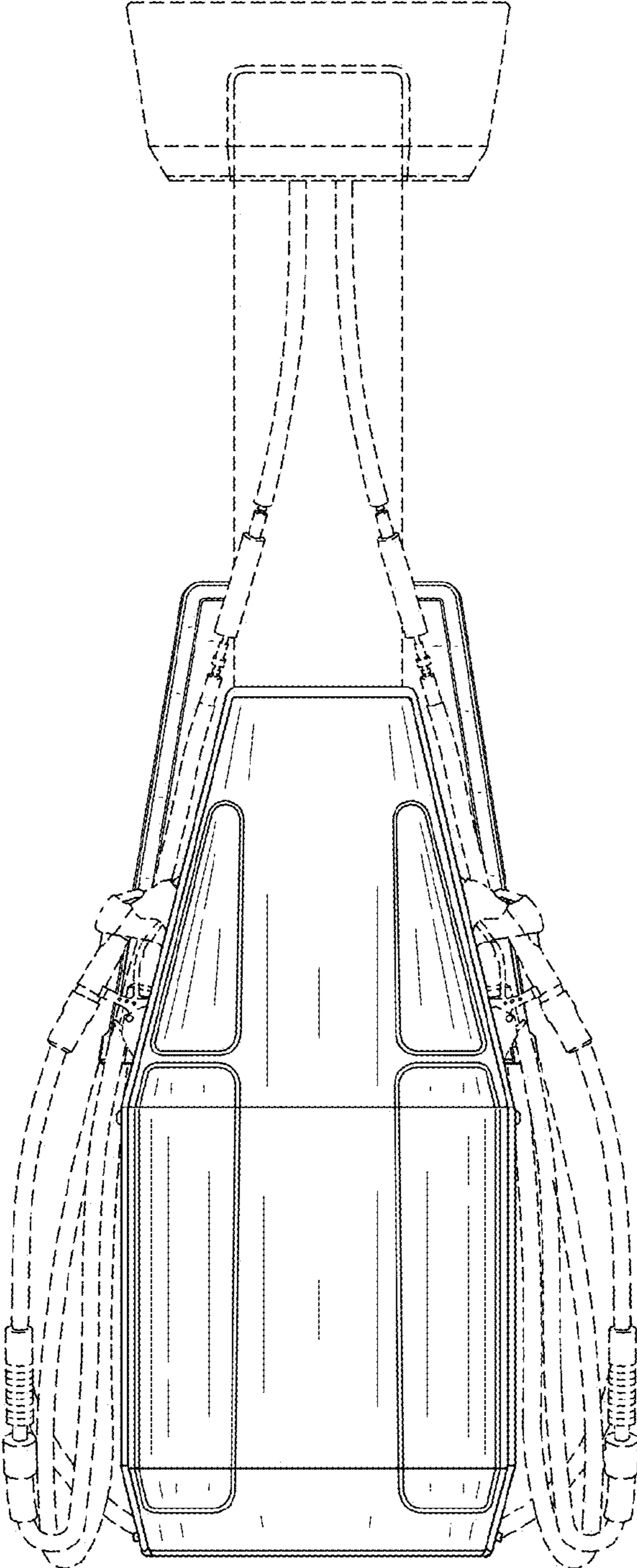


FIG. 6

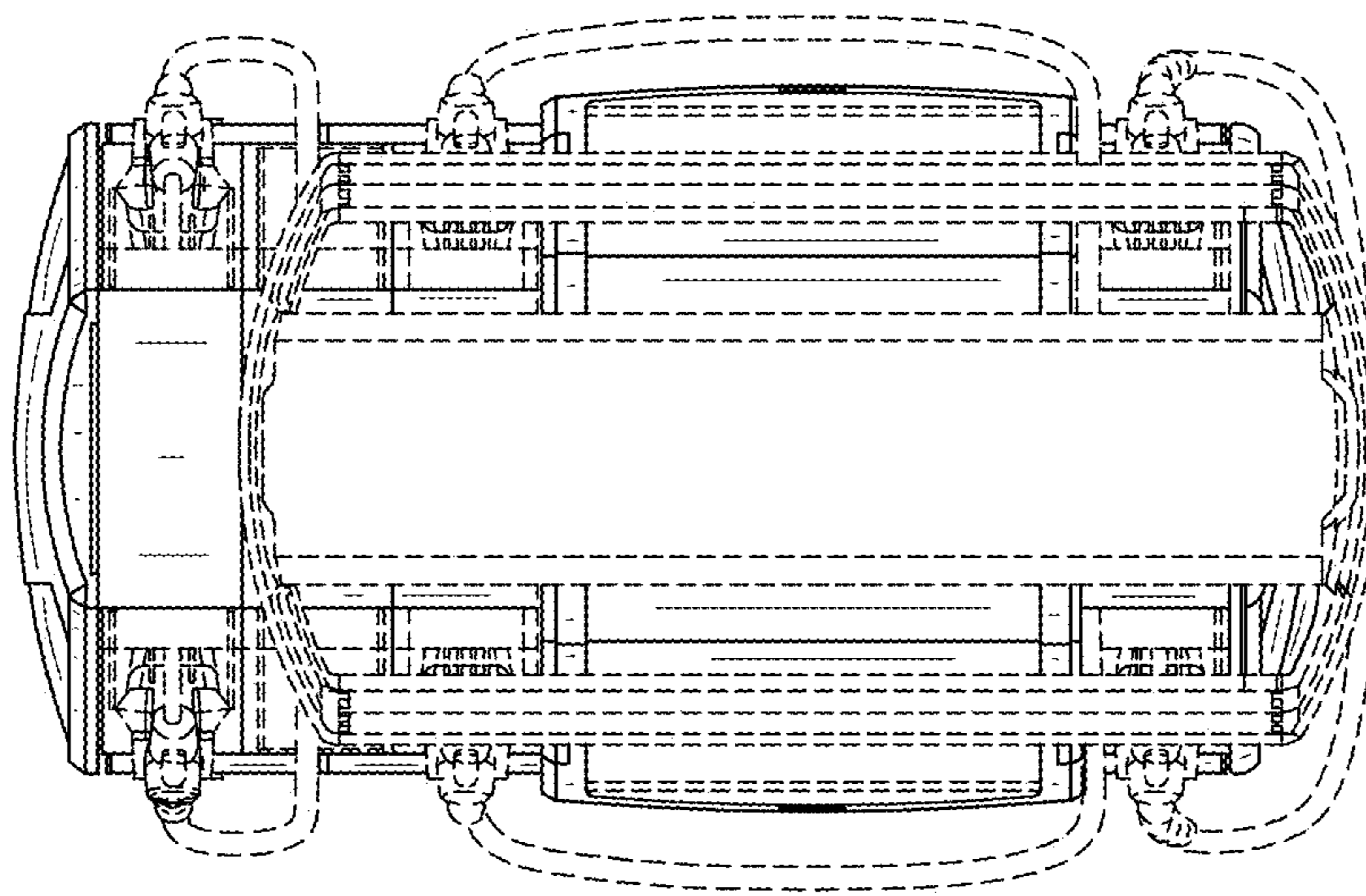




FIG. 7

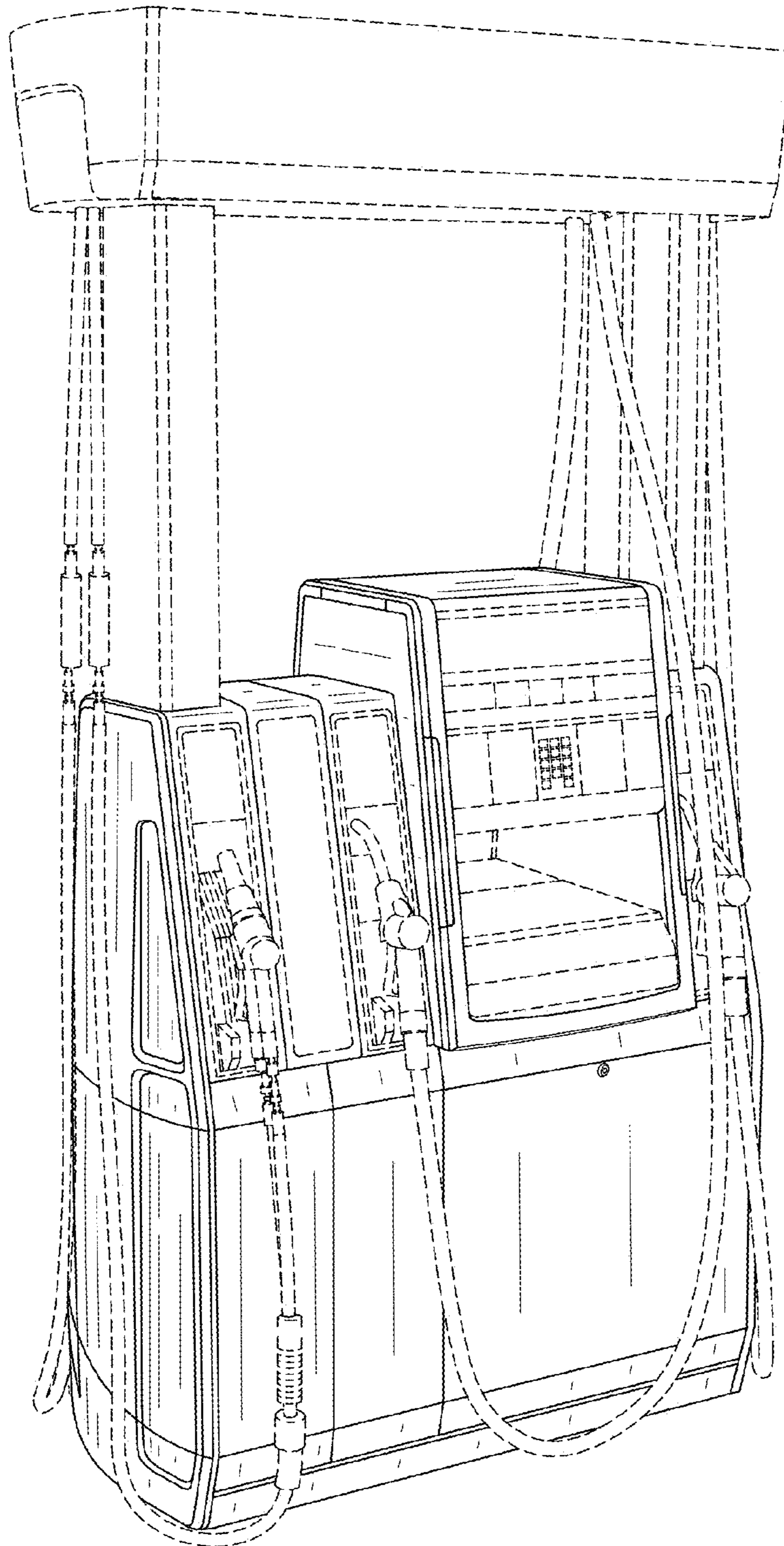


FIG. 8

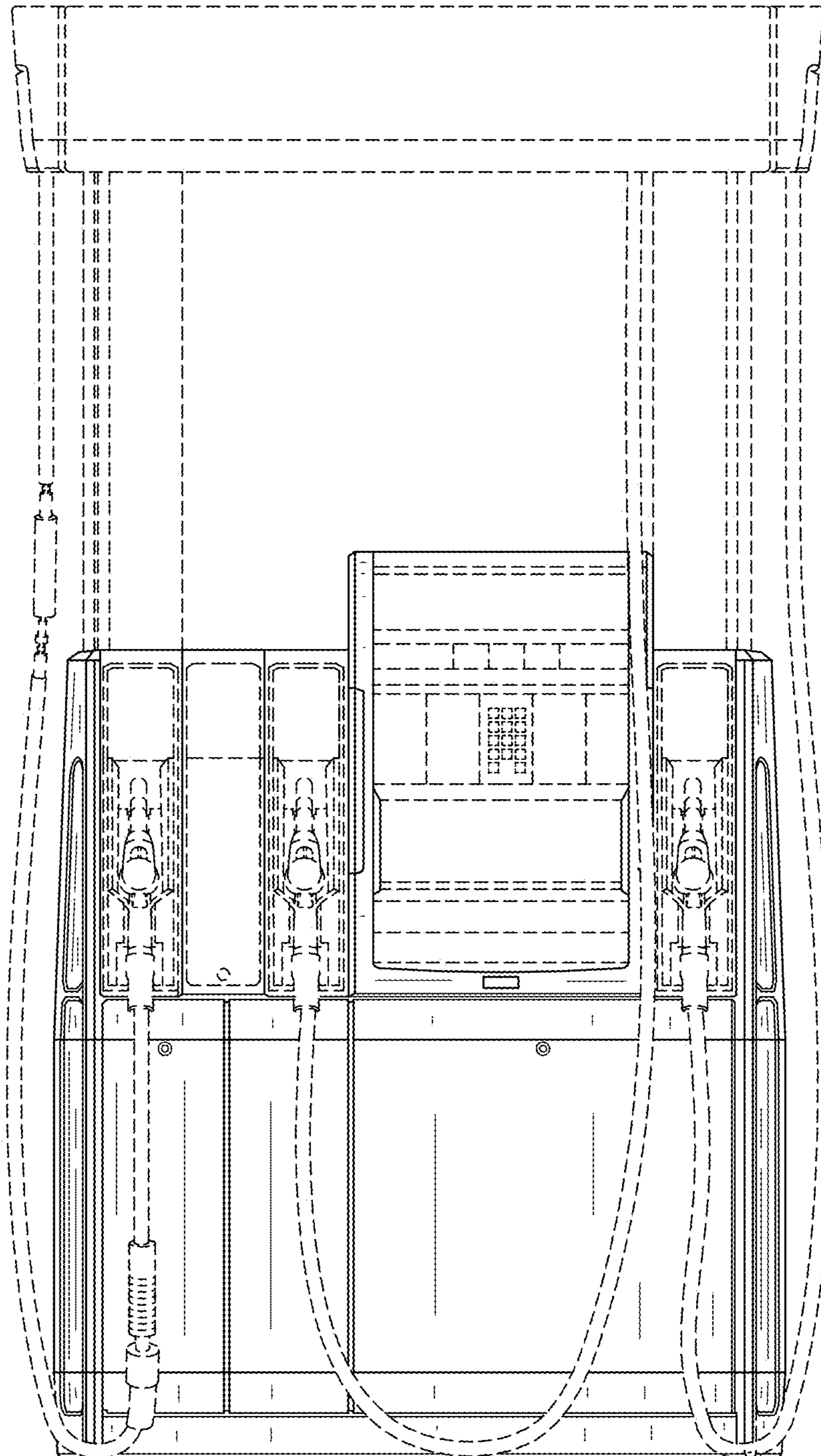


FIG. 9

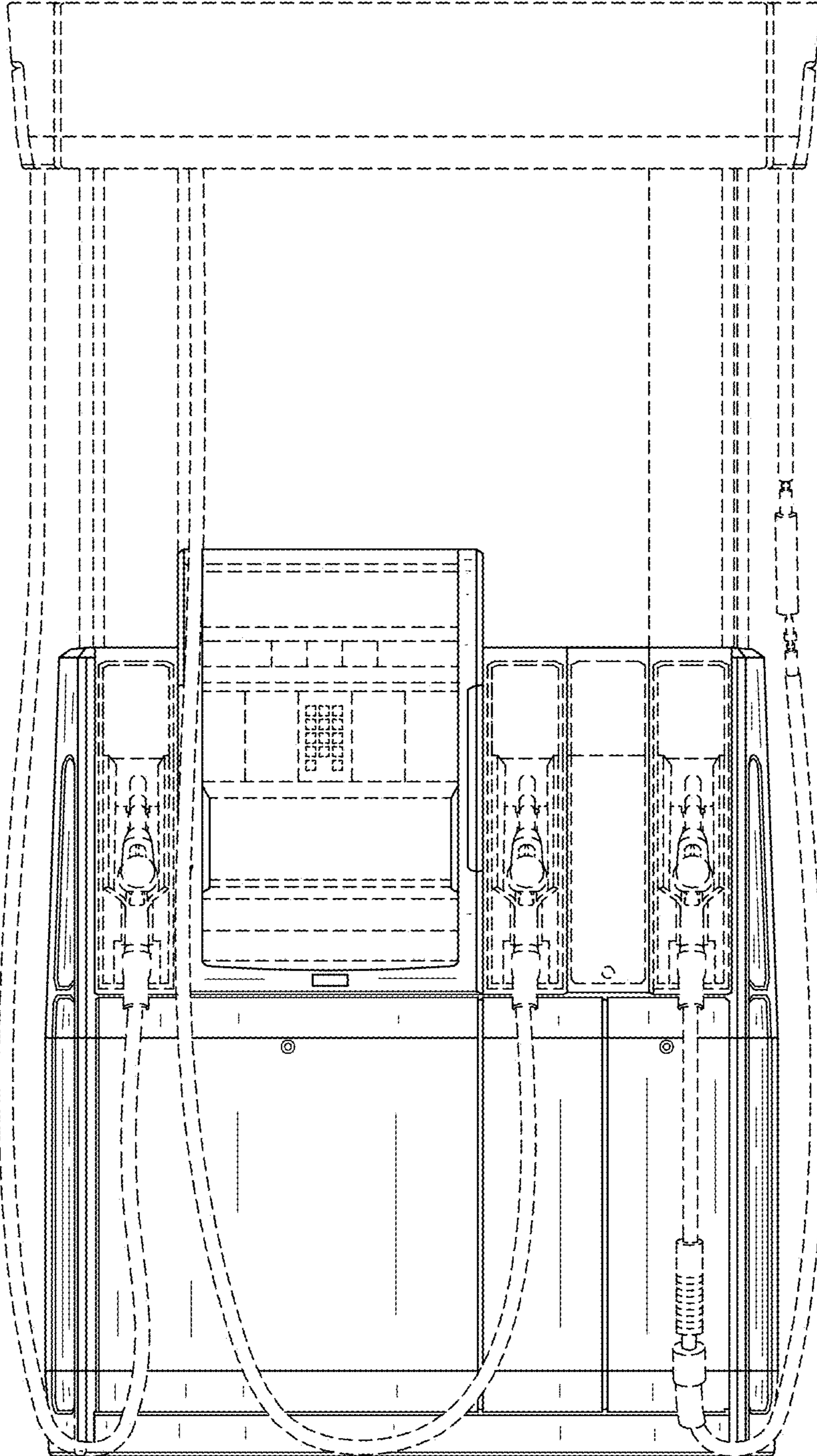


FIG. 10

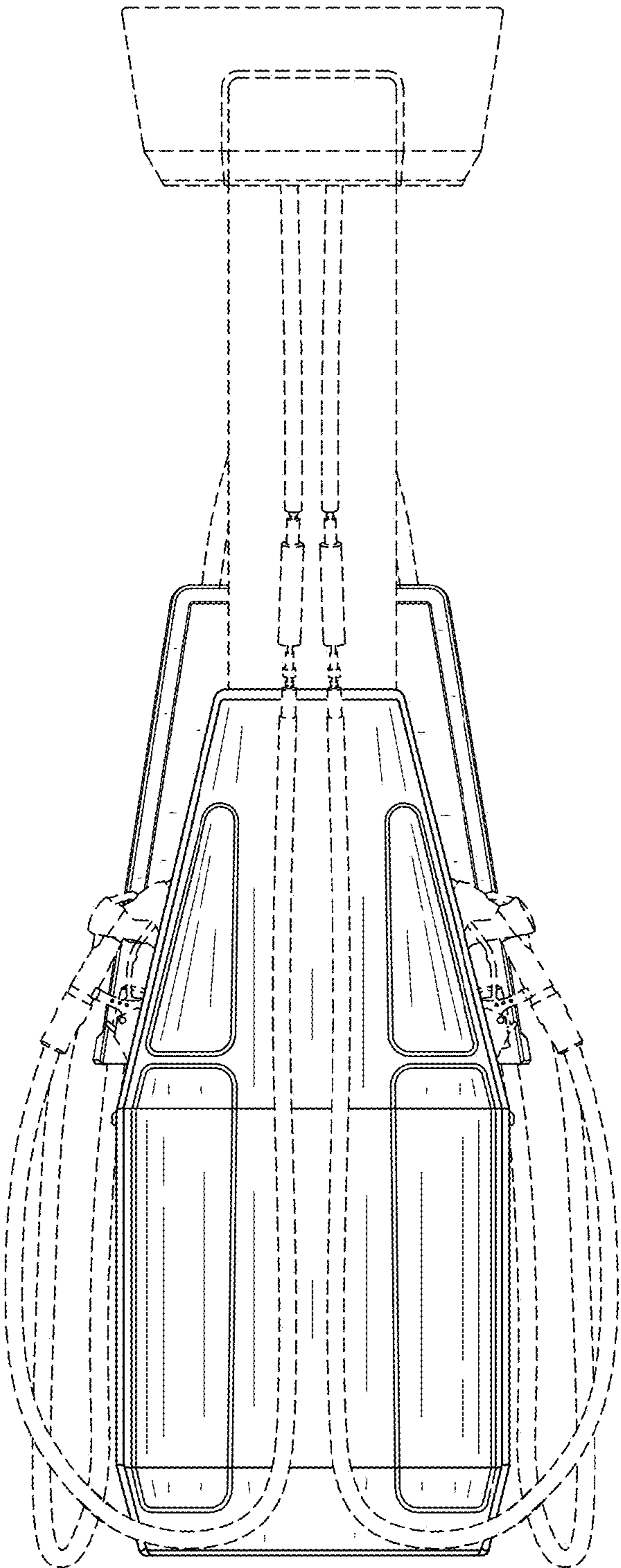




FIG. 11

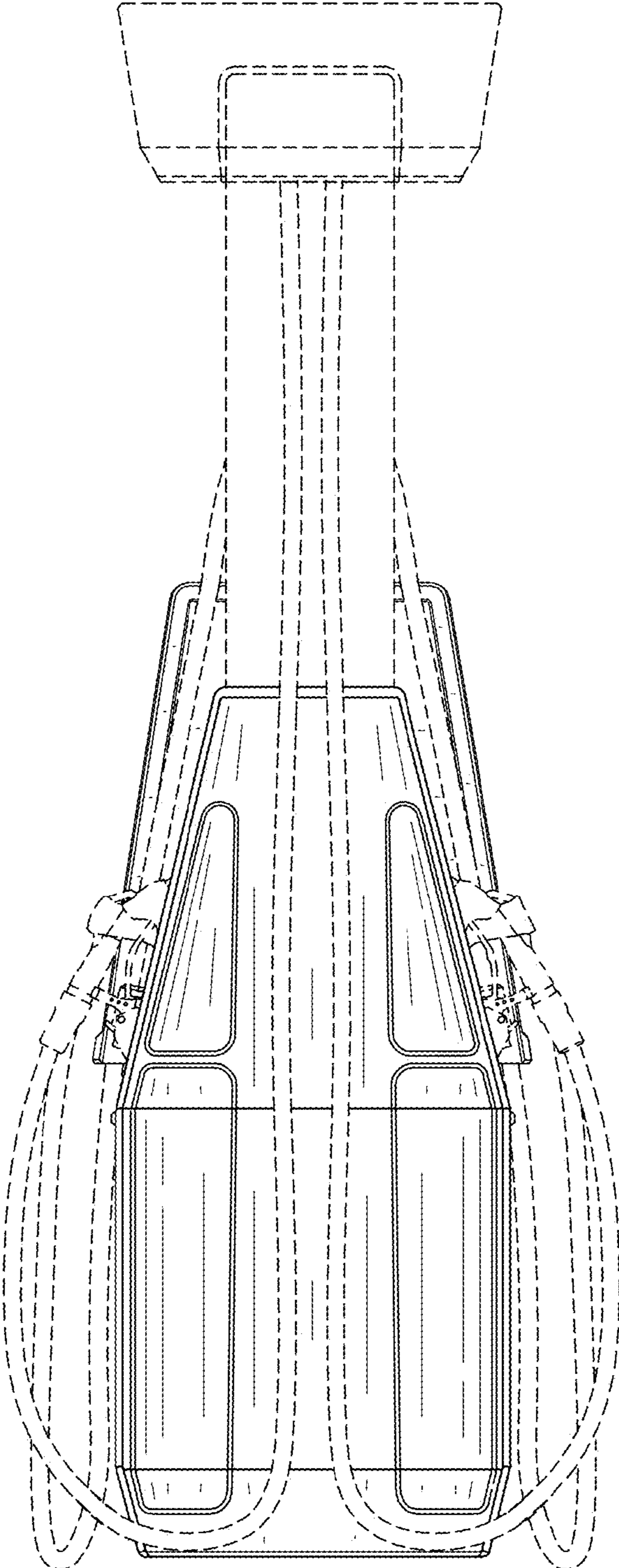


FIG. 12

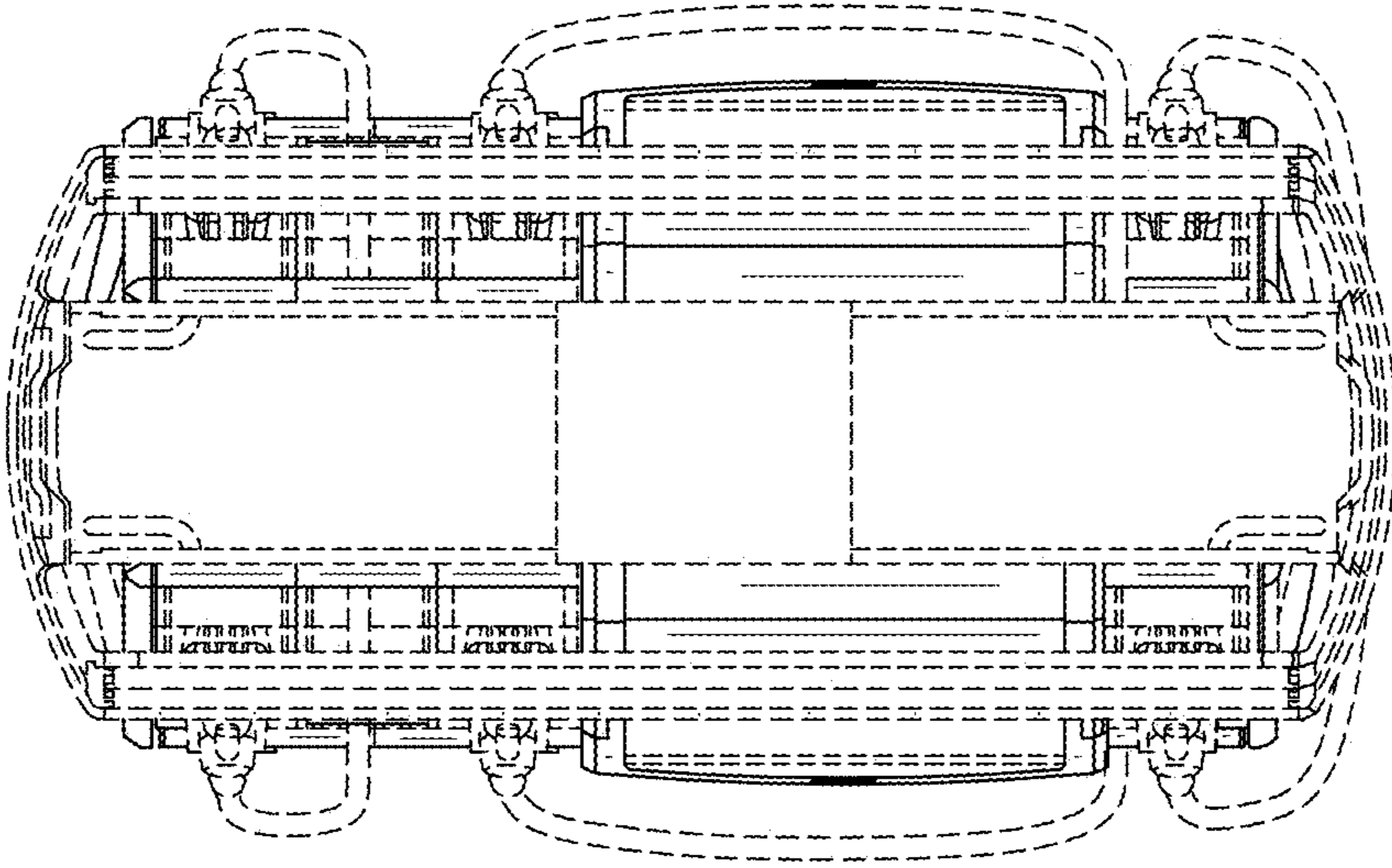


FIG. 13

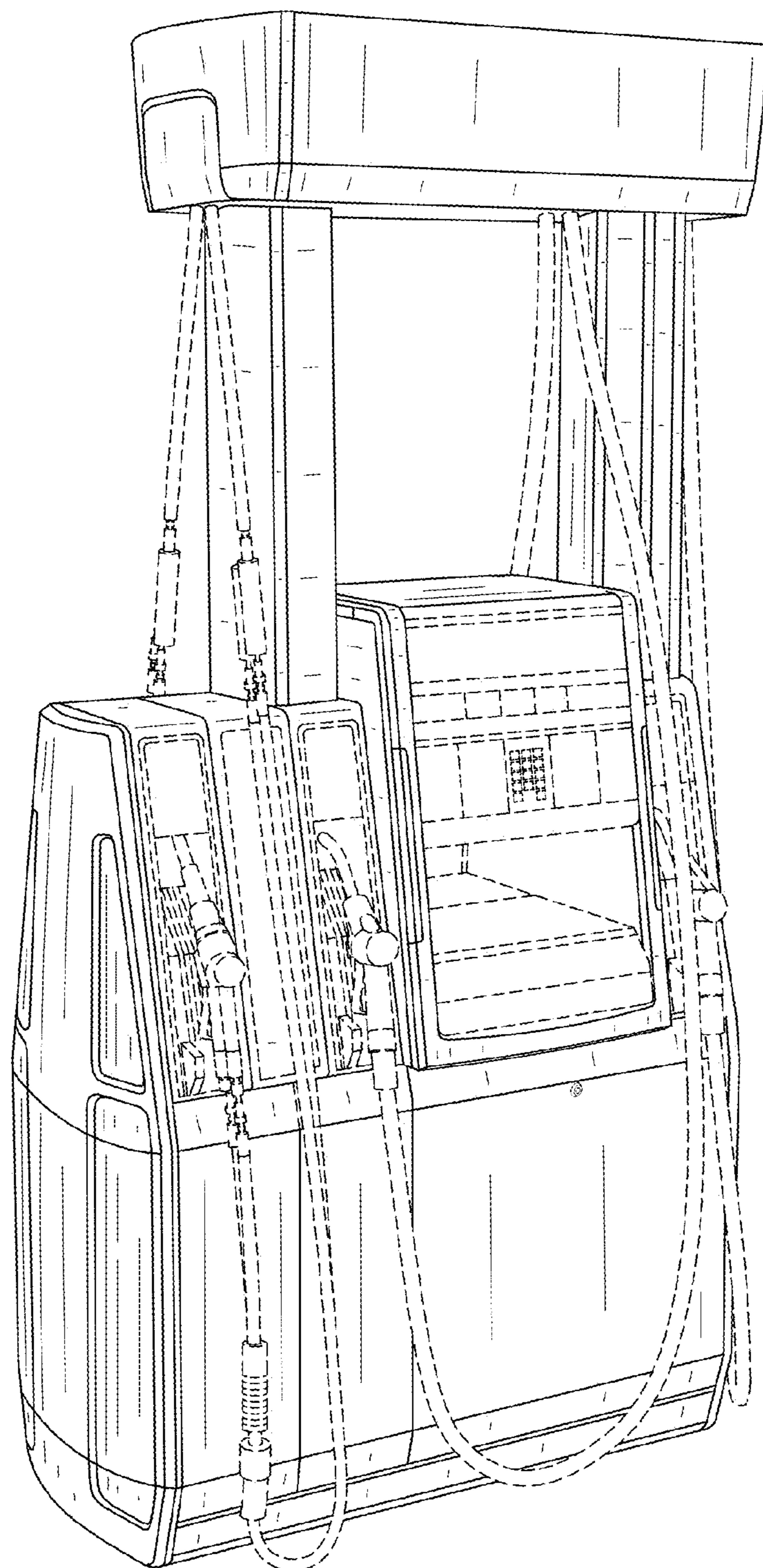


FIG. 14

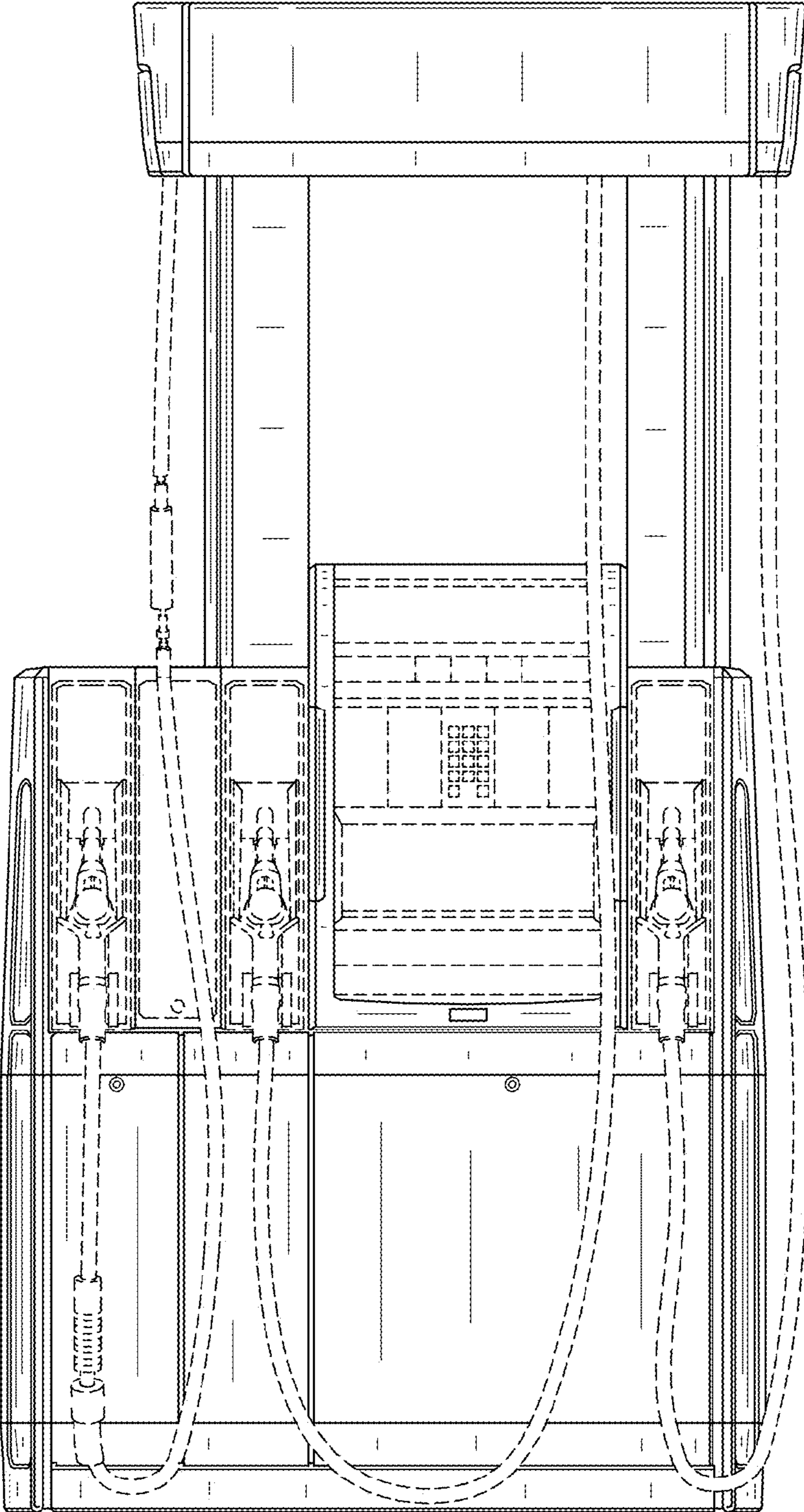




FIG. 15

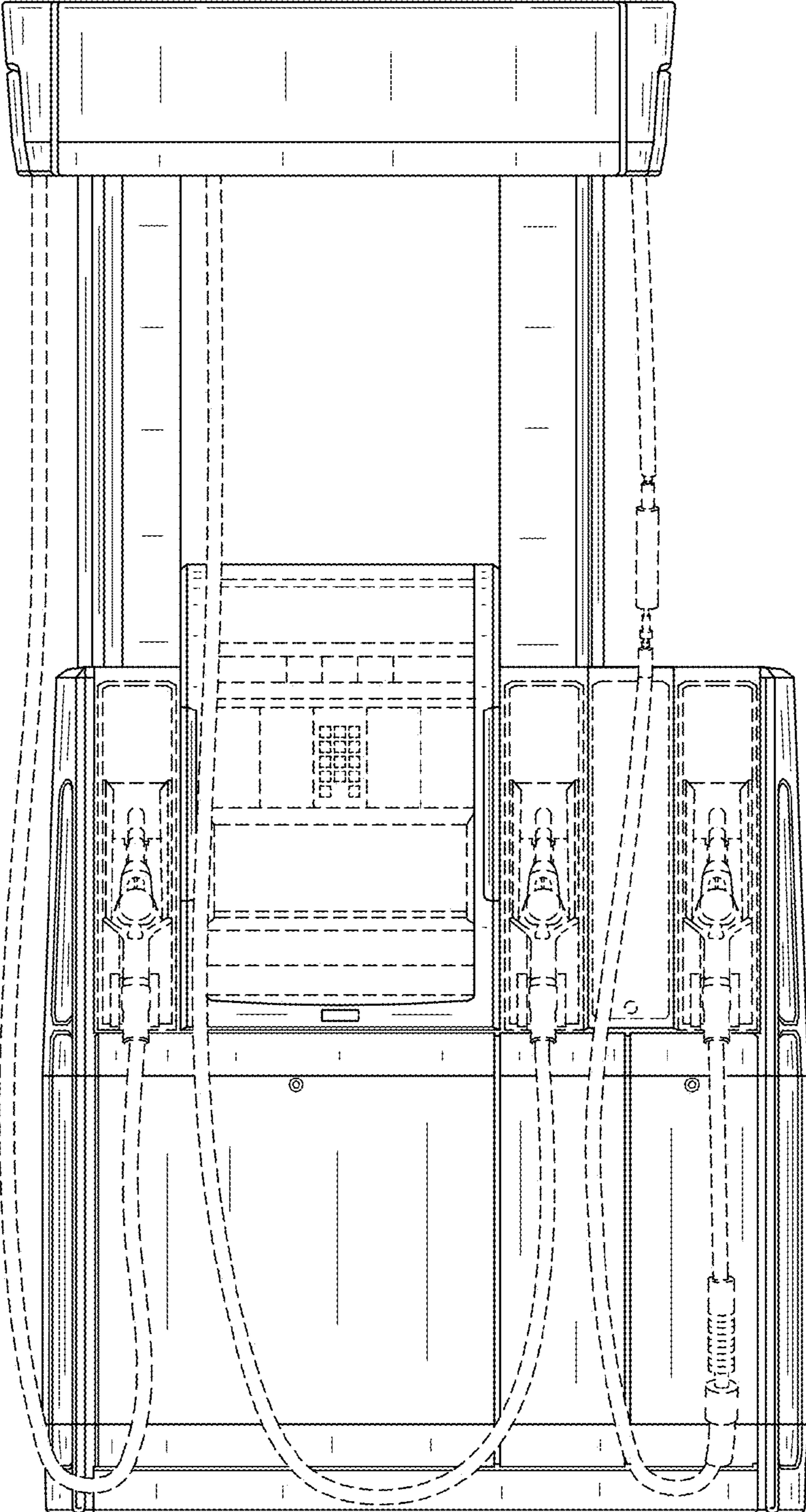


FIG. 16

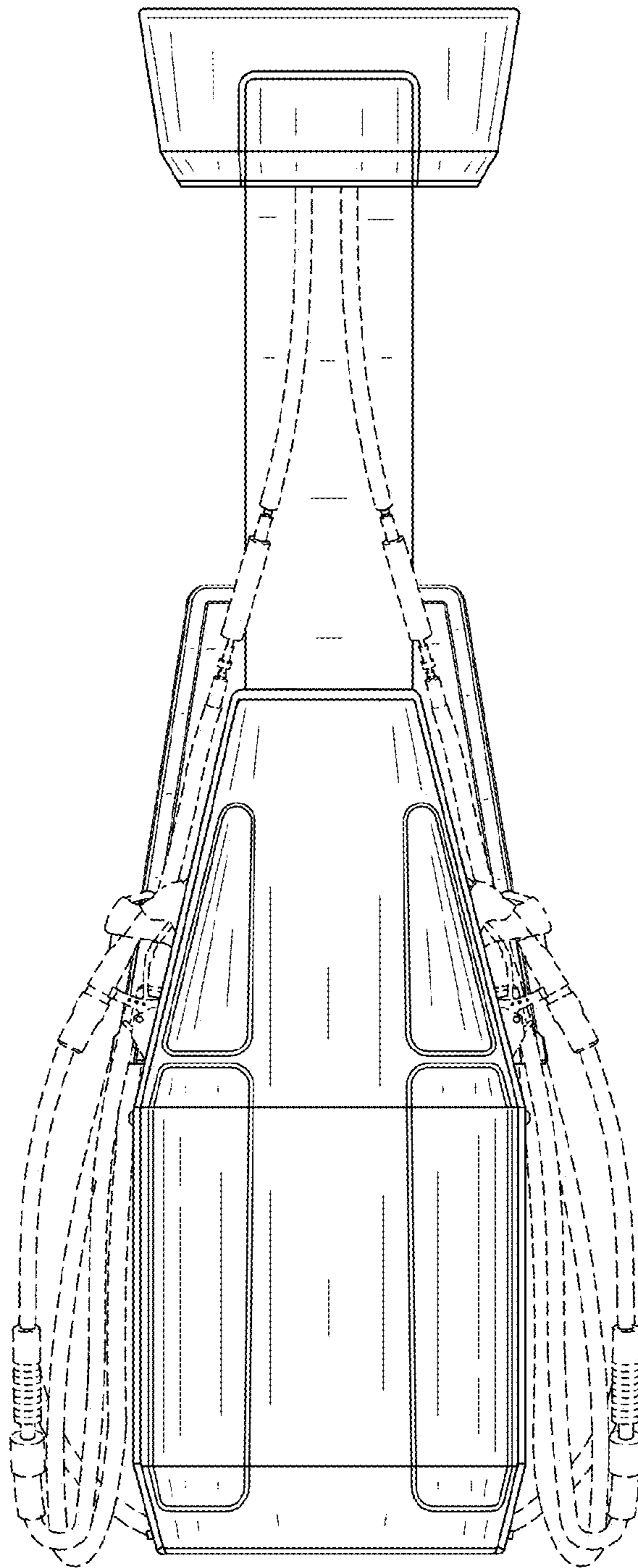


FIG. 17

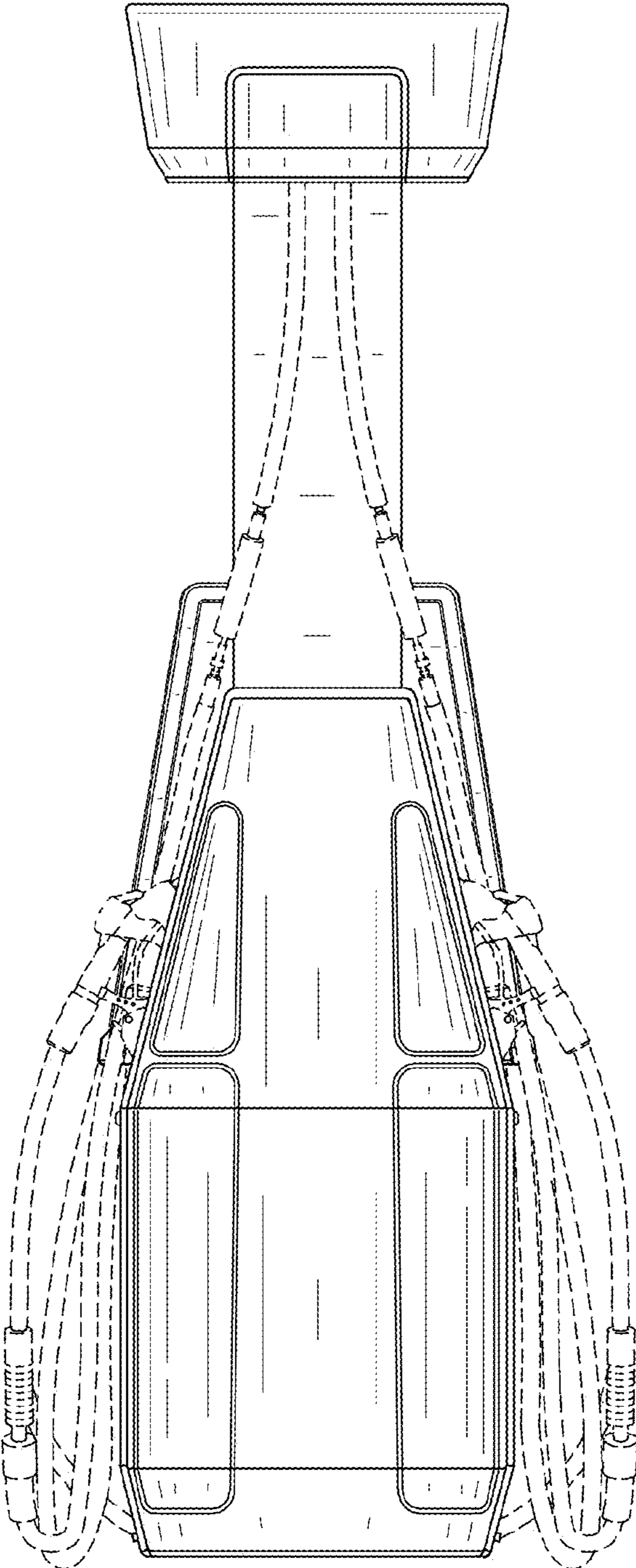


FIG. 18

