



US00D739442S

(12) **United States Design Patent**
Schroeder et al.

(10) **Patent No.:** **US D739,442 S**

(45) **Date of Patent:** **** Sep. 22, 2015**

(54) **NOZZLE SPLASH GUARD DESIGN**

(71) Applicants: **Timothy G. Schroeder**, St. Louis, MO (US); **Arthur C. Fink, Jr.**, Lonedell, MO (US)

(72) Inventors: **Timothy G. Schroeder**, St. Louis, MO (US); **Arthur C. Fink, Jr.**, Lonedell, MO (US)

(73) Assignee: **Husky Corporation**, Pacific, MO (US)

(**) Term: **14 Years**

(21) Appl. No.: **29/463,869**

(22) Filed: **Mar. 21, 2014**

(51) **LOC (10) Cl.** **15-02**

(52) **U.S. Cl.**
USPC **D15/9.1**

(58) **Field of Classification Search**
USPC D15/7-9, 9.1, 9.2, 9.3; D9/434, 435, D9/447; 141/208, 206, 392
CPC B65B 1/04
See application file for complete search history.

(56) **References Cited**

U.S. PATENT DOCUMENTS

1,938,479	A *	12/1933	Baker, Jr.	222/539
3,502,121	A	3/1970	Moore et al.	
3,719,215	A	3/1973	Murray	
3,982,571	A	9/1976	Fenton et al.	
4,060,110	A	11/1977	Bower	
4,143,689	A	3/1979	Conley et al.	
D261,674	S *	11/1981	Nice	D23/226
4,697,624	A	10/1987	Bower et al.	
D293,462	S	12/1987	Bower et al.	
5,000,360	A *	3/1991	Lown et al.	222/521

5,067,639	A *	11/1991	Maguire et al.	222/521
5,121,777	A	6/1992	Leininger et al.	
5,645,116	A *	7/1997	McDonald	141/208
D420,364	S *	2/2000	Fischer et al.	D15/9.1
7,406,988	B2	8/2008	Mitchell	
8,066,037	B2	11/2011	Lawrence et al.	
D668,953	S *	10/2012	Maxwell	D9/447
8,800,611	B2 *	8/2014	Tsiberidis	141/350
D719,826	S *	12/2014	Burnside	D9/447

* cited by examiner

Primary Examiner — Ralf Seifert

(74) *Attorney, Agent, or Firm* — Paul M. Denk

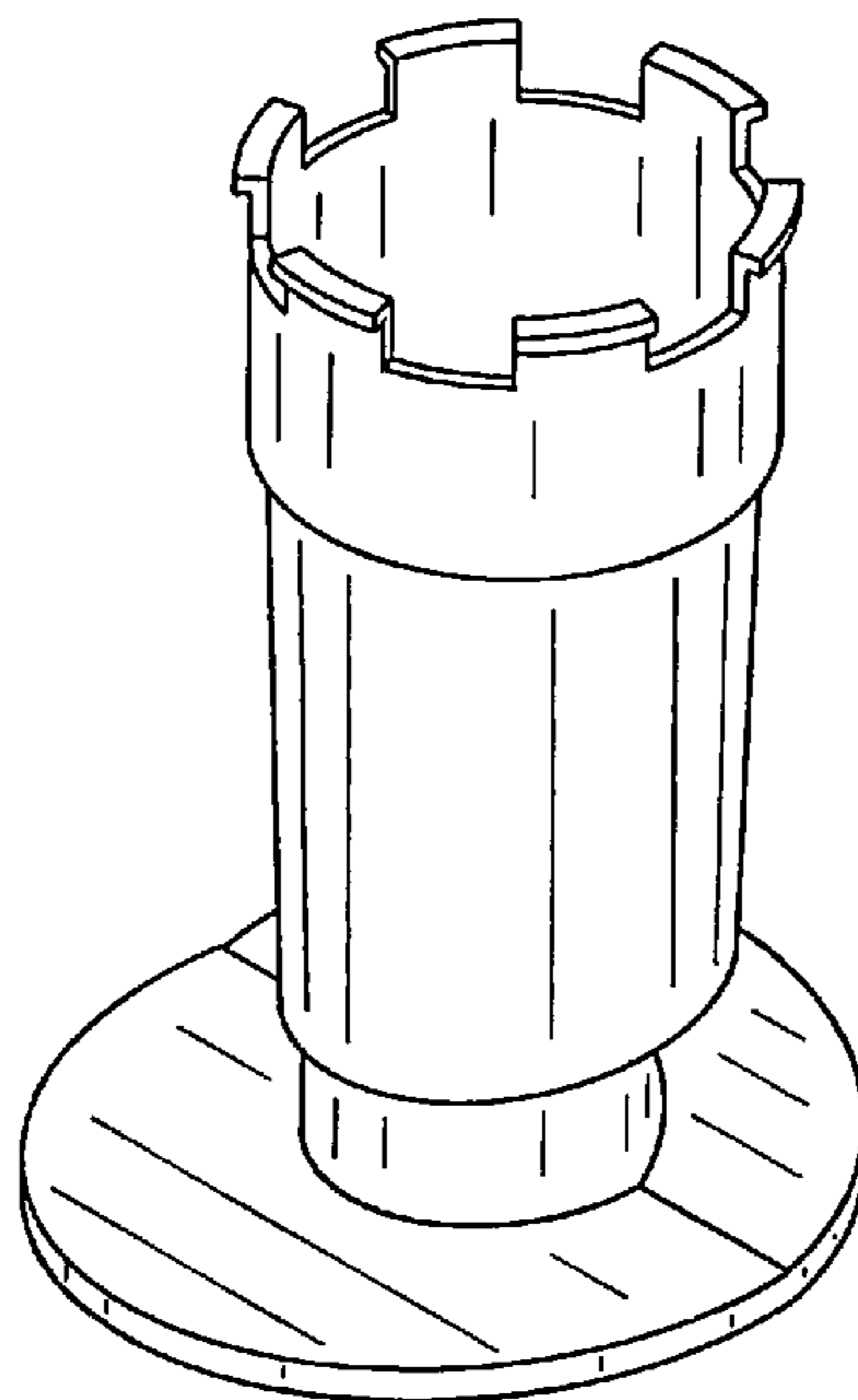
(57) **CLAIM**

The ornamental design for the nozzle splash guard design, as shown and described.

DESCRIPTION

FIG. 1 is an isometric view of a nozzle splash guard design showing our new invention;
 FIG. 2 is a top view;
 FIG. 3 is a bottom view;
 FIG. 4 is a right side view;
 FIG. 5 is a left side view;
 FIG. 6 is a back end view;
 FIG. 7 is a front end view;
 FIG. 8 is an isometric view of the lower fitting featured in FIGS. 1-7, the upper fitting has been removed for the drawing so that the lower fitting can be fully displayed;
 FIG. 9 is a top view of FIG. 8;
 FIG. 10 is a bottom view of FIG. 8;
 FIG. 11 is a right side view of FIG. 8;
 FIG. 12 is a left side view of FIG. 8;
 FIG. 13 is a back end view of FIG. 8; and,
 FIG. 14 is a front view of FIG. 8.

1 Claim, 3 Drawing Sheets



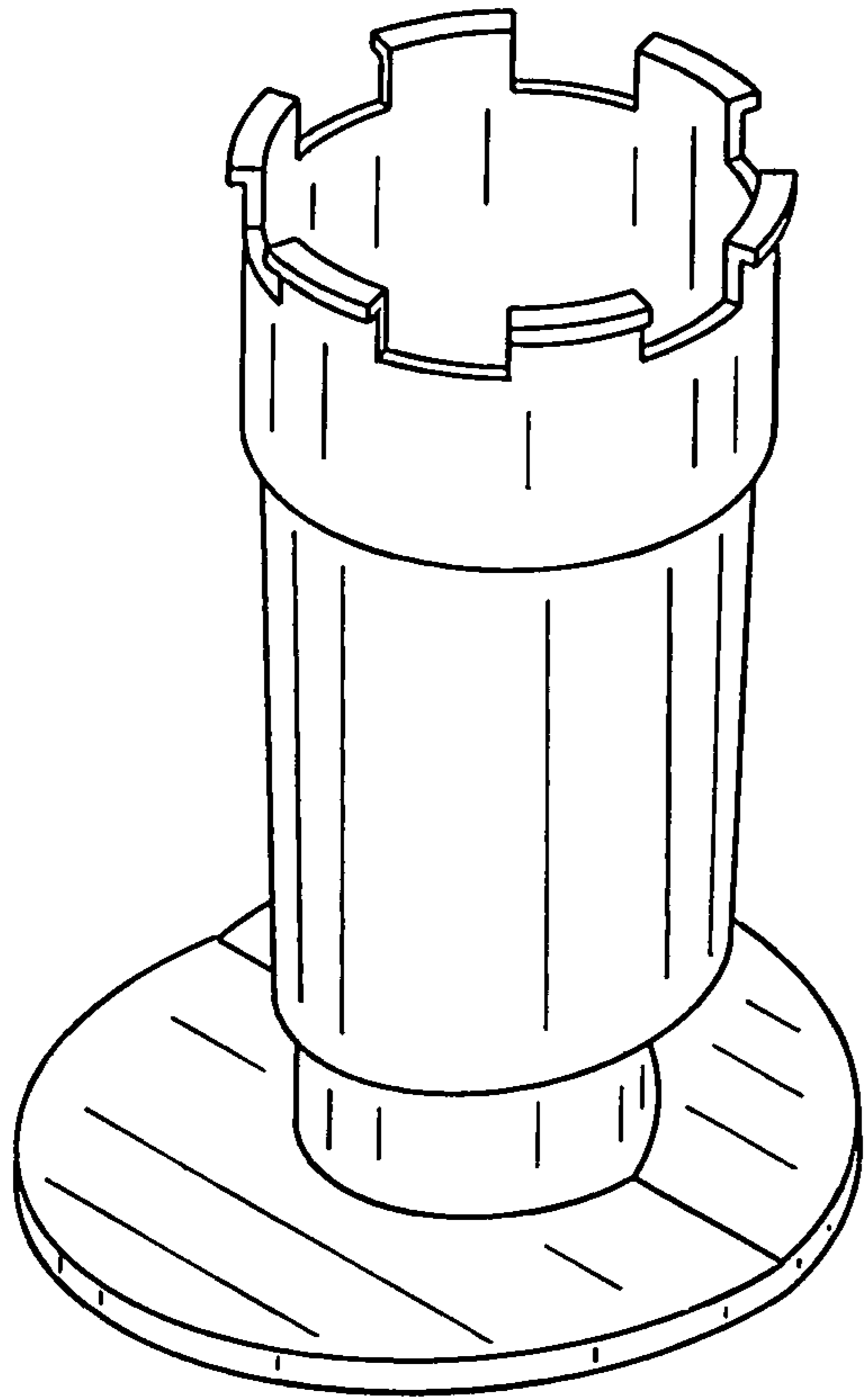


FIG. 1

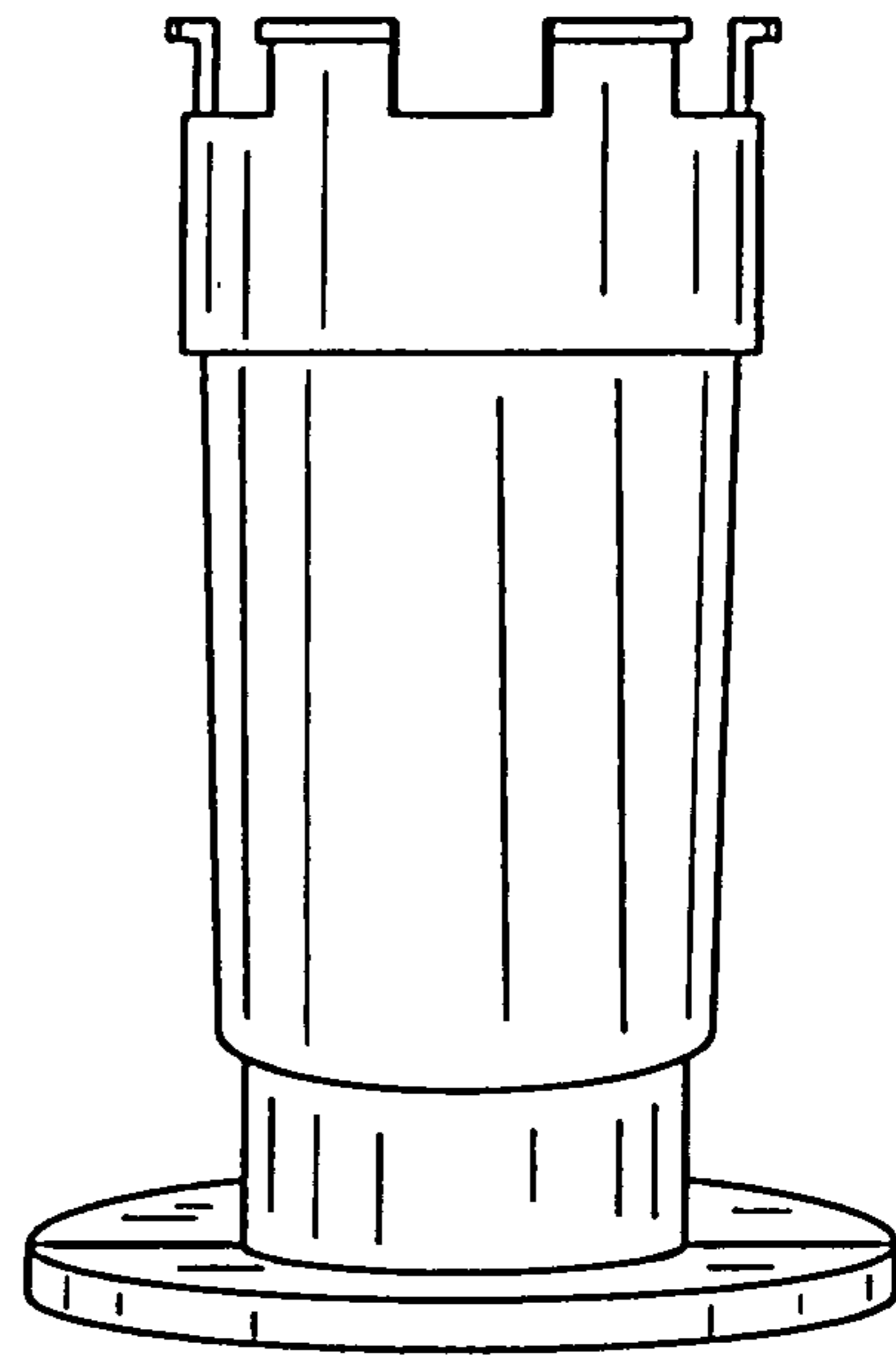


FIG. 2

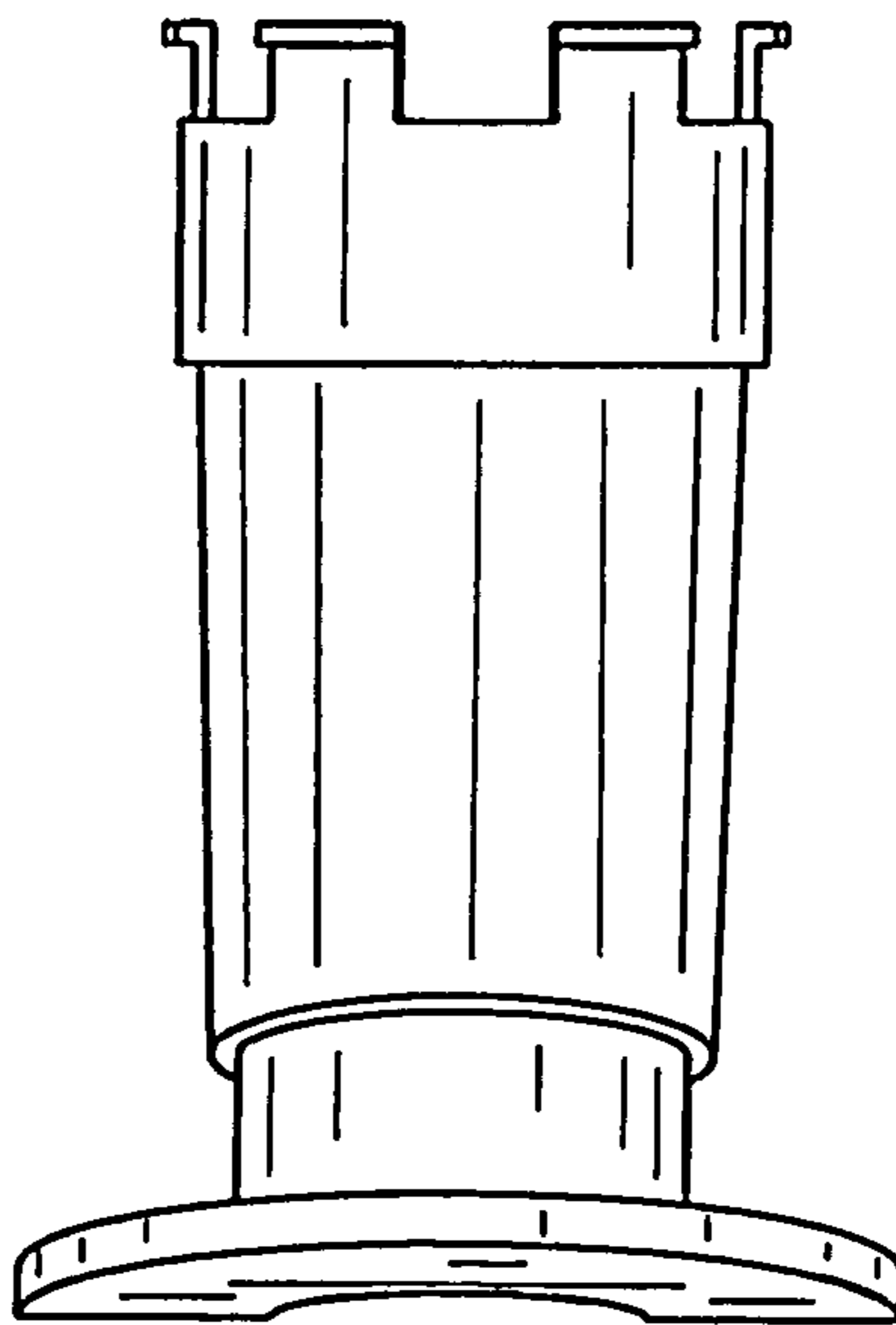


FIG. 3

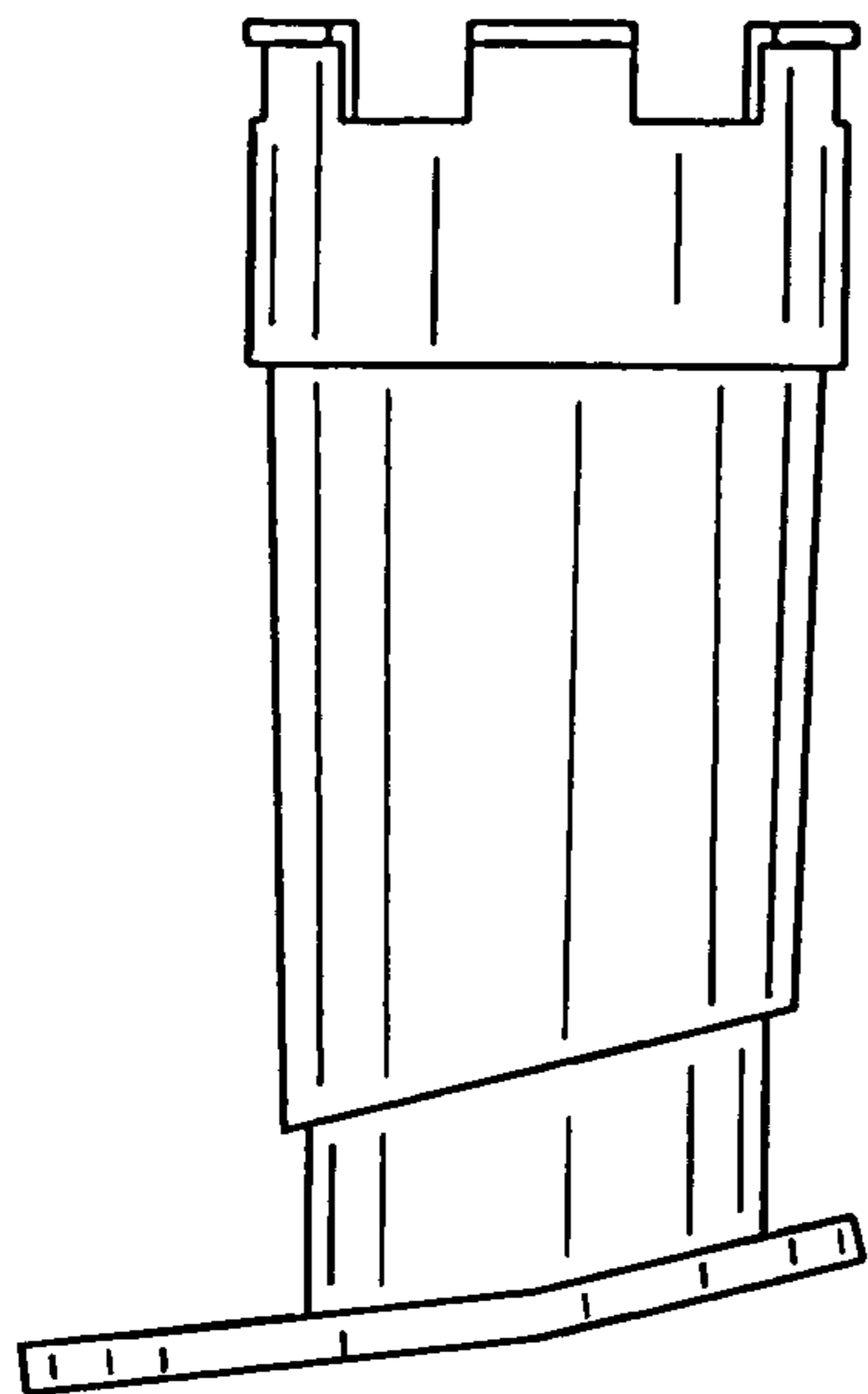


FIG. 4

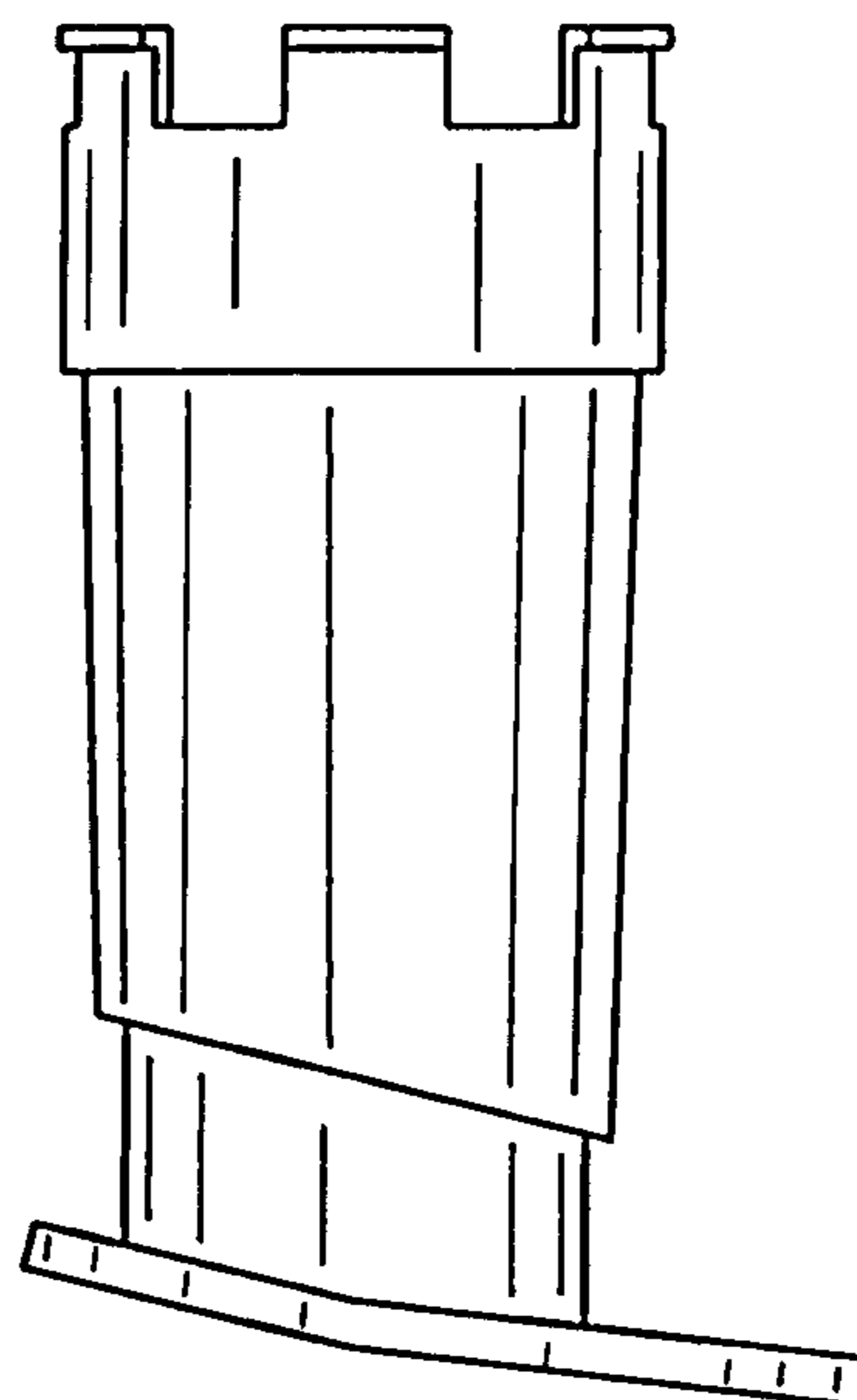


FIG. 5

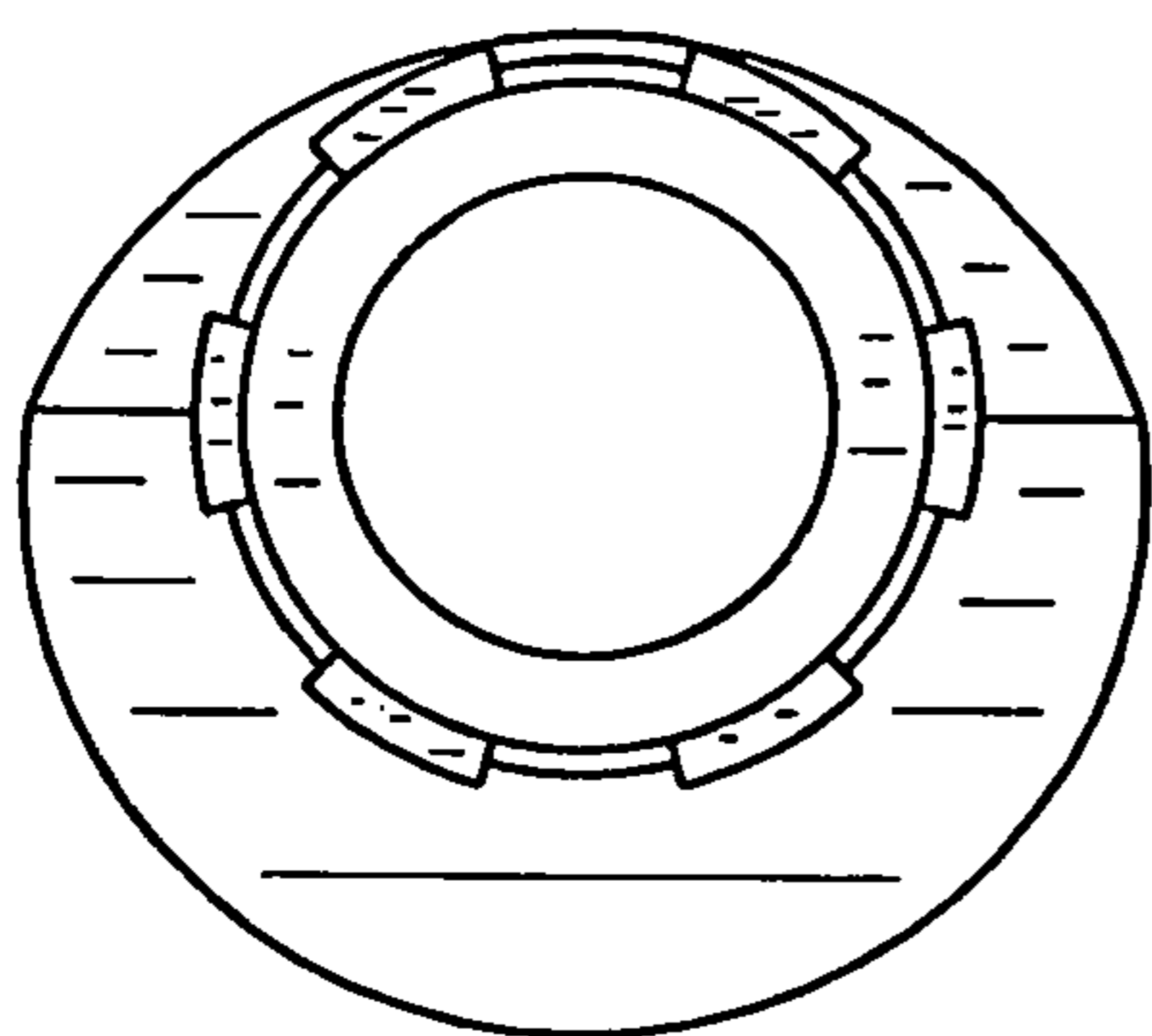


FIG. 6

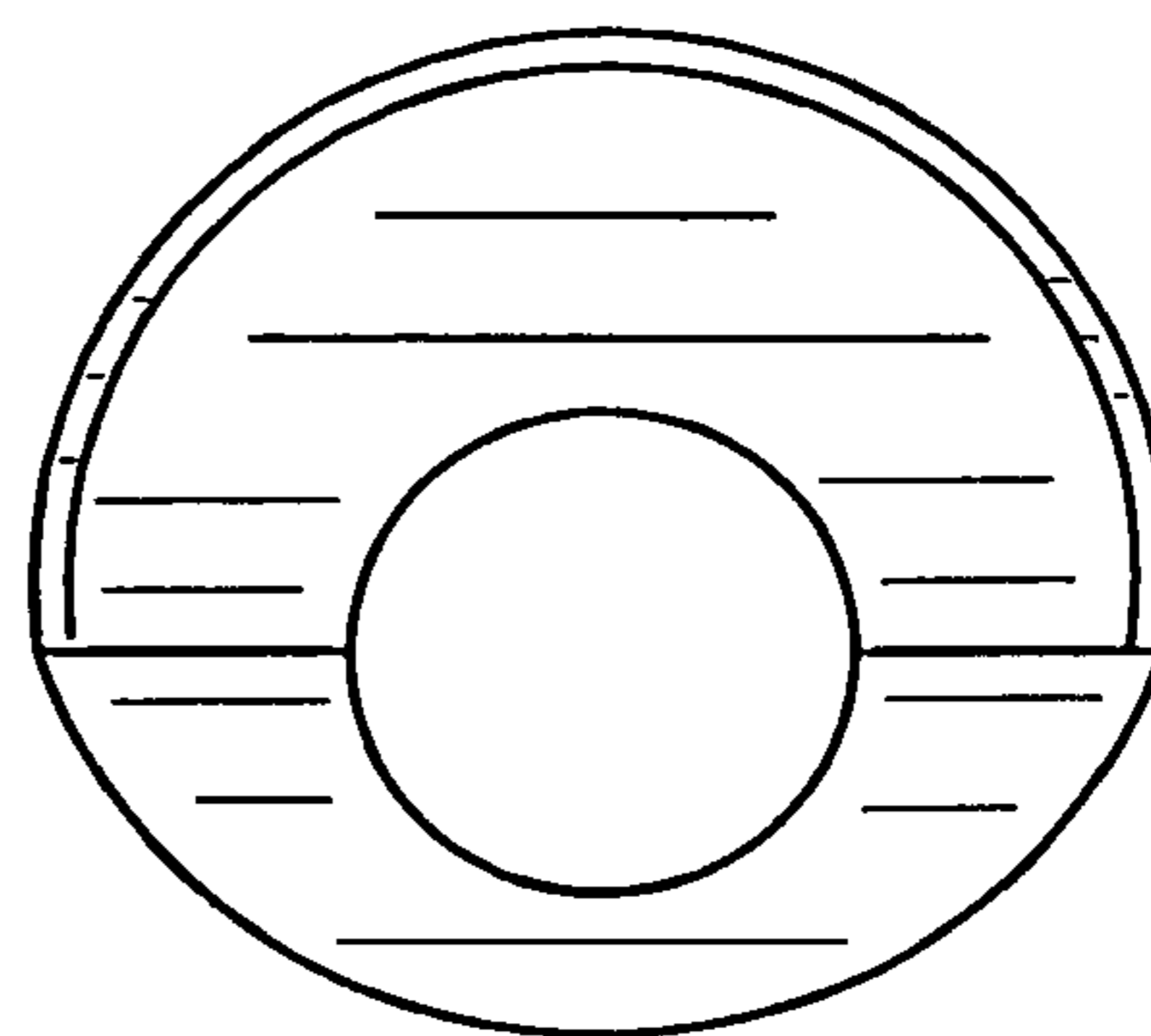


FIG. 7

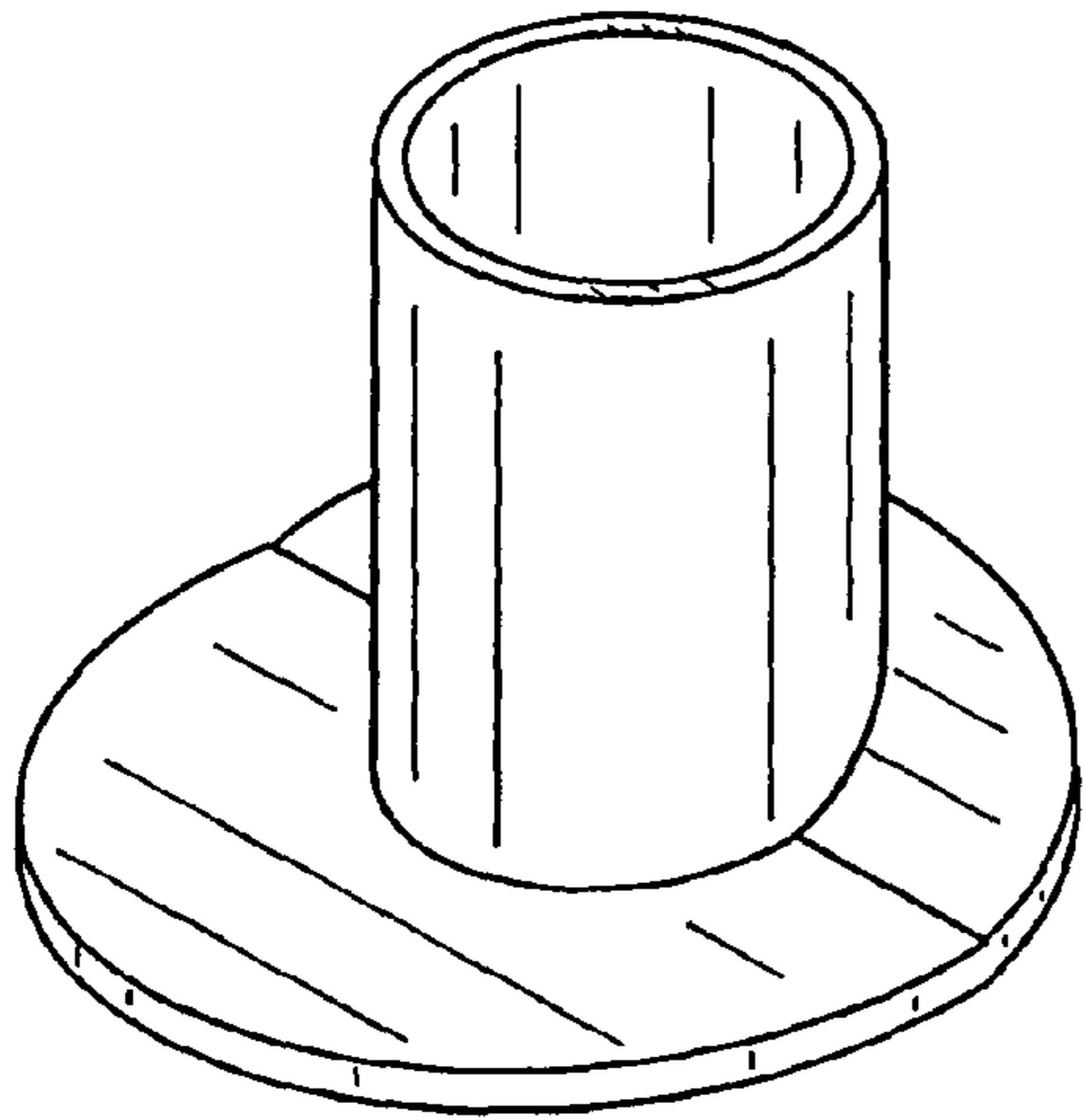


FIG. 8

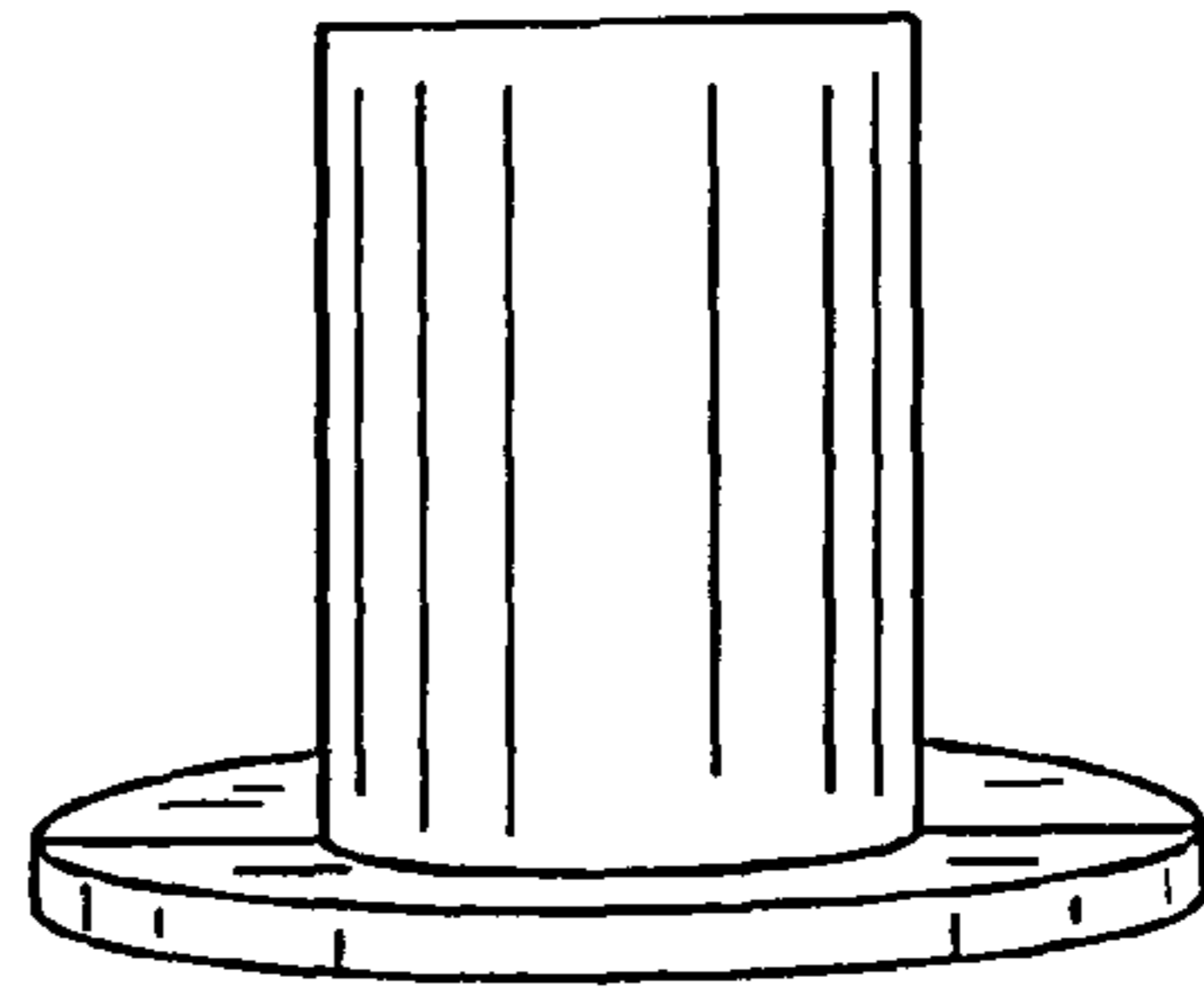


FIG. 9

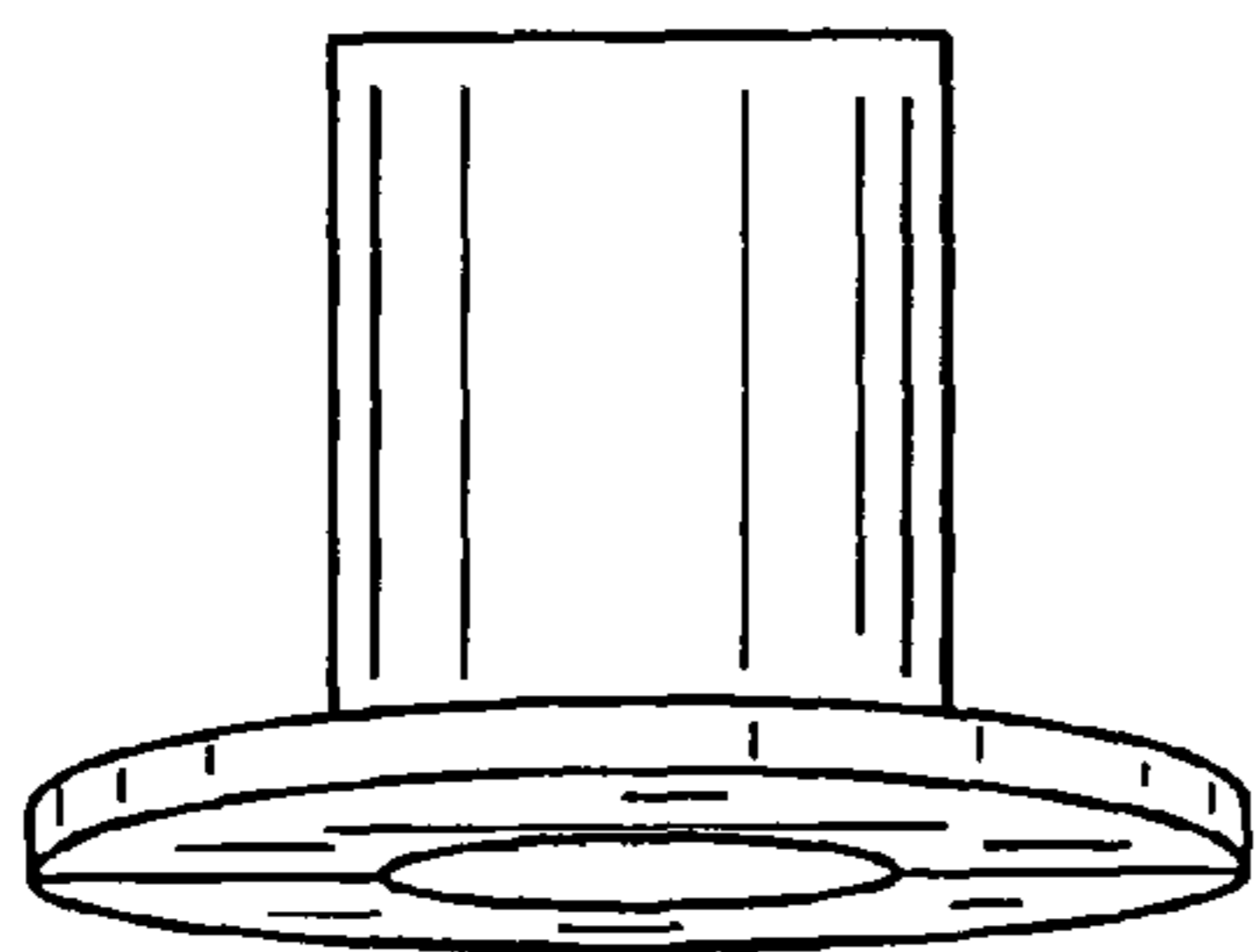


FIG. 10

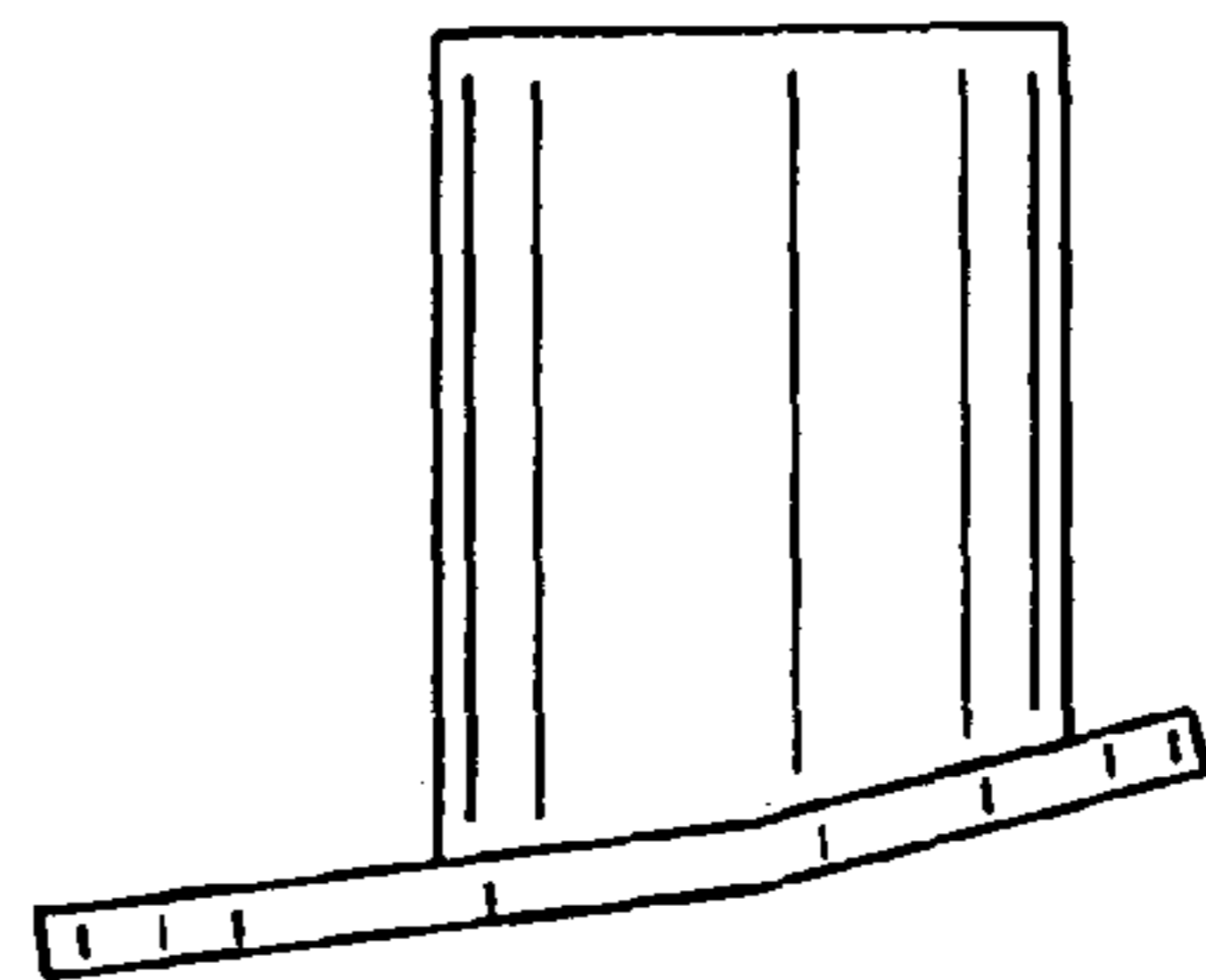


FIG. 11

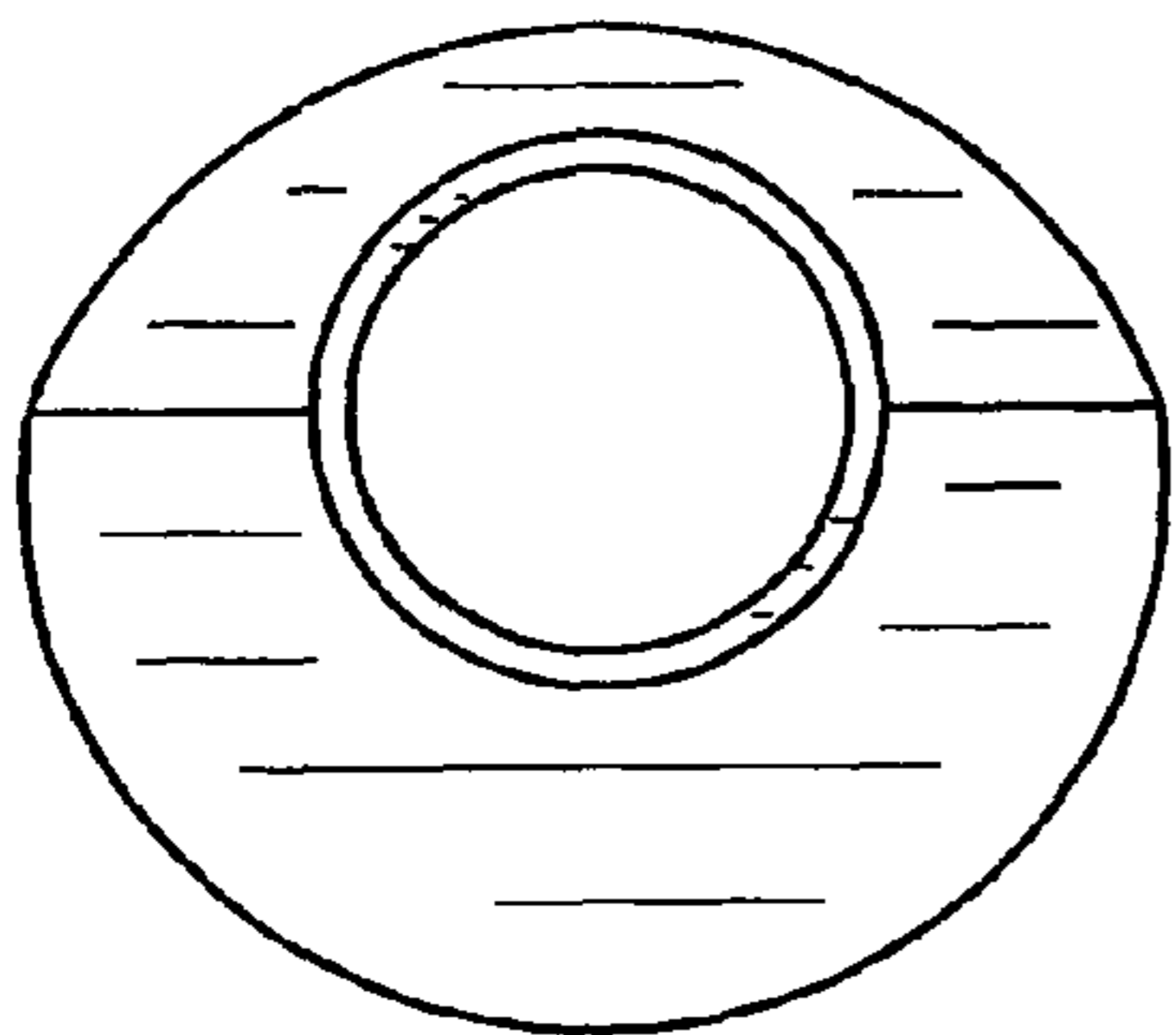


FIG. 13

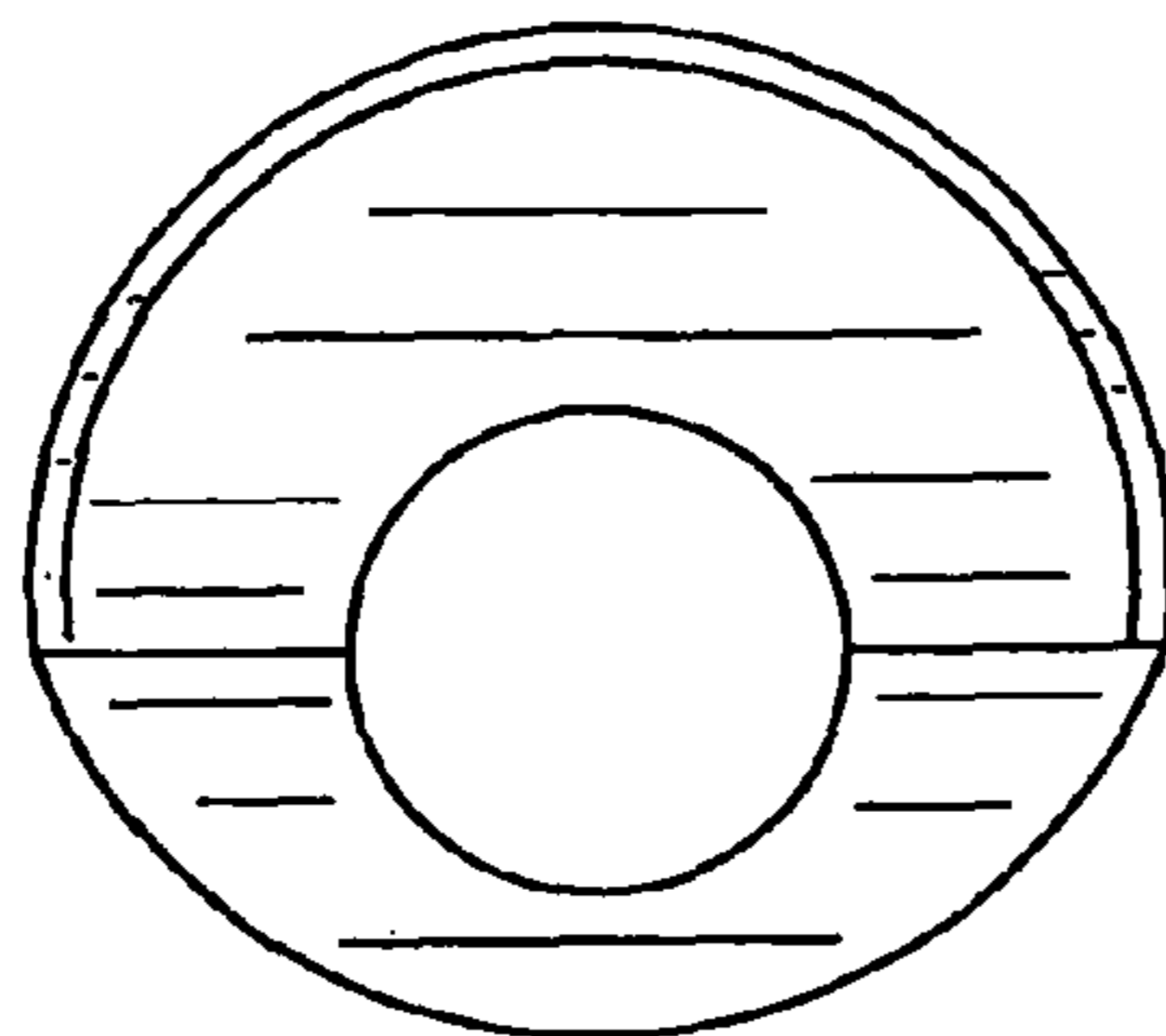


FIG. 14

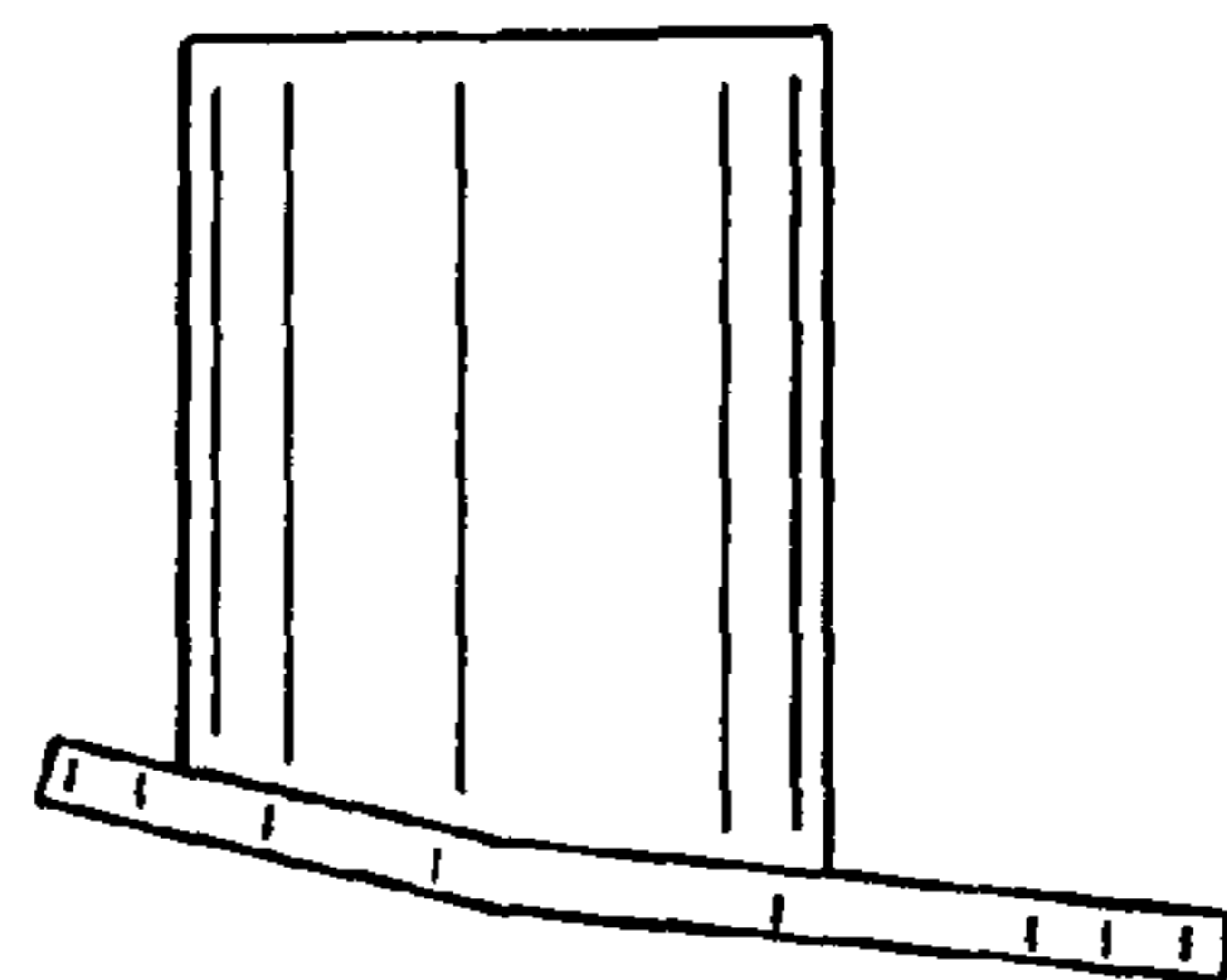


FIG. 12