



US00D739440S

(12) **United States Design Patent**
Cornett et al.

(10) **Patent No.:** **US D739,440 S**

(45) **Date of Patent:** **** Sep. 22, 2015**

(54) **PUMP ACTUATOR ANTI-ROTATION DEVICE**

(56) **References Cited**

(71) Applicant: **Eaton Corporation**, Cleveland, OH
(US)

U.S. PATENT DOCUMENTS

4,747,376 A 5/1988 Speil et al.
5,676,098 A * 10/1997 Ceur 123/90.5

(72) Inventors: **Doug R. Cornett**, Hurdle Mills, NC
(US); **John Page Chapman**, Richland,
MI (US); **Gary Lynn Janowiak**,
Saginaw, MI (US); **Daniel A. Nelson**,
Kalamazoo, MI (US); **Mark E. Jacobs**,
Roxboro, NC (US); **Brent L. Rehm**,
Nashville, MI (US); **Pratap S. Murthy**,
Ann Arbor, MI (US); **Anthony Leon**
Spoor, Union City, MI (US); **James Roy**
Sheren, Grand Ledge, MI (US)

(Continued)

FOREIGN PATENT DOCUMENTS

DE 19600852 7/1997
DE 102007016739 10/2008

Primary Examiner — Ralf Seifert

(74) *Attorney, Agent, or Firm* — Remarck Law Group PLC

(73) Assignee: **Eaton Corporation**, Cleveland, OH
(US)

(57) **CLAIM**

The ornamental design for a pump actuator anti-rotation device, as shown and described.

(**) Term: **14 Years**

DESCRIPTION

(21) Appl. No.: **29/480,779**

FIG. 1 is a front view of a pump actuator anti-rotation device in accordance with another aspect of the present teachings.

FIG. 2 is a side view of the pump actuator anti-rotation device of FIG. 1.

(22) Filed: **Jan. 29, 2014**

FIG. 3 is a back view of the pump actuator anti-rotation device of FIG. 1.

FIG. 4 is a top view of the pump actuator anti-rotation device of FIG. 1.

Related U.S. Application Data

(62) Division of application No. 29/408,515, filed on Dec. 13, 2011, now Pat. No. Des. 701,243.

FIG. 5 is a bottom view of the pump actuator anti-rotation device of FIG. 1.

FIG. 6 is a perspective view of the pump actuator anti-rotation device of FIG. 1.

(51) **LOC (10) Cl.** **15-02**

(52) **U.S. Cl.**
USPC **D15/7**

FIG. 7 is another perspective view of the pump actuator anti-rotation device of FIG. 1.

FIG. 8 is yet another perspective view of the pump actuator anti-rotation device of FIG. 1.

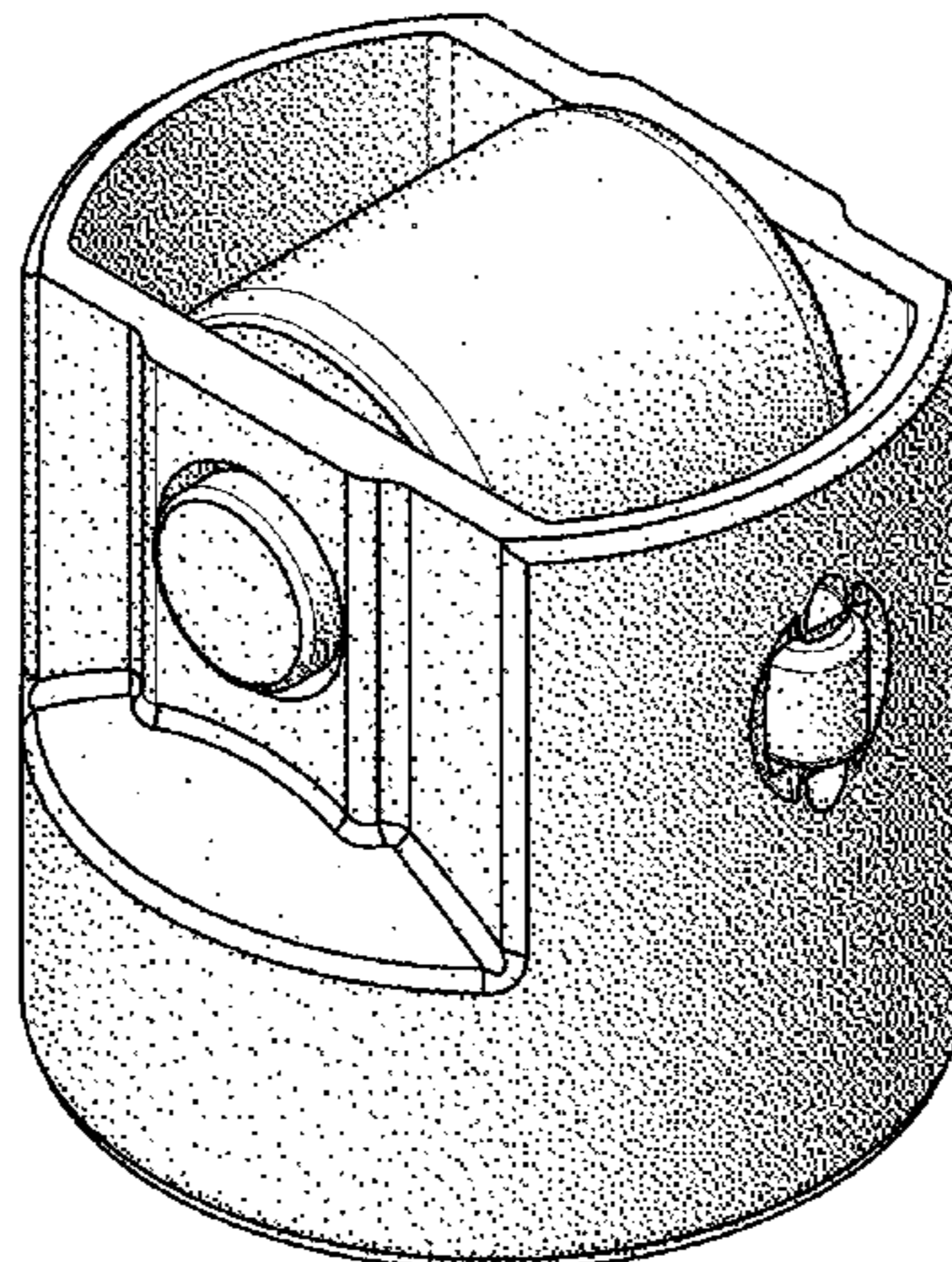
(58) **Field of Classification Search**
USPC D15/7-9; D23/231, 232, 225; 417/60,
417/235, 265, 321, 355, 358, 363, 359,
417/410.1, 415-416, 405, 900, 43, 554;
60/408, 412; 184/26-37; 415/140-147;
123/495, 509, 90.48; 166/105.1, 105.2,
166/311; 92/129
CPC F01L 1/14; F16J 1/10; F16J 15/18
See application file for complete search history.

FIG. 9 is an enlarged partial view of the pump actuator anti-rotation device of FIG. 8.

FIG. 10 is a partial exploded view of the pump actuator anti-rotation device of FIG. 9.

The broken line showing portions of the pump actuator anti-rotation device form no part of the claimed design.

1 Claim, 6 Drawing Sheets



(56)

References Cited

U.S. PATENT DOCUMENTS

5,975,038	A	11/1999	Fischer et al.	7,322,328	B2	1/2008	Haefner	
6,032,631	A	3/2000	Haas et al.	7,389,757	B2	6/2008	Itoafa et al.	
6,164,255	A	12/2000	Haas et al.	7,610,886	B2	11/2009	von Schimonsky	
6,247,433	B1	6/2001	Faria et al.	7,793,583	B2	9/2010	Radinger et al.	
6,345,596	B1	2/2002	Kuhl	7,793,630	B2	9/2010	Shewell	
6,659,052	B2	12/2003	Kuhl	D633,109	S	2/2011	Katayama	
6,805,085	B2	10/2004	Kuhl et al.	D633,529	S	3/2011	Hamada et al.	
6,880,507	B2	4/2005	Kuhl et al.	D638,036	S	5/2011	Hamada et al.	
6,953,016	B2	10/2005	Karbstein et al.	8,104,442	B2 *	1/2012	Dorn et al.	123/90.48
6,988,474	B2	1/2006	Itoafa	8,235,018	B2 *	8/2012	Dorn et al.	123/90.48
D515,590	S *	2/2006	Freitas D15/7	8,474,427	B2 *	7/2013	Dorn et al.	123/90.48
7,055,479	B2	6/2006	Sailer et al.	8,522,739	B2 *	9/2013	Pflugl et al.	123/90.48
7,096,837	B2	8/2006	Kieninger et al.	8,607,754	B2 *	12/2013	Dorn et al.	123/90.48
7,146,952	B2	12/2006	Kreil et al.	8,616,168	B2 *	12/2013	Copper et al.	123/90.5
7,159,552	B2	1/2007	Backert et al.	8,800,519	B2 *	8/2014	Dorn et al.	123/90.48
7,210,437	B2	5/2007	Geyer	8,875,676	B2 *	11/2014	Geyer et al.	123/90.48
7,246,584	B2	7/2007	Geiger et al.	2009/0031977	A1	2/2009	Bugescu	
7,246,587	B2	7/2007	Evans et al.	2010/0012065	A1	1/2010	Dorn et al.	
7,299,777	B2	11/2007	Meisborn et al.	2010/0229812	A1	9/2010	Dorn et al.	
				2010/0294219	A1	11/2010	Prokop	
				2011/0265752	A1	11/2011	Dorn et al.	

* cited by examiner

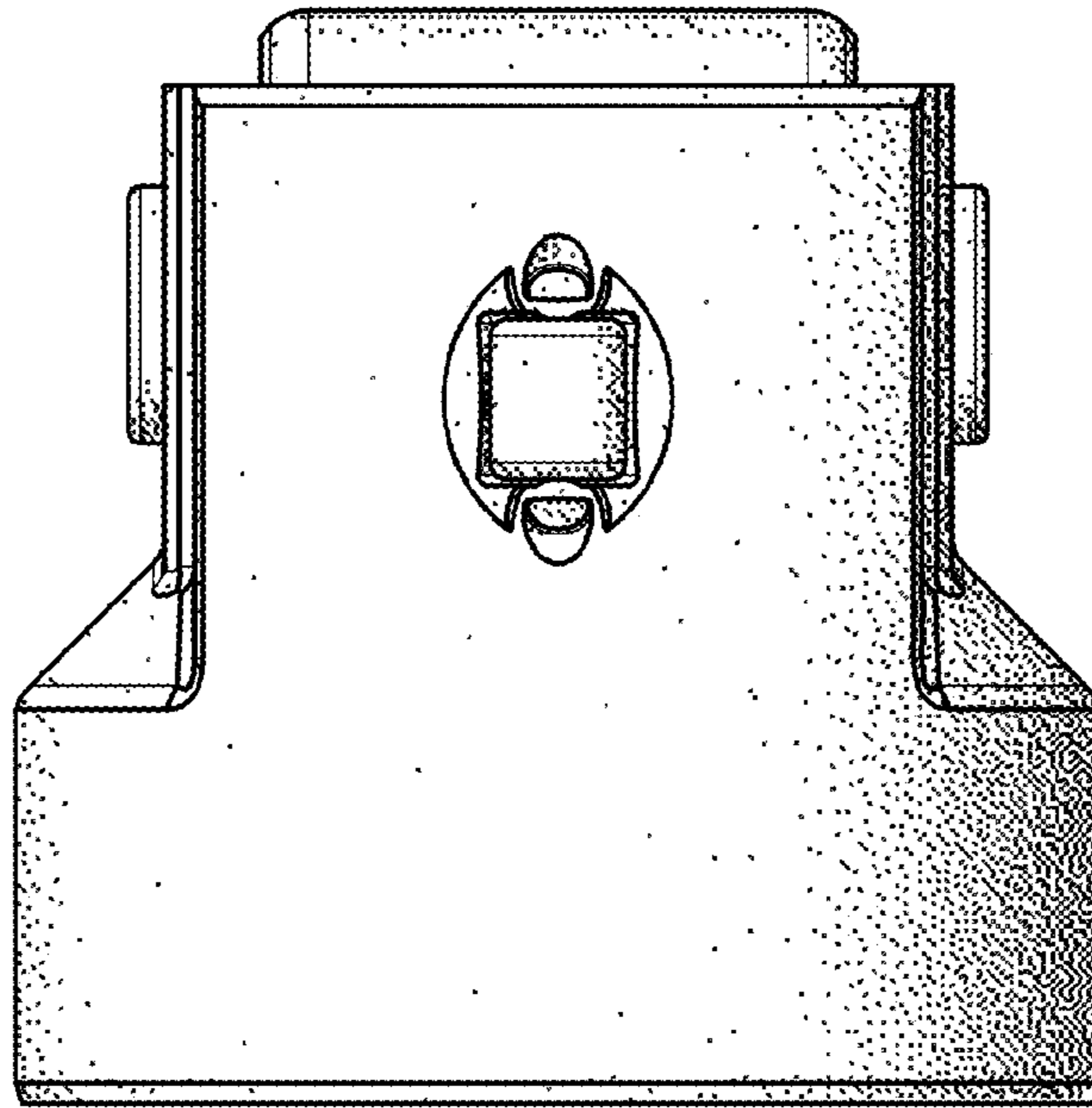


FIG. 1

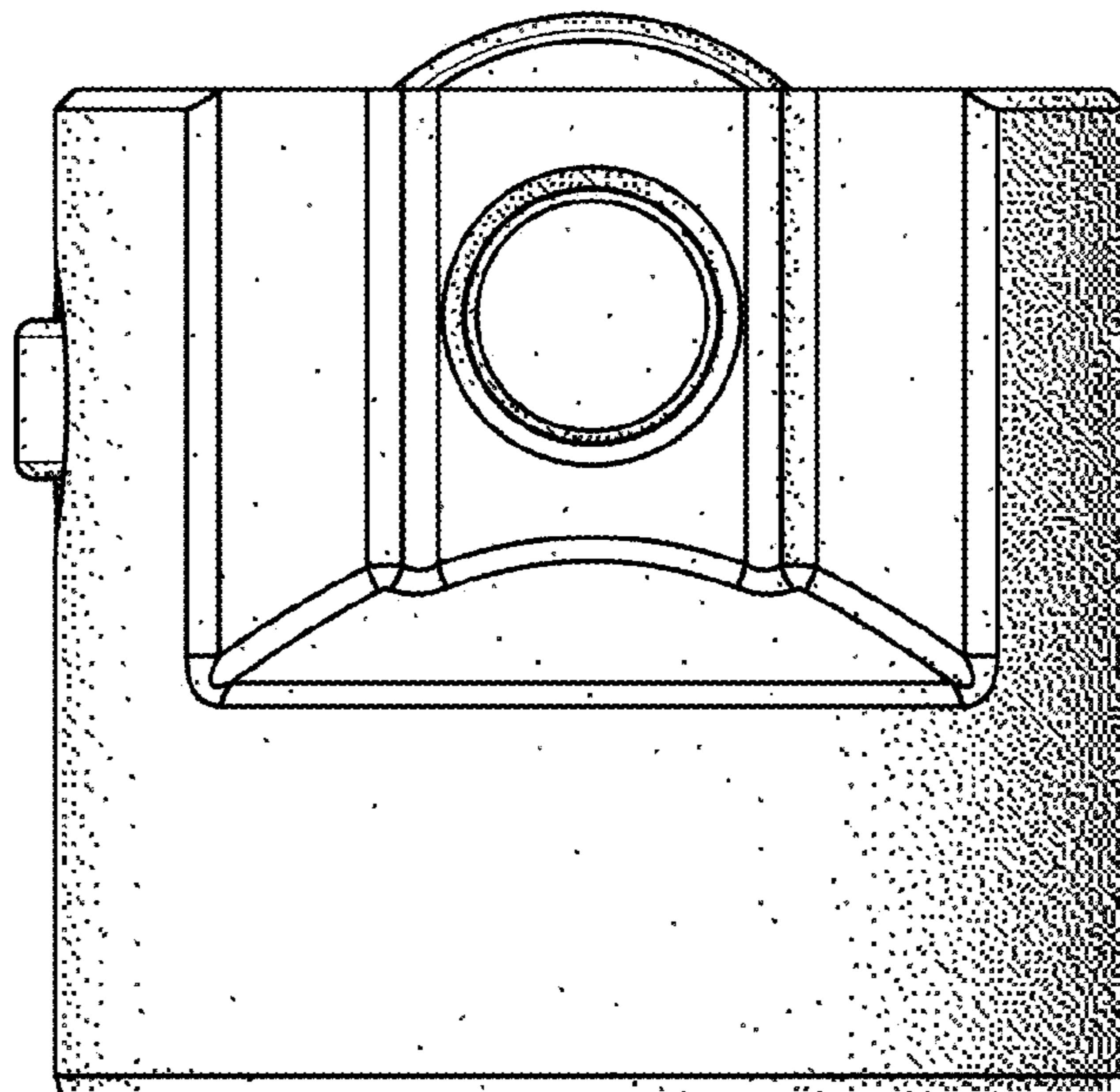


FIG. 2

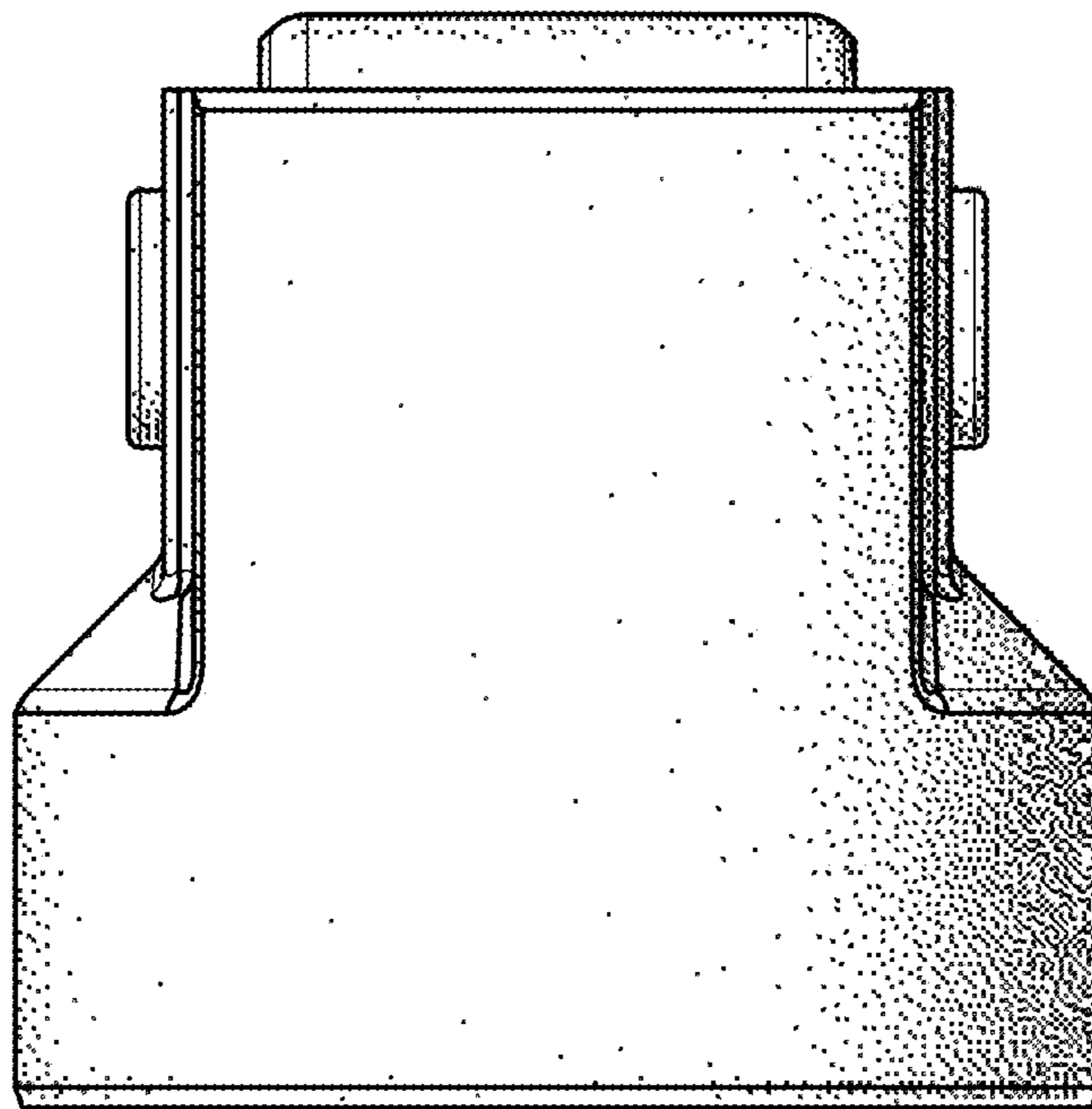


FIG. 3

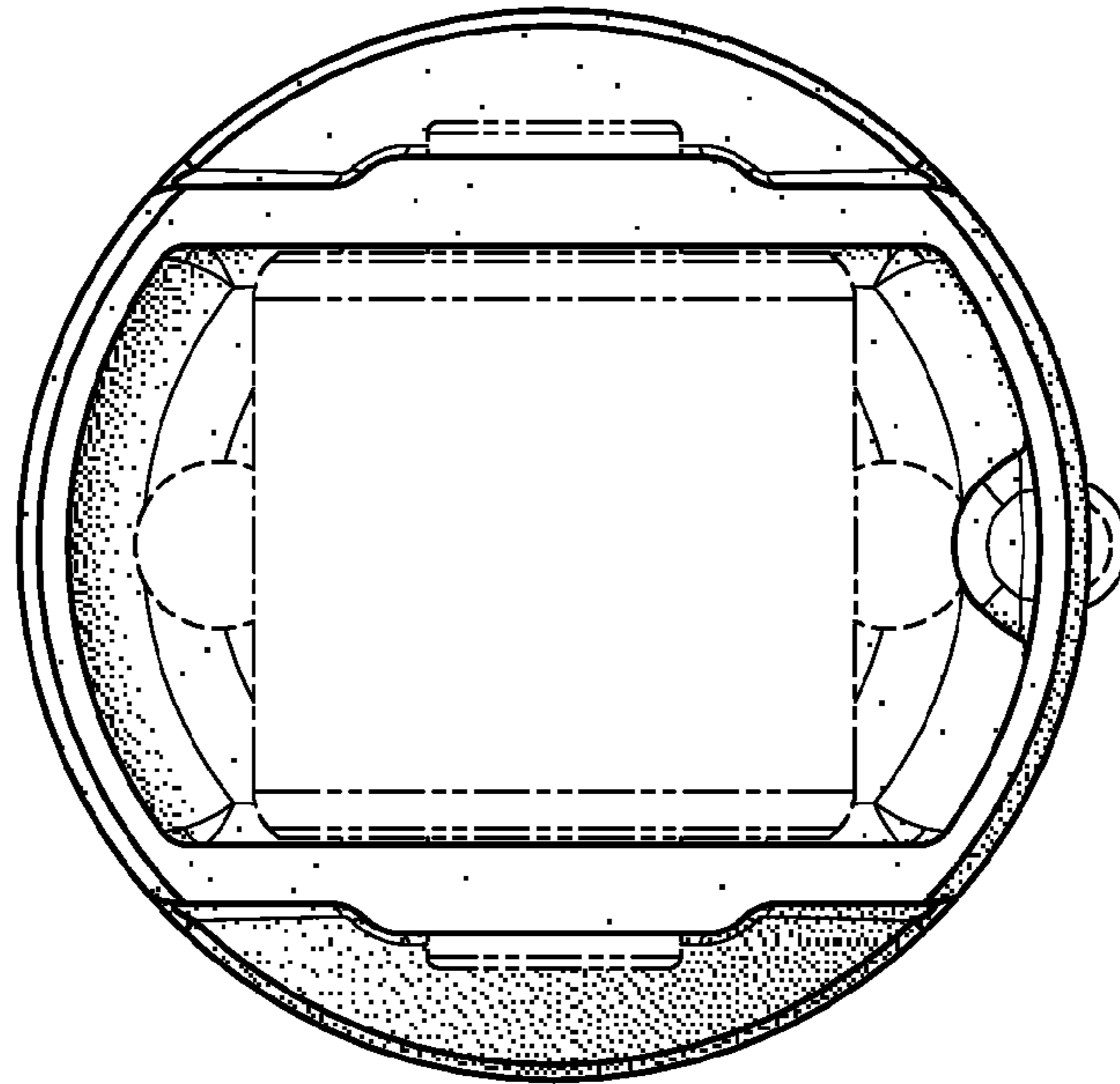


FIG. 4

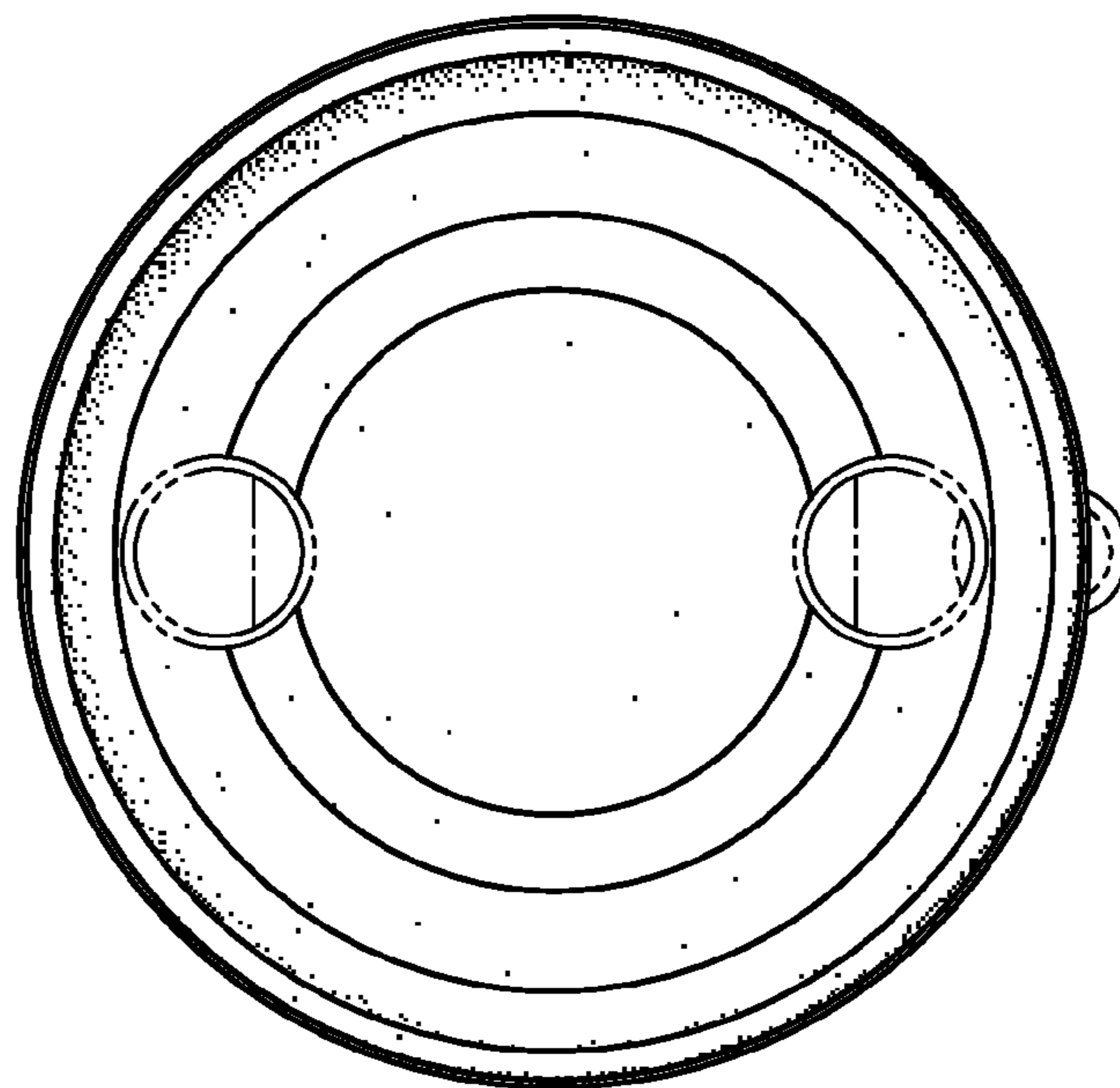


FIG. 5

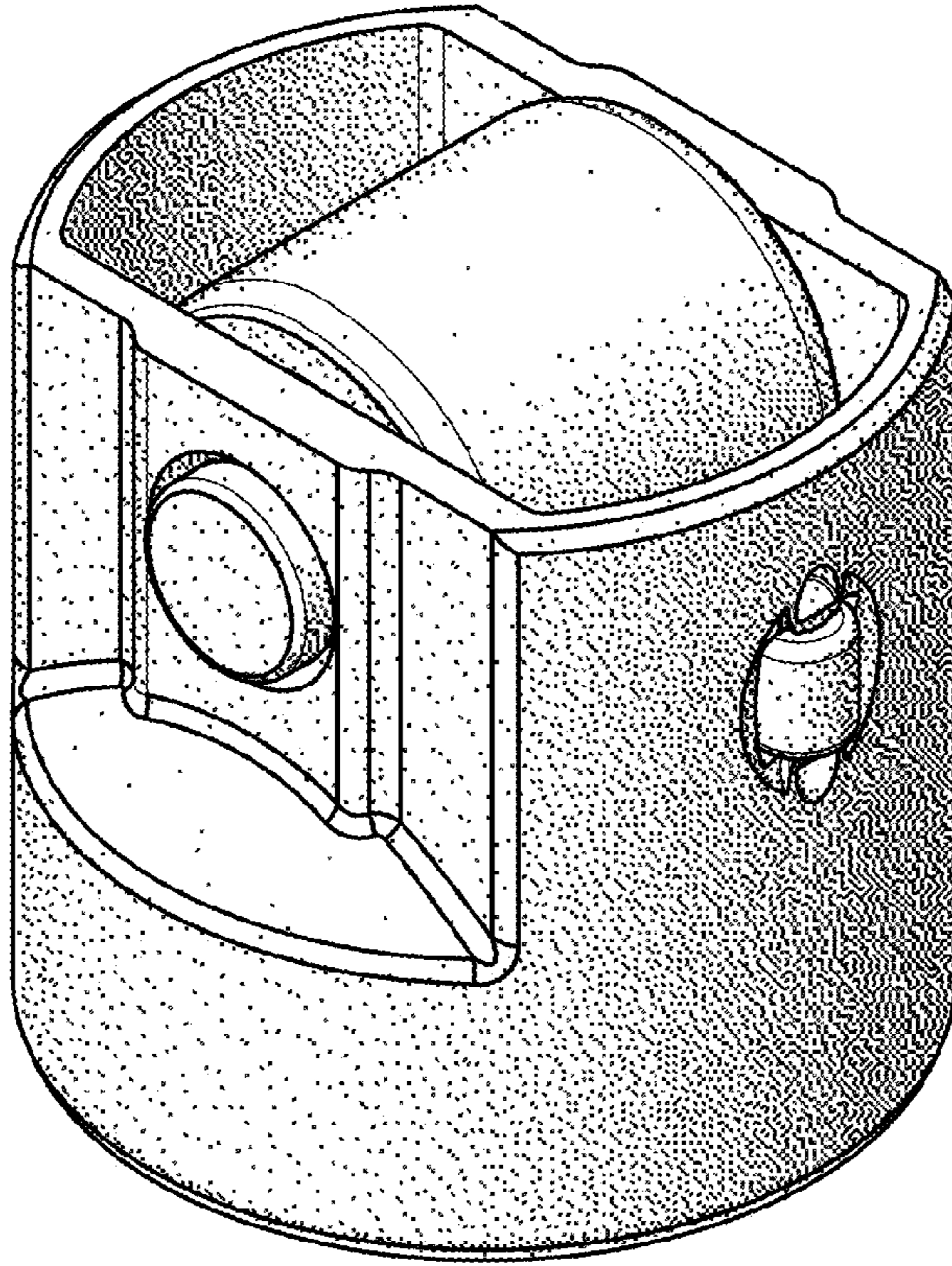


FIG. 6

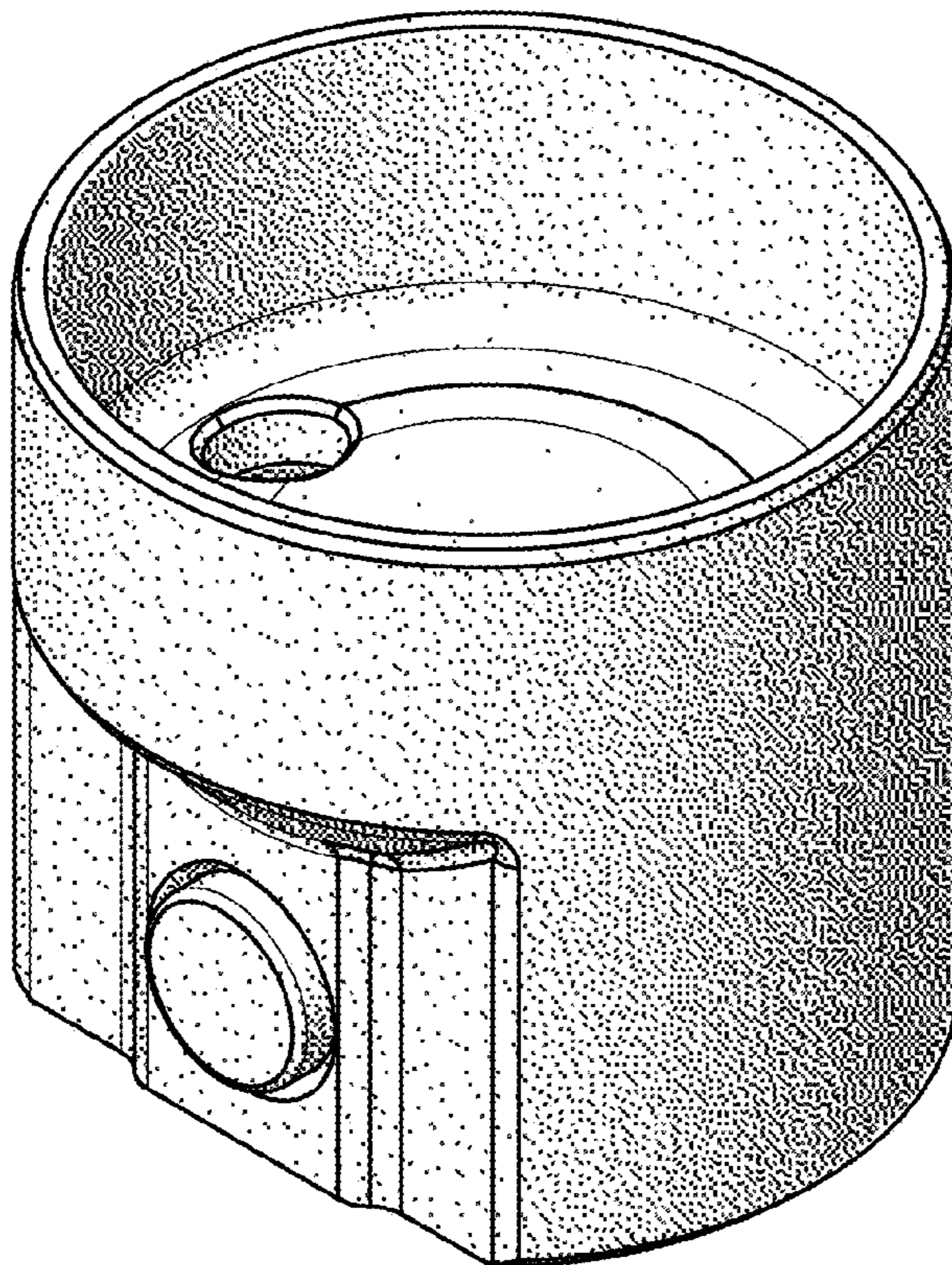


FIG. 7

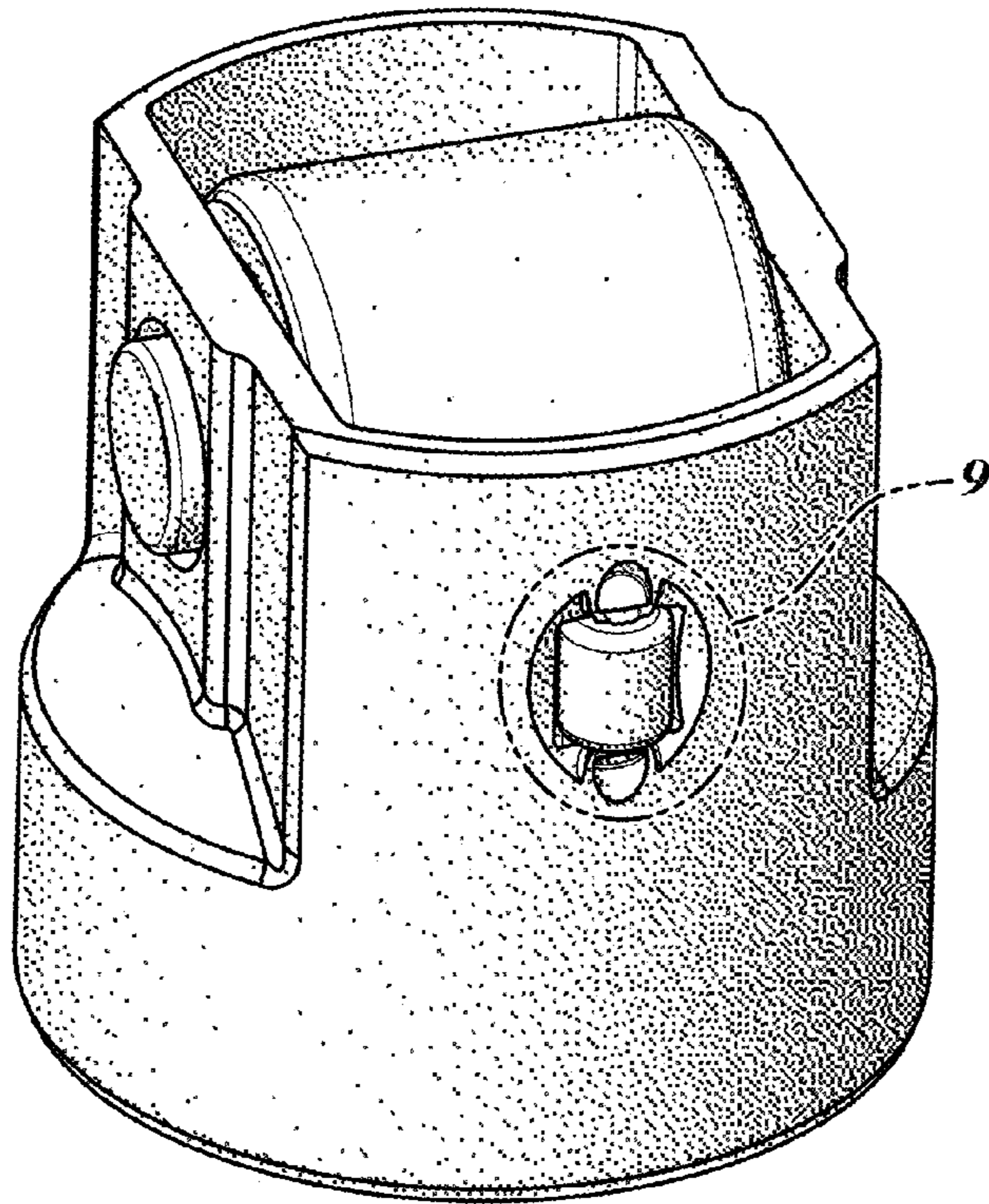


FIG. 8

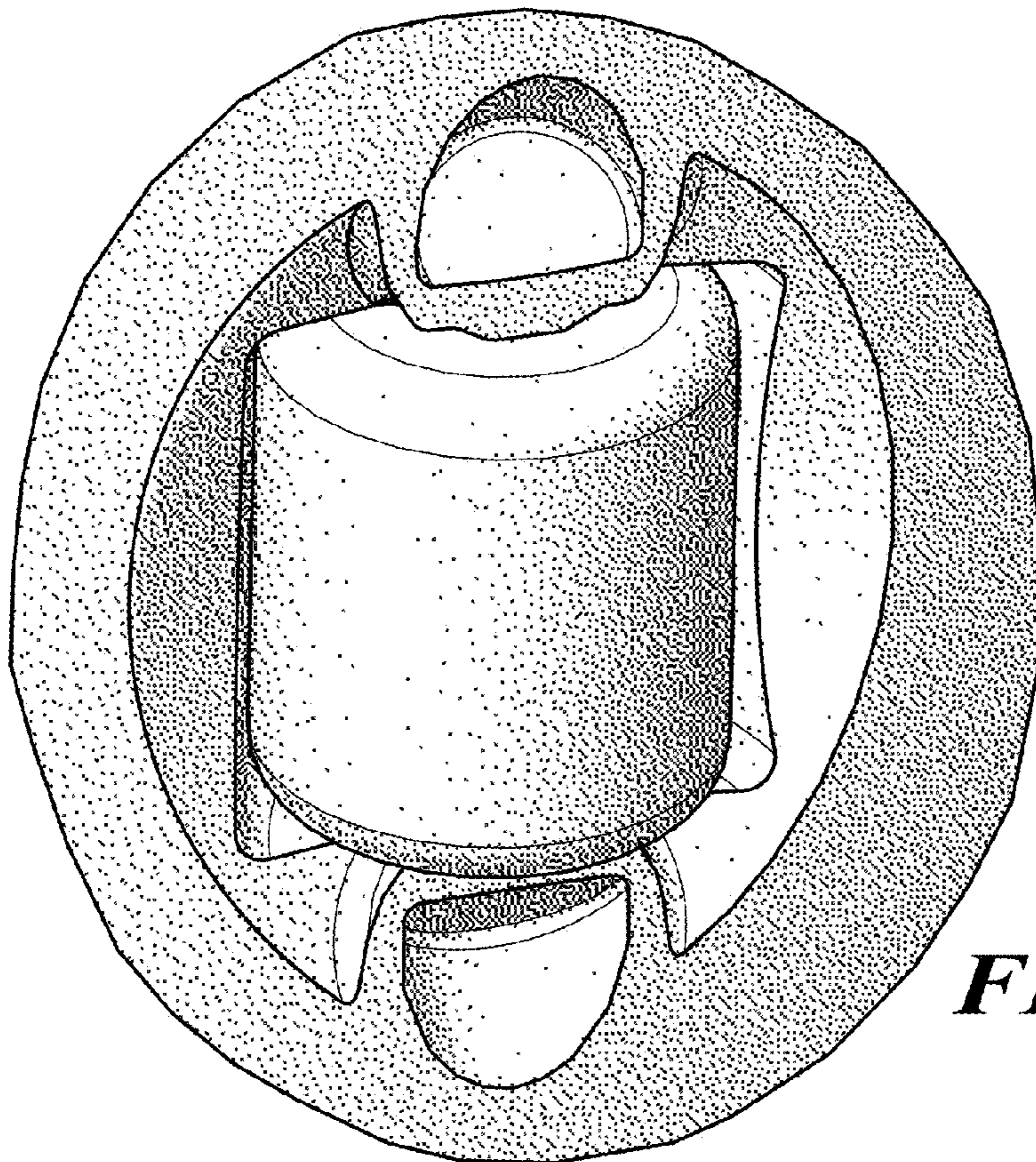


FIG. 9

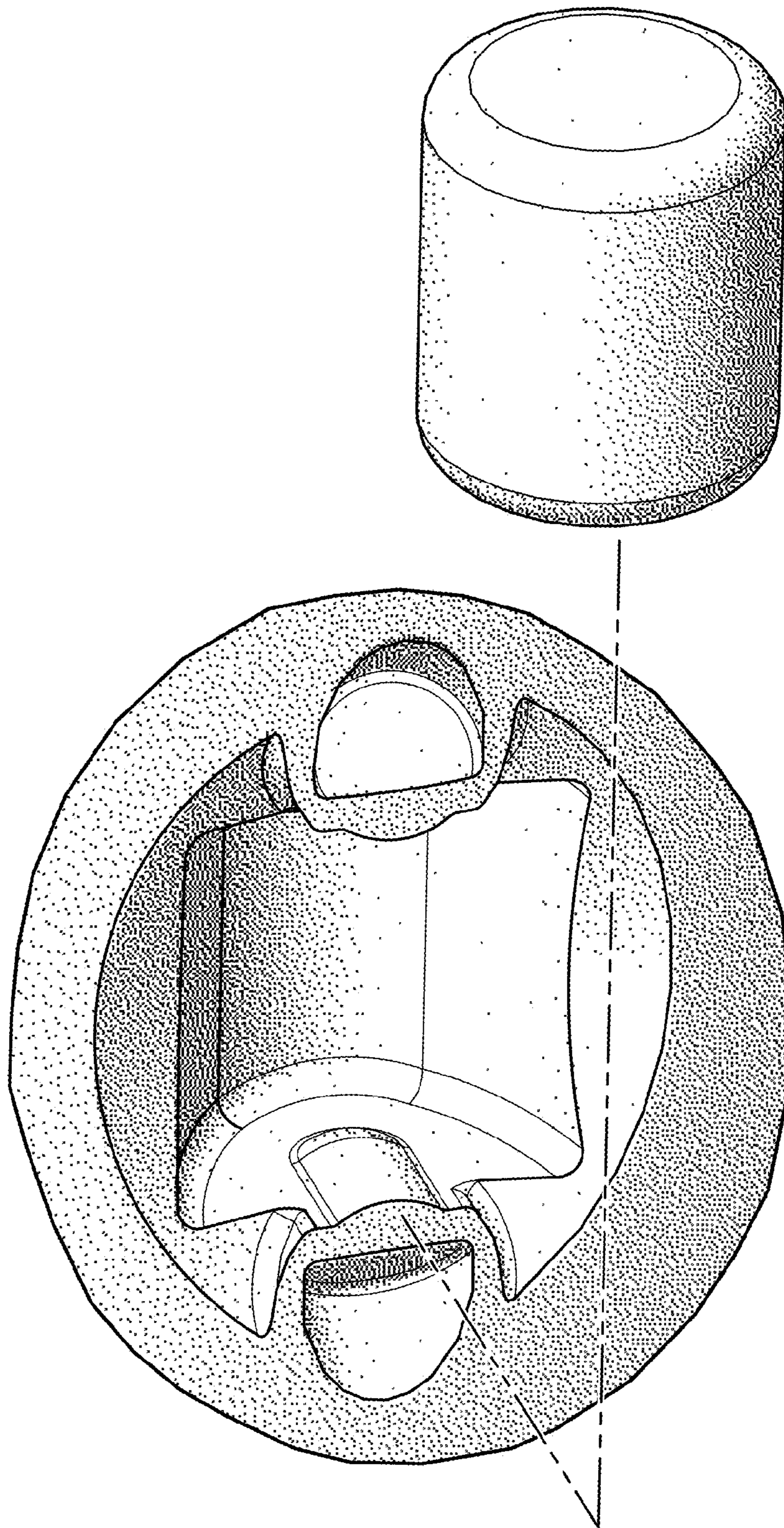


FIG. 10