



US00D739421S

(12) **United States Design Patent**
Brinda et al.

(10) **Patent No.:** **US D739,421 S**
(45) **Date of Patent:** **** Sep. 22, 2015**

(54) **PORTION OF A DISPLAY SCREEN WITH
ICON**

(71) Applicant: **HTC Corporation**, Taoyuan (TW)

(72) Inventors: **David Brinda**, Bellevue, WA (US);
Ashley Yousling, Seattle, WA (US);
Sheng-Hsin Huang, Taoyuan (TW);
Chuan-Feng Yeh, Taoyuan (TW);
Hsiang-Ning Wu, Taoyuan (TW)

(73) Assignee: **HTC Corporation**, Taoyuan (TW)

(**) Term: **14 Years**

(21) Appl. No.: **29/508,033**

(22) Filed: **Nov. 3, 2014**

Related U.S. Application Data

(62) Division of application No. 29/414,046, filed on Feb. 23, 2012, now Pat. No. Des. 719,189.

(51) **LOC (10) Cl.** **14-04**

(52) **U.S. Cl.**
USPC **D14/485**

(58) **Field of Classification Search**
USPC D14/485-495
CPC G06F 3/048; G06F 3/0482; G06F 3/0481;
G06F 3/04817

See application file for complete search history.

(56) **References Cited**

U.S. PATENT DOCUMENTS

1,214,250	A *	1/1917	Wollensak	396/476
1,547,658	A *	7/1925	Kunze	396/510
D119,256	S *	3/1940	Darling	D16/219
D315,743	S *	3/1991	Martin	D16/219
D403,673	S *	1/1999	Arora et al.	D14/489
D497,367	S *	10/2004	Wasko et al.	D14/489

D500,766	S *	1/2005	Hanisch et al.	D14/489
D536,381	S *	2/2007	Cho	D20/23
D566,722	S *	4/2008	Jackson	D14/489
D576,172	S *	9/2008	Kim	D14/486
D591,305	S *	4/2009	Shimoda	D14/485
D607,007	S *	12/2009	Kocmick	D14/489
D609,244	S *	2/2010	Seo	D14/488
D619,593	S *	7/2010	Fujioka et al.	D14/485
D619,601	S *	7/2010	Matas	D14/486
D619,614	S *	7/2010	O'Mullan et al.	D14/489
D620,496	S *	7/2010	Matas	D14/486
D621,410	S *	8/2010	Verfuerrth et al.	D14/486
D625,315	S *	10/2010	Jewitt et al.	D14/485
D625,328	S *	10/2010	Fitzmaurice et al.	D14/489
D627,360	S *	11/2010	Aarseth	D14/485
D637,197	S *	5/2011	Ray et al.	D14/486
D640,270	S *	6/2011	Barnett et al.	D14/487
D642,191	S *	7/2011	Barnett et al.	D14/487
D642,590	S *	8/2011	Jubelirer et al.	D14/489
D644,242	S *	8/2011	Matas	D14/489
D644,243	S *	8/2011	Matas	D14/489
D645,470	S *	9/2011	Matas	D14/489
D650,796	S *	12/2011	Rincover et al.	D14/492
D651,611	S *	1/2012	Ouilhet et al.	D14/489

(Continued)

Primary Examiner — Kevin Rudzinski

(74) *Attorney, Agent, or Firm* — Jianq Chyun IP Office

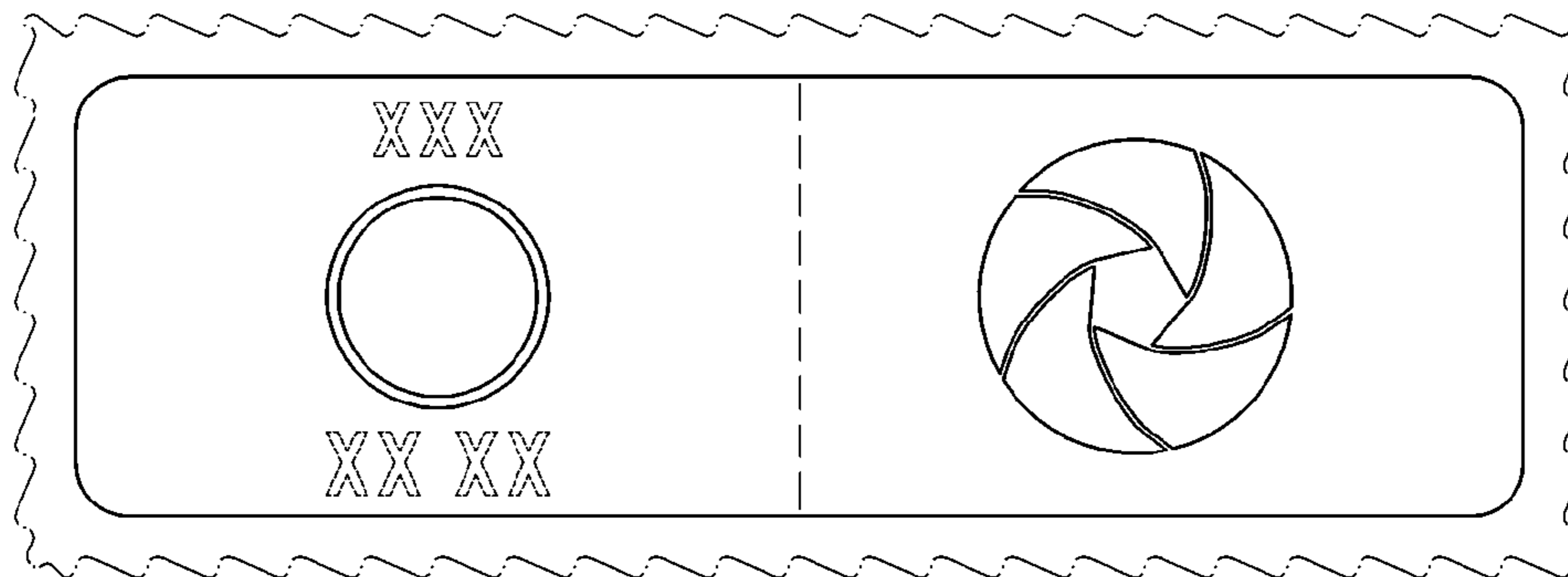
(57) **CLAIM**

The ornamental design for a portion of a display screen with icon, as shown and described.

DESCRIPTION

FIG. 1 is a front view showing a first embodiment of a portion of a display screen with icon showing our new design; and, FIG. 2 is a front view showing a second embodiment of a portion of a display screen with icon showing our new design. The broken line showing of a portion of the icon and display screen is for the purpose of illustrating environmental structure and forms no part of the claimed design.

1 Claim, 1 Drawing Sheet



(56)

References Cited

U.S. PATENT DOCUMENTS

D651,613	S *	1/2012	Ouilhet	D14/491
8,151,209	B2 *	4/2012	Law et al.	715/773
D659,152	S *	5/2012	Oda et al.	D14/485
D667,451	S *	9/2012	Wujcik et al.	D14/492
D667,452	S *	9/2012	Wujcik et al.	D14/492
D667,453	S *	9/2012	Wujcik et al.	D14/492
D667,457	S *	9/2012	Wujcik et al.	D14/492
D667,840	S *	9/2012	Anzures	D14/487
D671,134	S *	11/2012	Arnold	D14/487
D671,136	S *	11/2012	Barnett et al.	D14/487
D671,141	S *	11/2012	Peters et al.	D14/487
D671,556	S *	11/2012	Barnett et al.	D14/487
D671,557	S *	11/2012	Peters et al.	D14/487
D671,558	S *	11/2012	Anzures et al.	D14/489
D673,171	S *	12/2012	Peters et al.	D14/487
D673,172	S *	12/2012	Peters et al.	D14/487
D673,970	S *	1/2013	McManigal	D14/486
D673,971	S *	1/2013	McManigal	D14/486
D674,811	S *	1/2013	McManigal	D14/486
D675,220	S *	1/2013	McManigal	D14/486
D676,868	S *	2/2013	Wagner	D14/489
D676,870	S *	2/2013	Steele et al.	D14/492
D677,275	S *	3/2013	Wujcik et al.	D14/492
D677,278	S *	3/2013	Wujcik et al.	D14/492
D678,902	S *	3/2013	Evans	D14/492
D678,904	S *	3/2013	Phelan	D14/492
D682,298	S *	5/2013	DiJulio et al.	D14/487
D682,864	S *	5/2013	Kanalakis et al.	D14/487
D684,592	S *	6/2013	Vonder Haar et al.	D14/489
D686,241	S *	7/2013	Steele et al.	D14/489
D687,859	S *	8/2013	Oda et al.	D14/492
D688,703	S *	8/2013	Phelan	D14/492
D699,253	S *	2/2014	Kim et al.	D14/486
D699,747	S *	2/2014	Pearson et al.	D14/488
D699,750	S *	2/2014	Pearson et al.	D14/488
D700,207	S *	2/2014	Pearson et al.	D14/488
D701,532	S *	3/2014	Carter et al.	D14/488
D701,879	S *	4/2014	Foit et al.	D14/488
D702,709	S *	4/2014	Dellinger et al.	D14/489
D703,227	S *	4/2014	Abratowski	D14/489
D703,235	S *	4/2014	Ma et al.	D14/492
D706,299	S *	6/2014	Ma et al.	D14/492
D708,222	S *	7/2014	Ma et al.	D14/492
D709,908	S *	7/2014	Wujcik et al.	D14/487
D710,367	S *	8/2014	Quattrocchi	D14/485
D711,406	S *	8/2014	Hurd et al.	D14/486
D715,809	S *	10/2014	Tsukamoto et al.	D14/485
D715,810	S *	10/2014	Tsukamoto	D14/485
D715,811	S *	10/2014	Tsukamoto	D14/485
D716,323	S *	10/2014	Tsukamoto et al.	D14/485
D719,189	S *	12/2014	Brinda et al.	D14/492
D721,093	S *	1/2015	Pereira	D14/488
D722,082	S *	2/2015	Roberts et al.	D14/492
D722,324	S *	2/2015	Florence et al.	D14/488
D724,100	S *	3/2015	Williams et al.	D14/487
D726,764	S *	4/2015	Oh et al.	D14/492
2011/0264764	A1 *	10/2011	Kewalramani et al.	709/217
2012/0297304	A1 *	11/2012	Maxwell	715/728

* cited by examiner

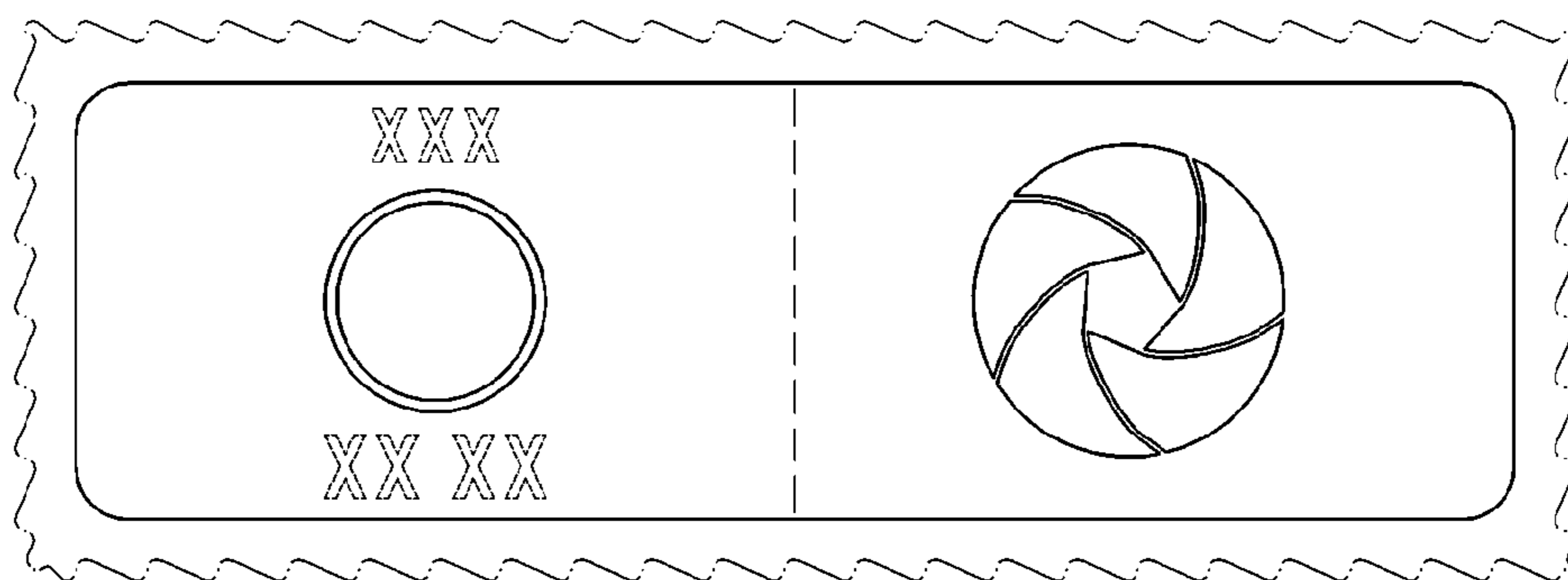


FIG. 1

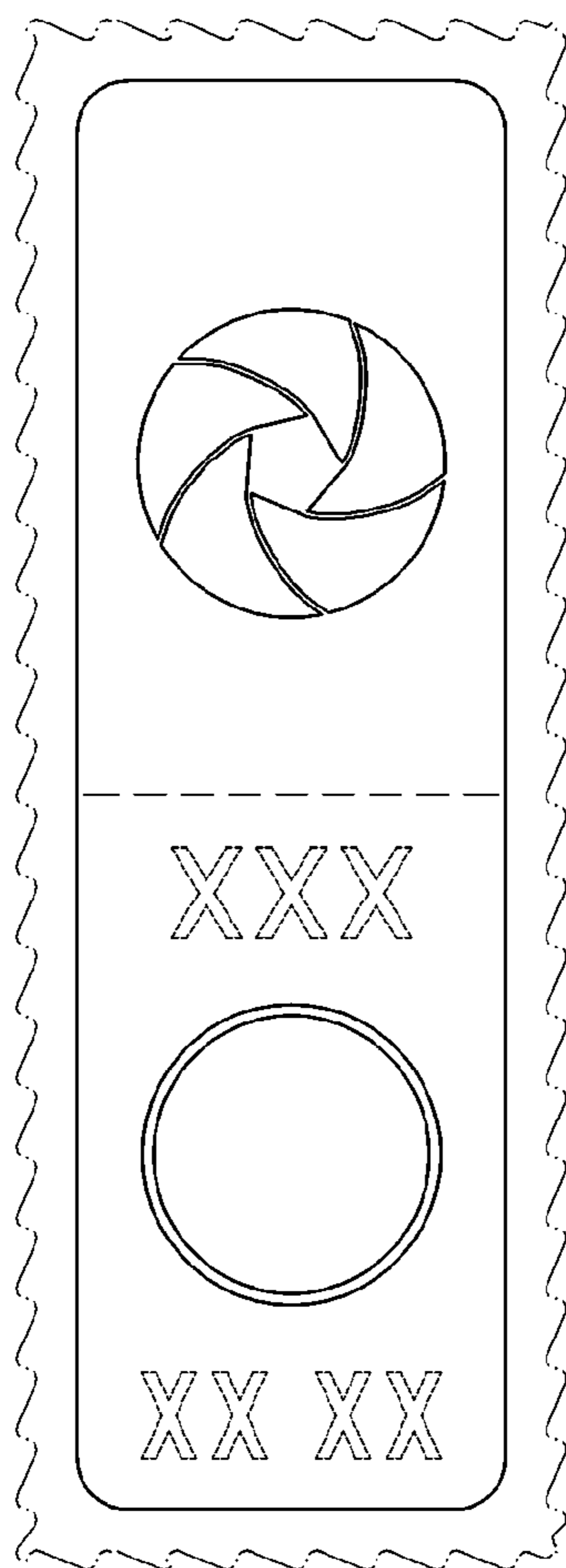


FIG. 2