



US00D739410S

(12) **United States Design Patent**
Chun

(10) **Patent No.:** **US D739,410 S**

(45) **Date of Patent:** **** Sep. 22, 2015**

(54) **ADJUSTABLE HOLDER FOR HANDHELD DEVICE**

(71) Applicant: **James K. Chun**, Fremont, CA (US)

(72) Inventor: **James K. Chun**, Fremont, CA (US)

(**) Term: **14 Years**

(21) Appl. No.: **29/450,923**

(22) Filed: **Mar. 26, 2013**

(51) **LOC (10) Cl.** **14-04**

(52) **U.S. Cl.**
USPC **D14/447**

(58) **Field of Classification Search**

USPC D14/447, 432, 433, 434, 439, 440, 451, D14/452, 457, 459, 460, 461, 251, 253, 448, D14/449, 450; D9/433, 455, 457; D20/10, D20/25; D6/672, 674, 674.1, 678, 682, D6/682.3; 40/124.05, 124.06, 124.07, 40/124.08, 124.09, 124.14, 124.16, 539; 248/917-924, 445, 447.1, 451, 456, 248/459, 460, 150, 152, 174, 188.6, 176.1; 361/679.02, 679.09, 679.21, 679.26, 361/679.3, 679.27, 679.55, 679.56

See application file for complete search history.

(56) **References Cited**

U.S. PATENT DOCUMENTS

7,537,190	B2 *	5/2009	Fan	248/309.1
D645,462	S *	9/2011	Choi	D14/253
D646,315	S *	10/2011	Orf	D16/242
D646,674	S *	10/2011	Liao	D14/253
D650,774	S *	12/2011	Molter	D14/239
D658,169	S *	4/2012	Mo	D14/253
D670,284	S *	11/2012	Choi	D14/253
D670,690	S *	11/2012	Daniel et al.	D14/253
8,424,825	B2 *	4/2013	Somuah	248/316.4
D684,979	S *	6/2013	Chun	D14/447
D684,980	S *	6/2013	Chun	D14/447
D685,379	S *	7/2013	Richter	D14/447

D693,352 S * 11/2013 Gelsomini et al. D14/447

* cited by examiner

Primary Examiner — Angela J Lee

(74) *Attorney, Agent, or Firm* — Dean A. Craine

(57) **CLAIM**

The ornamental design for an adjustable holder for a handheld device.

DESCRIPTION

FIG. 1 is a front top perspective view of an adjustable holder for a handheld device shown in an unfolded, non expanded configuration.

FIG. 2 is a front elevational view of the adjustable holder shown in FIG. 1.

FIG. 3 is a rear elevational view of the adjustable holder shown in FIG. 1.

FIG. 4 is a left side elevational view of the adjustable holder shown in FIG. 1.

FIG. 5 is a right side elevational view of the adjustable holder shown in FIG. 1.

FIG. 6 is a top plan view of the adjustable holder shown in FIG. 1.

FIG. 7 is a bottom plan view of the adjustable holder shown in FIG. 1.

FIG. 8 is a front perspective view of the adjustable holder shown in FIG. 1 in an unfolded, expanded configuration.

FIG. 9 is a front elevational view the adjustable holder shown in FIG. 8.

FIG. 10 is a rear elevational of the adjustable holder shown FIG. 8.

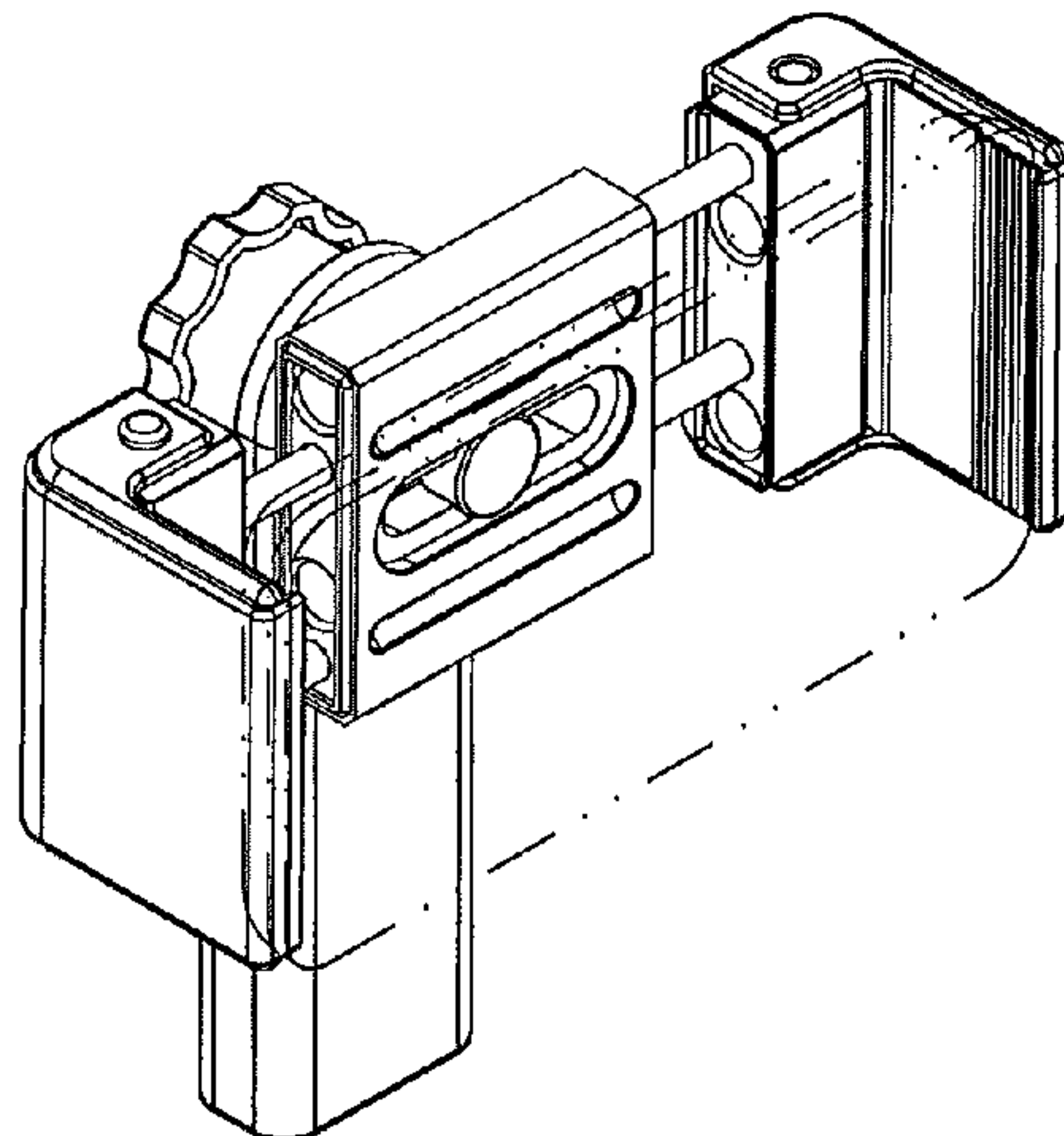
FIG. 11 is a front perspective view of the adjustable holder shown in FIGS. 1 and 8 in a folded, stored configuration.

FIG. 12 is a bottom plan view of the adjustable holder shown in FIG. 11; and,

FIG. 13 is a left side elevational view of the adjustable holder shown in FIGS. 11 and 12.

The broken lines shown in the drawings illustrate unclaimed portions of a handheld device used with the invention and form no part of the claimed design.

1 Claim, 4 Drawing Sheets



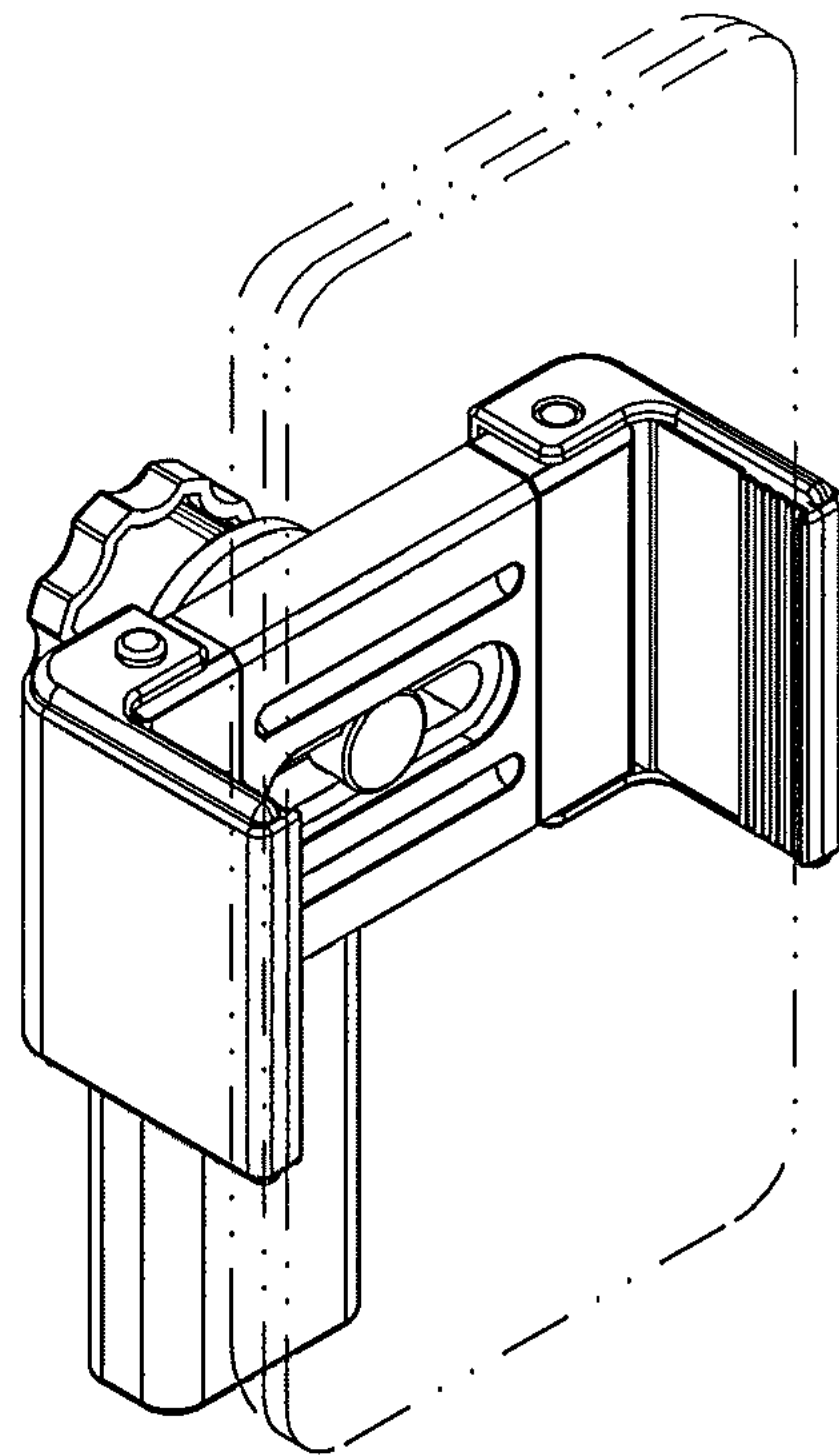


Fig. 1

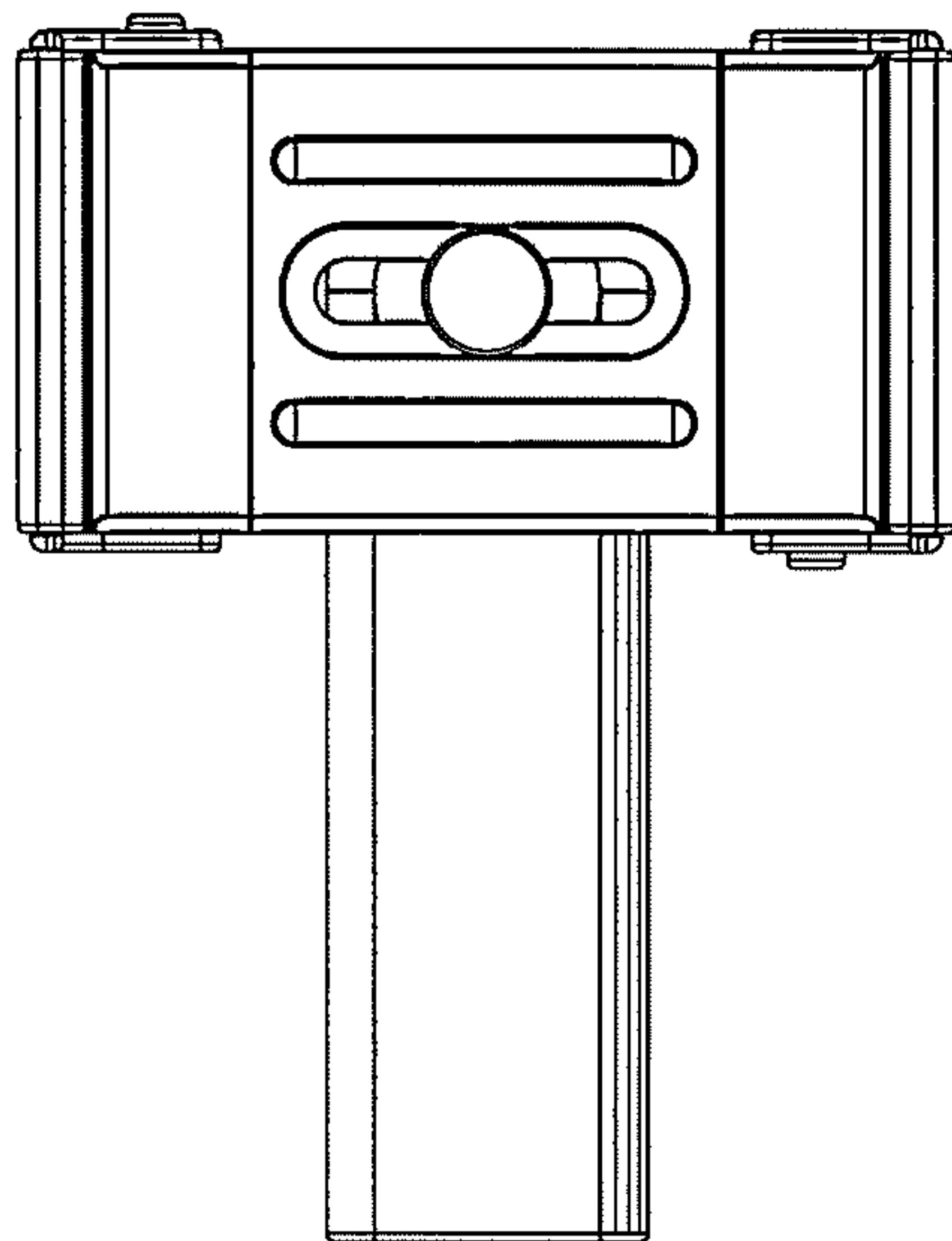


Fig. 2

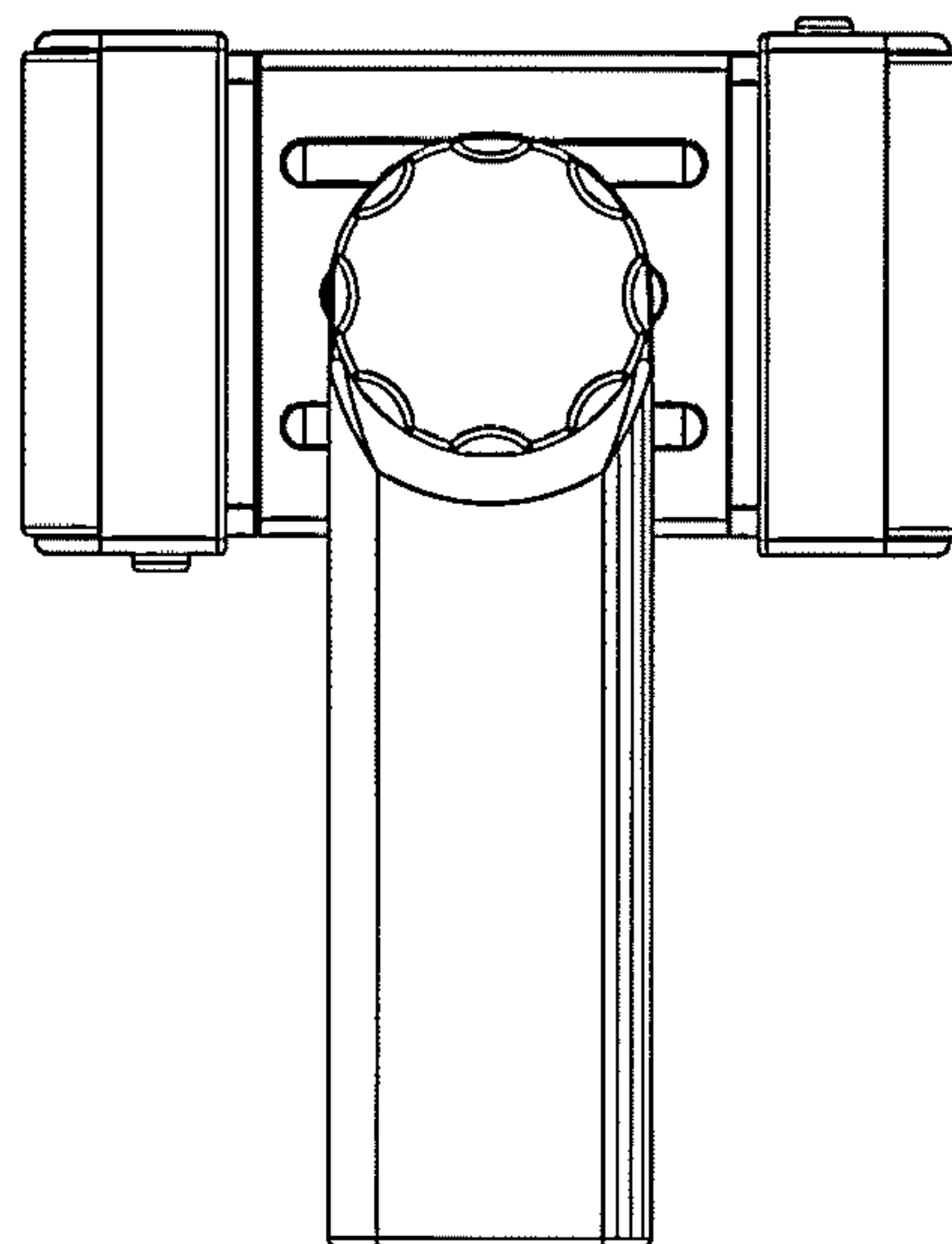


Fig. 3

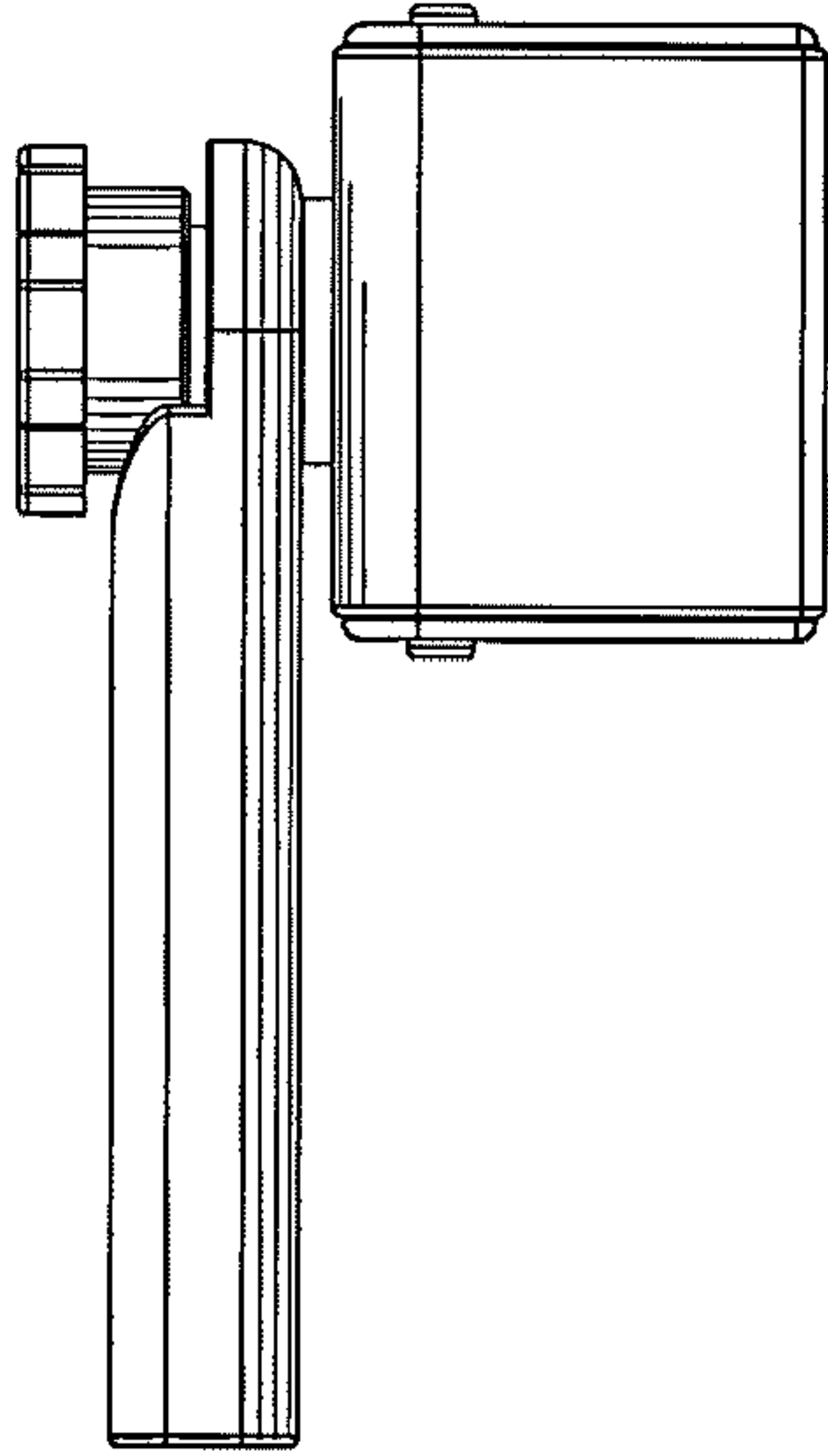


Fig. 4

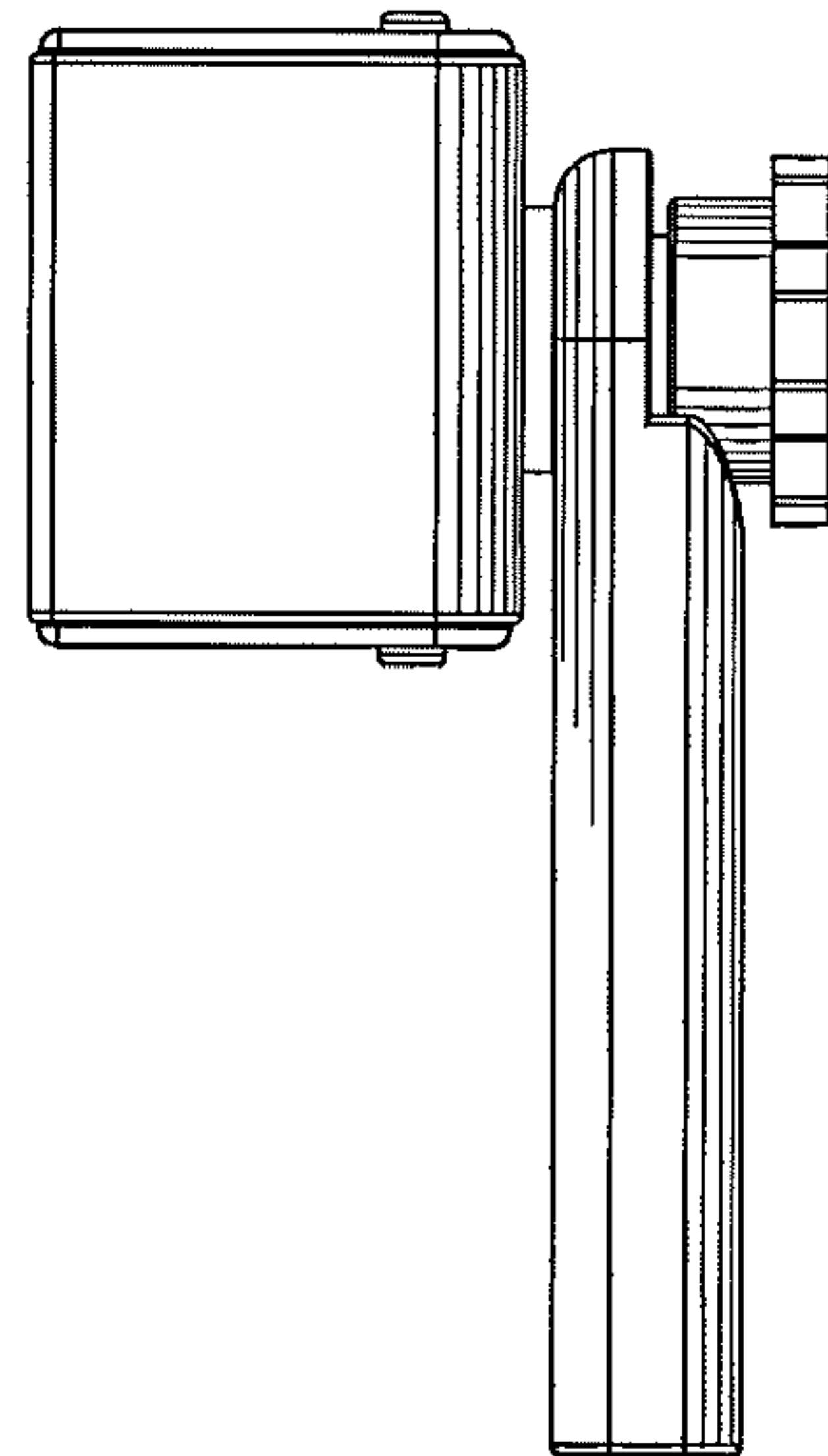


Fig. 5

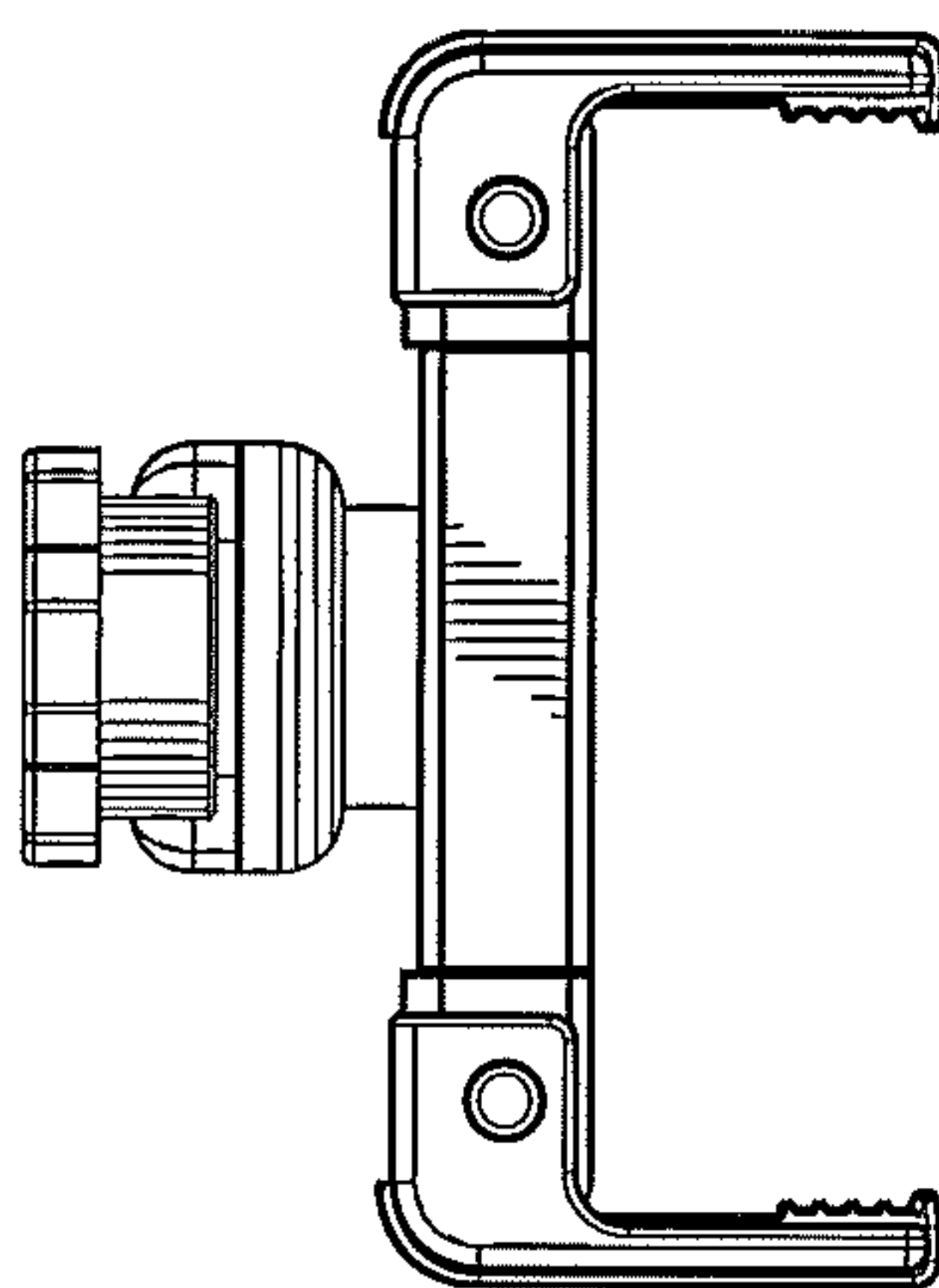


Fig. 6

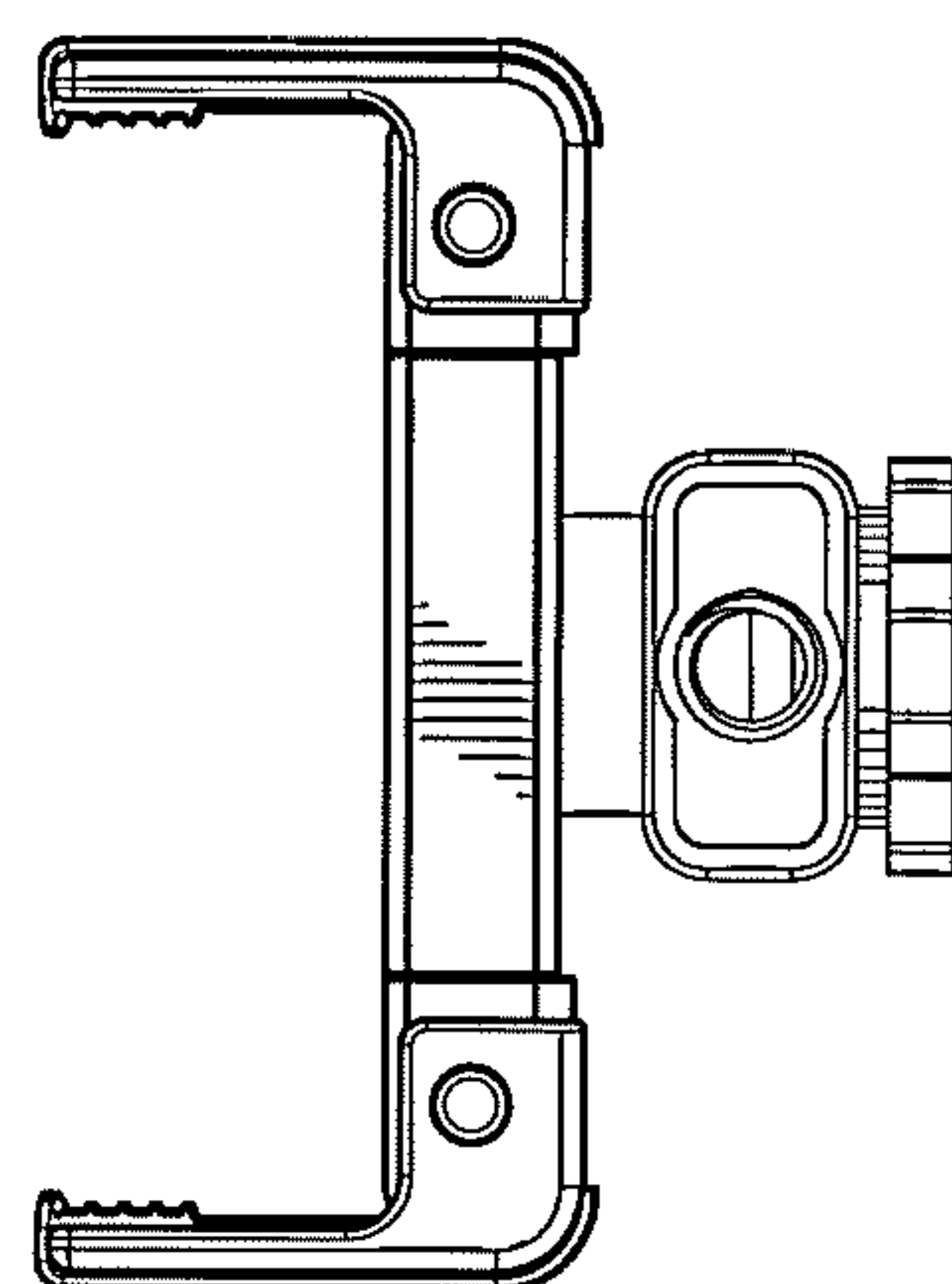


Fig. 7

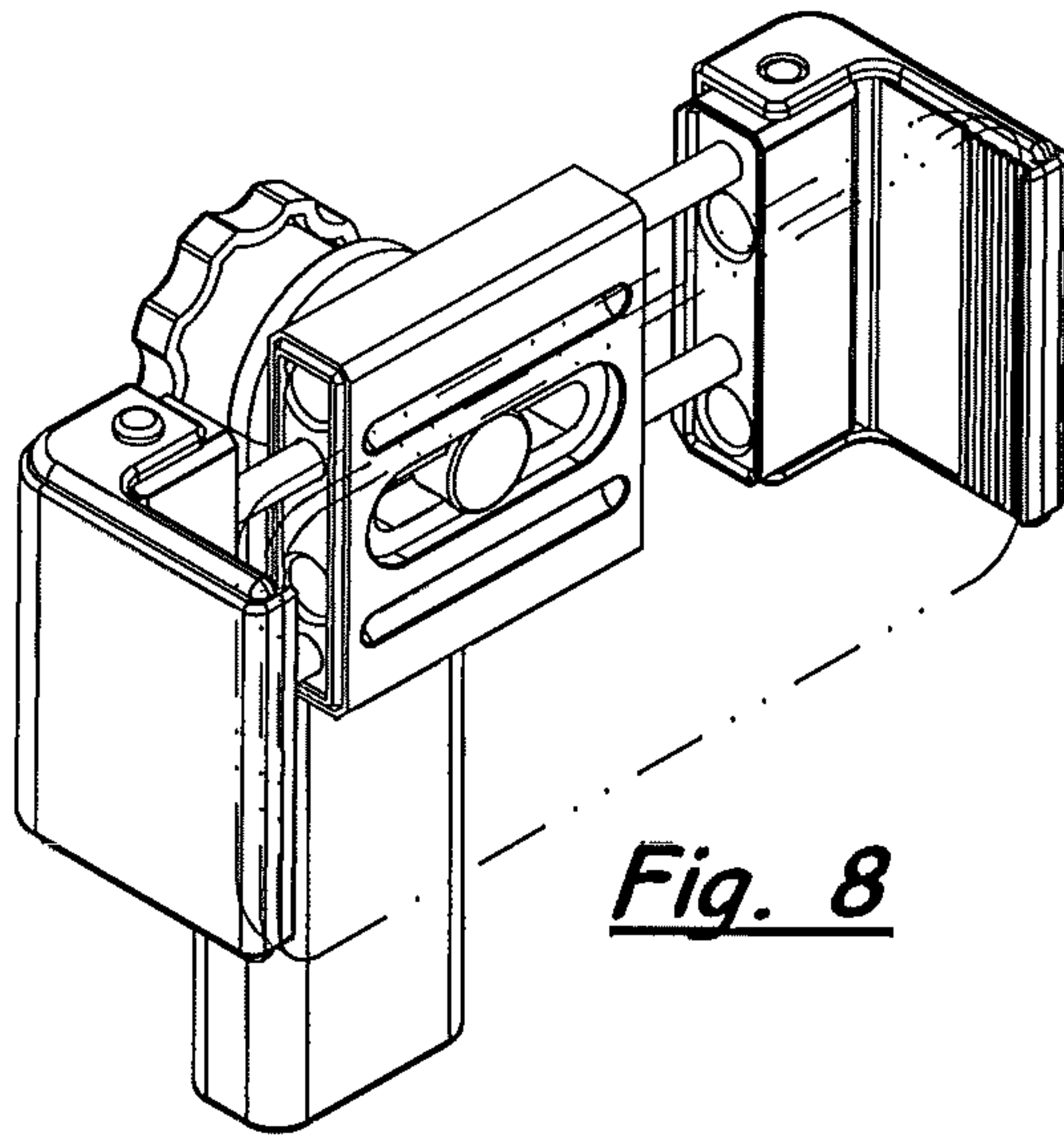


Fig. 8

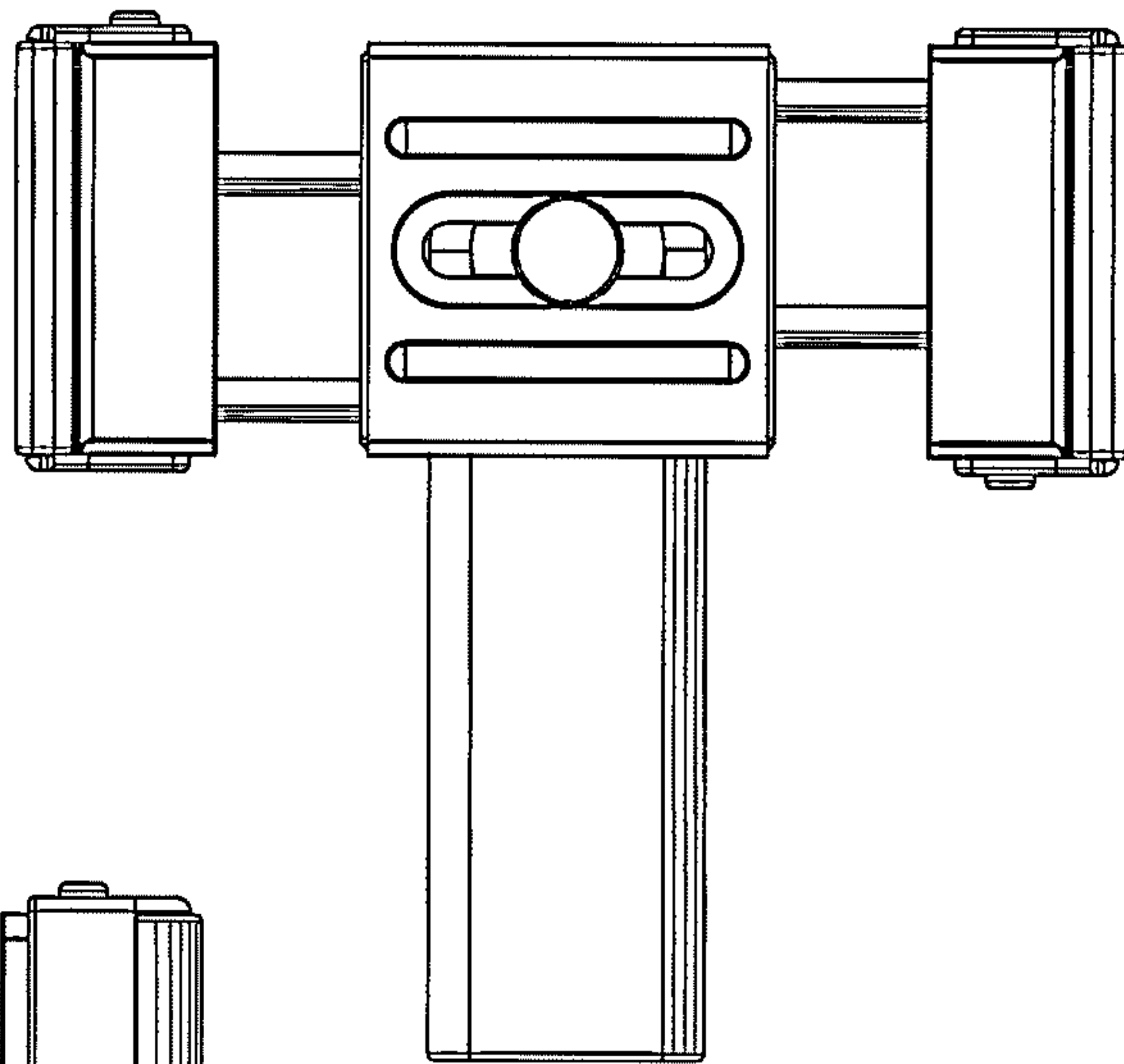


Fig. 9

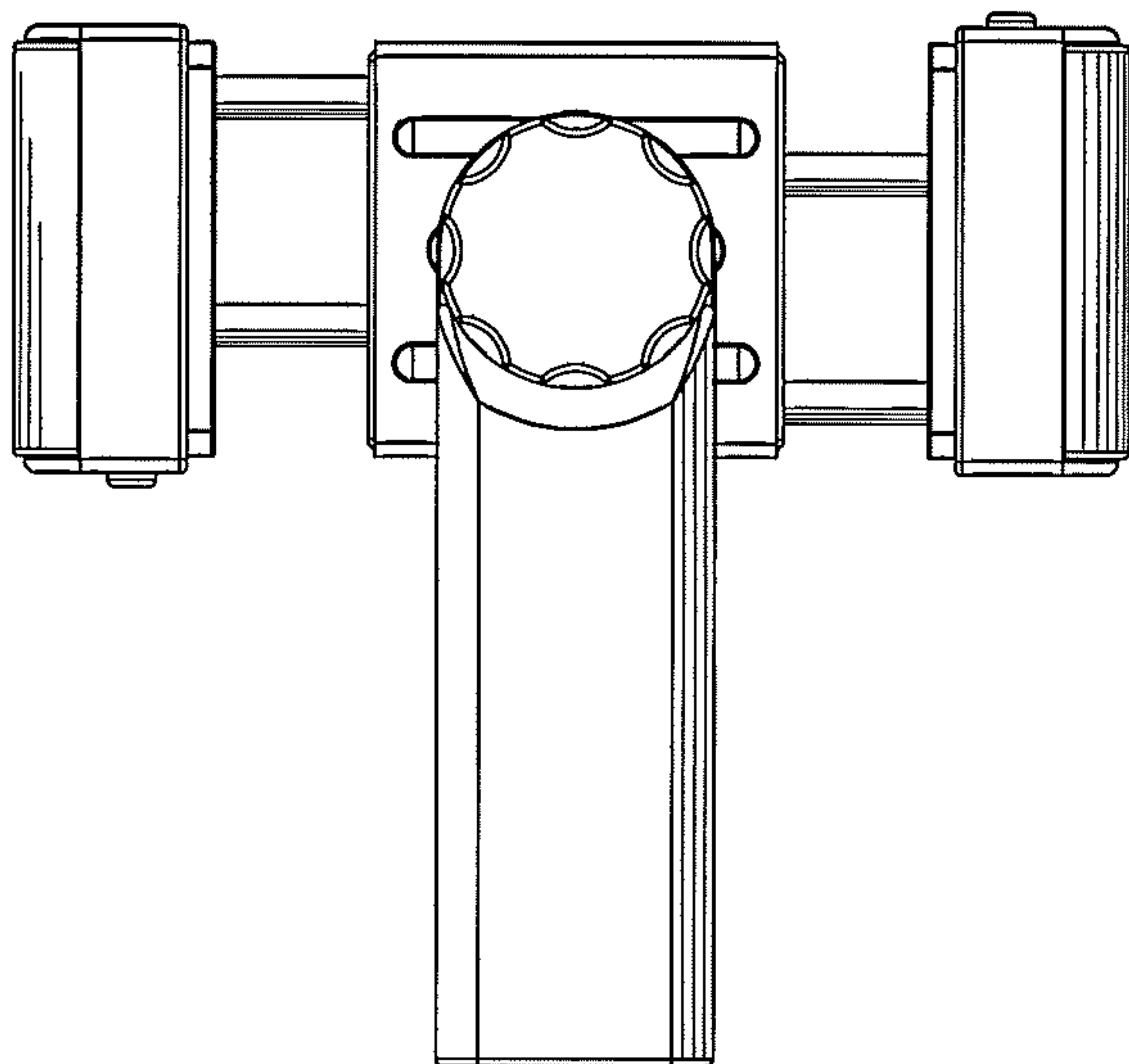


Fig. 10

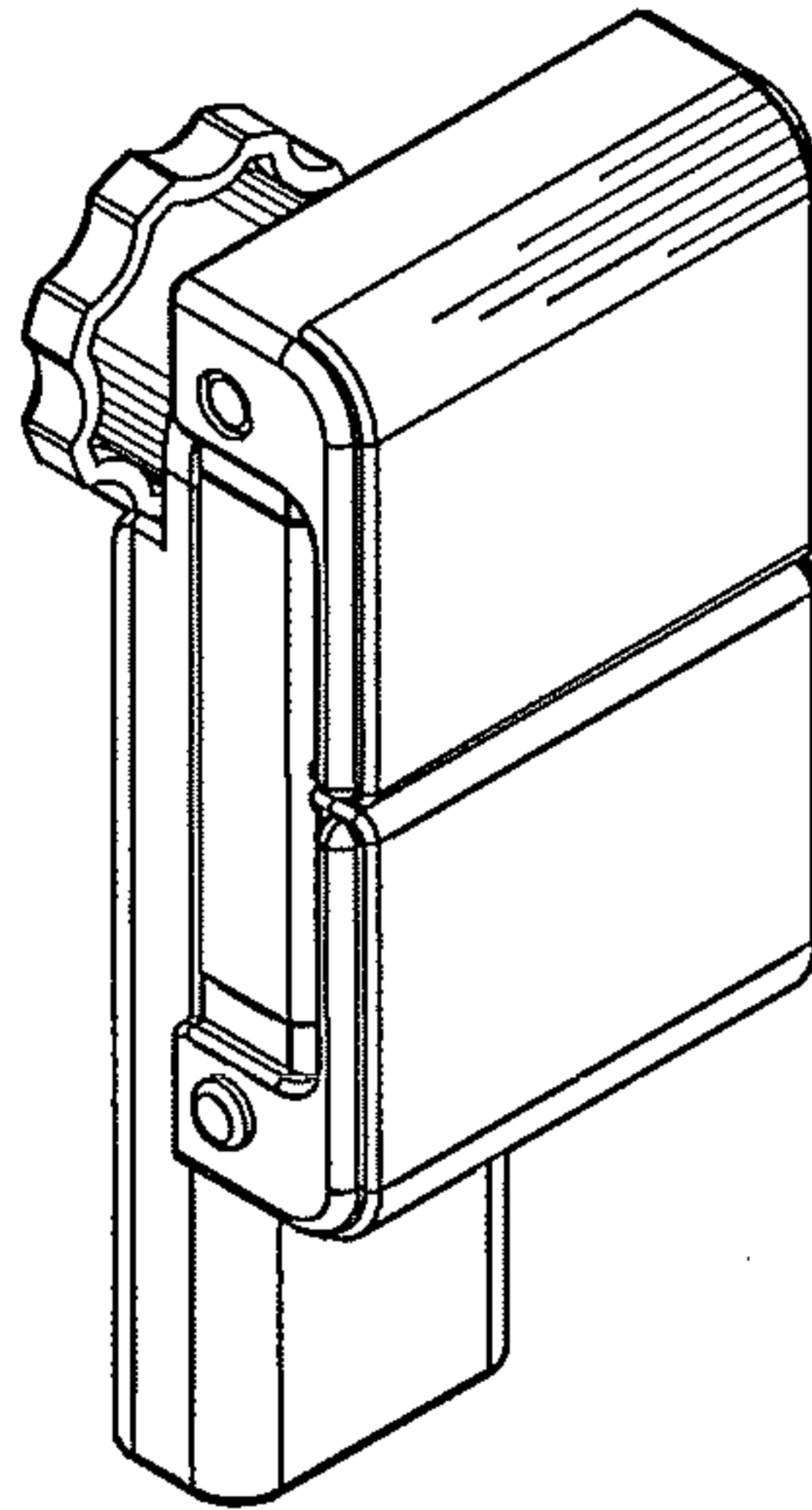


Fig. 11

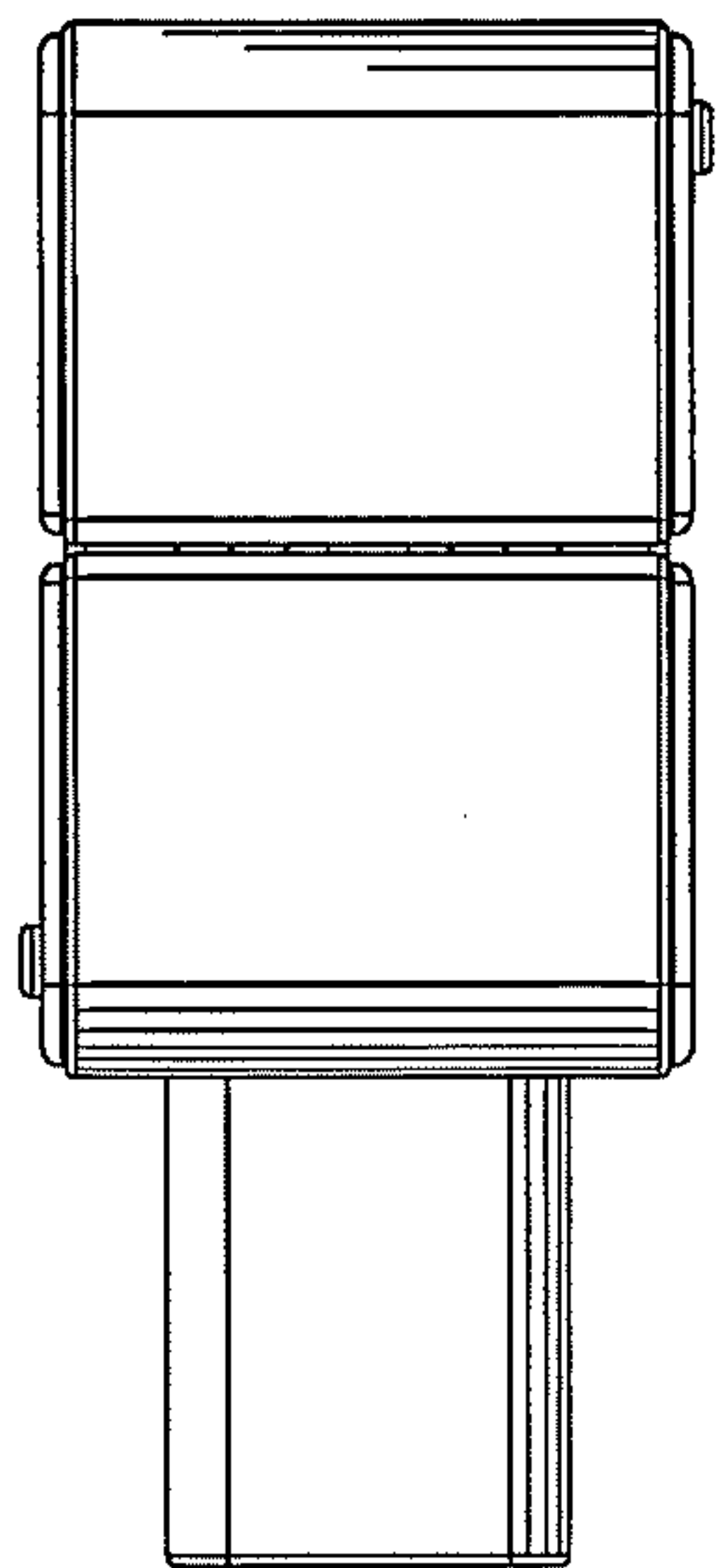


Fig. 12

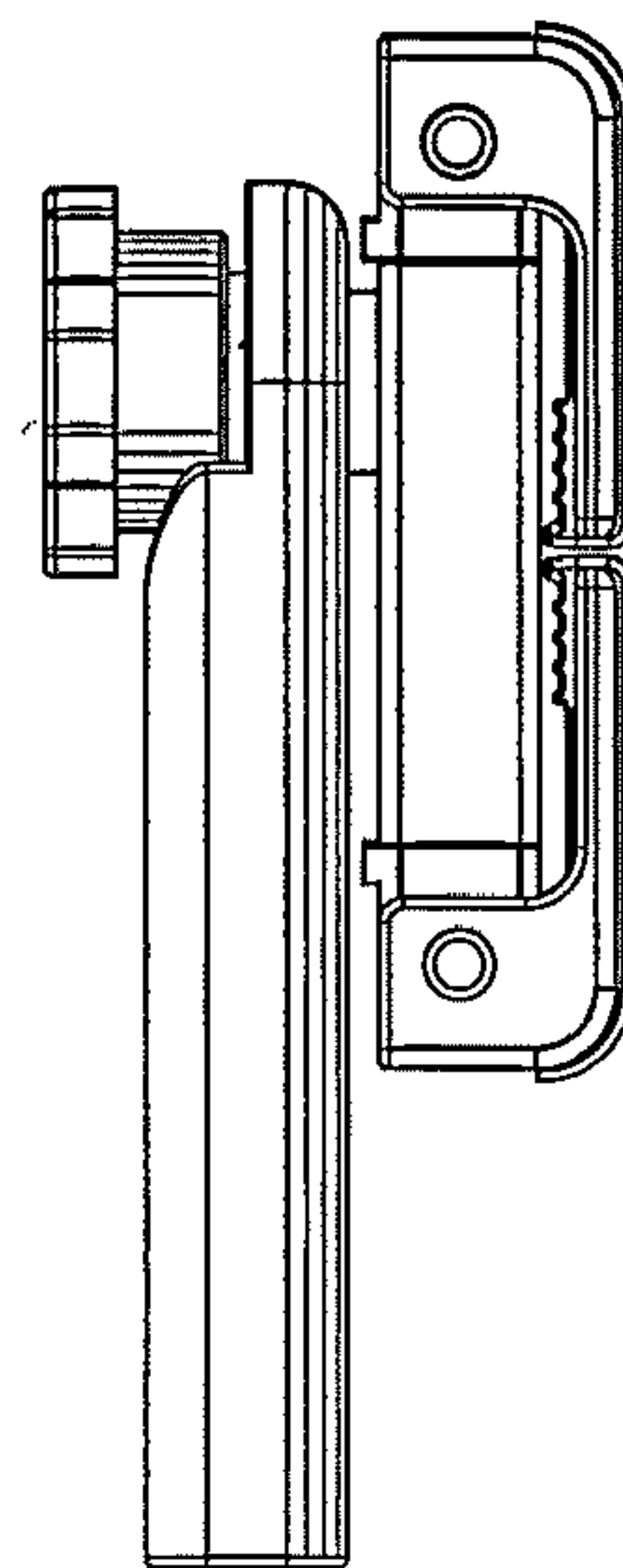


Fig. 13