



US00D739409S

(12) **United States Design Patent**  
**Terwilliger et al.**

(10) **Patent No.:** **US D739,409 S**

(45) **Date of Patent:** **\*\* Sep. 22, 2015**

(54) **INFORMATION HANDLING SYSTEM BEZEL  
MODULE**

(71) Applicant: **Dell Products L.P.**, Round Rock, TX  
(US)

(72) Inventors: **Kevin D. Terwilliger**, Austin, TX (US);  
**Richard A. Crisp**, Austin, TX (US);  
**Mark Gilson**, Austin, TX (US)

(73) Assignee: **Dell Products L.P.**, Round Rock, TX  
(US)

(\*\*) Term: **14 Years**

(21) Appl. No.: **29/486,771**

(22) Filed: **Apr. 2, 2014**

(51) **LOC (10) Cl.** ..... **14-02**

(52) **U.S. Cl.**  
USPC ..... **D14/443**

(58) **Field of Classification Search**  
USPC ..... D14/240, 300, 301, 308, 313, 314,  
D14/348-356, 364-368, 441-446;  
D13/162, 184, 199; 312/223.1-223.3,  
312/351.11; 360/99.01-99.12;  
369/34.01-36.01; 361/679.31-679.33,  
361/679.37, 679.39, 679.46, 679.53, 679.4,  
361/679.41, 727  
CPC ..... G06F 1/20; G06F 1/181; G06F 1/187;  
H05K 7/16; H05K 7/20; H05K 7/1424  
See application file for complete search history.

(56) **References Cited**

U.S. PATENT DOCUMENTS

D484,139 S *	12/2003	Burmeister	.....	D14/444
D485,845 S *	1/2004	Burmeister	.....	D14/444
D566,120 S *	4/2008	Dearborn et al.	.....	D14/446
D588,137 S *	3/2009	Lawrence et al.	.....	D14/444
D643,434 S *	8/2011	Grady et al.	.....	D14/442

\* cited by examiner

*Primary Examiner* — Freda S Nunn

(74) *Attorney, Agent, or Firm* — Terrile, Cannatti, Chambers  
& Holland, LLP; Robert W. Holland

(57) **CLAIM**

We claim the ornamental design for an information handling system bezel module, as shown and described.

**DESCRIPTION**

FIG. 1 is a front perspective view of the information handling system bezel module in a closed position comprising the present invention;

FIG. 2 is a front view thereof;

FIG. 3 is a rear view thereof;

FIG. 4 is a left side view thereof;

FIG. 5 is a right side view thereof;

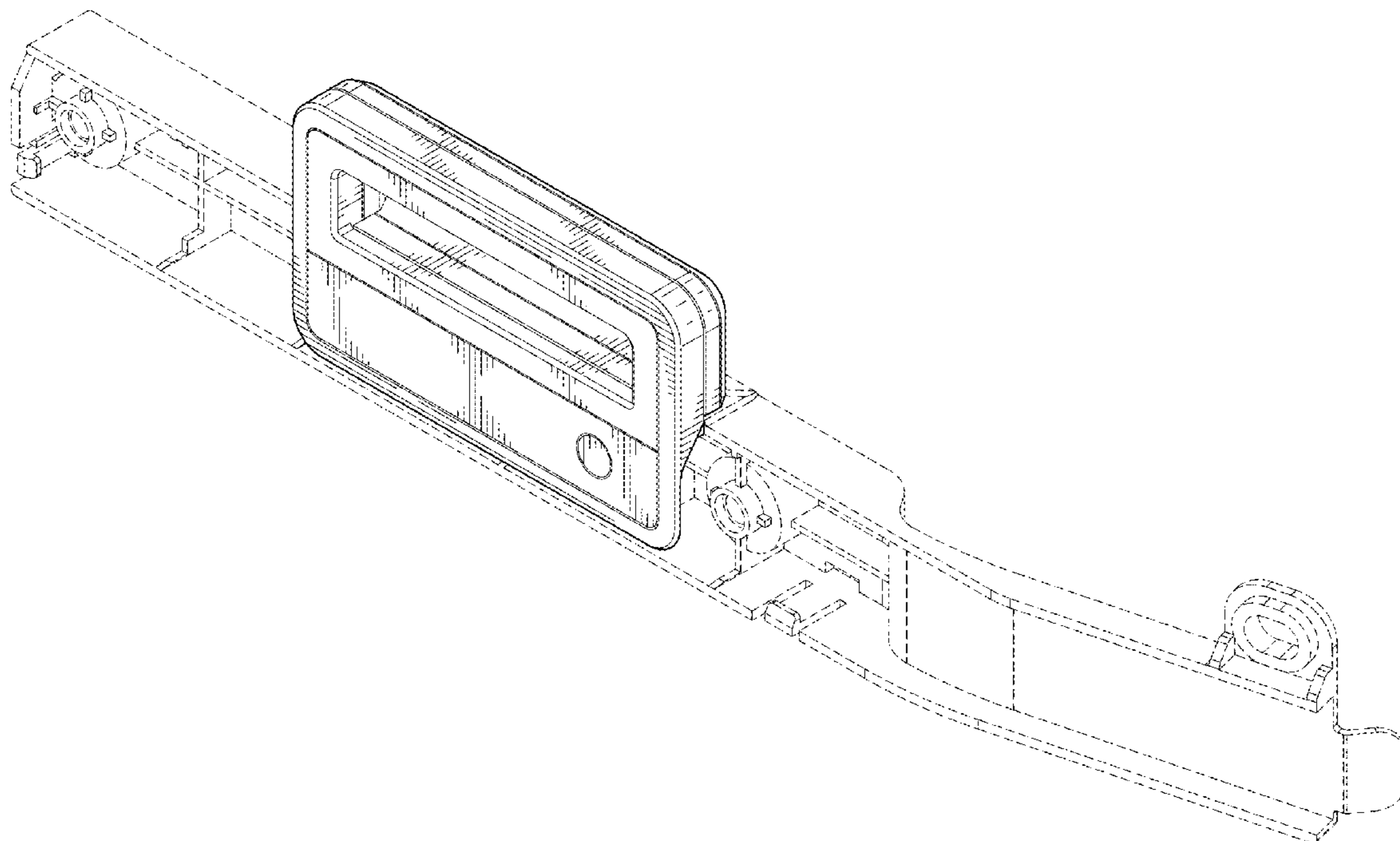
FIG. 6 is a top view thereof;

FIG. 7 is a bottom view thereof; and,

FIG. 8 is a front perspective view thereof.

Broken lines shown in the drawings illustrate portions of the information handling system bezel module, and form no part of the claimed design.

**1 Claim, 5 Drawing Sheets**



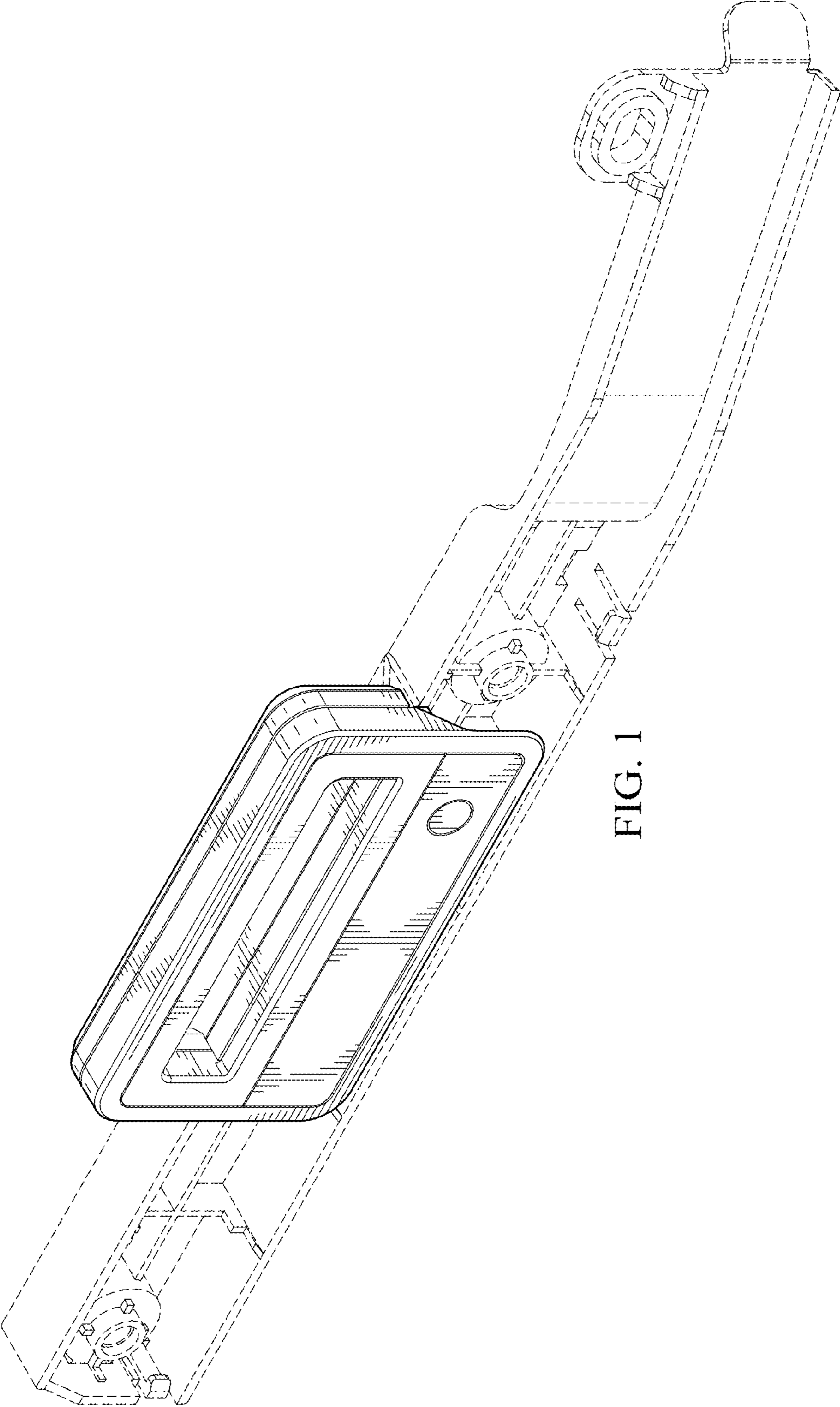


FIG. 1

FIG. 2

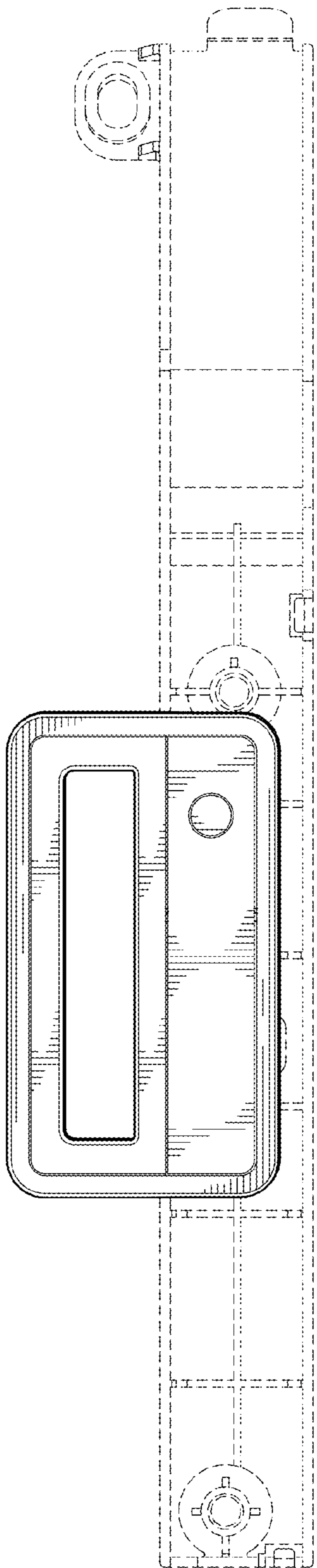
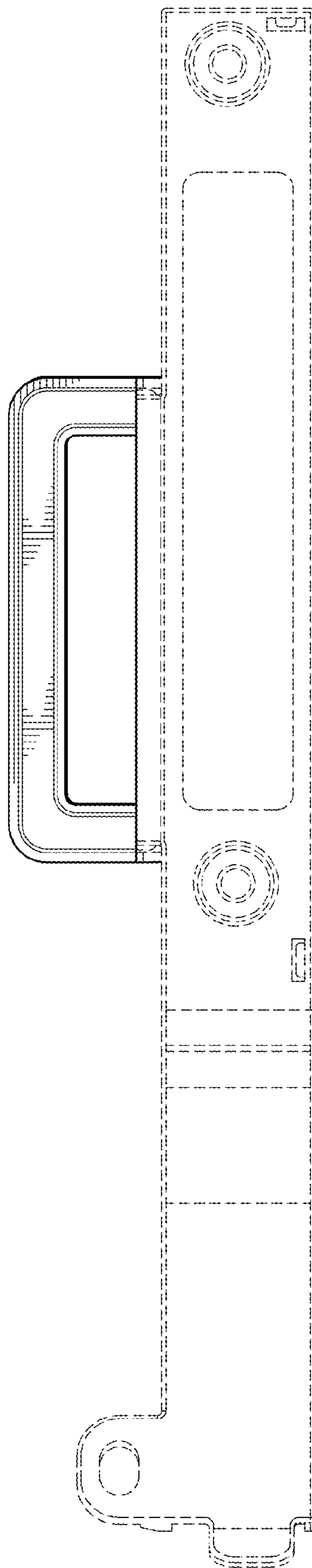


FIG. 3



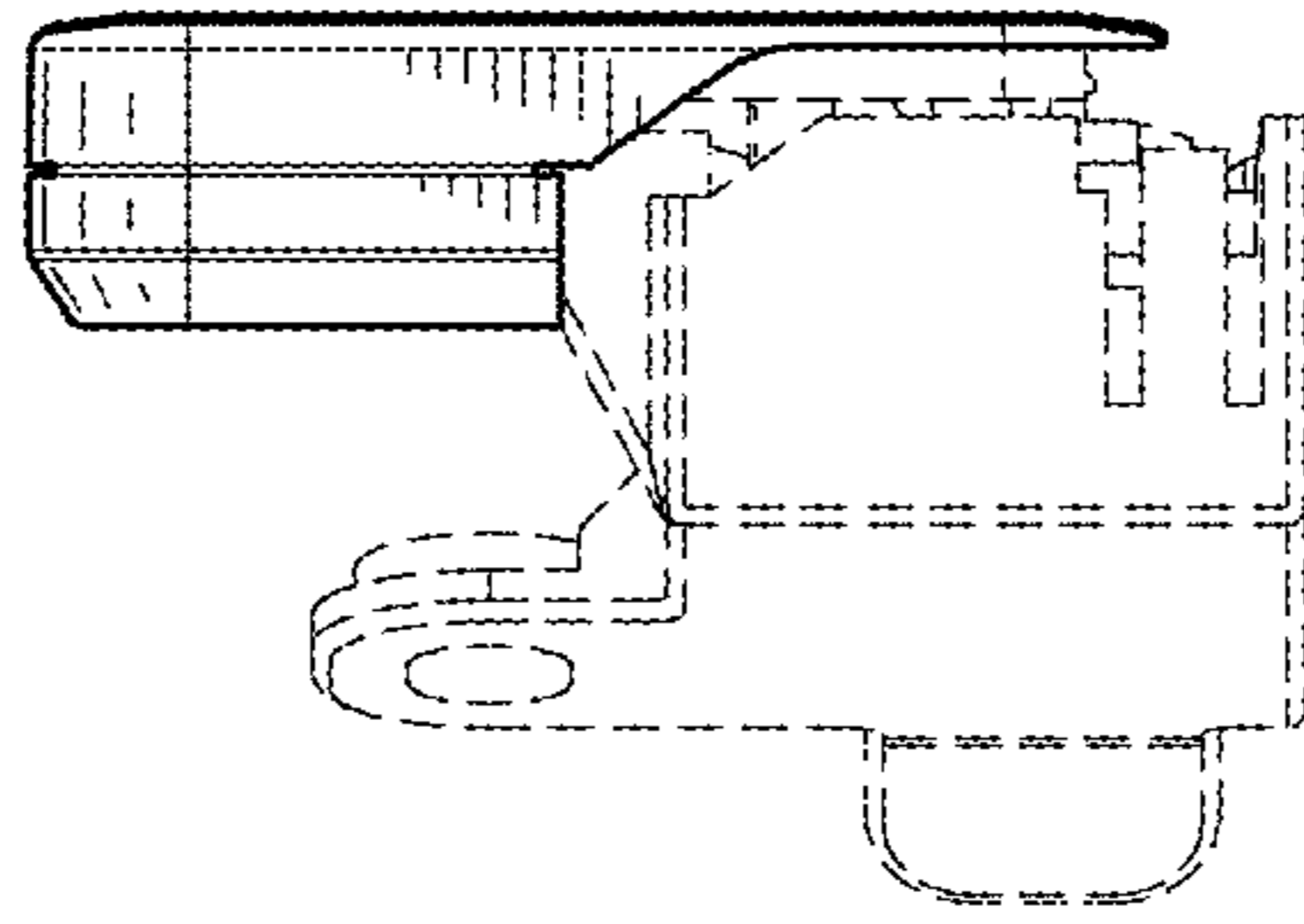


FIG. 5

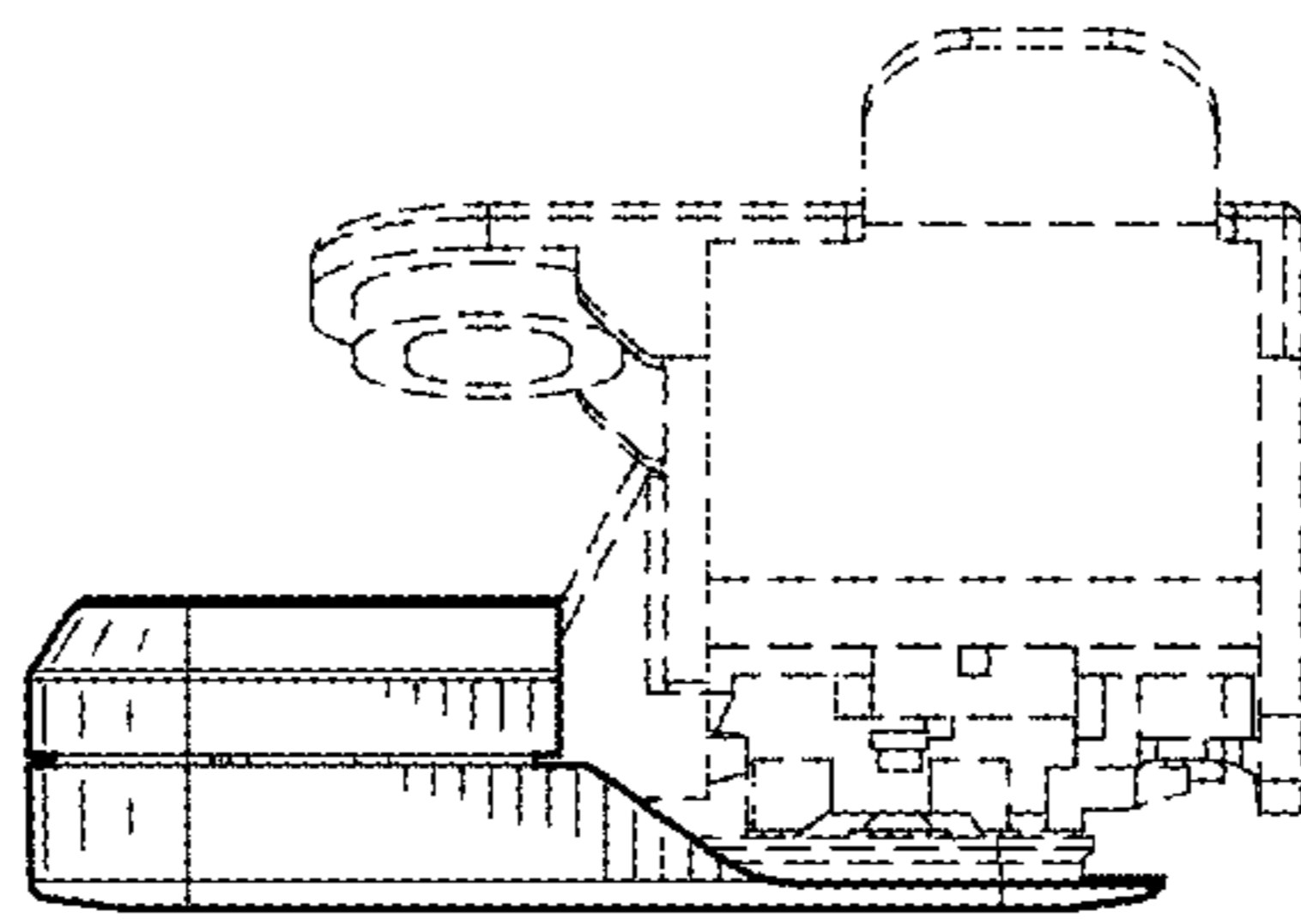


FIG. 4

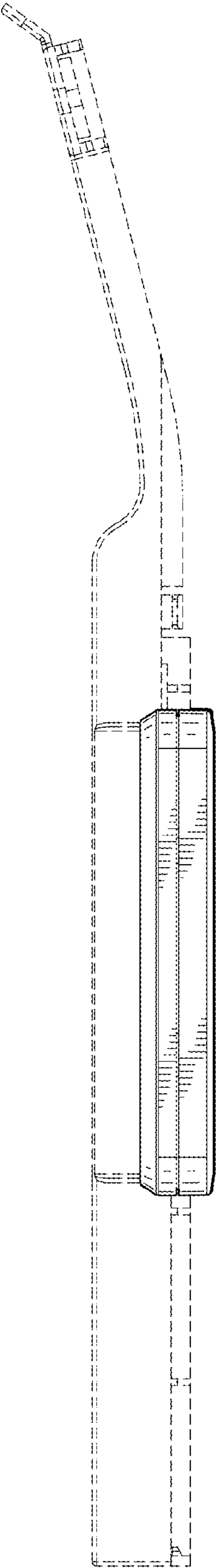


FIG. 6

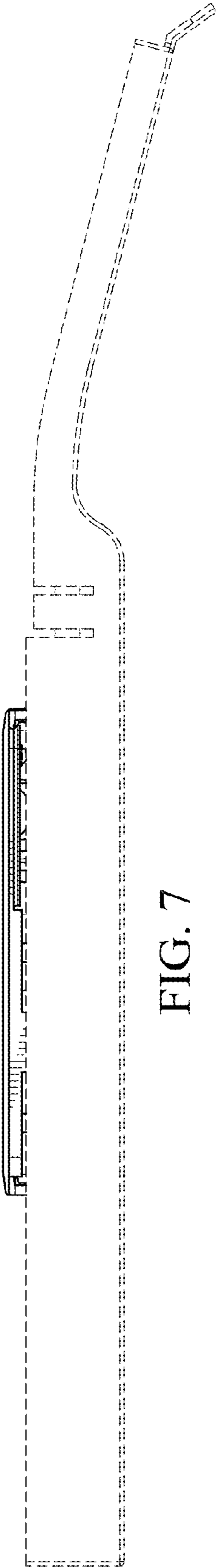


FIG. 7

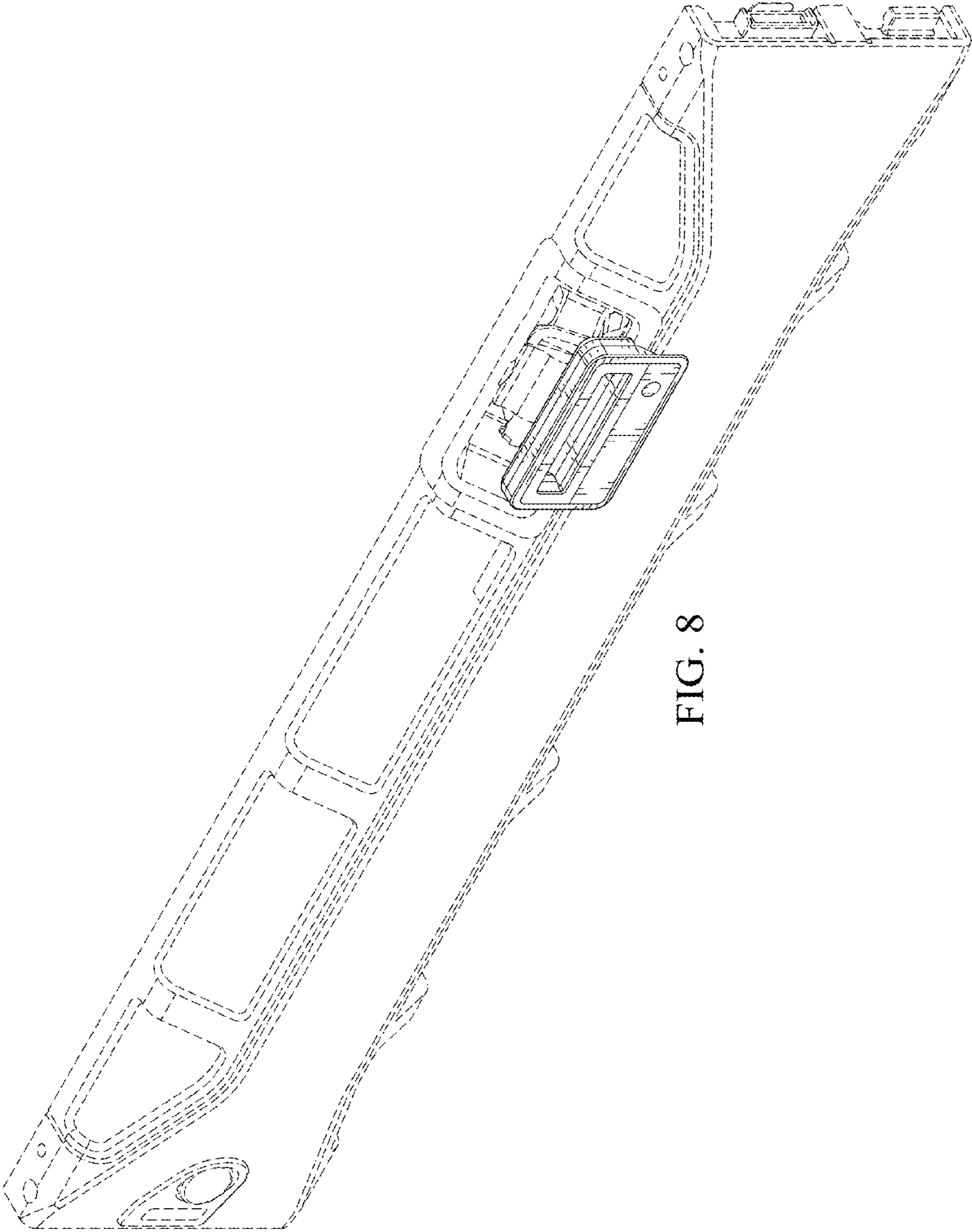


FIG. 8