



US00D739406S

(12) **United States Design Patent**  
**Jost**

(10) **Patent No.:** **US D739,406 S**

(45) **Date of Patent:** **\*\* Sep. 22, 2015**

(54) **COMPUTER MOUSE**

(71) Applicant: **Andreas Jost**, Hamburg (DE)

(72) Inventor: **Andreas Jost**, Hamburg (DE)

(73) Assignee: **ROCCAT GMBH**, Hamburg (DE)

(\*\*) Term: **14 Years**

(21) Appl. No.: **29/485,124**

(22) Filed: **Mar. 16, 2014**

(30) **Foreign Application Priority Data**

Jan. 7, 2014	(DE)	2 381 228-0001
Jan. 7, 2014	(DE)	2 381 228-0002
Jan. 7, 2014	(DE)	2 381 228-0003

(51) **LOC (10) Cl.** ..... **14-02**

(52) **U.S. Cl.**  
USPC ..... **D14/409**

(58) **Field of Classification Search**  
USPC ..... D14/402-411, 356, 388, 389, 383-385,  
D14/417, 426; 345/156-167; 463/36-38;  
358/471, 473; 273/148 B  
CPC ..... G06F 3/03543; G06F 2203/0333;  
G06F 3/039; G06F 3/038; G06F 2203/0384  
See application file for complete search history.

(56) **References Cited**

U.S. PATENT DOCUMENTS

D593,099	S	*	5/2009	Kujawski et al.	.....	D14/409
D597,546	S	*	8/2009	Kujawski et al.	.....	D14/409
D620,009	S	*	7/2010	Lin et al.	.....	D14/409
D624,918	S	*	10/2010	Kujawski et al.	.....	D14/409
D638,428	S	*	5/2011	Kujawski et al.	.....	D14/409
D665,392	S	*	8/2012	Jost	.....	D14/409
D667,410	S	*	9/2012	Altaai	.....	D14/417
D669,895	S	*	10/2012	Li et al.	.....	D14/409
D680,113	S	*	4/2013	Li et al.	.....	D14/409
D681,039	S	*	4/2013	Altaai	.....	D14/417

\* cited by examiner

*Primary Examiner* — Austin Murphy

(74) *Attorney, Agent, or Firm* — Inventa Capital PLC

(57) **CLAIM**

I claim the ornamental design for a computer mouse, as shown and described.

**DESCRIPTION**

FIG. 1 is a back view of a computer mouse of the present invention;  
FIG. 2 is a front view of the computer mouse;  
FIG. 3 is a right side view of the computer mouse;  
FIG. 4 is a perspective view of the computer mouse taken from the back;  
FIG. 5 is a perspective view of the computer mouse taken from the front; and,  
FIG. 6 is a top view of the computer mouse.

**1 Claim, 4 Drawing Sheets**

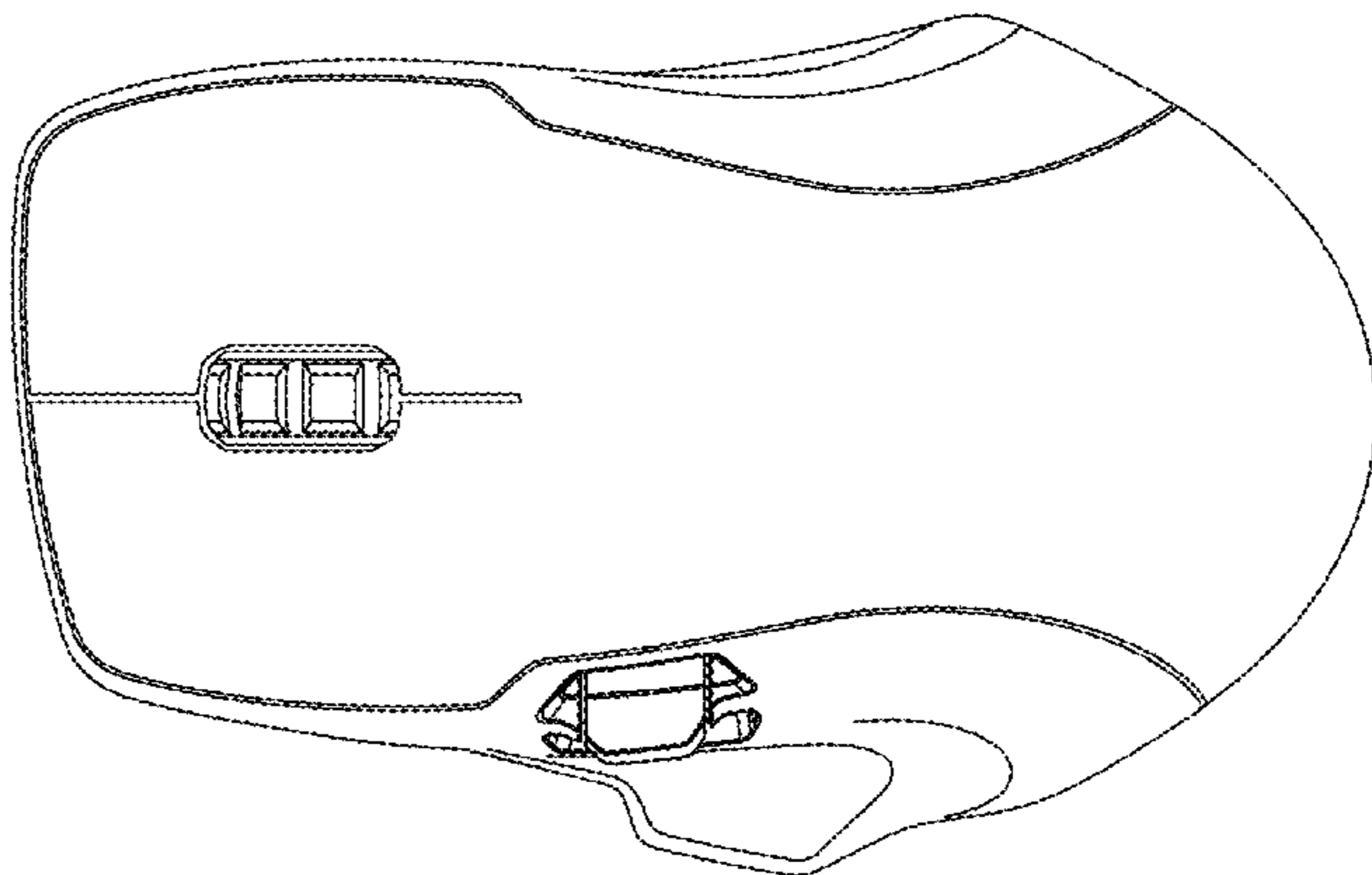
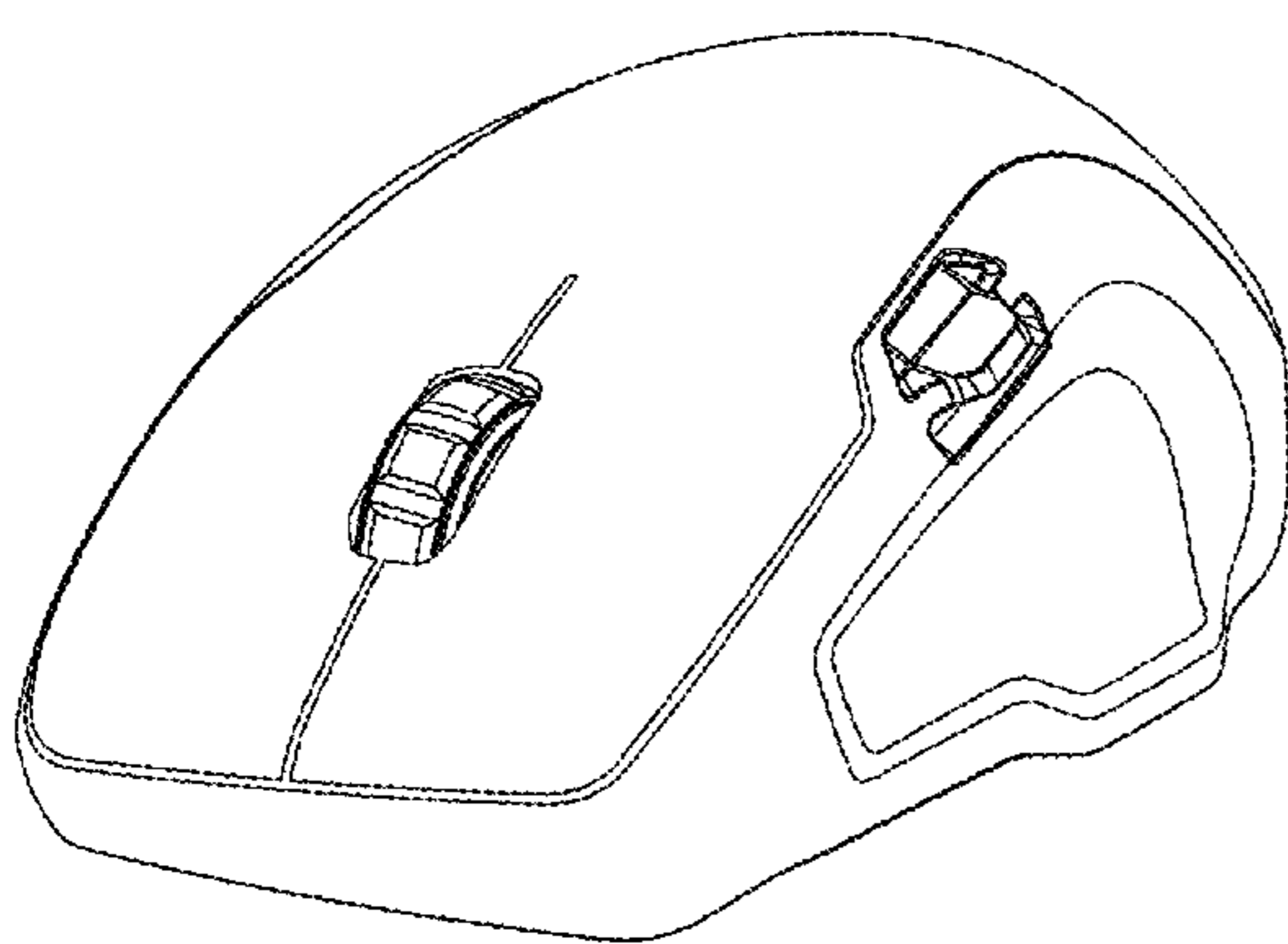


FIGURE 1

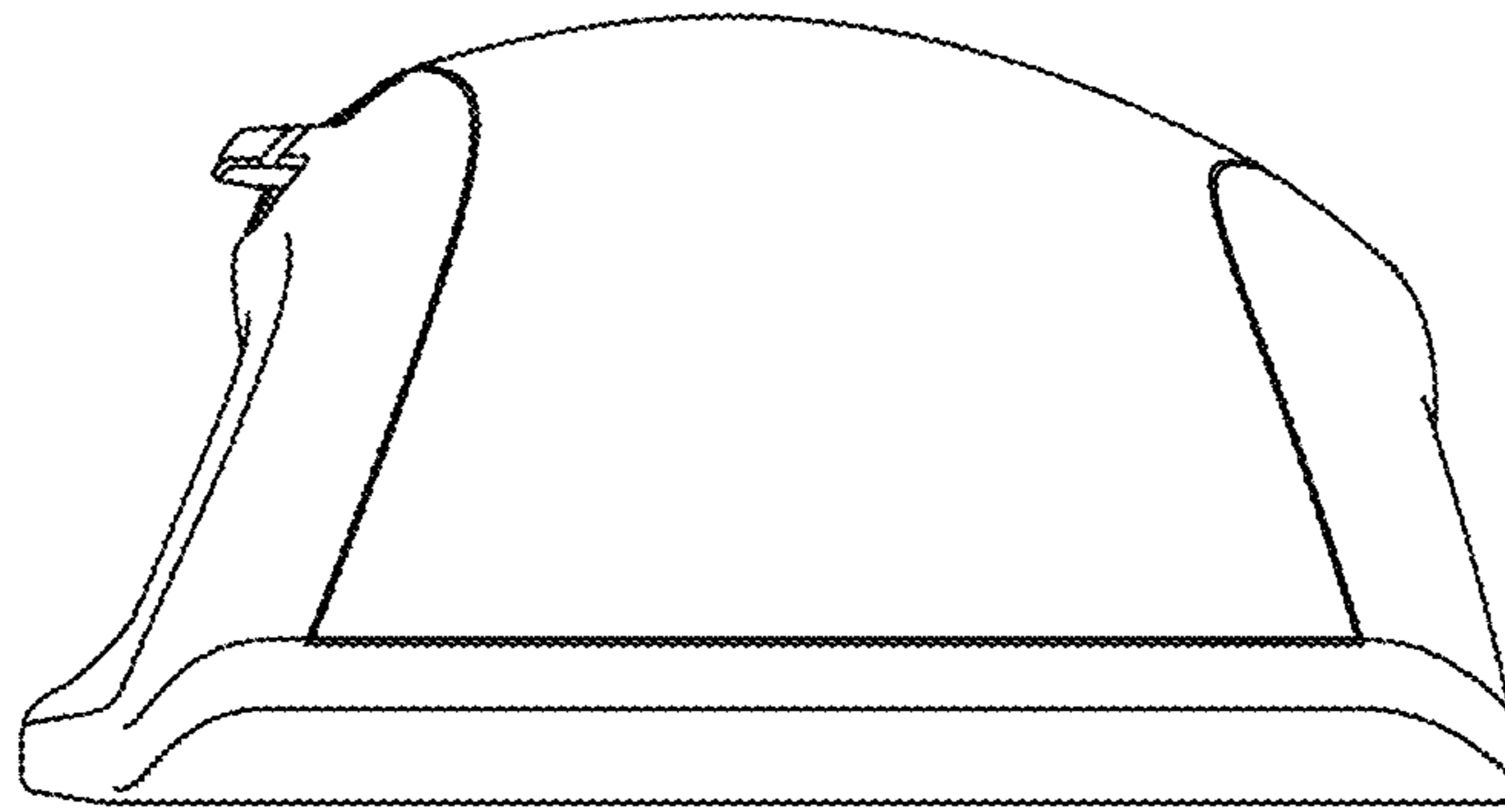


FIGURE 2

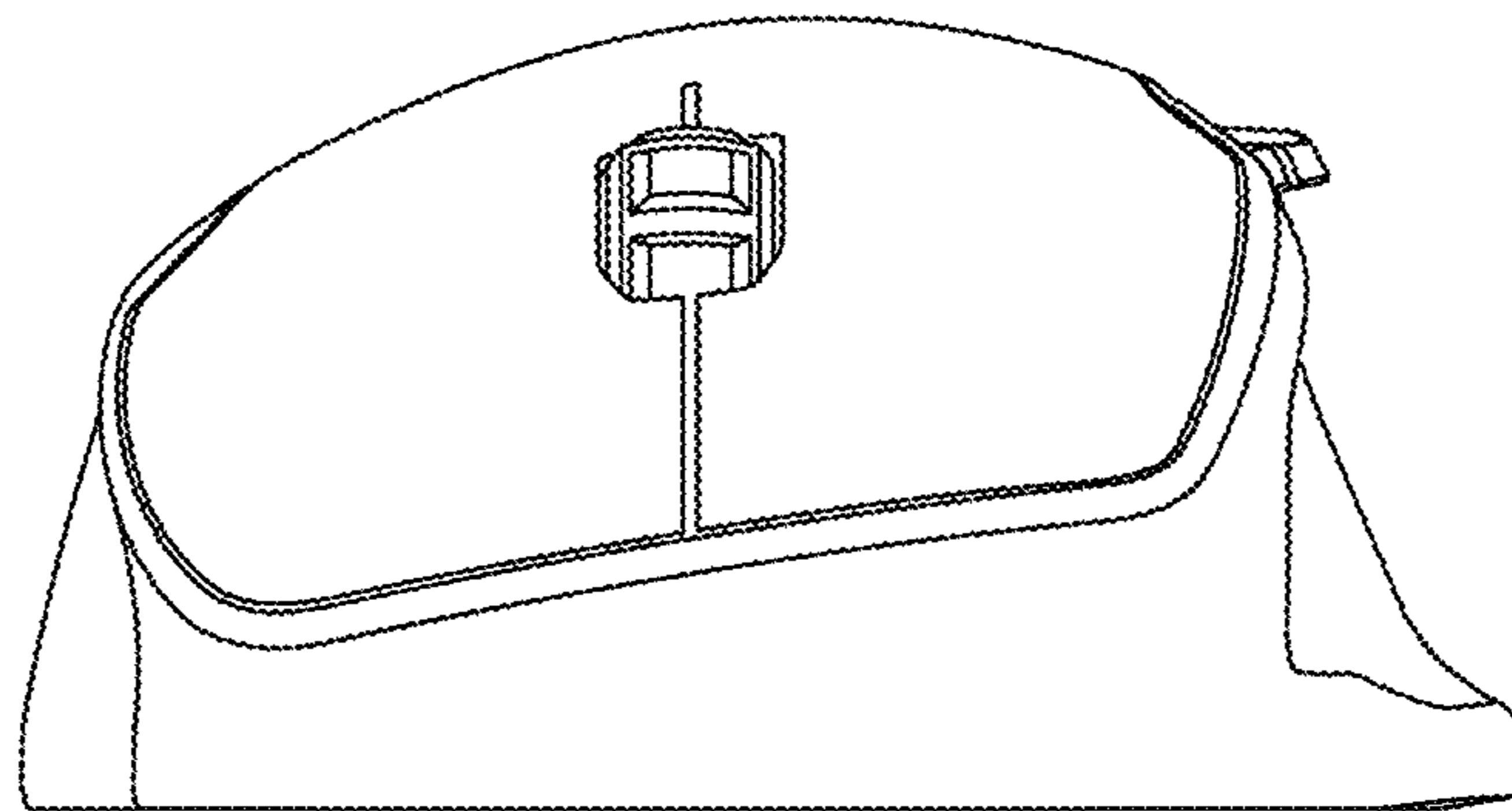


FIGURE 3

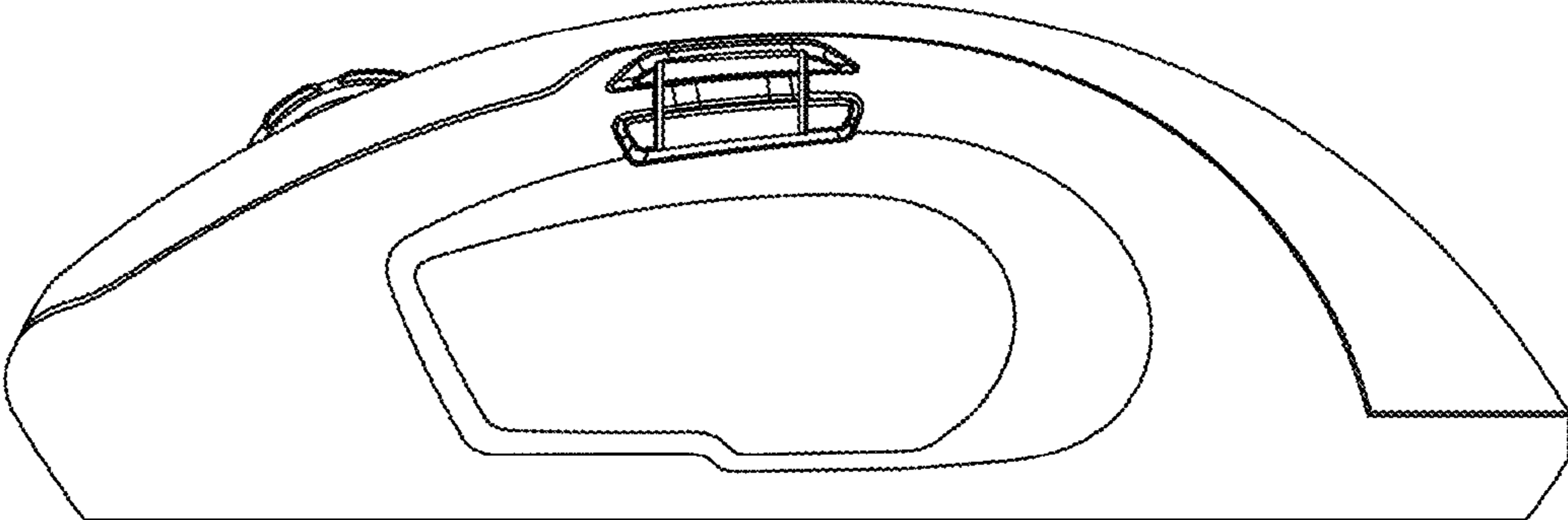


FIGURE 4

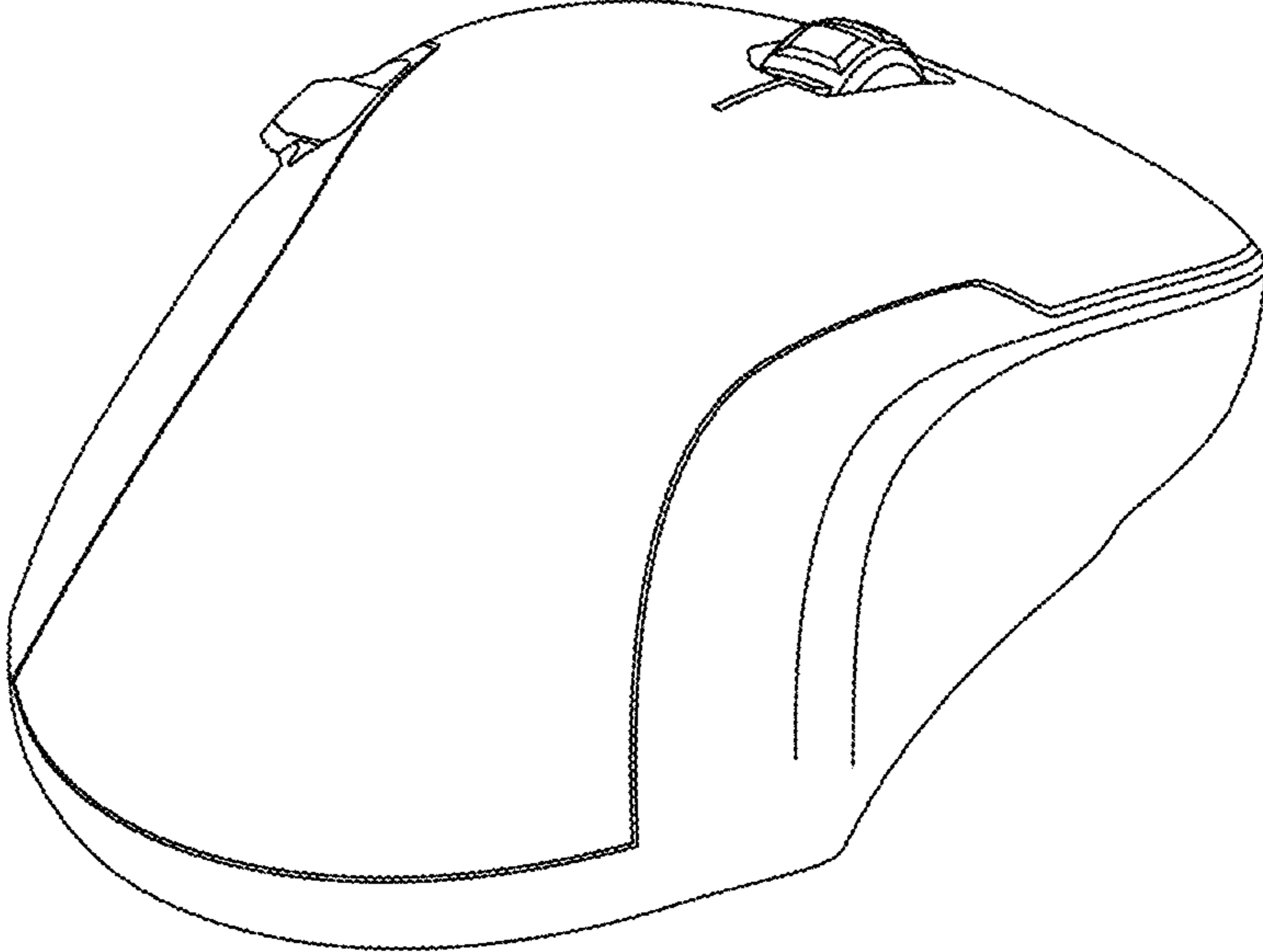
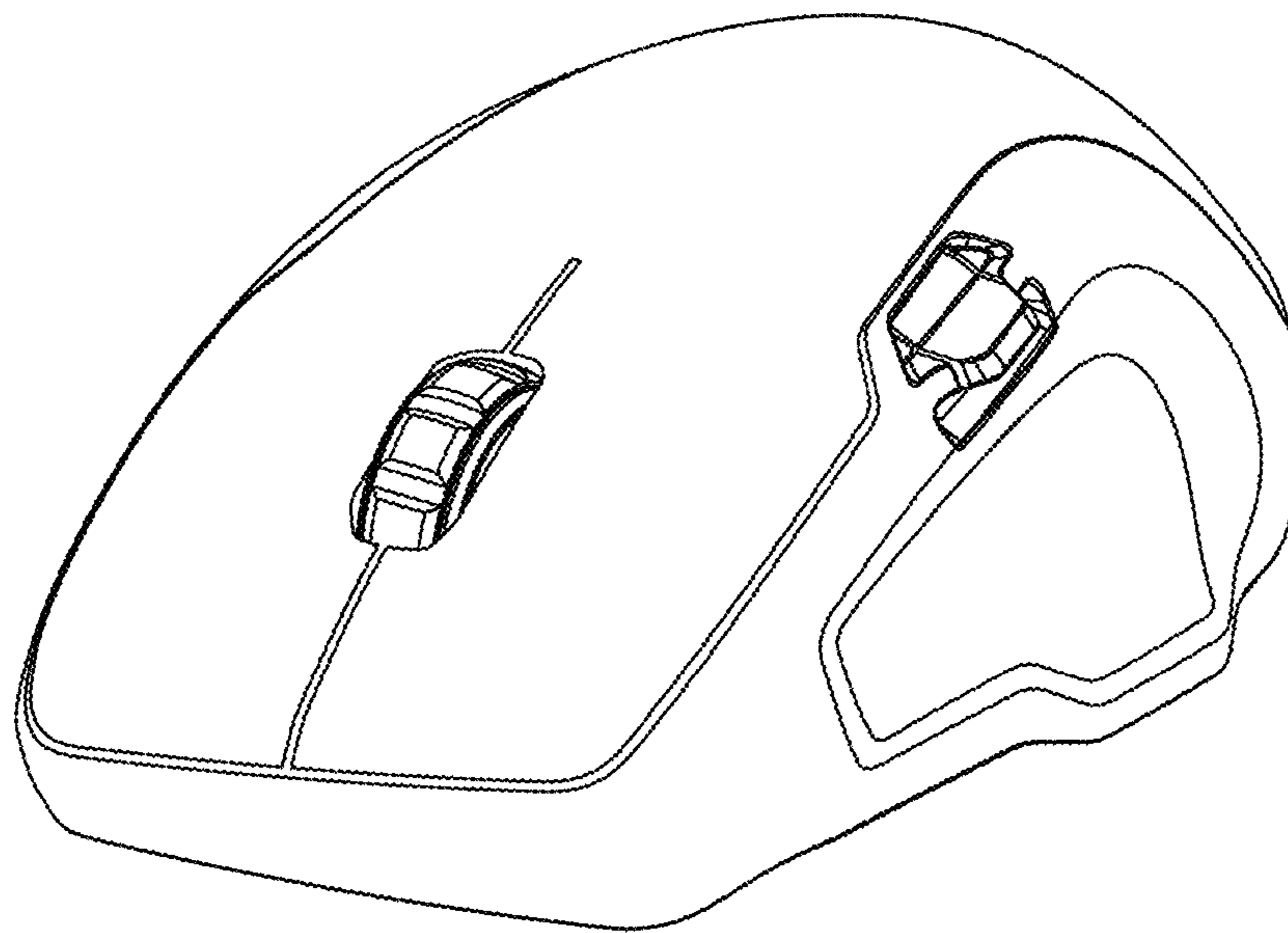


FIGURE 5



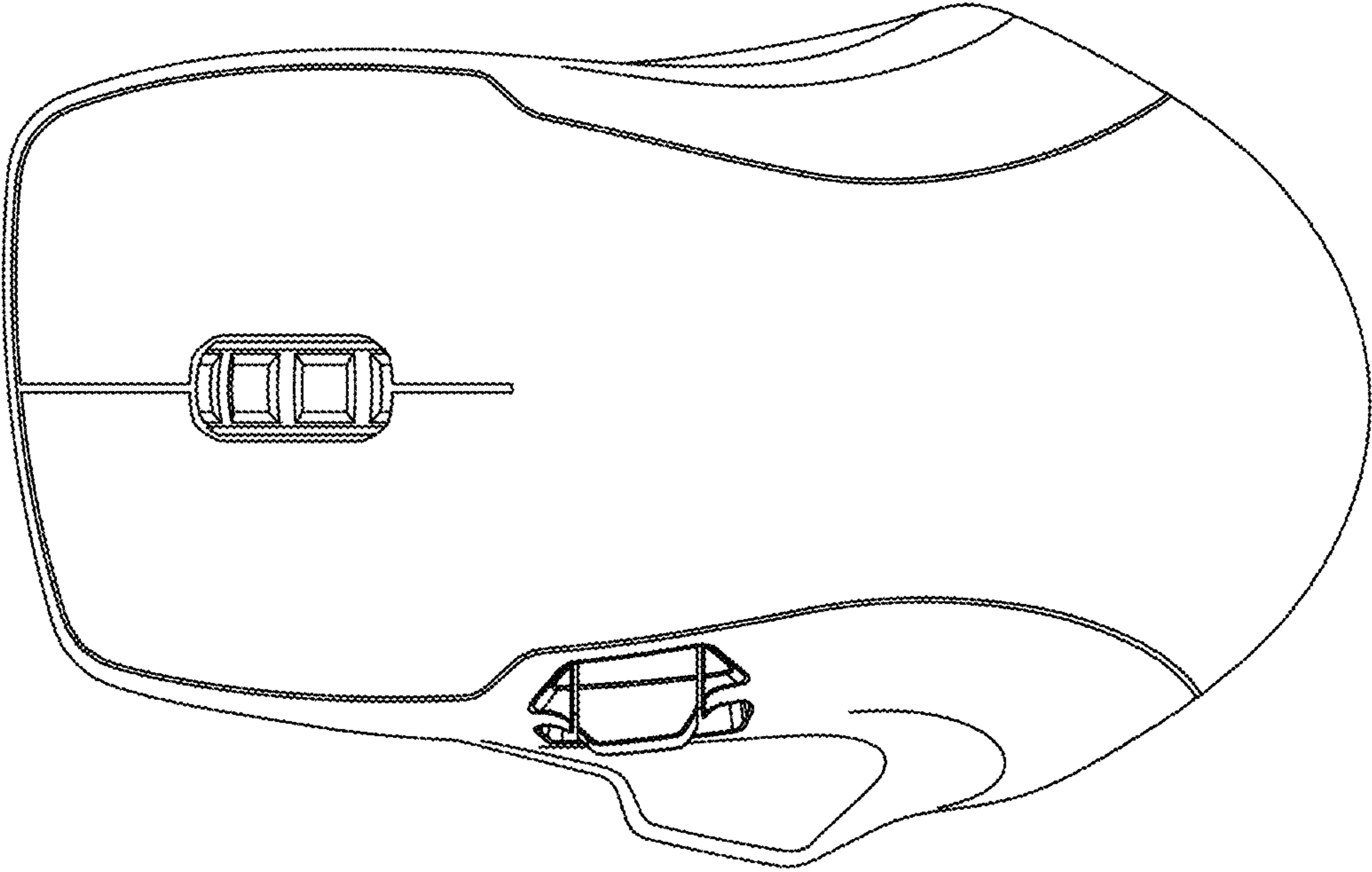


FIGURE 6