

US00D739404S

(12) **United States Design Patent**
Kuehn et al.

(10) **Patent No.:** **US D739,404 S**

(45) **Date of Patent:** **** Sep. 22, 2015**

(54) **HARD DRIVE TRAY DEVICE**

(71) Applicant: **Hewlett-Packard Development Company, L.P.**, Houston, TX (US)

(72) Inventors: **Keith J. Kuehn**, Magnolia, TX (US);
David A. Selvidge, Cypress, TX (US);
Melissa Ellen Meingast, Houston, TX (US);
Brooks Vaughan, Houston, TX (US)

(73) Assignee: **Hewlett-Packard Development Company, L.P.**, Houston, TX (US)

(**) Term: **14 Years**

(21) Appl. No.: **29/458,889**

(22) Filed: **Jun. 24, 2013**

(51) **LOC (10) Cl.** **14-02**

(52) **U.S. Cl.**
USPC **D14/348**

(58) **Field of Classification Search**
USPC D14/300–302, 314, 348–370, 383–385,
D14/435, 496, 125, 135, 155, 240–242,
D14/299; D3/273; D9/432; D10/65, 75, 78;
D13/103, 119, 162, 184, 199
CPC ... G11B 33/027; G11B 33/122; G11B 33/124
See application file for complete search history.

(56) **References Cited**

U.S. PATENT DOCUMENTS

4,941,841 A * 7/1990 Darden et al. 361/679.39
6,389,499 B1 * 5/2002 Frank et al. 710/300
6,407,913 B1 * 6/2002 Peachey et al. 361/679.57
7,272,012 B2 * 9/2007 Salinas et al. 361/727

7,948,747 B2 * 5/2011 Ajo et al. 361/679.33
D678,273 S * 3/2013 Kuehn et al. D14/348
D682,265 S * 5/2013 Kuehn et al. D14/348
D683,347 S * 5/2013 Kuehn et al. D14/348
8,634,185 B2 * 1/2014 Yang et al. 361/679.37
D699,720 S * 2/2014 Kuehn et al. D14/348
D699,721 S * 2/2014 Kuehn et al. D14/348
D704,175 S * 5/2014 Arvidsson D14/240
2011/0188195 A1 * 8/2011 Scherf-Smith et al. .. 361/679.37
2011/0304960 A1 * 12/2011 Lu 361/679.01
2012/0327587 A1 * 12/2012 Yang et al. 361/679.39
2014/0169145 A1 * 6/2014 Bunker et al. 369/13.24

* cited by examiner

Primary Examiner — Karen E Kearney

(74) *Attorney, Agent, or Firm* — International IP Law Group, PLLC

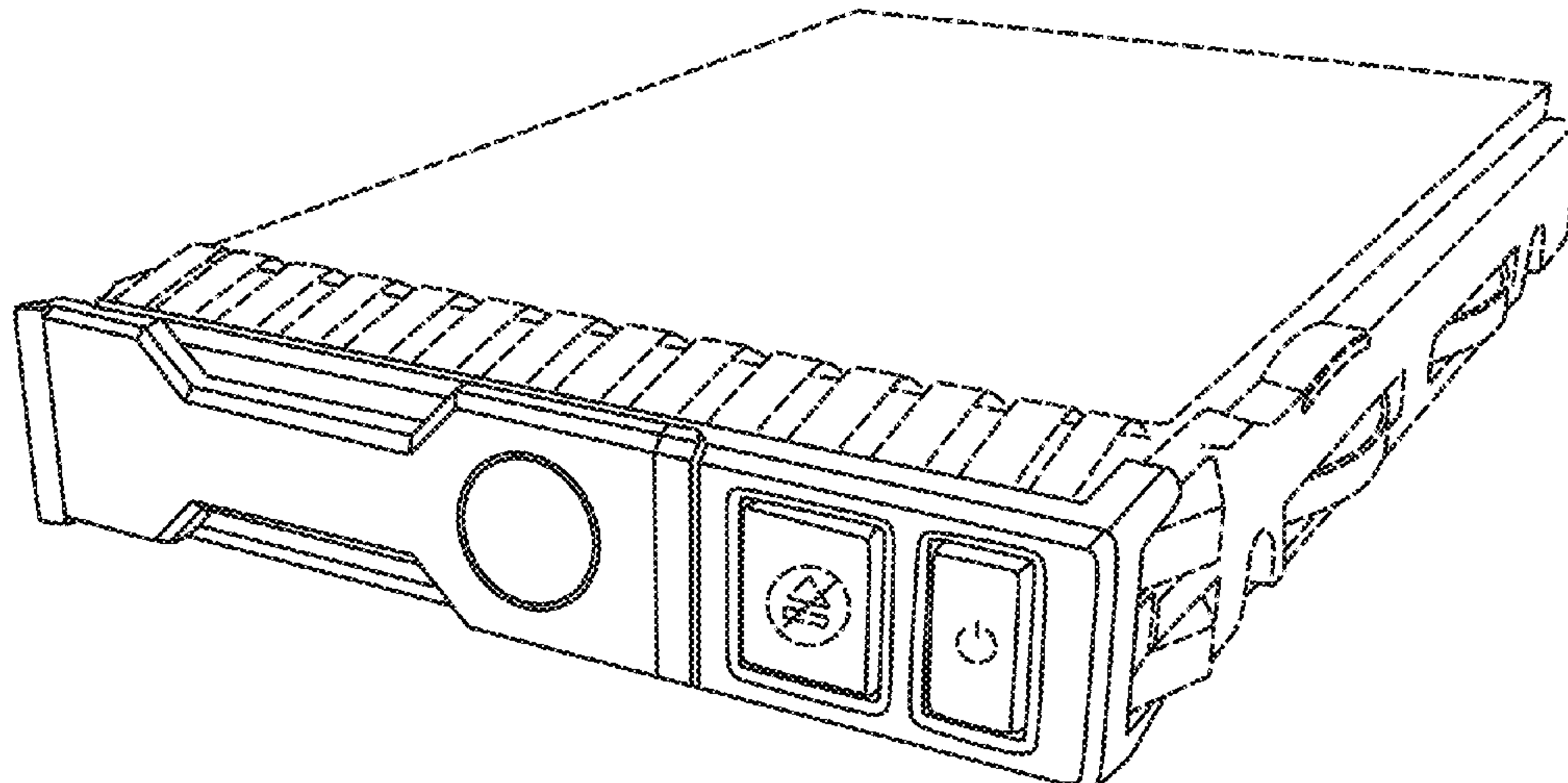
(57) **CLAIM**

The ornamental design for a hard drive tray device, as shown and described.

DESCRIPTION

FIG. 1 is a front perspective view of a hard drive tray device showing our new design, shown with a driver;
FIG. 2 is a front perspective view thereof, shown without a driver;
FIG. 3 is a front elevational view thereof;
FIG. 4 is a top view thereof; and,
FIG. 5 is a top view thereof, with the handle in an open position.
The broken lines as shown in FIGS. 1 and 2 are included for the purpose of illustrating environmental structure and form no part of the claimed design. The broken lines in all the figures illustrate portions of the hard drive tray device which form no part of the claimed design.

1 Claim, 5 Drawing Sheets



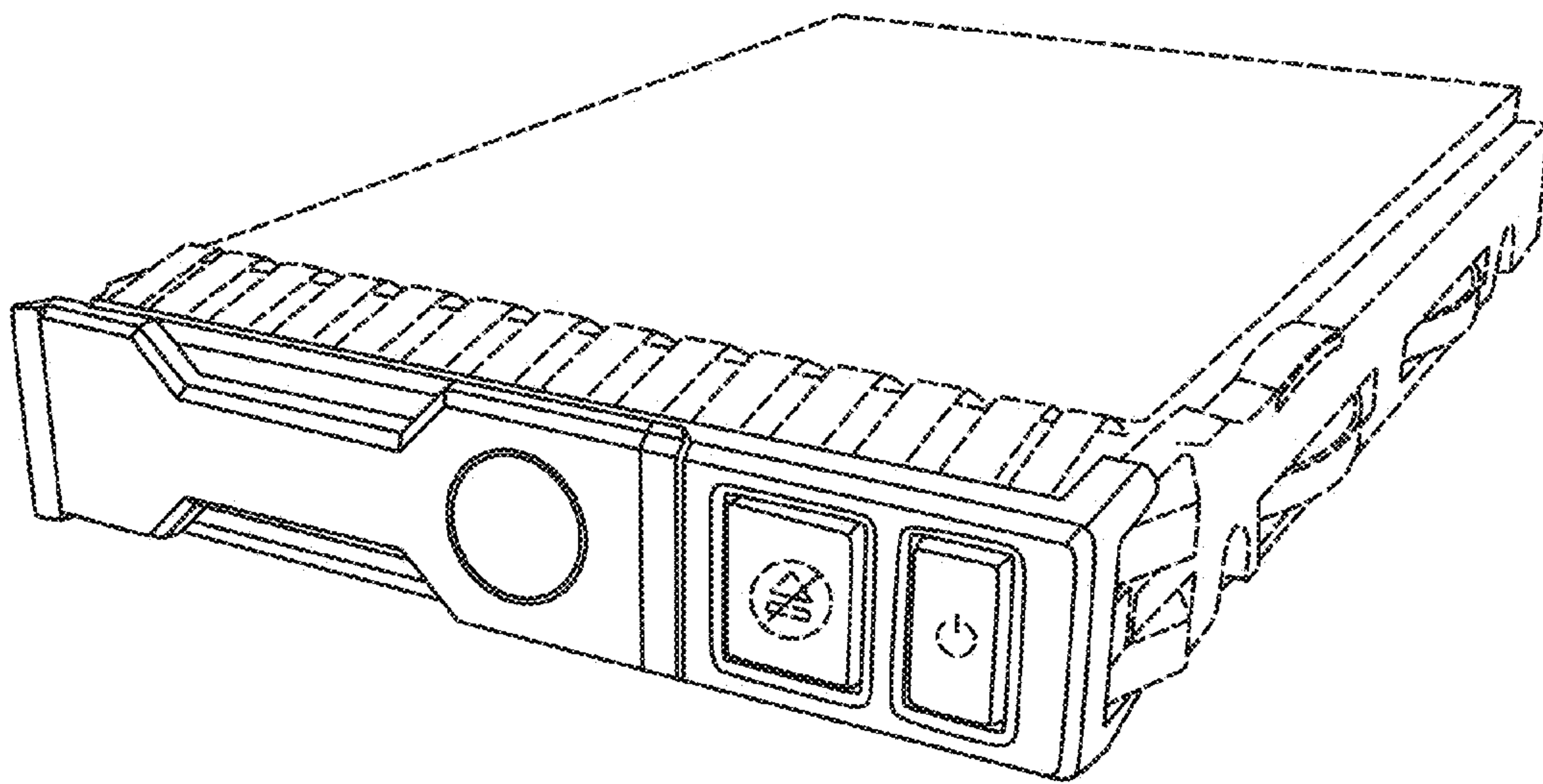


FIG. 1

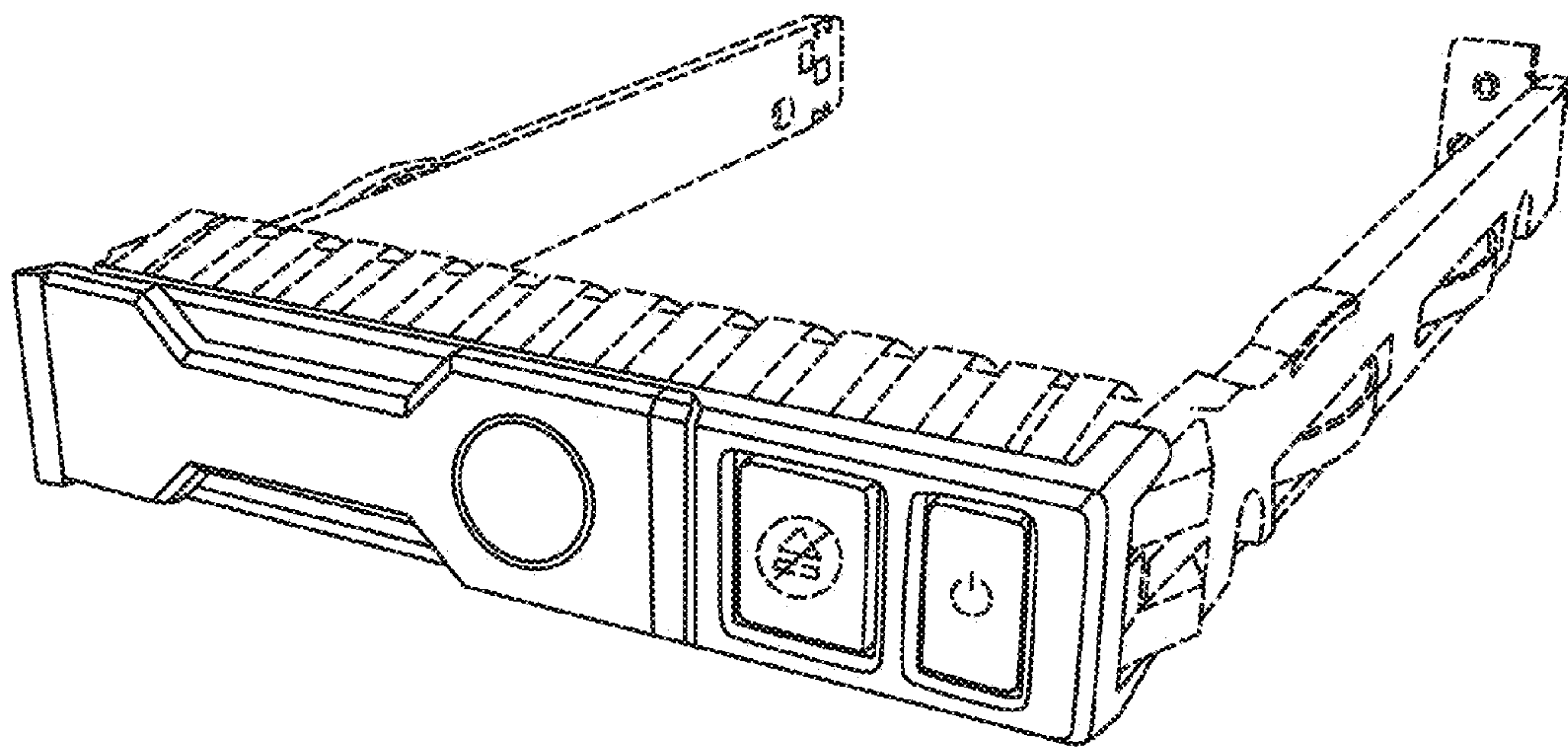


FIG. 2

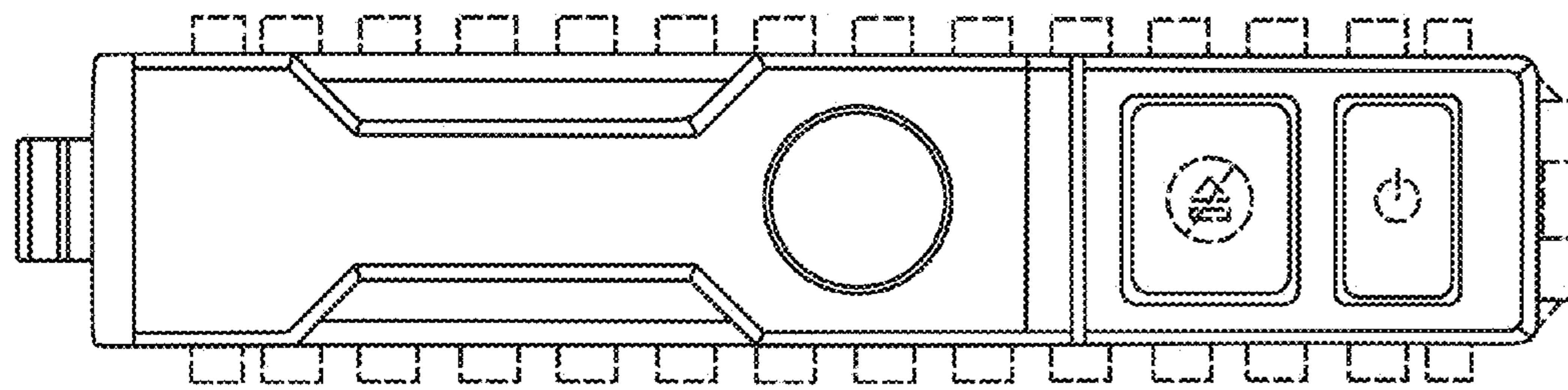


FIG. 3

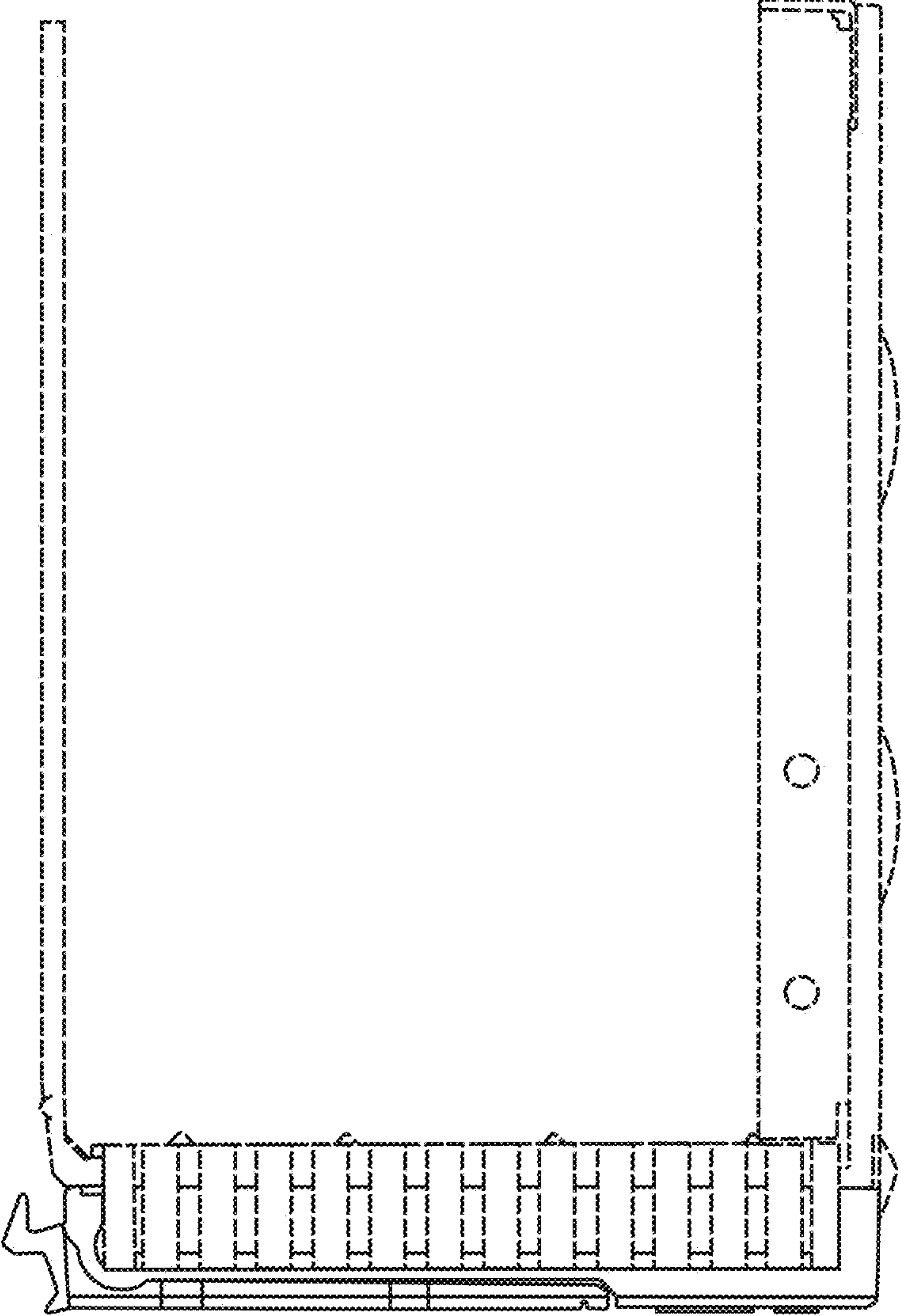


FIG. 4

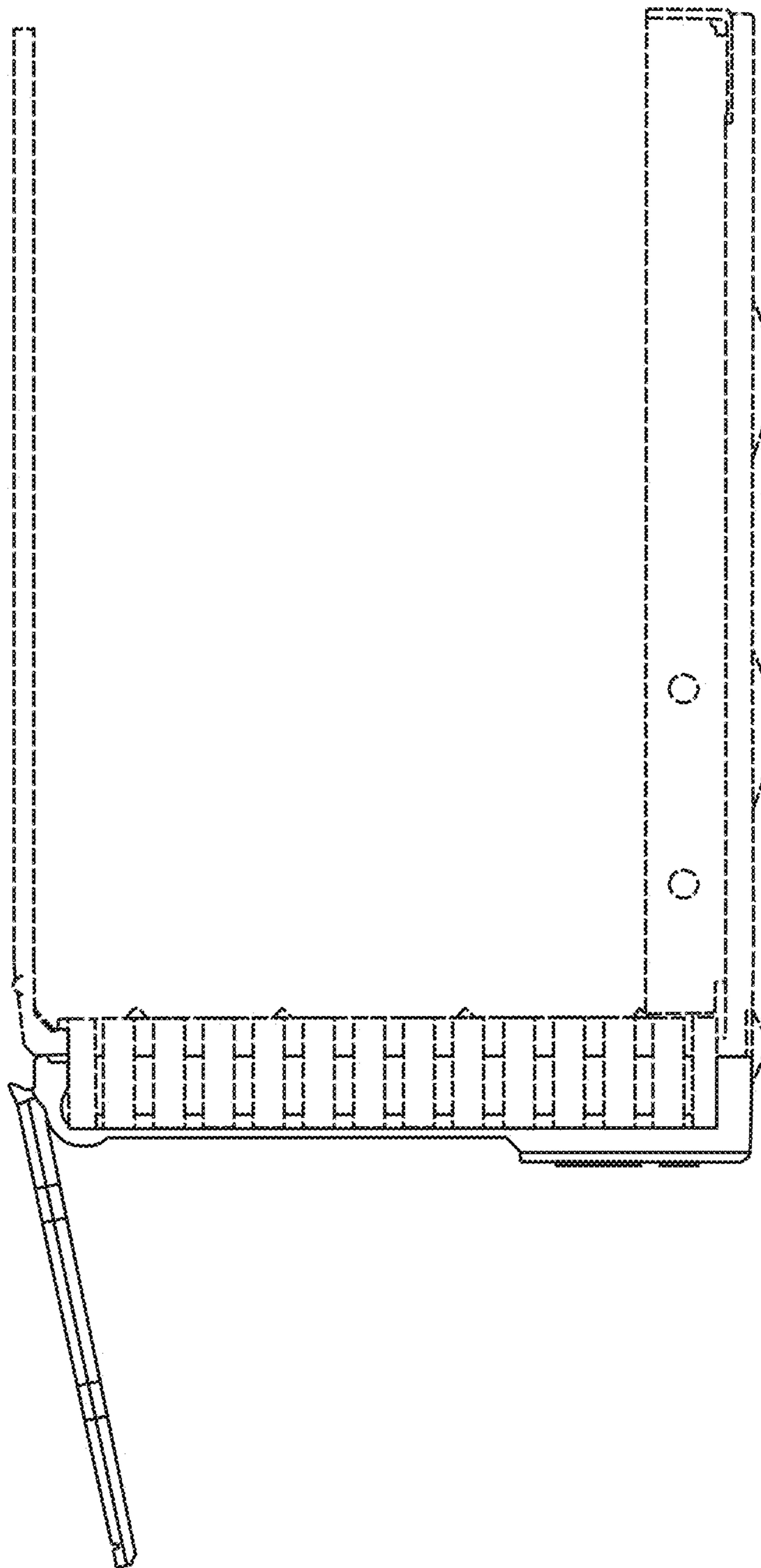


FIG. 5