



US00D739402S

(12) **United States Design Patent**
Seoc

(10) **Patent No.:** **US D739,402 S**
(45) **Date of Patent:** **** Sep. 22, 2015**

(54) **TABLET PC**

(56) **References Cited**

(71) Applicant: **Samsung Electronics Co., Ltd.**,
Suwon-si (KR)

(72) Inventor: **Ho-Young Seoc**, Yongin-si (KR)

(73) Assignee: **Samsung Electronics Co., Ltd.**,
Suwon-si (KR)

(**) Term: **14 Years**

(21) Appl. No.: **29/457,791**

(22) Filed: **Jun. 13, 2013**

(30) **Foreign Application Priority Data**

Dec. 13, 2012 (KR) 30-2013-0060137

(51) **LOC (10) Cl.** **14-02**

(52) **U.S. Cl.**
USPC **D14/341**

(58) **Field of Classification Search**
USPC D14/341-347, 137, 138 R, 138 AA,
D14/138 C, 138 G, 496, 203.1, 203.3, 203.4,
D14/203.7, 129, 130, 147, 218, 247, 248,
D14/250, 374, 371, 385, 388, 389, 315-318,
D14/420, 426, 439; D6/308, 310; D10/65,
D10/104.1; D19/26, 59, 60; D21/324, 329,
D21/330, 332; 248/917-924; 463/37;
455/556.1, 556.2, 556, 575.1, 90.3;
379/433.04, 433.01, 433.06, 916;
345/173, 901, 905; 348/376;
361/679.26, 679.27, 679.3, 679.55,
361/679.56, 679.59, 679.21
CPC A63H 33/3016; G06F 1/1613; H04M
1/0202; H04M 1/0279; H04M 1/0281; H04M
1/0283

See application file for complete search history.

U.S. PATENT DOCUMENTS

6,256,193	B1 *	7/2001	Janik et al.	361/679.59
D513,008	S *	12/2005	Takizawa et al.	D14/447
D571,235	S *	6/2008	Stevens et al.	D10/65
D571,747	S *	6/2008	Chu	D14/126
D594,454	S *	6/2009	Honda	D14/345
D605,647	S *	12/2009	Chern et al.	D14/336
D617,793	S *	6/2010	Chiang et al.	D14/341
D619,134	S *	7/2010	Tsai et al.	D14/371
D622,240	S *	8/2010	Liu et al.	D14/126

(Continued)

Primary Examiner — Barbara Fox

Assistant Examiner — Clese Moore, Jr.

(74) *Attorney, Agent, or Firm* — NSIP Law

(57) **CLAIM**

The ornamental design for a tablet PC, as shown and described.

DESCRIPTION

FIG. 1 is a front perspective view of a tablet PC, showing my new design;

FIG. 2 is a front view thereof;

FIG. 3 is a rear view thereof;

FIG. 4 is a left-side view thereof;

FIG. 5 is a right-side view thereof;

FIG. 6 is a top view thereof;

FIG. 7 is a bottom view thereof;

FIG. 8 is a perspective view of a tablet PC of FIG. 1, in which the tablet PC is in an open position;

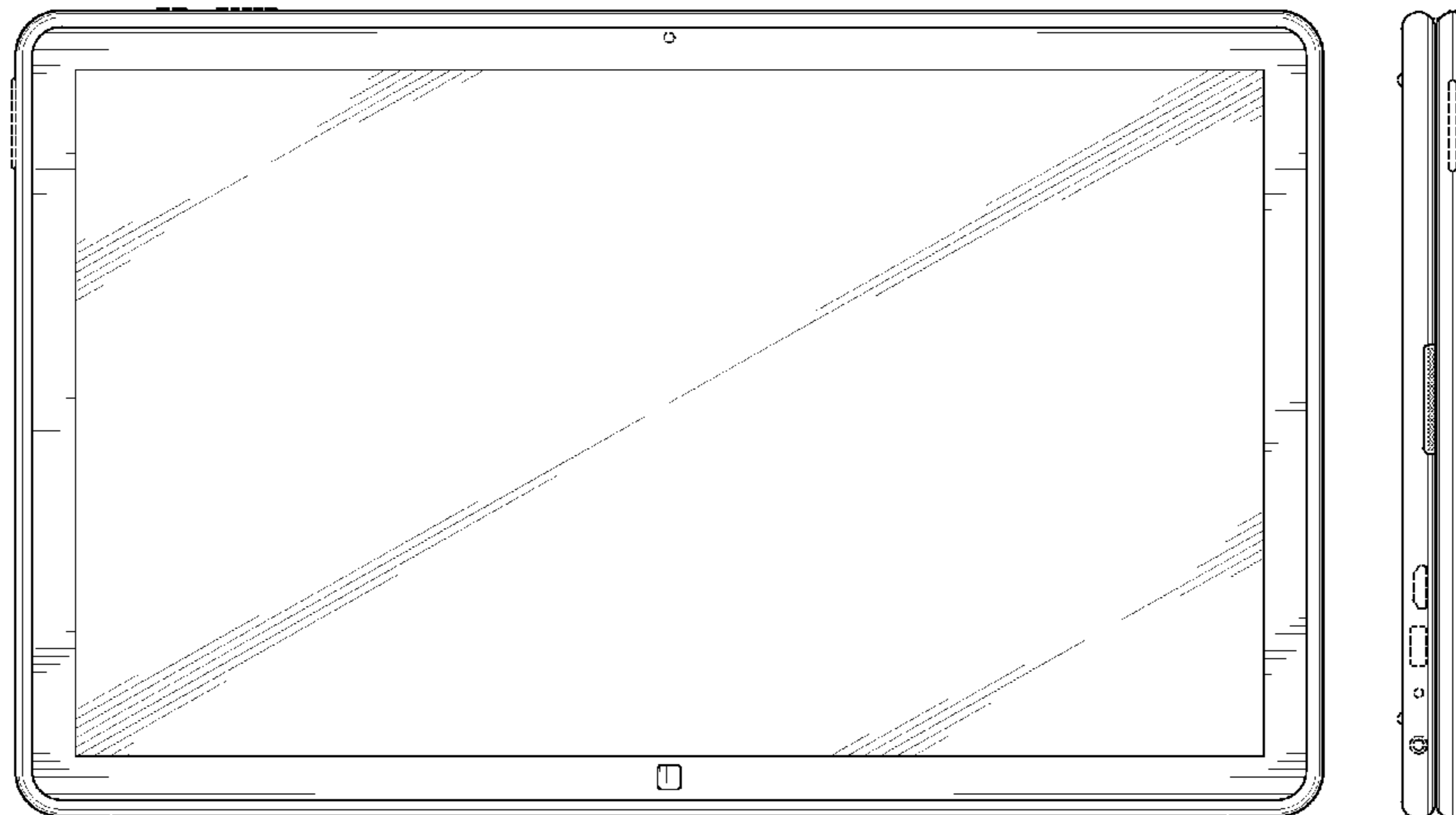
FIG. 9 is another perspective view a tablet PC of FIG. 1, in which the tablet PC is in an open position supported by a tablet stand of the tablet PC; and,

FIG. 10 is a left-side view of the tablet PC of FIG. 9.

The broken lines shown illustrate portions of the tablet PC that form no part of the claimed design.

The shade lines in the figures show contour and not surface ornamentation. The diagonal lines in the FIGS. 1, 2, and 8 represent a reflective surface.

1 Claim, 10 Drawing Sheets



(56)

References Cited

U.S. PATENT DOCUMENTS

D636,187 S *	4/2011	Kim et al.	D6/308	D705,785 S *	5/2014	Wang	D14/447
D639,816 S *	6/2011	Bau	D14/447	D711,371 S *	8/2014	Chen et al.	D14/341
8,023,256 B2 *	9/2011	Walker et al.	361/679.27	D712,400 S *	9/2014	Kim et al.	D14/341
D671,939 S *	12/2012	Chung	D14/374	D714,784 S *	10/2014	Park	D14/341
D671,940 S *	12/2012	Kim	D14/374	D716,293 S *	10/2014	Hwang et al.	D14/341
D673,561 S *	1/2013	Hyun et al.	D14/341	D718,303 S *	11/2014	Choteau et al.	D14/341
D675,203 S *	1/2013	Yang	D14/341	D720,345 S *	12/2014	Chu et al.	D14/341
D676,443 S *	2/2013	Canizares et al.	D14/341	8,922,984 B2 *	12/2014	Chen et al.	361/679.26
D678,875 S *	3/2013	Chen	D14/341	D721,698 S *	1/2015	Lee et al.	D14/316
D684,970 S *	6/2013	Zhang	D14/341	D724,579 S *	3/2015	Moradian	D14/341
D690,691 S *	10/2013	Hoshi et al.	D14/336	D726,716 S *	4/2015	Green et al.	D14/341
D693,343 S *	11/2013	Haller	D14/374	D727,313 S *	4/2015	Lim et al.	D14/316
D695,735 S *	12/2013	Kitchen et al.	D14/341	D728,559 S *	5/2015	Lim et al.	D14/341
8,605,433 B2 *	12/2013	Chiang et al.	361/679.59	2004/0201871 A1 *	10/2004	Risheq	358/474
D702,229 S *	4/2014	Lim et al.	D14/341	2007/0120878 A1 *	5/2007	Hsiao et al.	345/905
D702,233 S *	4/2014	Lee et al.	D14/341	2011/0038119 A1 *	2/2011	Yeh	361/679.27
D705,778 S *	5/2014	Groene et al.	D14/341	2013/0172055 A1 *	7/2013	Han	455/566
					2014/0043747 A1 *	2/2014	Lai et al.	361/679.26
					2014/0153176 A1 *	6/2014	Ashcraft et al.	361/679.21
					2014/0340833 A1 *	11/2014	Horinishi et al.	361/679.27

* cited by examiner

FIG. 1

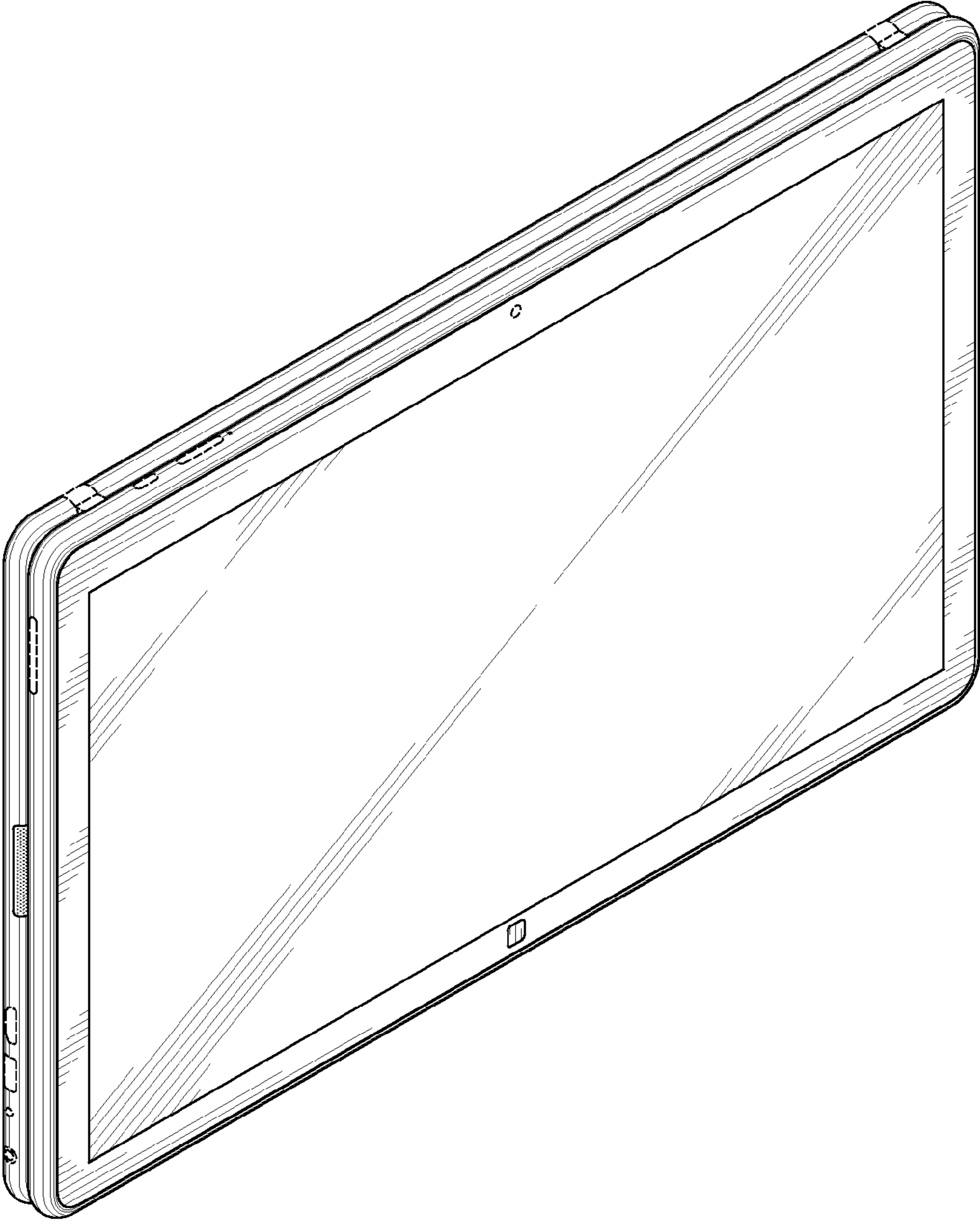


FIG. 2

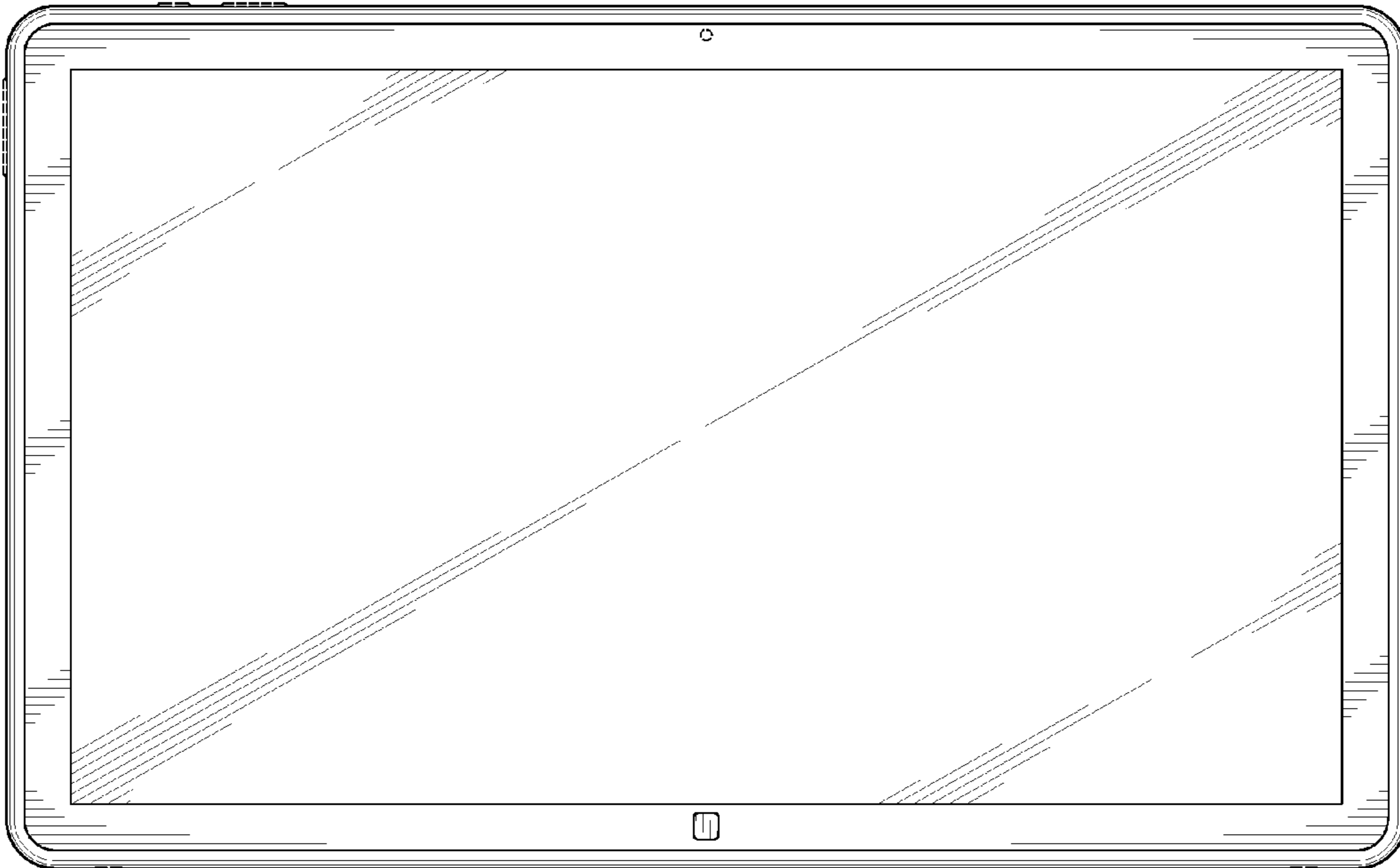


FIG. 3



FIG. 4

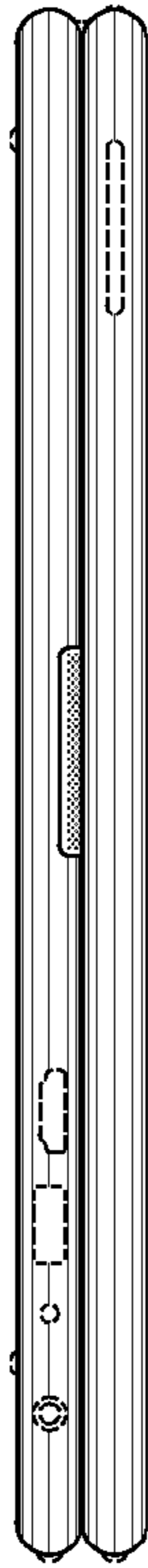


FIG. 5

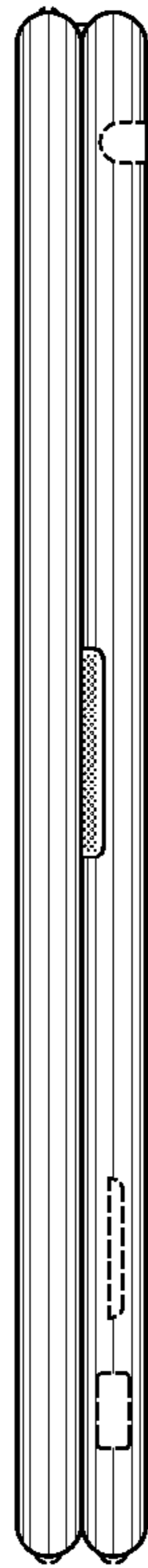


FIG. 6

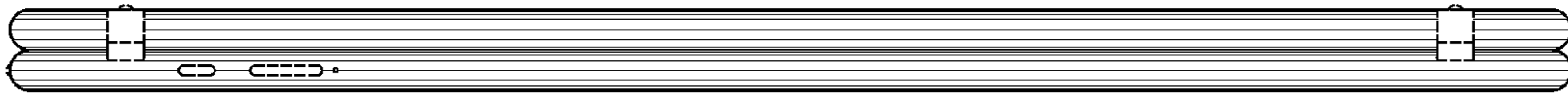


FIG. 7

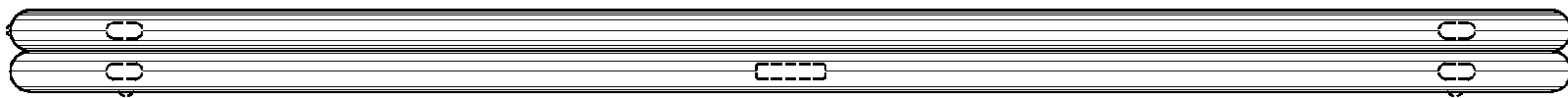


FIG. 8

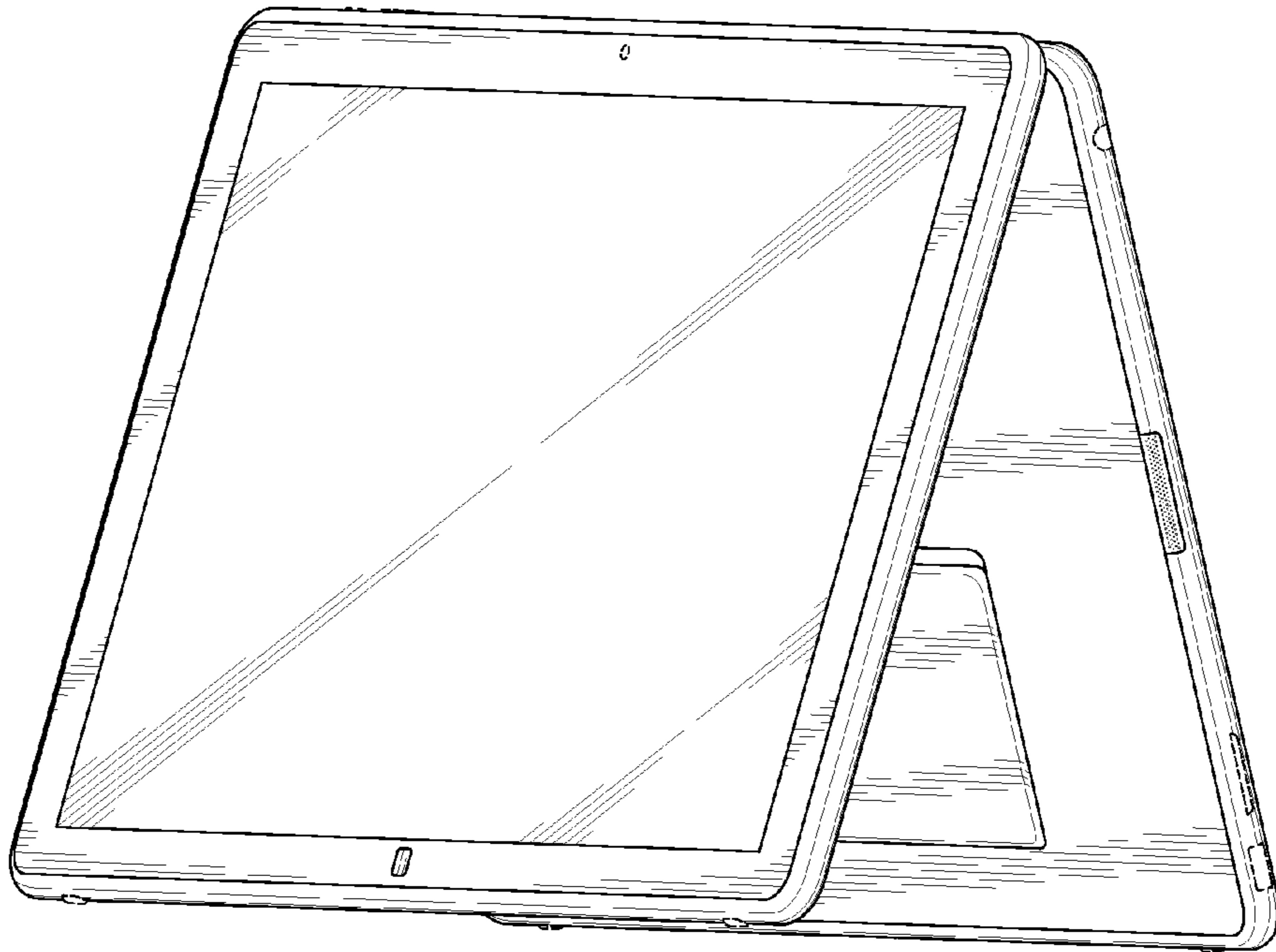


FIG. 9

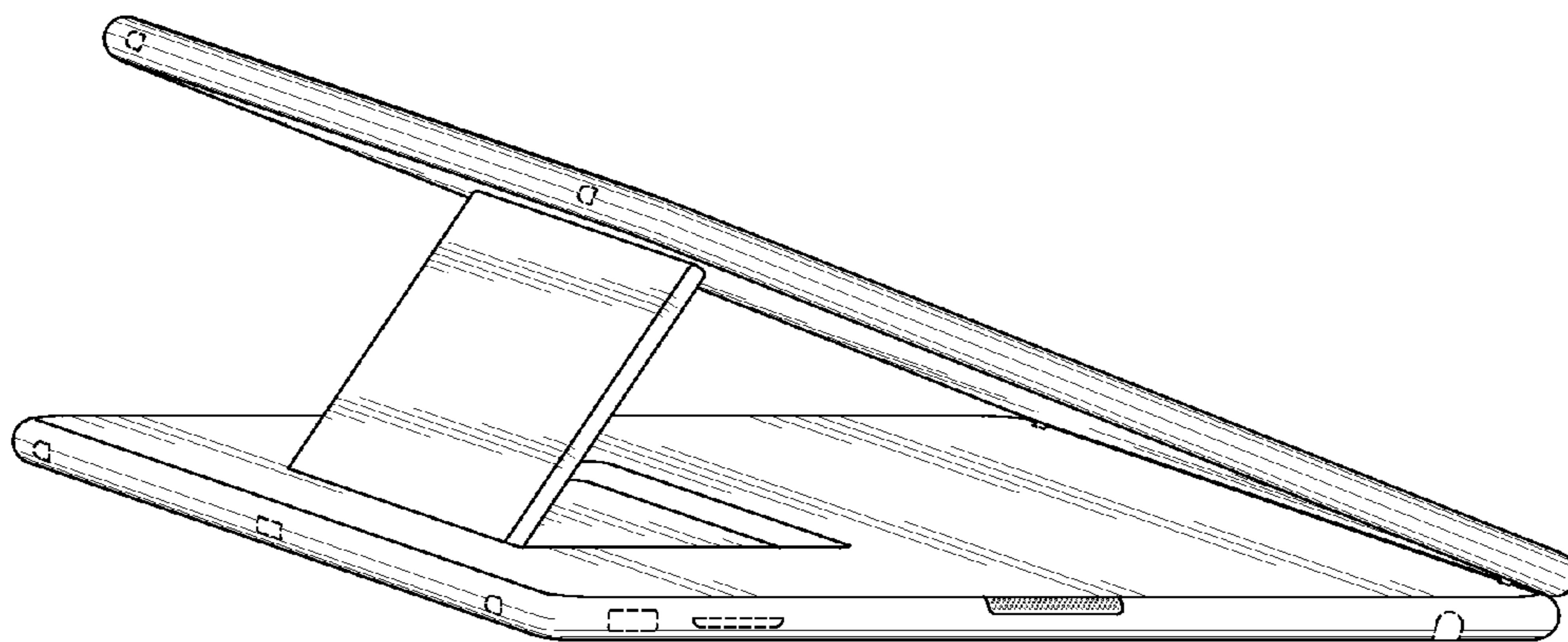


FIG. 10

