



US00D739401S

(12) **United States Design Patent**
Cohen

(10) **Patent No.:** **US D739,401 S**

(45) **Date of Patent:** **** Sep. 22, 2015**

(54) **ELECTRONIC GUESTBOOK CONSOLE**

(74) *Attorney, Agent, or Firm* — Leason Ellis LLP

(71) Applicant: **Amos M. Cohen**, Brooklyn, NY (US)

(57) **CLAIM**

The ornamental design for an electronic guestbook console, as shown and described.

(72) Inventor: **Amos M. Cohen**, Brooklyn, NY (US)

(**) Term: **14 Years**

DESCRIPTION

(21) Appl. No.: **29/468,625**

FIG. 1 is a front-left and top perspective view of an electronic guestbook console having an accessory drawer shown in a closed position and with an electronic guestbook being omitted to more clearly depict what is claimed;

(22) Filed: **Oct. 1, 2013**

(51) **LOC (10) Cl.** **14-02**

FIG. 2 is a front-right and top perspective view of the console of FIG. 1;

(52) **U.S. Cl.**

USPC **D14/331**

FIG. 3 is a front-left and top perspective view of the console of FIG. 1, with the accessory drawer shown in an open position;

(58) **Field of Classification Search**

USPC D14/300, 301, 308, 314, 315, 331, 341, D14/356; D18/4.2, 4.4; 312/223.1–223.2; 345/156, 157, 168, 169, 173; 369/34.01, 36.01; 361/679.01, 679.08, 361/679.09, 679.11, 679.22, 679.26, 361/679.27, 679.6; 341/22, 23

See application file for complete search history.

FIG. 4 is a front elevation view of the console of FIG. 1;

FIG. 5 is a rear elevation view of the console of FIG. 1;

FIG. 6 is rear and top perspective view of an upper portion of the console of FIG. 1, with the lower console portion and camera enclosure being omitted to more clearly depict what is claimed;

(56) **References Cited**

U.S. PATENT DOCUMENTS

D307,134 S *	4/1990	Makidera	D14/342
D381,583 S *	7/1997	Schugart et al.	D10/2
D385,903 S *	11/1997	Kim	D18/4.4
6,575,904 B2 *	6/2003	Nagai et al.	600/301
D480,725 S *	10/2003	Funato	D14/383
D532,009 S *	11/2006	Zank et al.	D14/342
D536,793 S *	2/2007	Assad et al.	D24/185
D551,224 S *	9/2007	Hatling et al.	D14/331
2008/0170049 A1 *	7/2008	Larson et al.	345/179

* cited by examiner

FIG. 7 is a top plan view of the console of FIG. 1;

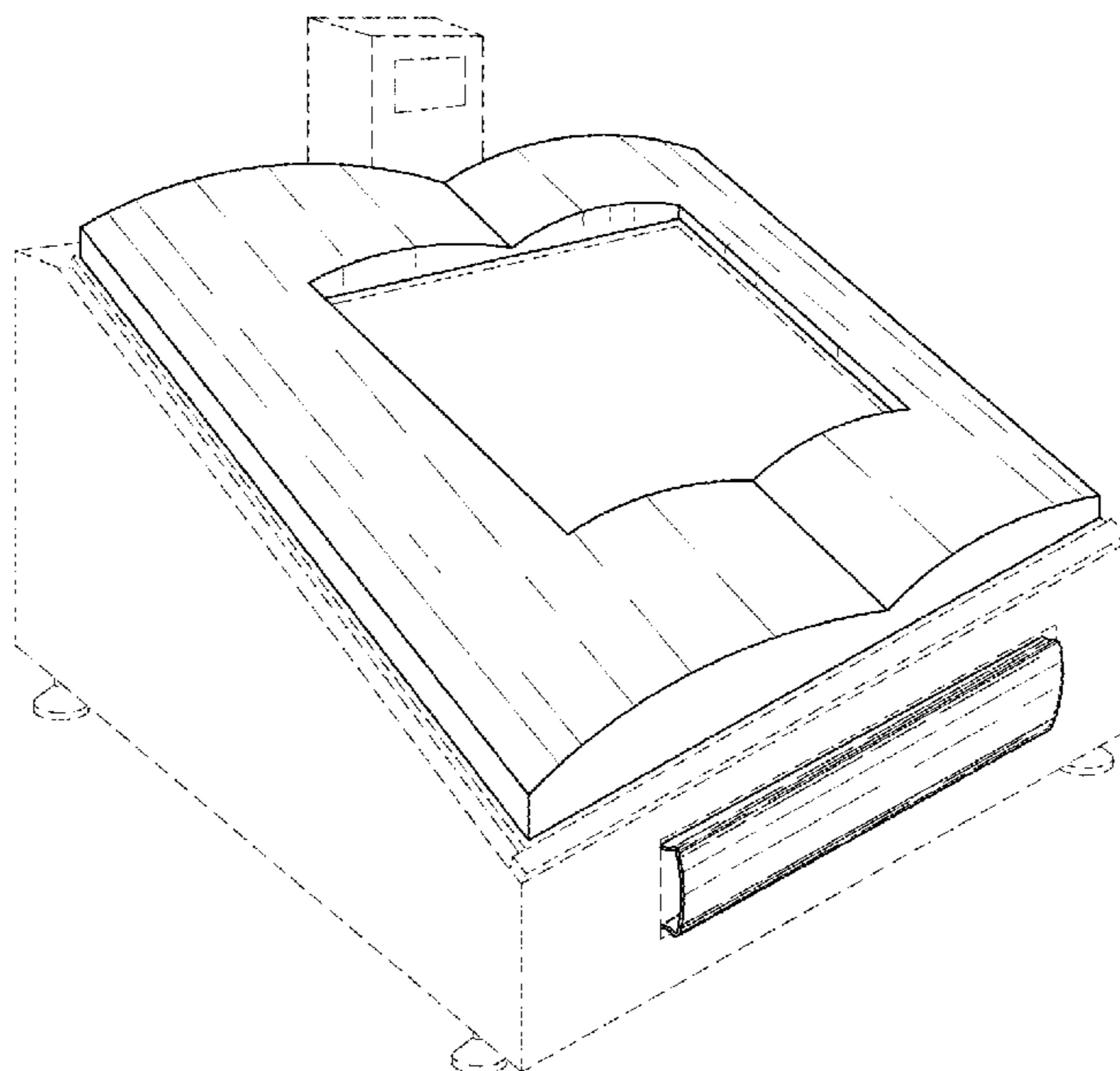
FIG. 8 is a bottom plan view of the console of FIG. 1 with the accessory drawer shown in an open position;

FIG. 9 is a left elevation view of the console of FIG. 1; and, FIG. 10 is a right elevation view of the console of FIG. 1.

The broken lines shown in the figures, including those of a console base, camera enclosure, console pedestal legs and keyboard, illustrate the environment only and form no part of the claimed design. The dash-dot-dash broken lines shown adjacent the shade lines on the accessory drawer in FIGS. 3 and 8 define the boundaries of the claimed design and form no part of the claimed design.

Primary Examiner — Freda S Nunn

1 Claim, 8 Drawing Sheets



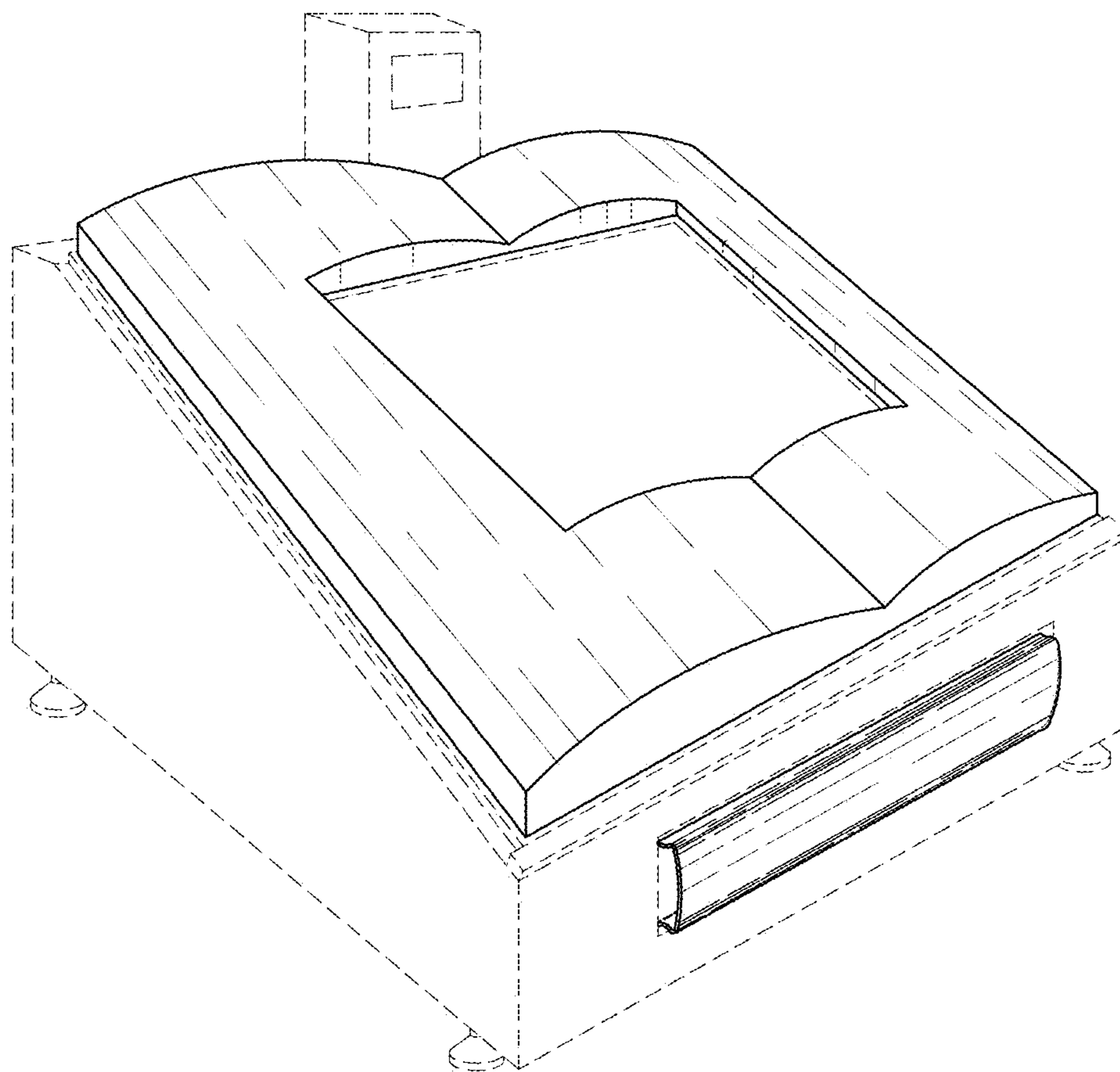


FIG. 1

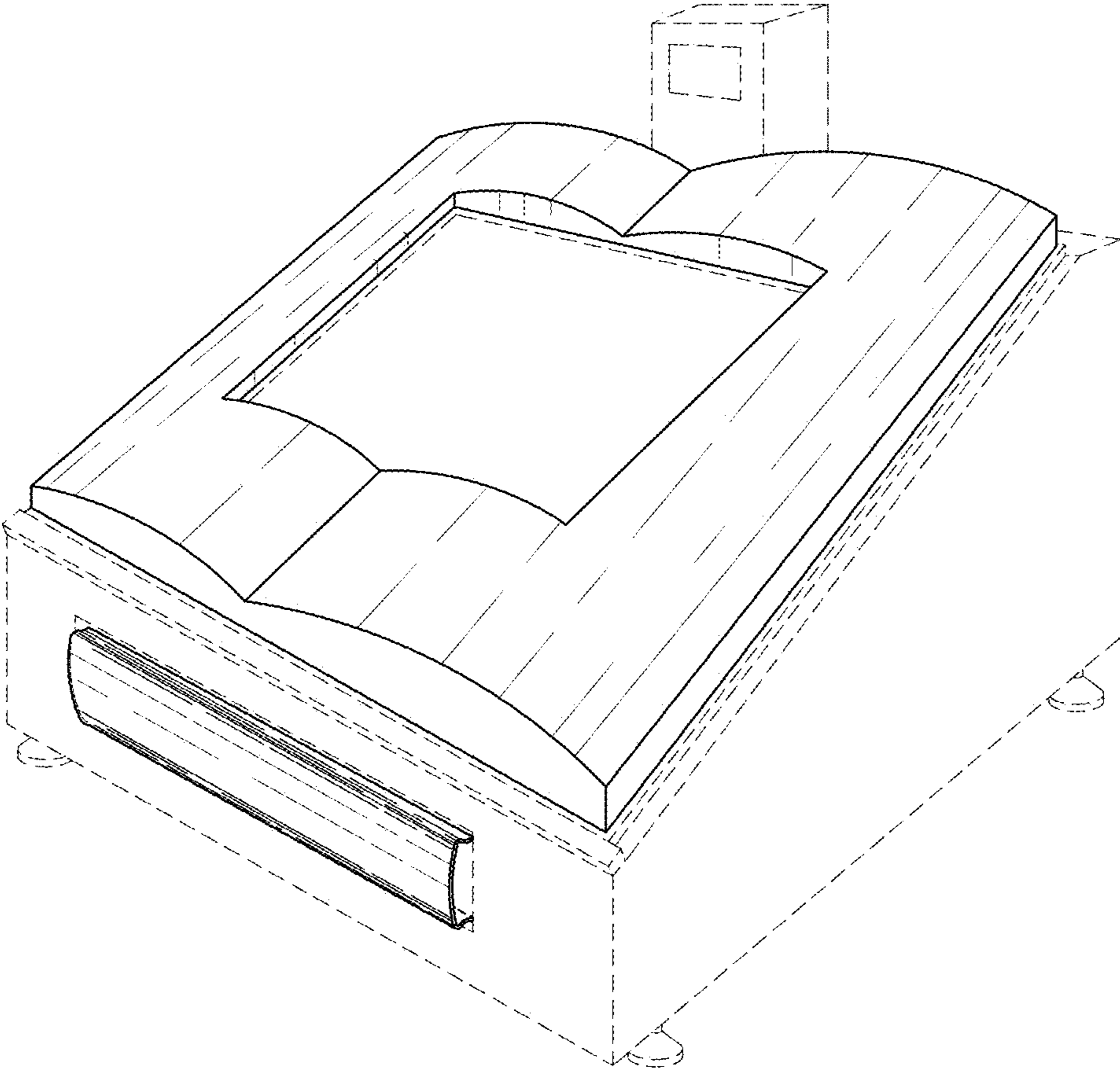


FIG. 2

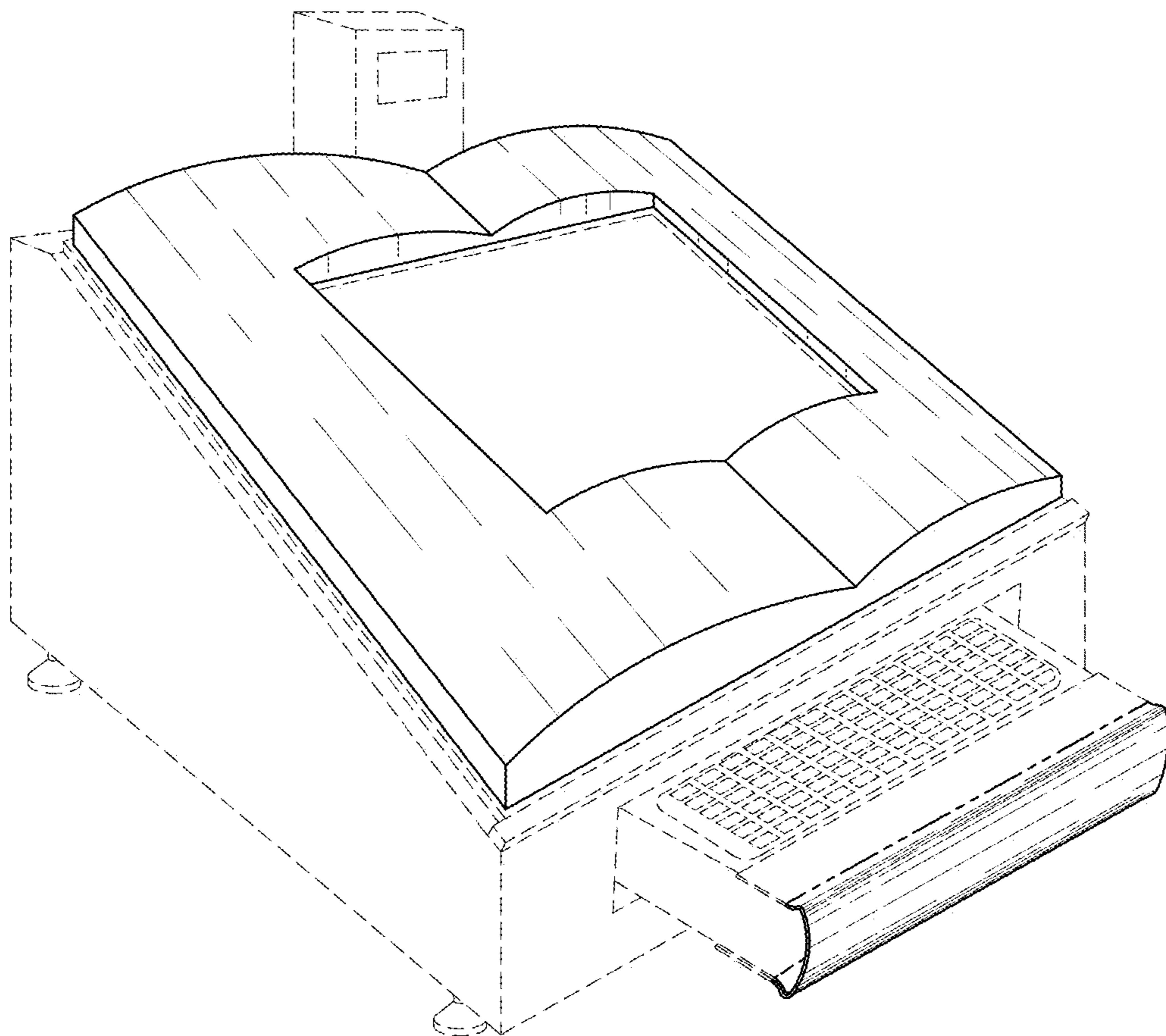


FIG. 3

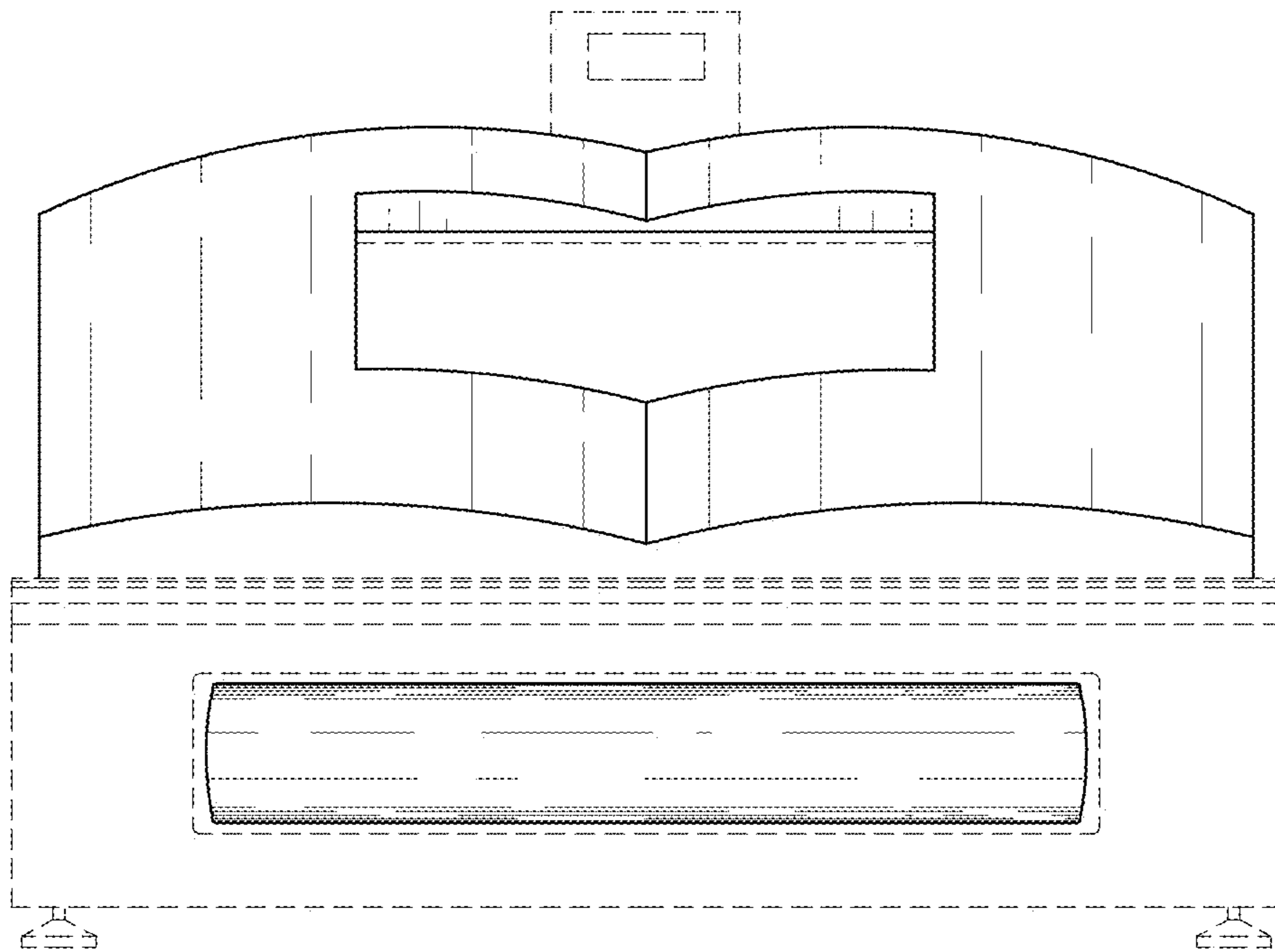


FIG. 4

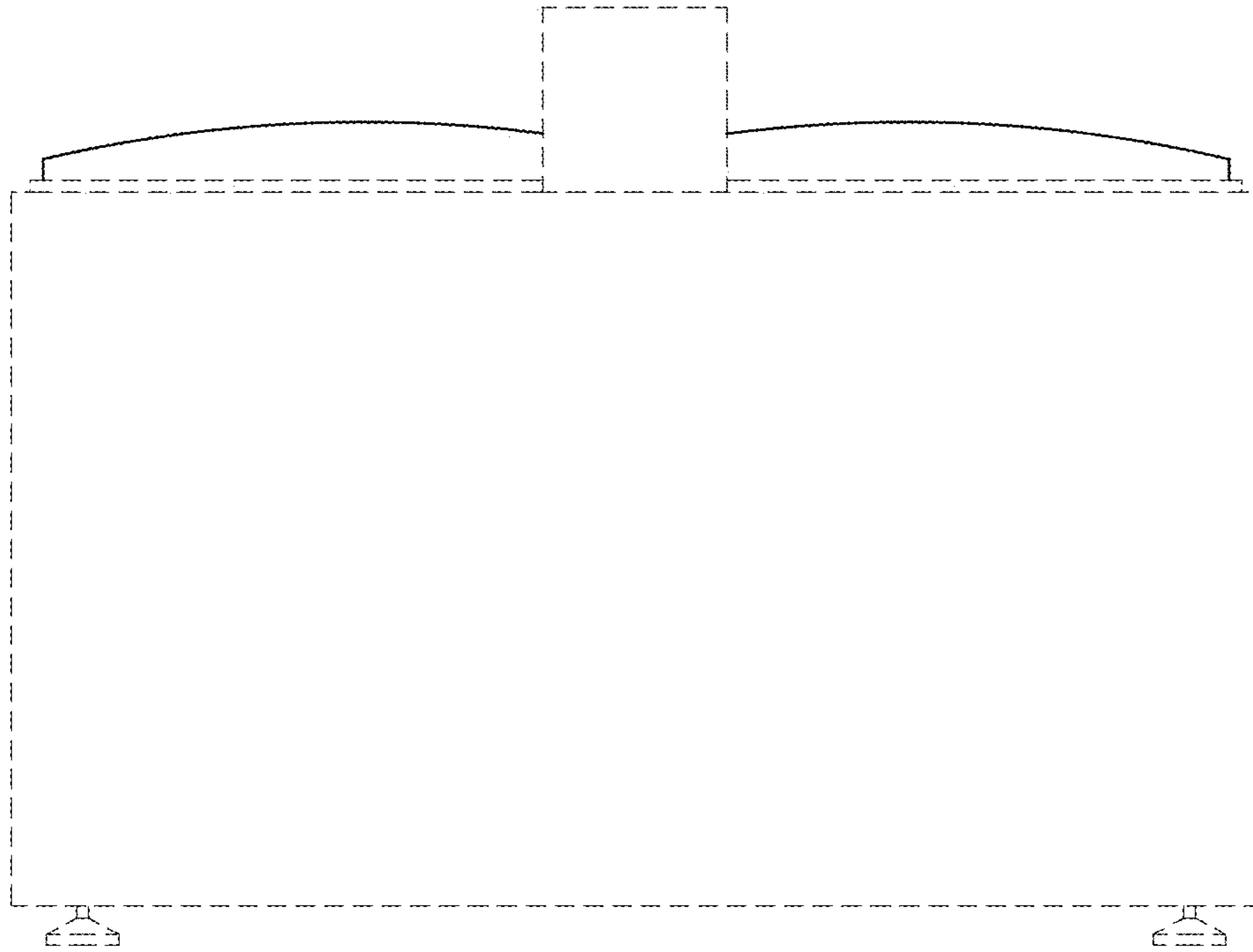


Fig. 5

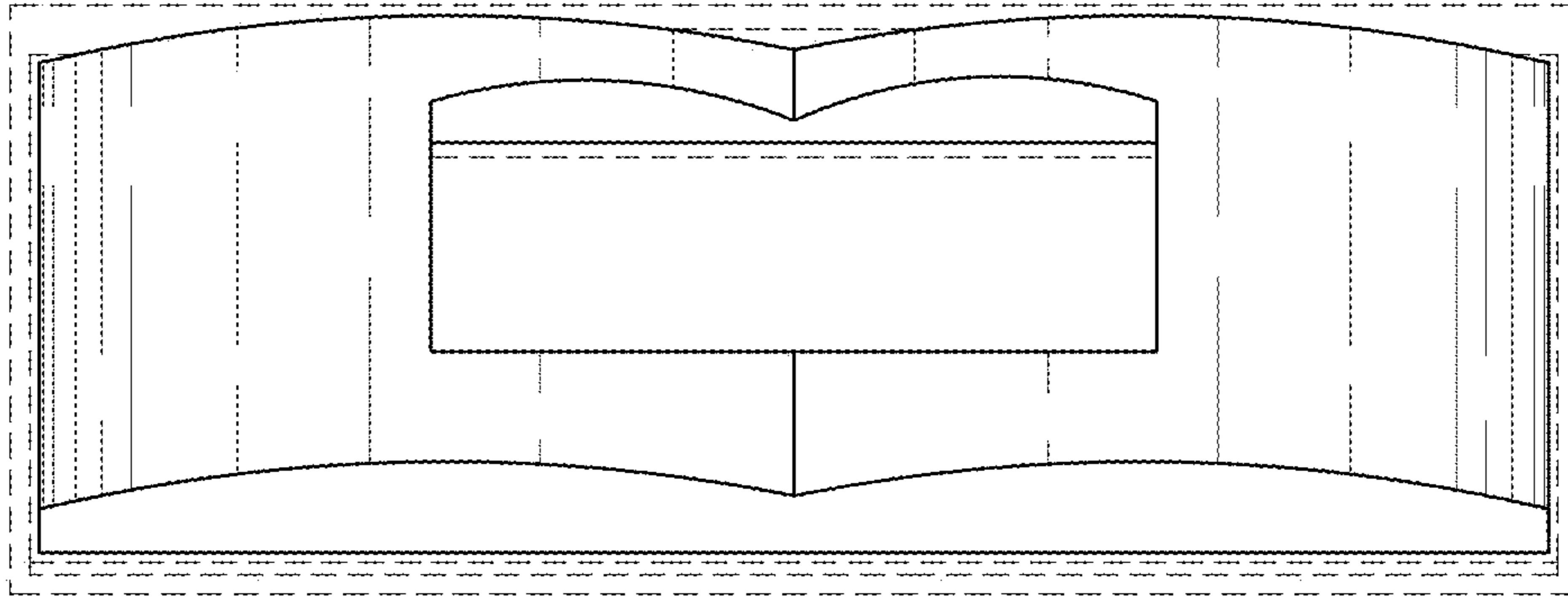


Fig. 6

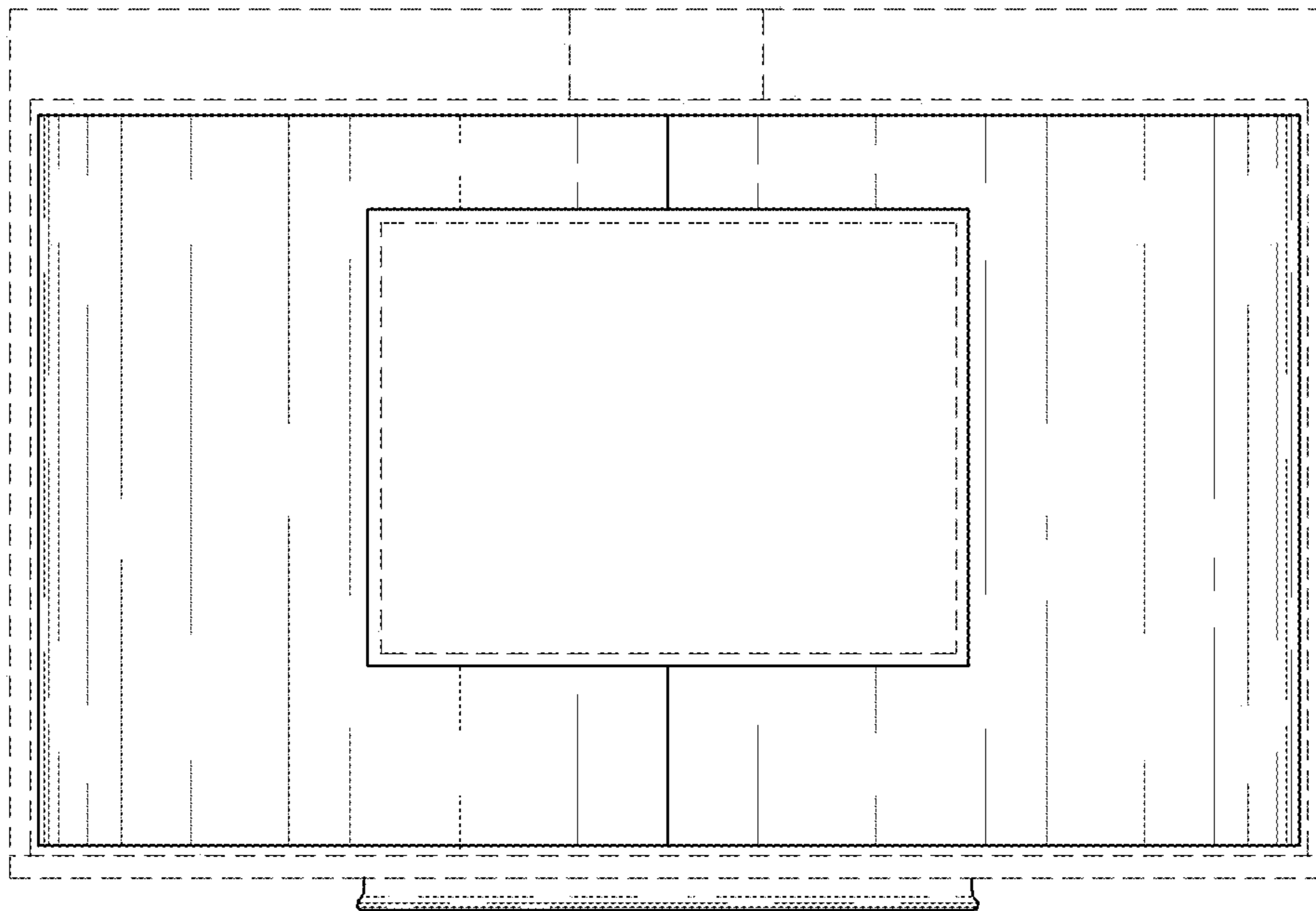


Fig. 7

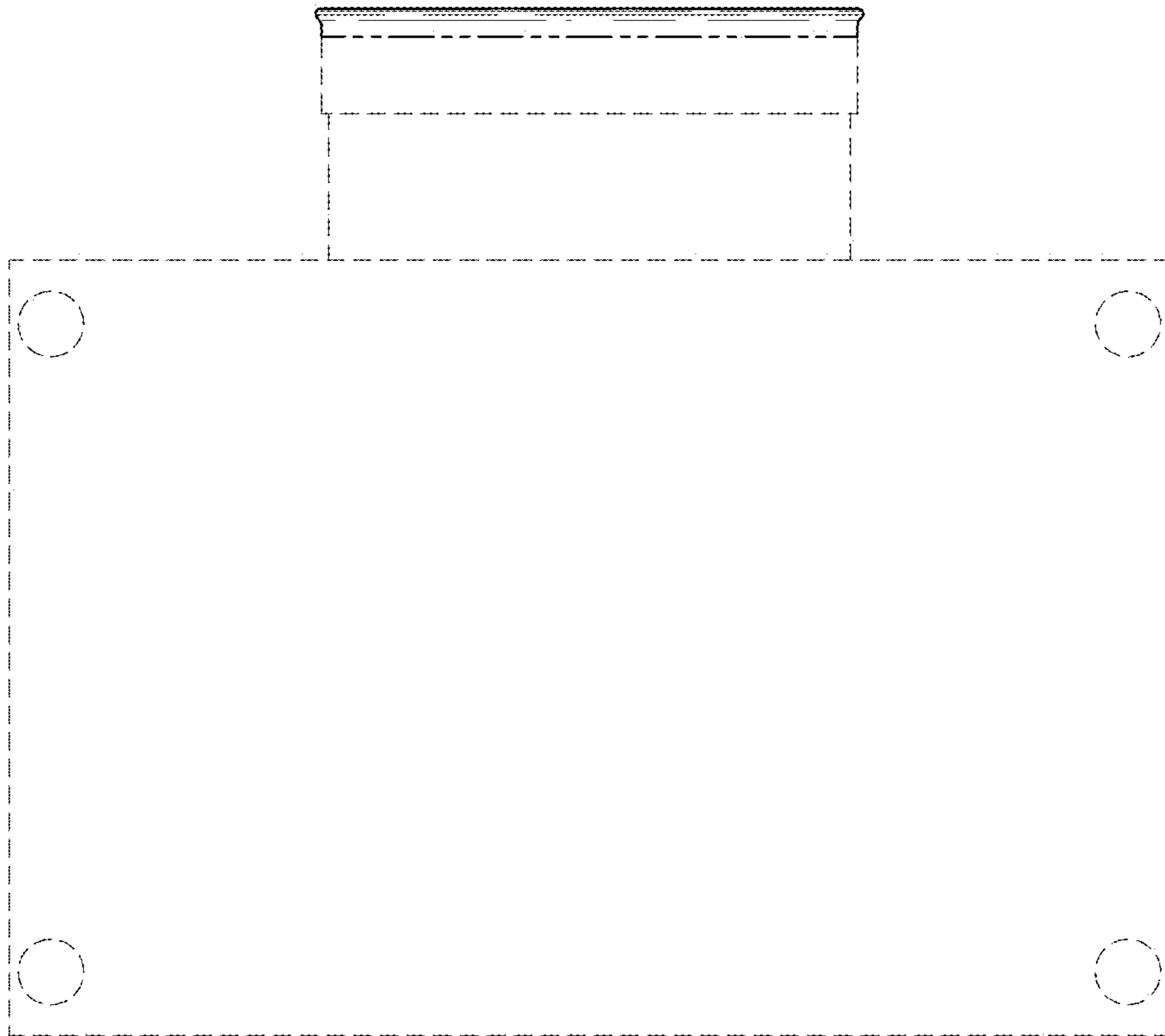


Fig. 8

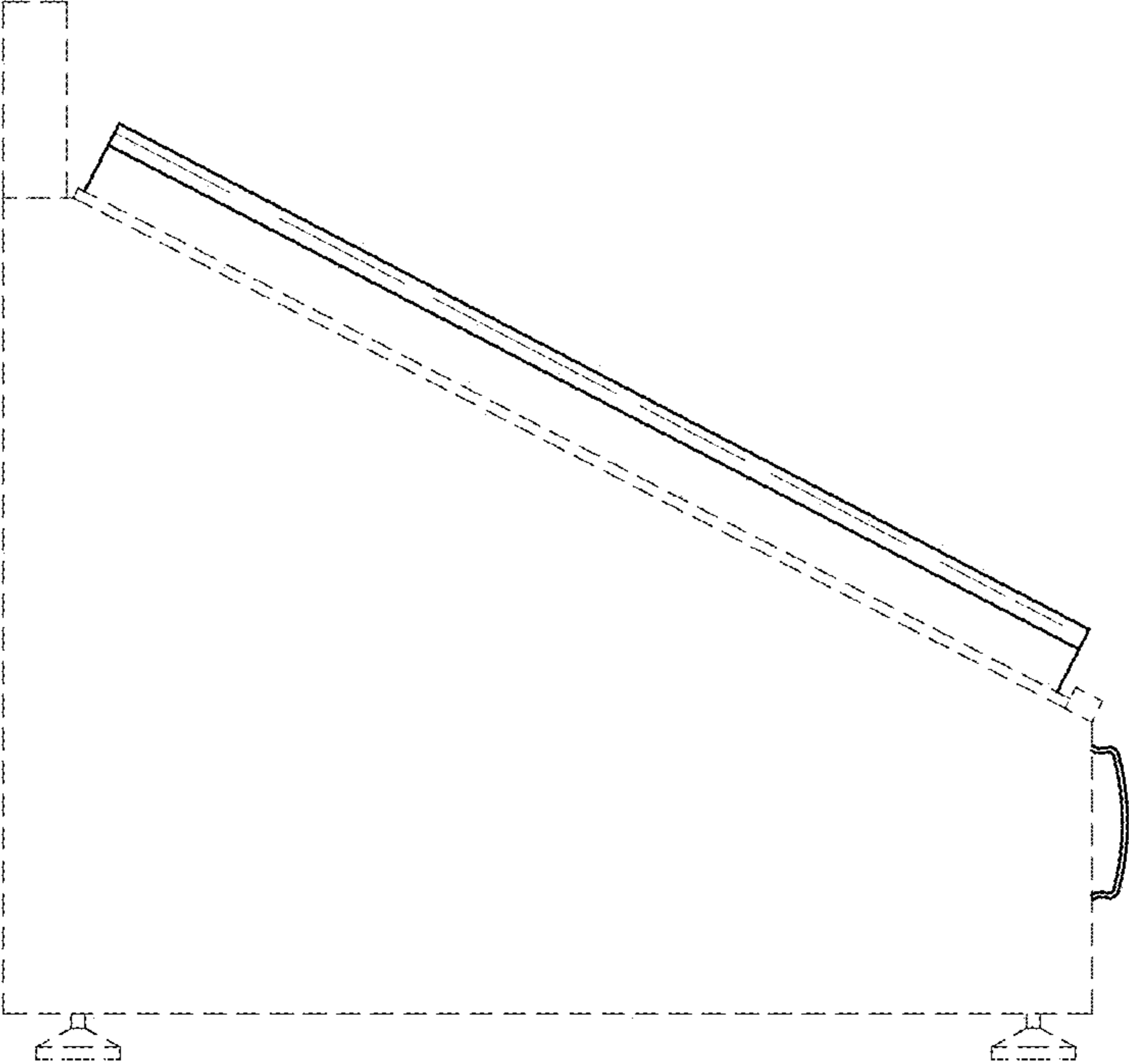


Fig. 9

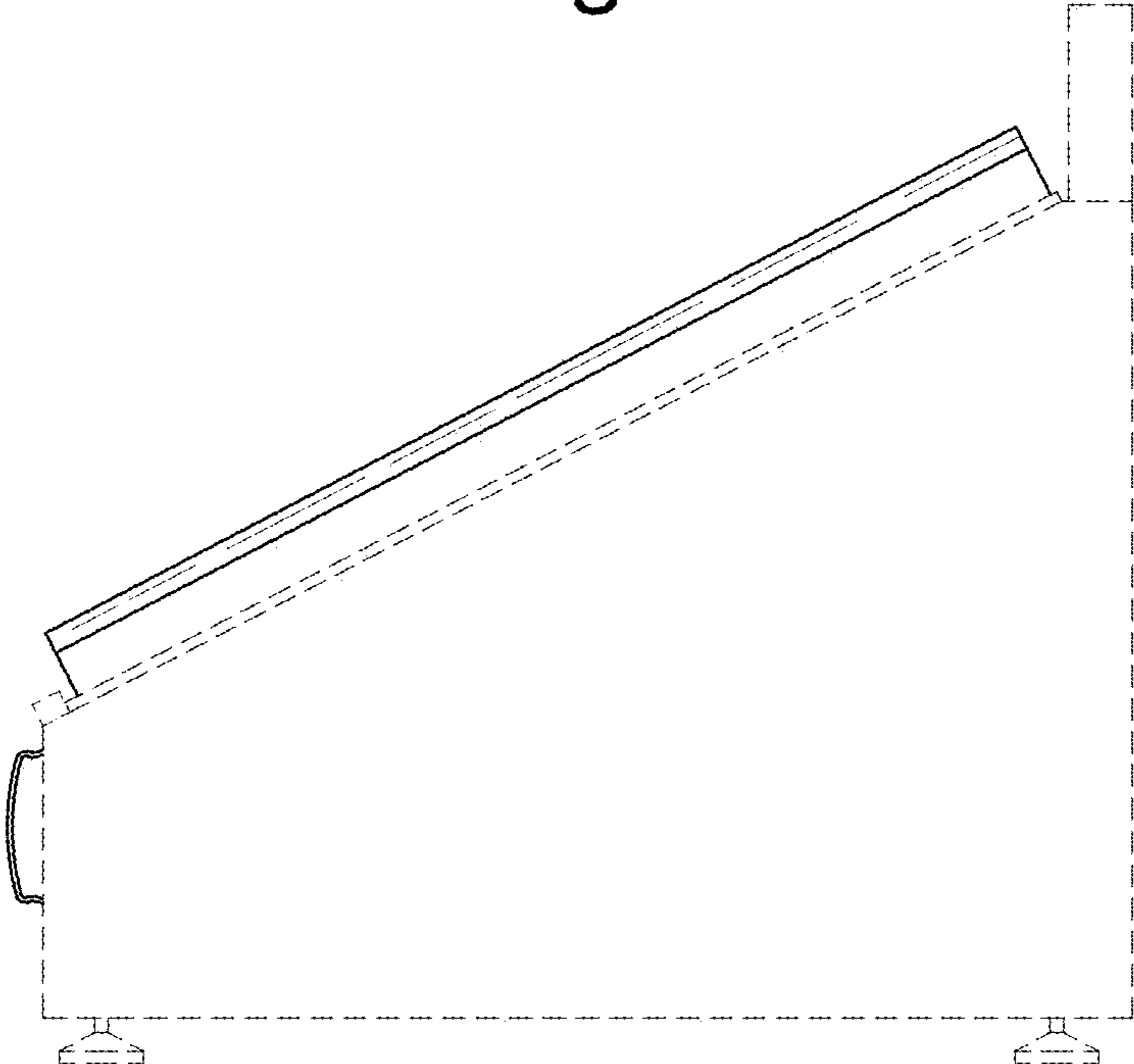


Fig. 10