



US00D739388S

(12) **United States Design Patent**  
**Paterson et al.**

(10) **Patent No.:** **US D739,388 S**

(45) **Date of Patent:** **\*\* Sep. 22, 2015**

(54) **MICROPHONE BOOM FOR A COMMUNICATIONS HEADSET**

(71) Applicant: **Plantronics, Inc.**, Santa Cruz, CA (US)

(72) Inventors: **Nicholas W Paterson**, Santa Cruz, CA (US); **Carrienne Minick**, San Jose, CA (US)

(73) Assignee: **Plantronics, Inc.**, Santa Cruz, CA (US)

(\*\*) Term: **14 Years**

(21) Appl. No.: **29/460,802**

(22) Filed: **Jul. 15, 2013**

(51) **LOC (10) Cl.** ..... **14-03**

(52) **U.S. Cl.**  
USPC ..... **D14/225; D14/223**

(58) **Field of Classification Search**

USPC ..... D14/205, 206, 223, 225; 181/129, 130, 181/135; 381/370, 371, 380, 381; 379/430, 379/431; 455/90.3, 575.1  
CPC . G10K 1/00; G10K 2200/00; G10K 2210/00; H04M 1/00; H04M 2201/00; H04M 2203/00; H04M 2207/00; H04M 2250/00; H04R 1/1008; H04R 1/1016; H04R 1/1066; H04R 5/0335; H04R 25/00; H04R 25/652; H04R 25/656; H04R 25/658

See application file for complete search history.

(56) **References Cited**

U.S. PATENT DOCUMENTS

D420,007	S	*	2/2000	Marshall et al.	.....	D14/226
D447,472	S	*	9/2001	McGugan	.....	D14/225
D539,789	S	*	4/2007	Rausch et al.	.....	D14/225
D563,395	S	*	3/2008	Pitcher et al.	.....	D14/227
D635,962	S	*	4/2011	Kelley	.....	D14/223
D667,388	S	*	9/2012	Kelley	.....	D14/206
D681,004	S	*	4/2013	Kelley	.....	D14/206
D681,014	S	*	4/2013	Ham et al.	.....	D14/223
D691,113	S	*	10/2013	Gougherty et al.	.....	D14/206
D707,655	S	*	6/2014	Porter	.....	D14/206

\* cited by examiner

*Primary Examiner* — Keli L Hill

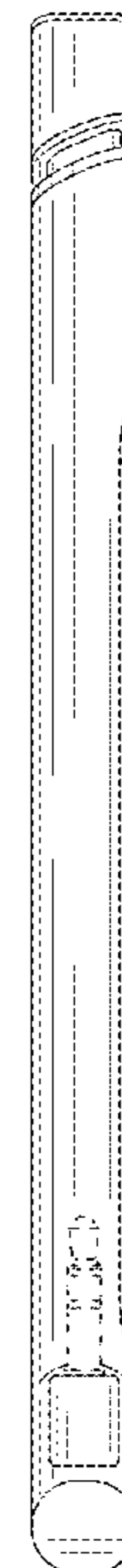
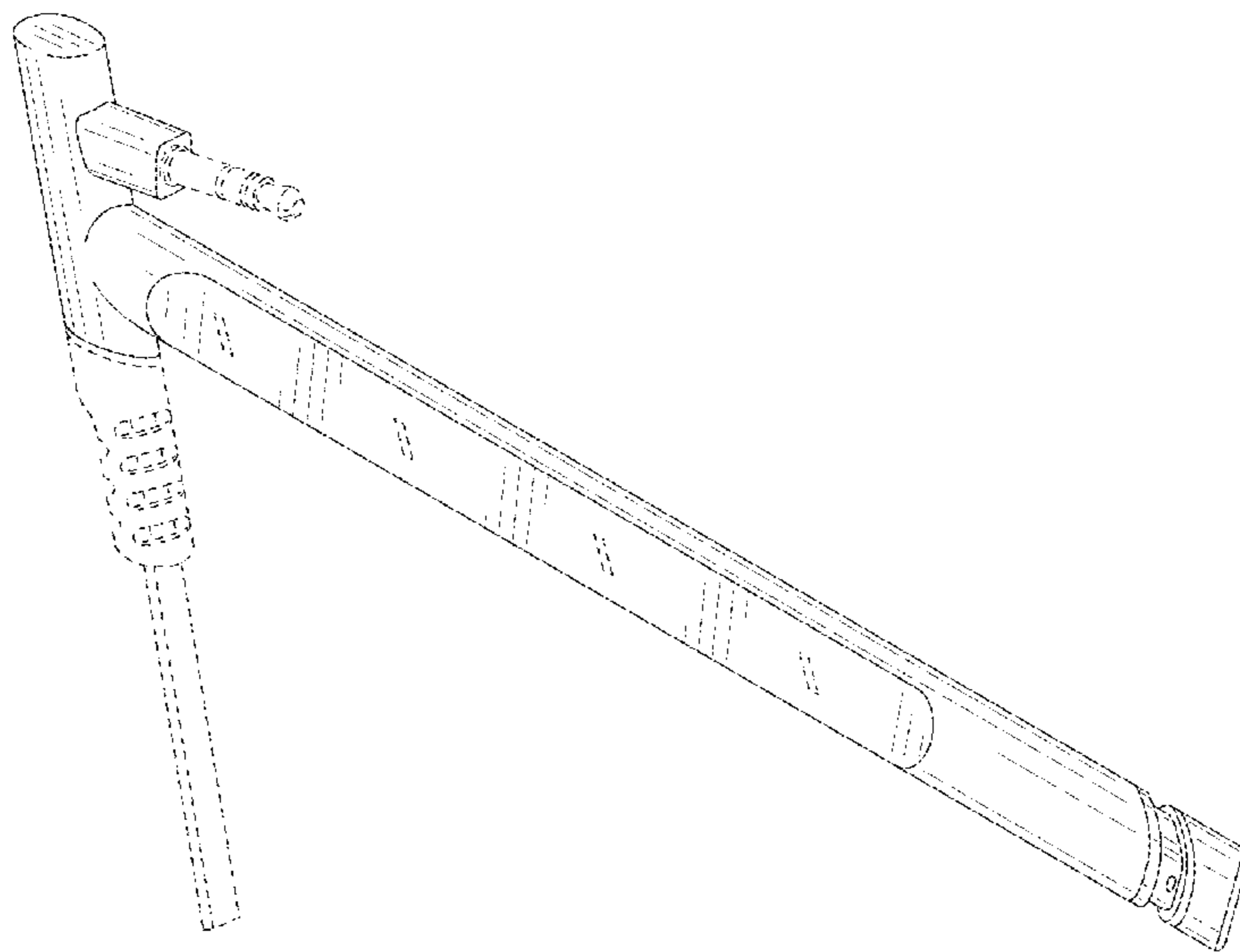
(57) **CLAIM**

The ornamental design for a microphone boom for a communications headset, as shown and described.

**DESCRIPTION**

FIG. 1 is a perspective view of a microphone boom for a communications headset showing our new design; FIG. 2 is a front view thereof; FIG. 3 is a back view thereof; FIG. 4 is a right side view thereof; FIG. 5 is a left side view thereof; FIG. 6 is a bottom view thereof; and, FIG. 7 is a top view thereof. The broken lines showing the unclaimed environment forms no part of the claimed design.

**1 Claim, 4 Drawing Sheets**



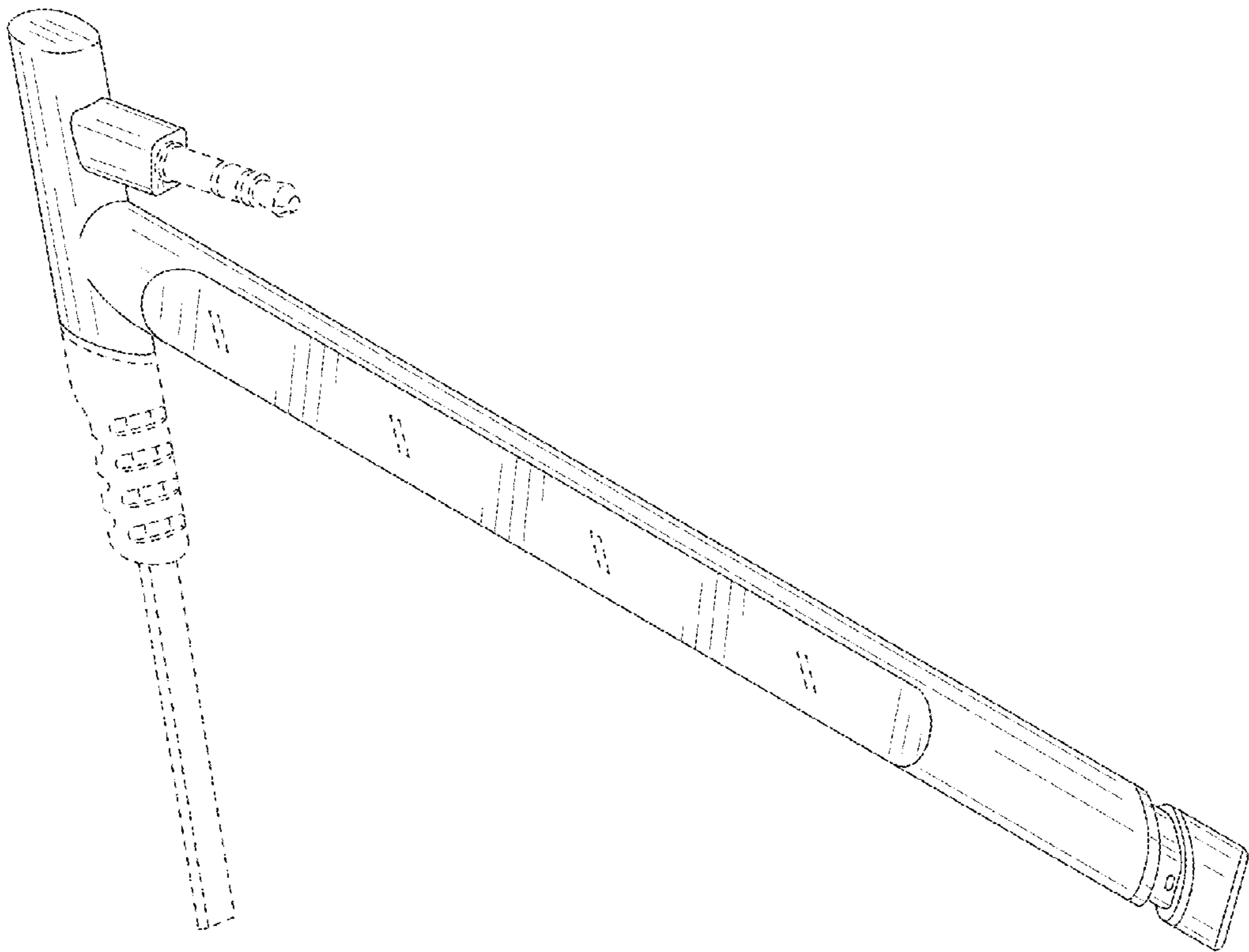
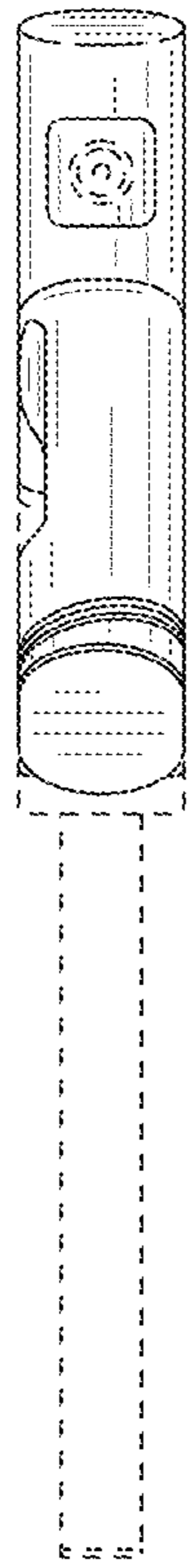
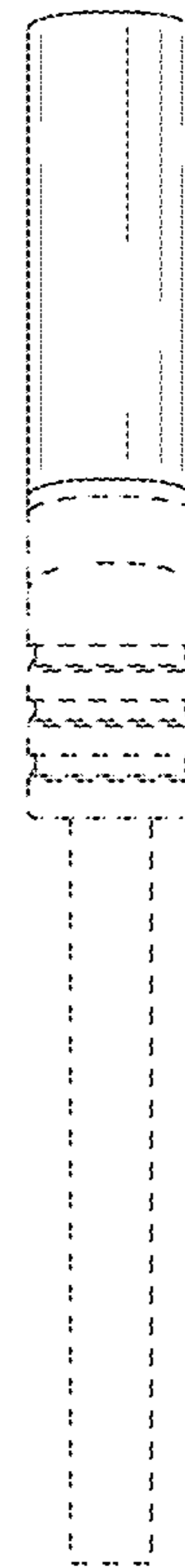


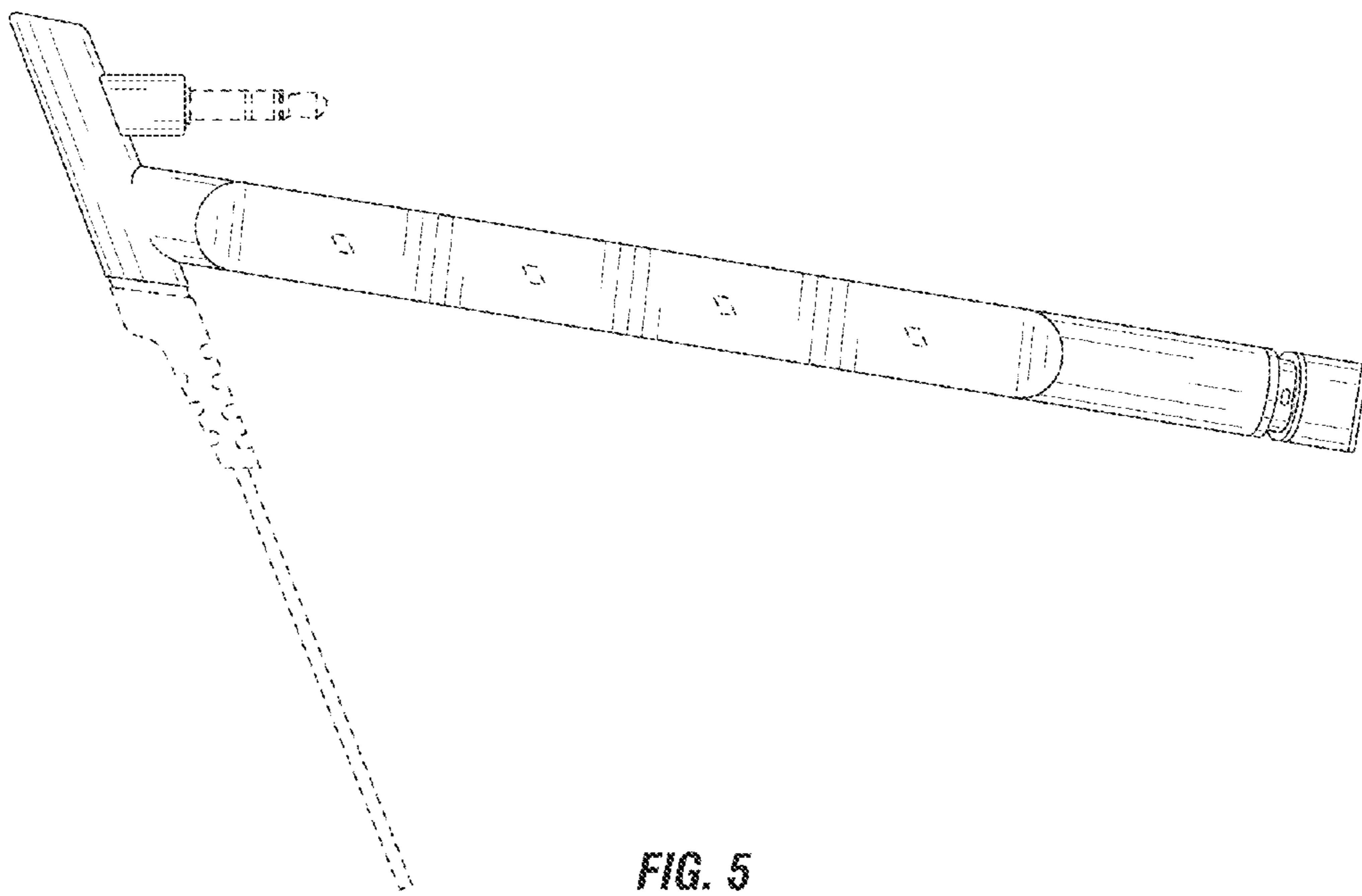
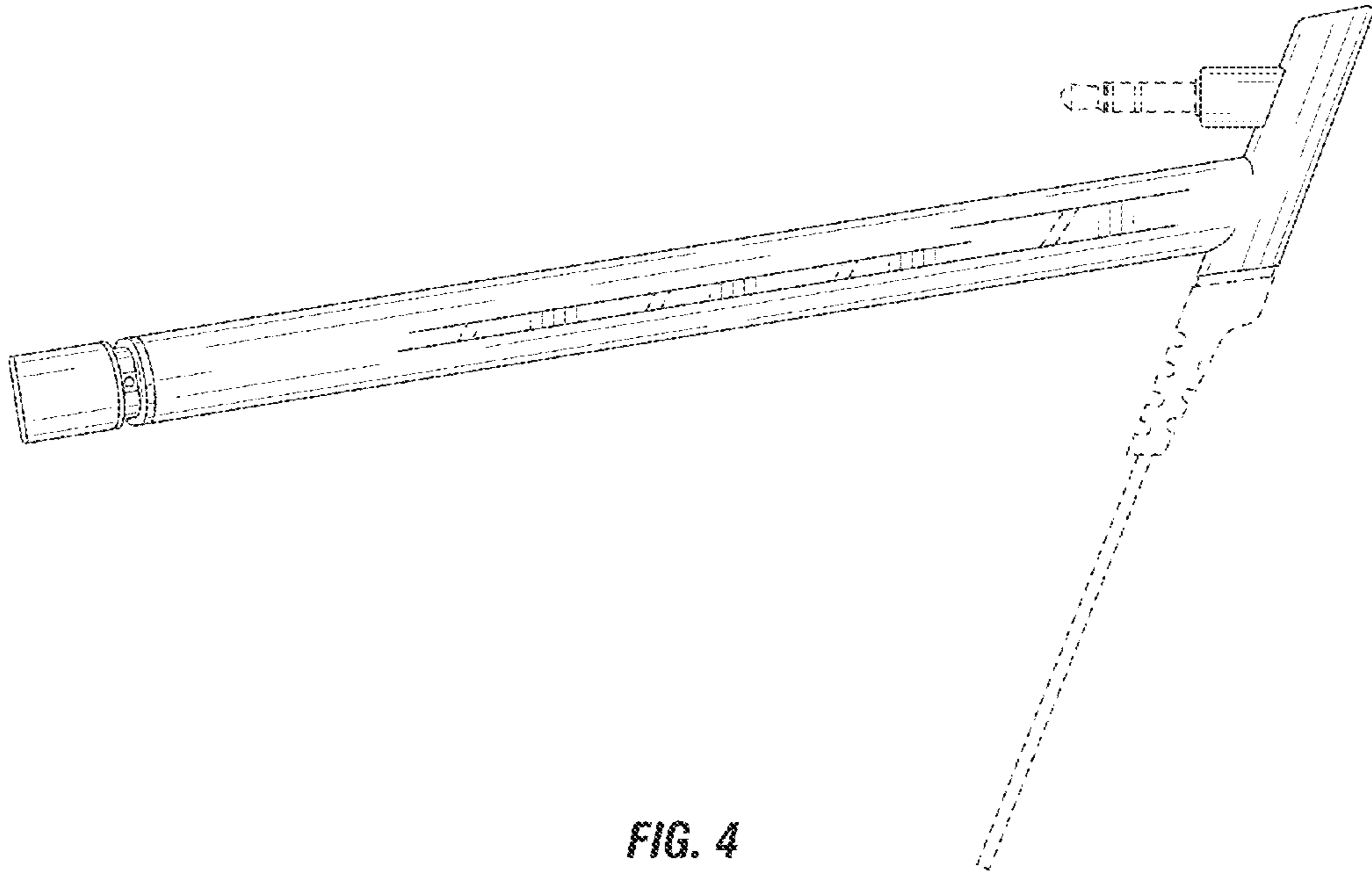
FIG. 1

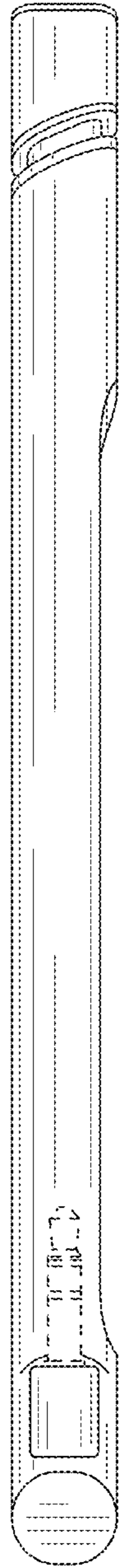


**FIG. 2**

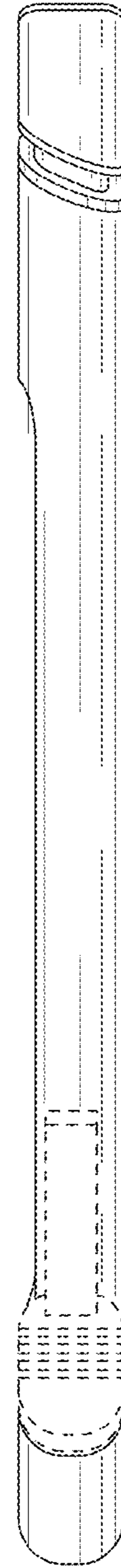


**FIG. 3**





**FIG. 6**



**FIG. 7**