



US00D739387S

(12) **United States Design Patent**
Fujioka

(10) **Patent No.:** **US D739,387 S**

(45) **Date of Patent:** **** Sep. 22, 2015**

- (54) **CURVED SPEAKERS MOUNTING ACCESSORY**
- (71) Applicant: **Robb Fujioka**, Manhattan Beach, CA (US)
- (72) Inventor: **Robb Fujioka**, Manhattan Beach, CA (US)
- (73) Assignee: **Fuhu, Inc.**, El Segundo, CA (US)
- (**) Term: **14 Years**
- (21) Appl. No.: **29/487,696**
- (22) Filed: **Apr. 10, 2014**
- (51) **LOC (10) Cl.** **14-01**
- (52) **U.S. Cl.**
USPC **D14/224**
- (58) **Field of Classification Search**
USPC D14/224.1, 224, 207, 211, 217, 214,
D14/221, 203.1, 200, 209.1, 447; D9/620;
D21/658; 381/338, 339; 320/113, 114;
D6/327; 248/158, 162.1, 123.11, 317,
248/325, 346.01
CPC H04R 1/02
See application file for complete search history.

(56) **References Cited**

U.S. PATENT DOCUMENTS

1,502,385	A *	7/1924	Hauenstein	248/346.01
1,893,799	A *	1/1933	Harrington	248/188.7
2,192,167	A *	3/1940	Bagley et al.	211/113
D149,171	S *	4/1948	Cohen	D7/399
2,481,773	A *	9/1949	Nelson	248/107
D176,069	S *	11/1955	Kamp	D14/229
D179,540	S *	1/1957	Knechtsbarger	D14/227
D222,072	S *	9/1971	Levitt	D14/211
D223,968	S *	6/1972	Collura	D19/54
3,693,923	A *	9/1972	Ayoub et al.	248/690
3,946,196	A *	3/1976	Waters et al.	219/222
D251,426	S *	3/1979	Molyneux	D14/229
D262,213	S *	12/1981	Janda	D14/253

D290,706	S *	7/1987	Peart et al.	D14/451
4,944,481	A *	7/1990	Yurchenco et al.	248/372.1
5,048,789	A *	9/1991	Eason et al.	248/544
D329,304	S *	9/1992	Tipp	D28/38
5,419,263	A *	5/1995	Mills	108/6
D390,209	S *	2/1998	Dials et al.	D14/451
D391,574	S *	3/1998	Chen	D14/211
5,845,885	A *	12/1998	Carnevali	248/181.1
D404,036	S *	1/1999	Shin et al.	D14/211
D417,872	S *	12/1999	Monson	D14/211
D432,116	S *	10/2000	Ichikawa et al.	D14/211
D460,064	S *	7/2002	Solland	D14/207
D461,795	S *	8/2002	Mayette et al.	D14/224
D465,778	S *	11/2002	Solland	D14/215
D467,241	S *	12/2002	Solland	D14/224
D483,741	S *	12/2003	Olson et al.	D14/216
D487,260	S *	3/2004	Wang	D14/211
D489,054	S *	4/2004	Weikel et al.	D14/211
D494,572	S *	8/2004	Moeller	D14/224
D507,790	S *	7/2005	Dayan	D14/215
6,981,682	B2 *	1/2006	Kind	248/444
D530,309	S *	10/2006	Hoehn et al.	D14/211
D534,157	S *	12/2006	Yokoyama	D14/211
D542,268	S *	5/2007	Heath	D14/211
7,245,481	B2 *	7/2007	Shimizu et al.	361/679.08
D595,298	S *	6/2009	Zonshine et al.	D14/451

(Continued)

Primary Examiner — Paula Greene

(74) *Attorney, Agent, or Firm* — Steptoe & Johnson LLP

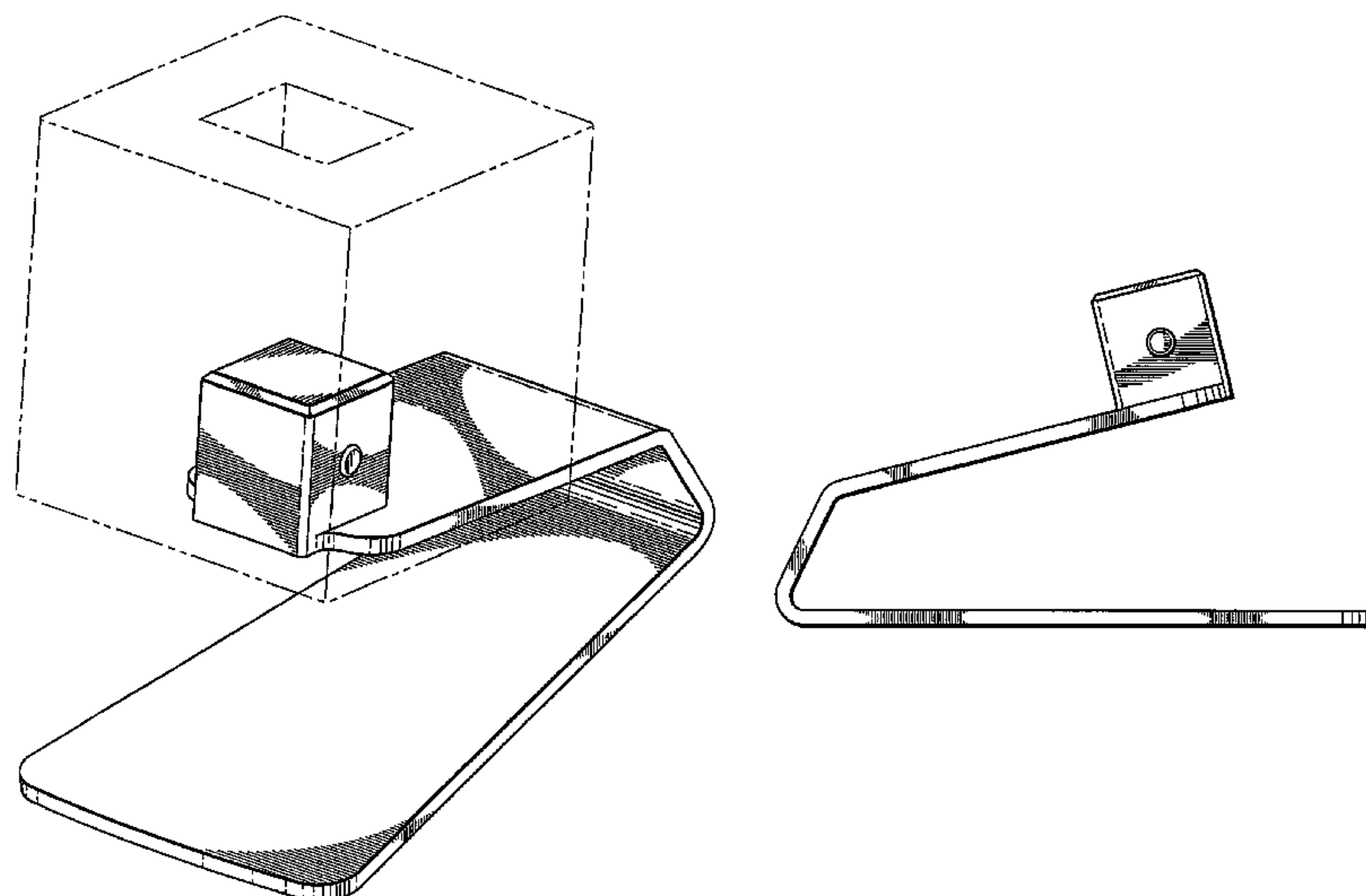
(57) **CLAIM**

The ornamental design for an curved speakers mounting accessory, as shown and described.

DESCRIPTION

FIG. 1 is a top, front, right side perspective view of my new design;
 FIG. 2 is a front elevation view;
 FIG. 3 is a rear elevation view;
 FIG. 4 is a left side elevation view, the right side elevation view being a mirror image;
 FIG. 5 is a top plan view; and,
 FIG. 6 is a bottom plan view.

1 Claim, 3 Drawing Sheets



(56)

References Cited

U.S. PATENT DOCUMENTS

D595,701 S * 7/2009 Chuang et al. D14/238
D610,587 S * 2/2010 Bandringa D14/447
D633,897 S * 3/2011 Chiu D14/211

D634,737 S * 3/2011 Lippert et al. D14/229
D656,484 S * 3/2012 Pazandeh D14/211
D672,754 S * 12/2012 Inada D14/224
D685,806 S * 7/2013 Kim et al. D14/451
8,668,179 B2 * 3/2014 Corn et al. 248/346.01

* cited by examiner

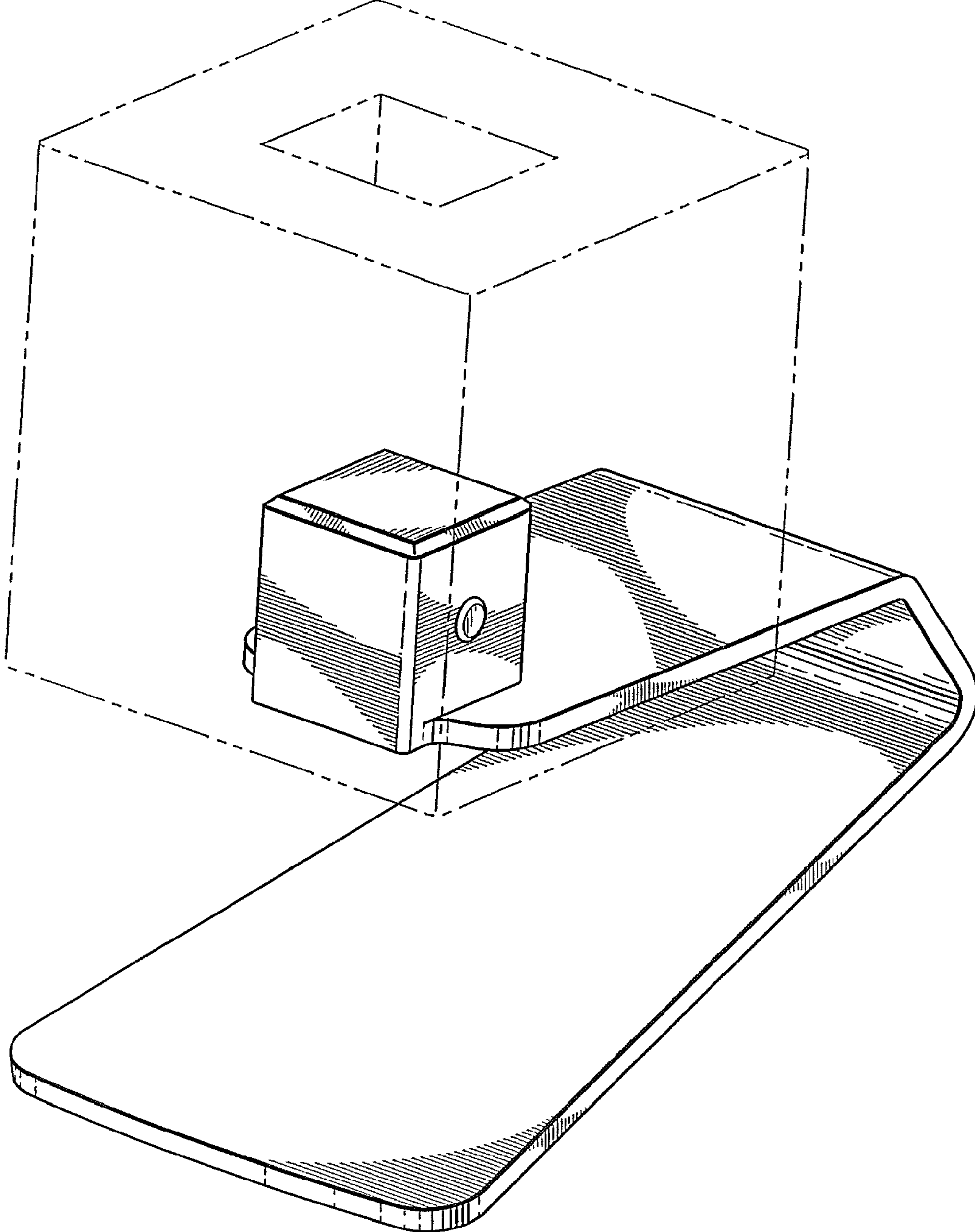


FIG. 1

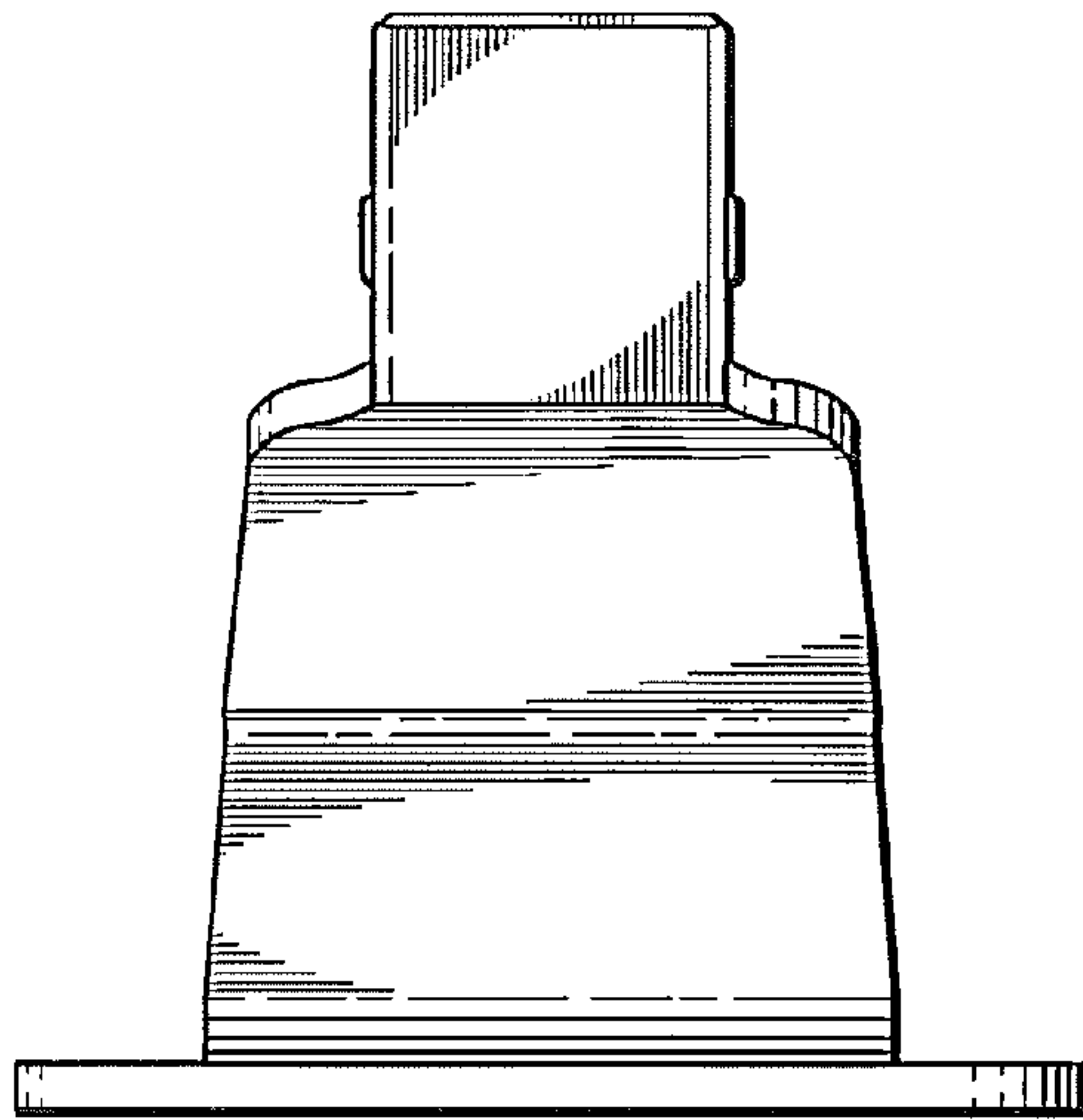


FIG. 2

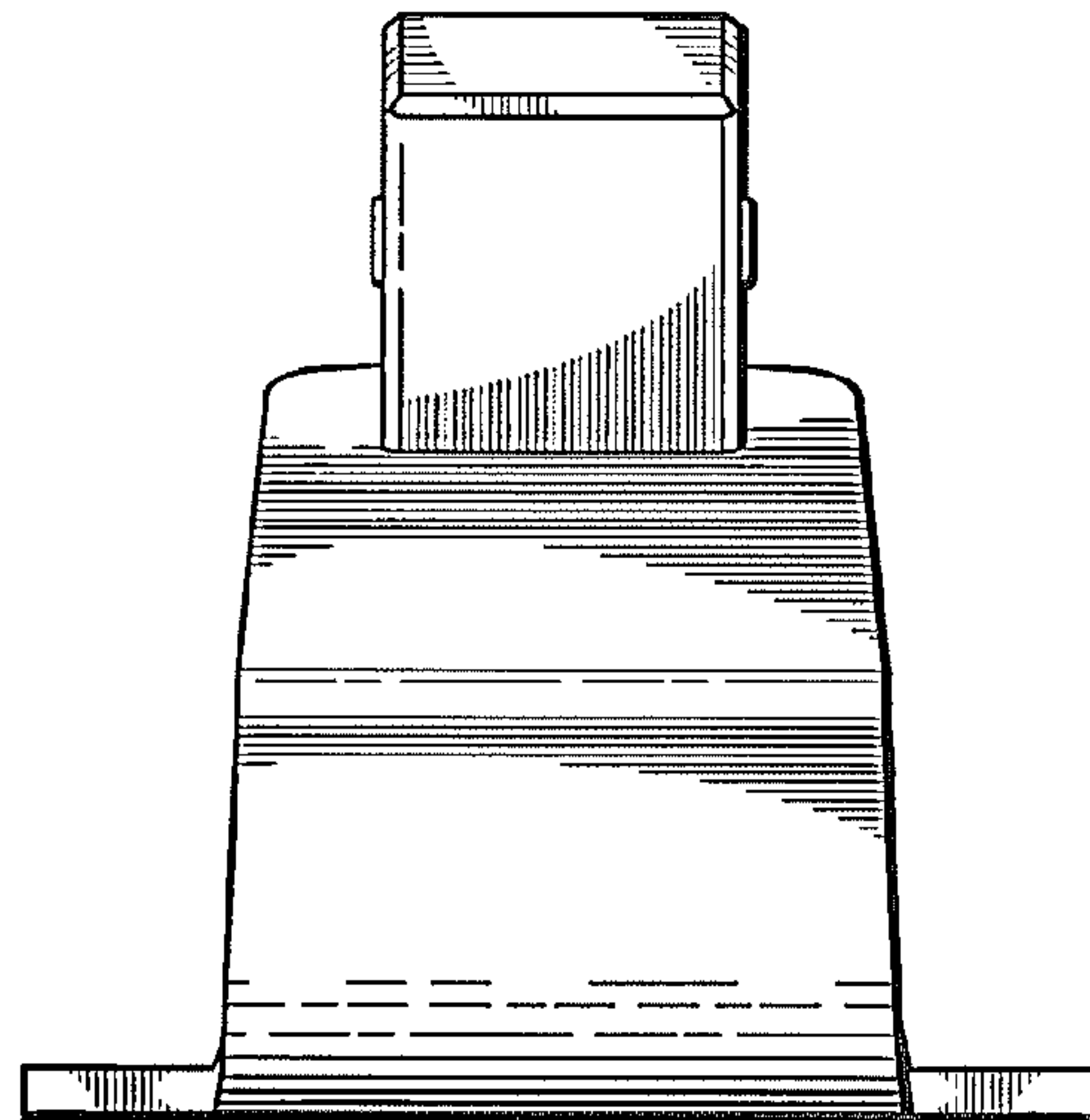


FIG. 3

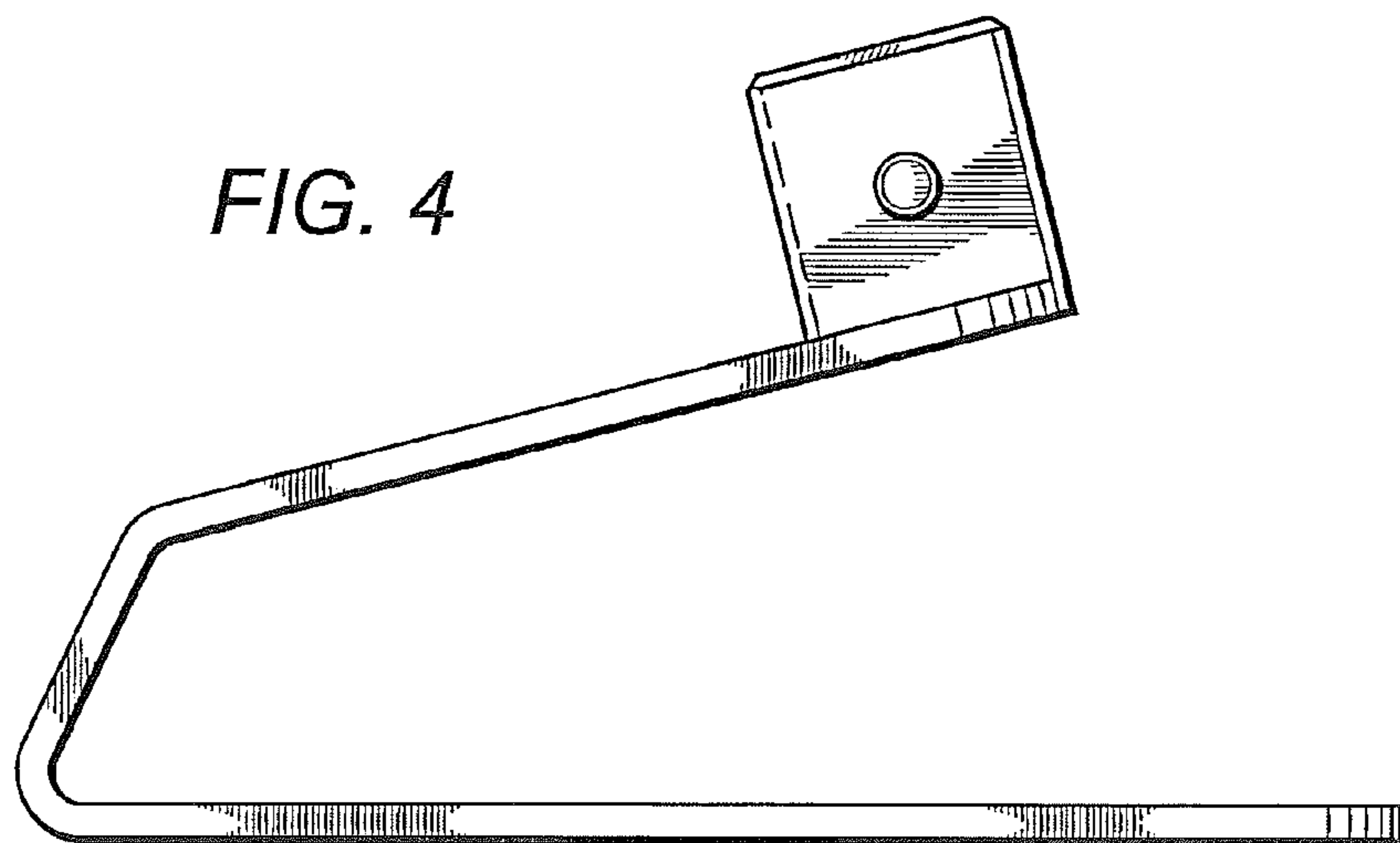


FIG. 4

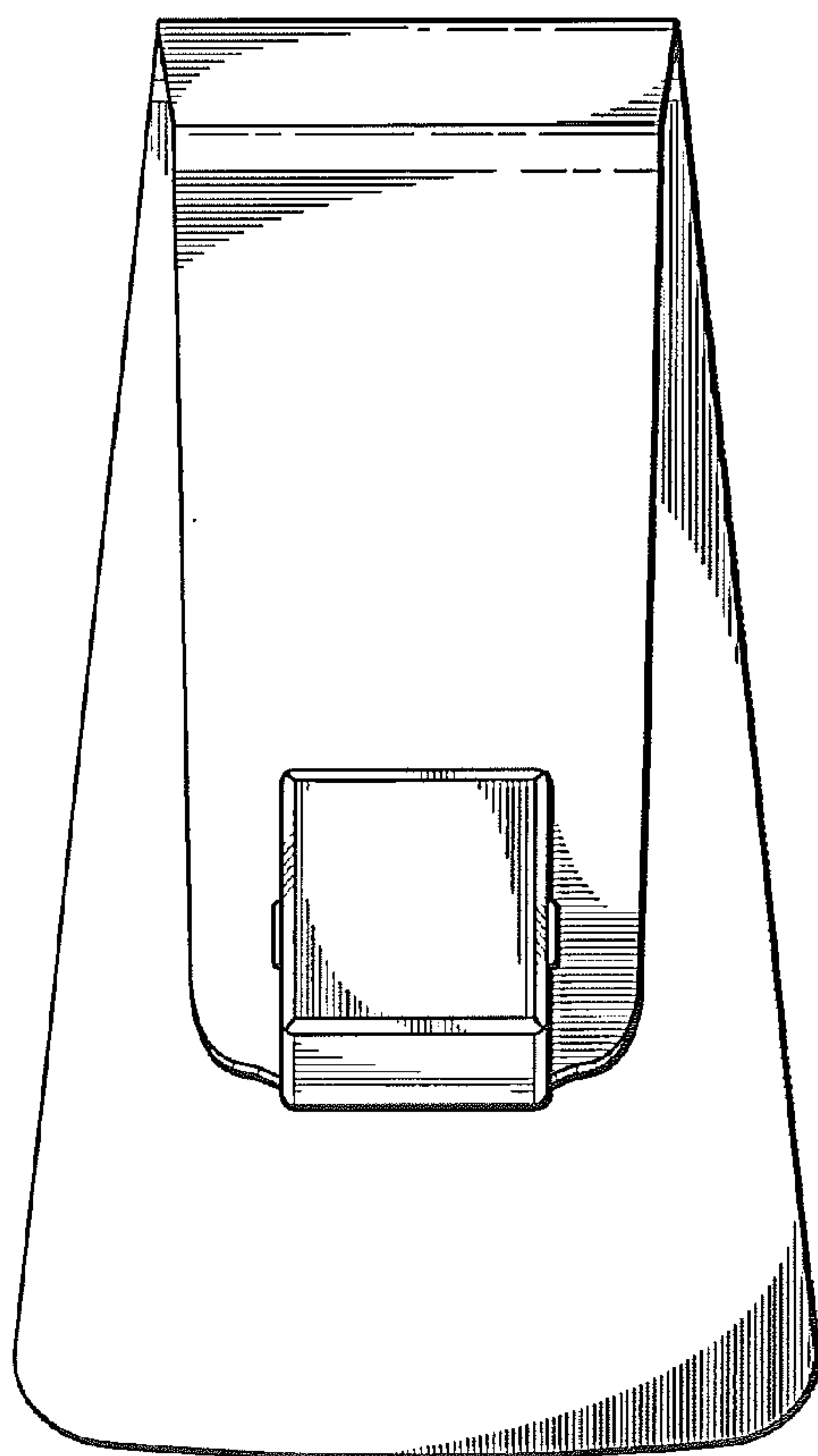


FIG. 5

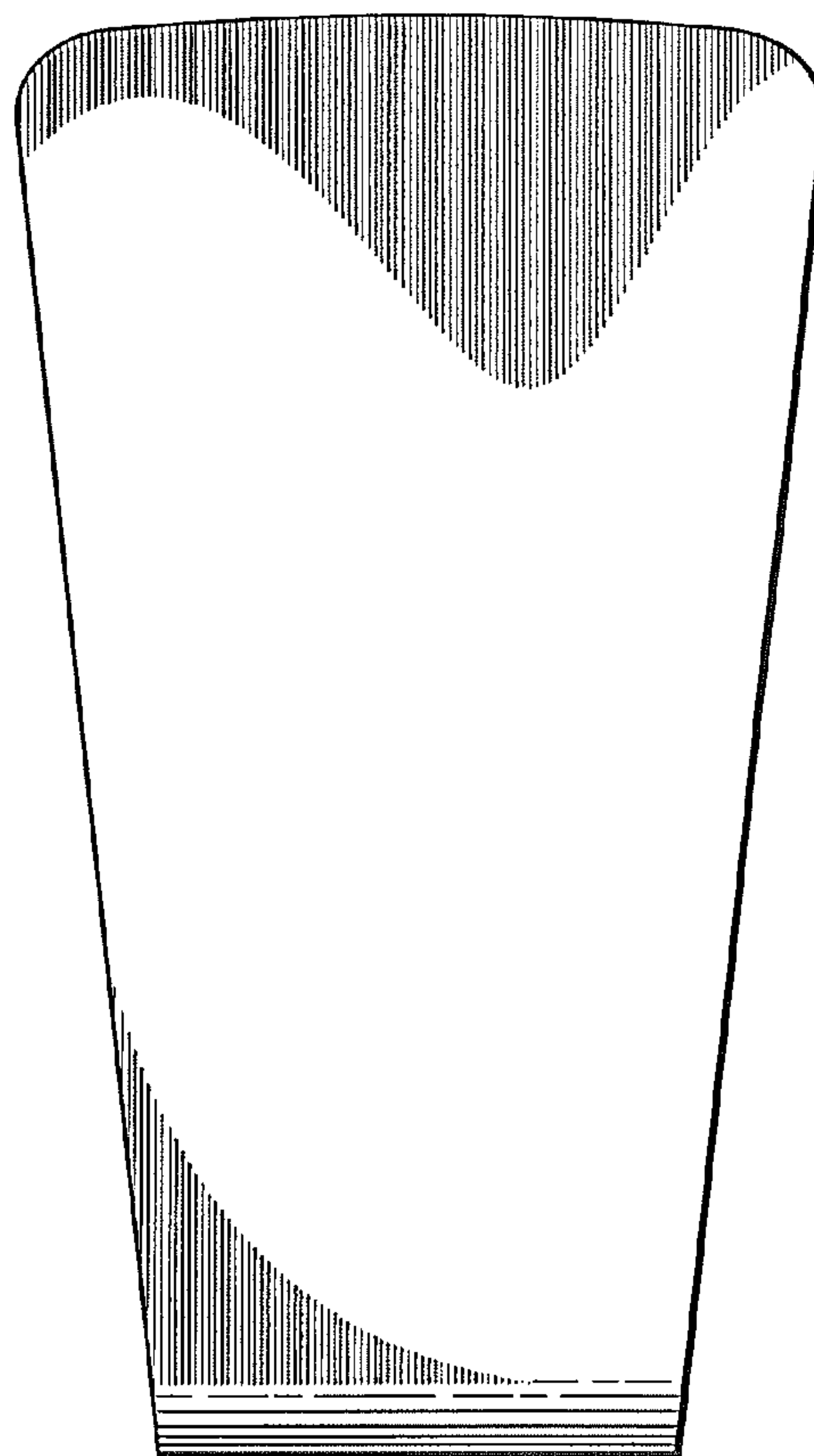


FIG. 6