



US00D739385S

(12) **United States Design Patent**
James et al.

(10) **Patent No.:** **US D739,385 S**

(45) **Date of Patent:** **** Sep. 22, 2015**

(54) **REMOTE CONTROL**

(71) Applicant: **Intel Corporation**, Santa Clara, CA (US)

(72) Inventors: **Gregory A. James**, Phoenix, AZ (US);
David G. Payne, Beaverton, OR (US);
Michael J. Castillo, Hillsboro, OR (US);
Fraser Stirling, Santa Clara, CA (US);
Simon J. Waterfall, Santa Clara, CA (US);
Gadi Amit, San Francisco, CA (US);
Chadwick Harber, San Francisco, CA (US);
Julien Rouillac, San Francisco, CA (US)

(73) Assignee: **Intel Corporation**, Santa Clara, CA (US)

(**) Term: **14 Years**

(21) Appl. No.: **29/477,913**

(22) Filed: **Dec. 28, 2013**

(51) **LOC (10) Cl.** **14-03**

(52) **U.S. Cl.**
USPC **D14/218**

(58) **Field of Classification Search**
USPC D14/218, 137-139, 174, 151, 191-193,
D14/299, 167, 168, 221; D13/168,
D13/162-164; D21/512-517, 566;
D10/104, 106; 455/352-355,
455/151.1-151.4, 128, 347, 90.3; 348/114,
348/734

See application file for complete search history.

(56) **References Cited**

U.S. PATENT DOCUMENTS

D226,197	S	*	1/1973	Liljenwall	D18/6
D253,886	S	*	1/1980	Orn	D14/138 AA
D266,758	S	*	11/1982	Johannsen et al.	D13/168
D277,795	S	*	2/1985	Griffiths	D34/35
D279,565	S	*	7/1985	Forbis et al.	D14/346
D345,548	S	*	3/1994	Giebler et al.	D14/339
D445,785	S	*	7/2001	Van Scoyoc et al.	D14/340
D526,639	S	*	8/2006	Huang	D14/147
D527,720	S	*	9/2006	Huang	D14/147
D548,736	S	*	8/2007	Arseneau et al.	D14/346
D597,059	S	*	7/2009	Haspil et al.	D14/147
RE43,996	E	*	2/2013	Huang	D14/147

* cited by examiner

Primary Examiner — John Windmuller

(74) *Attorney, Agent, or Firm* — Patent Capital Group

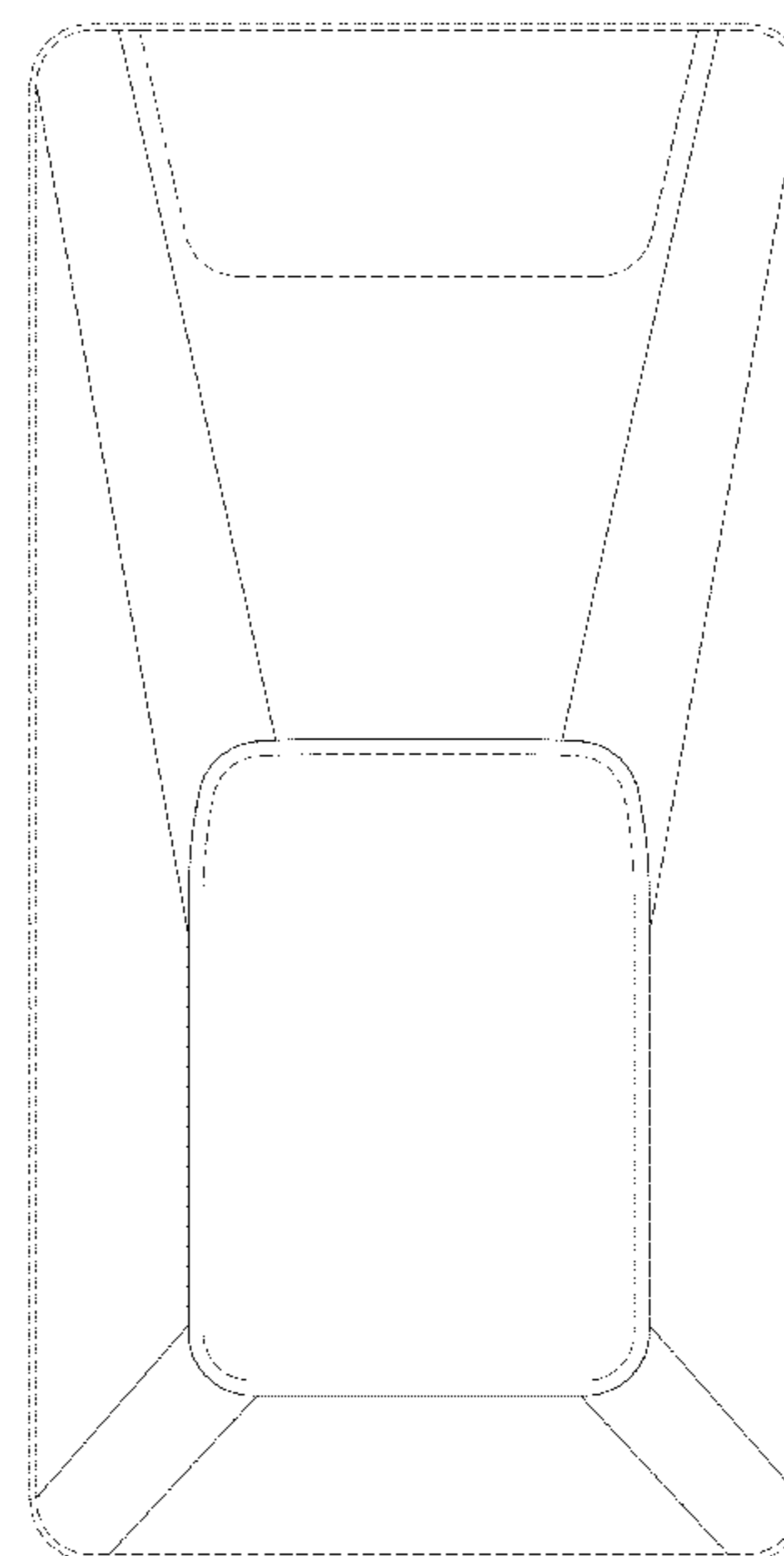
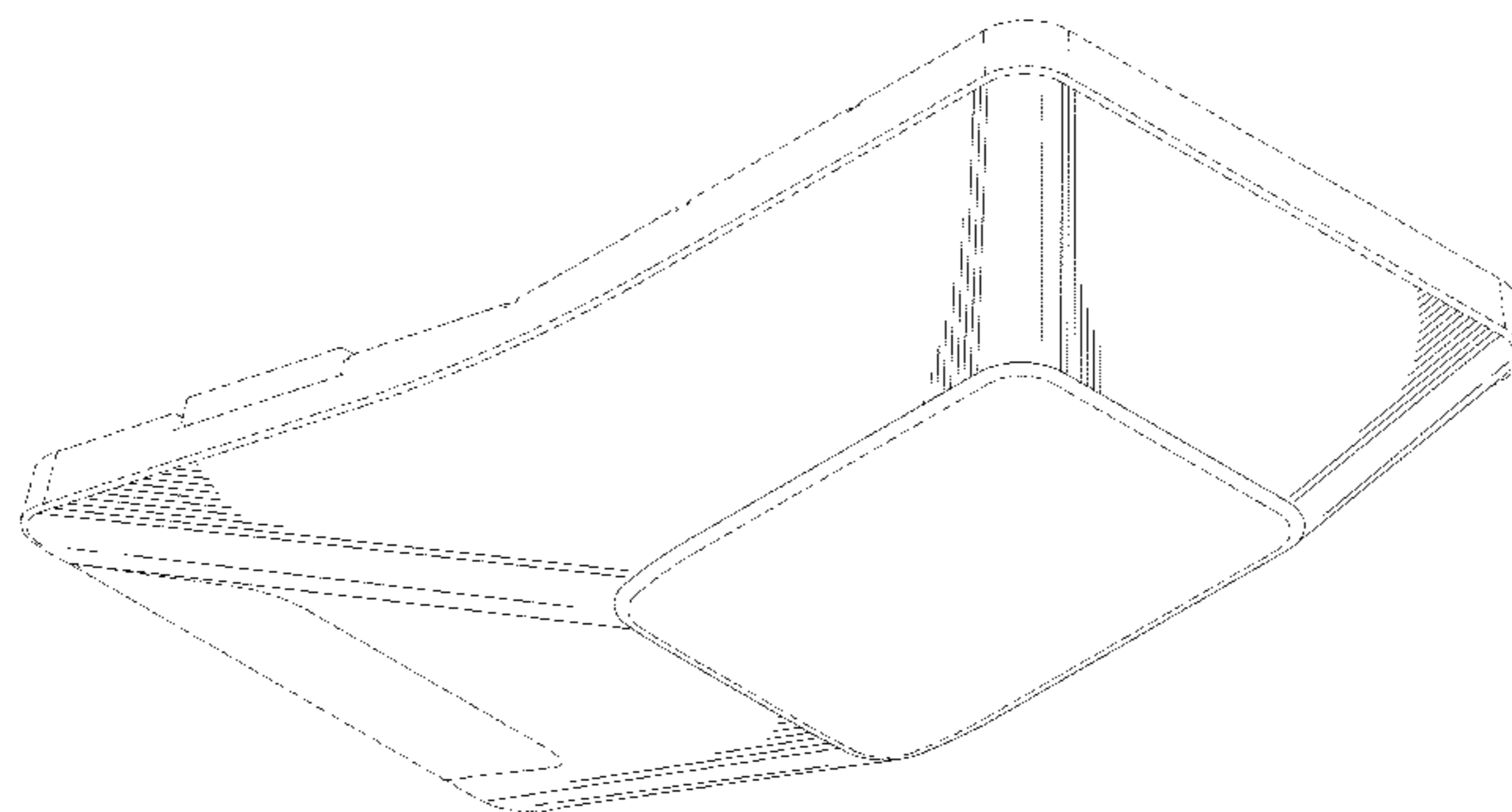
(57) **CLAIM**

The ornamental design for a remote control, as shown and described.

DESCRIPTION

FIG. 1 is a perspective view illustrating a remote control design;
FIG. 2 is a front view illustrating a remote control design;
FIG. 3 is a back view illustrating a remote control design;
FIG. 4 is a side view illustrating a remote control design;
FIG. 5 is another side view illustrating a remote control design;
FIG. 6 is a top view illustrating a remote control design;
FIG. 7 is a bottom view illustrating a remote control design;
and,
FIG. 8 is a perspective view illustrating a remote control design.
The broken lines in the figures depict portions of the remote control that form no part of the claimed design.

1 Claim, 6 Drawing Sheets



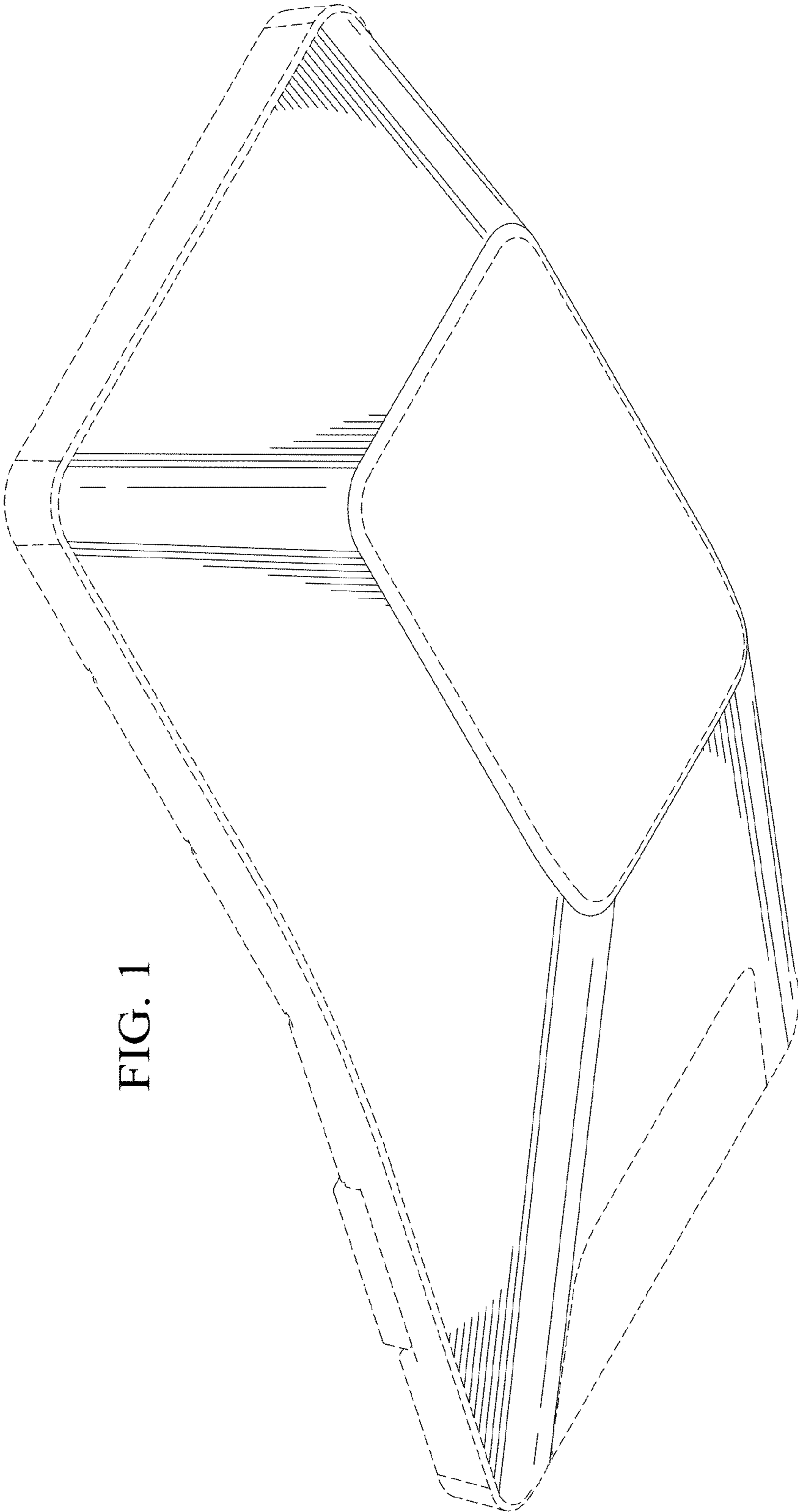


FIG. 1

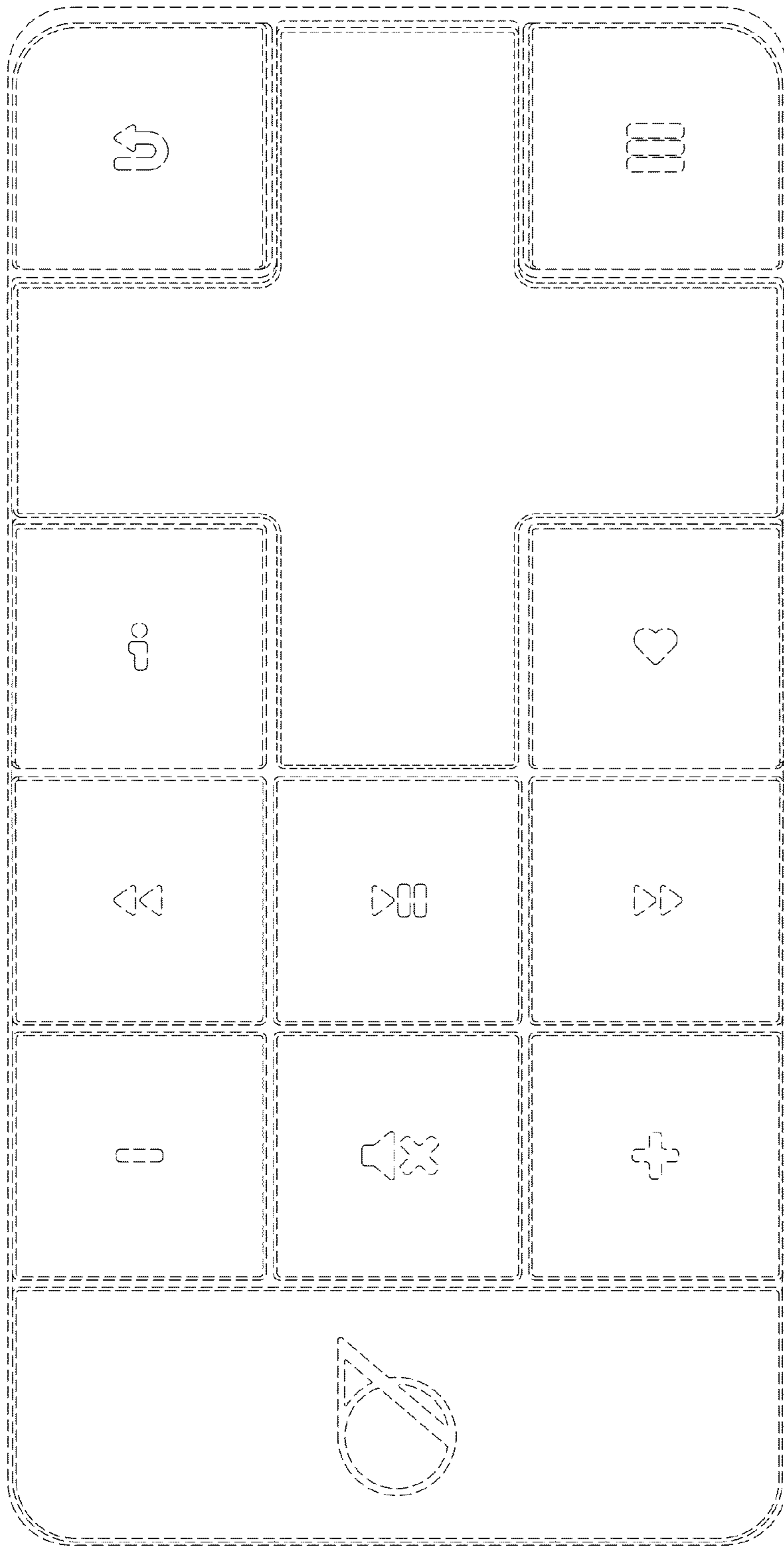


FIG. 2

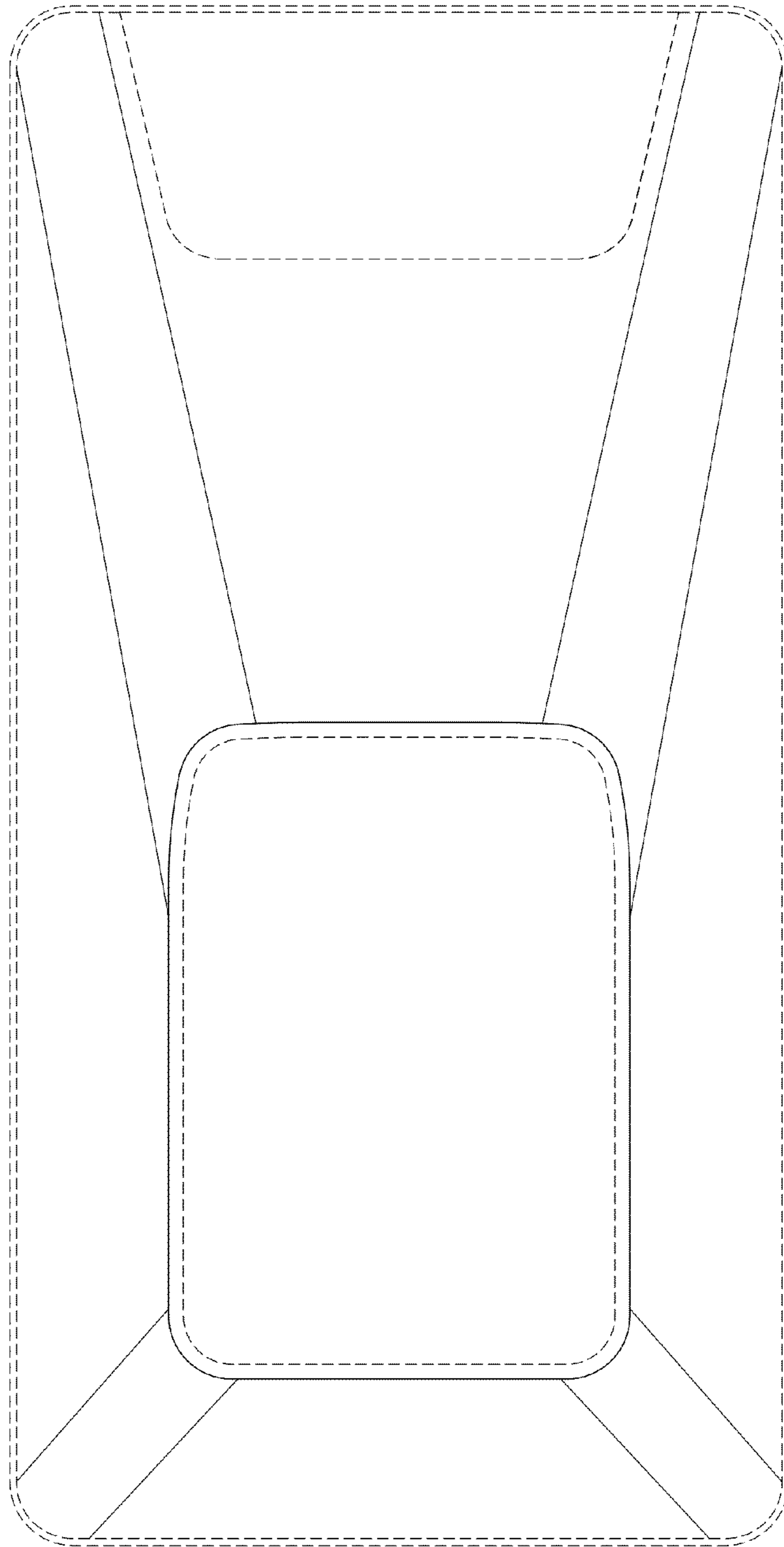


FIG. 3

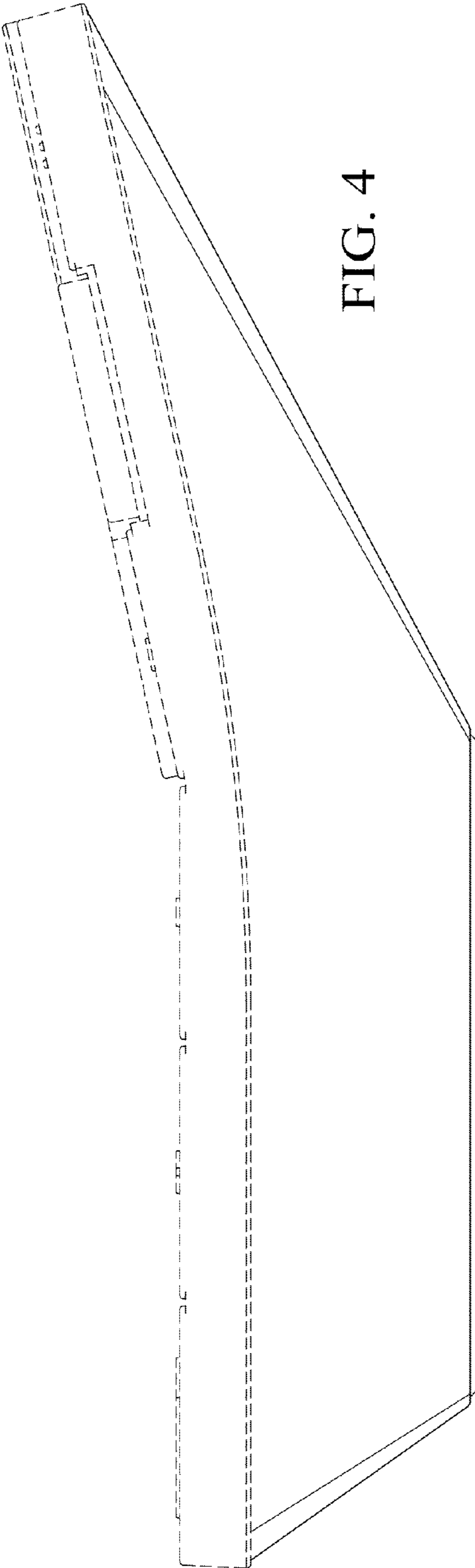


FIG. 4

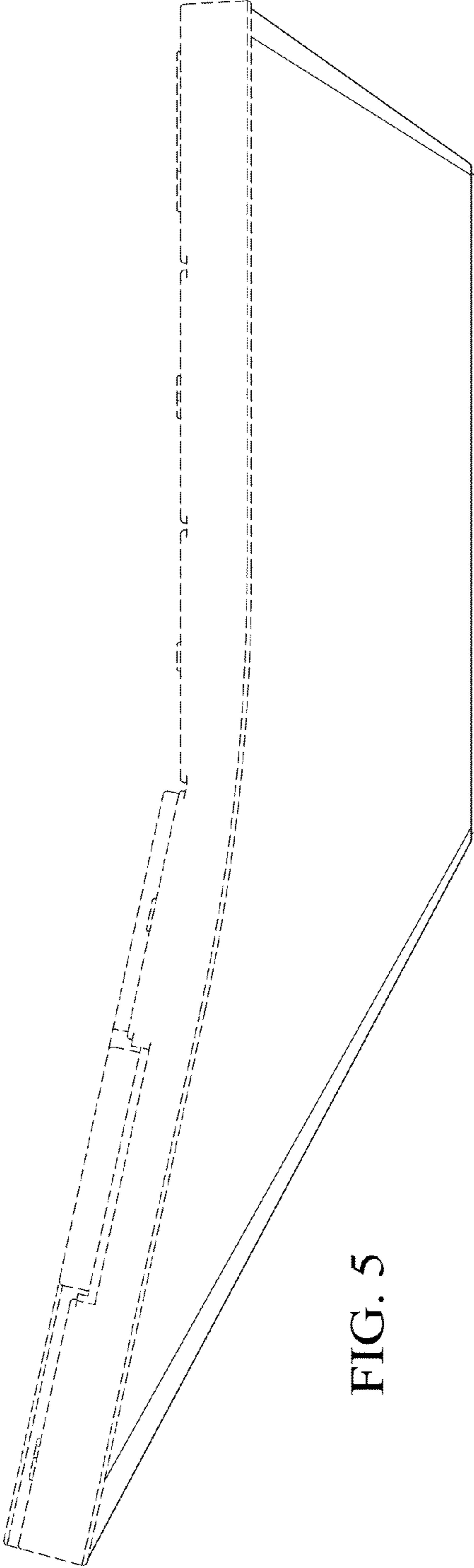


FIG. 5

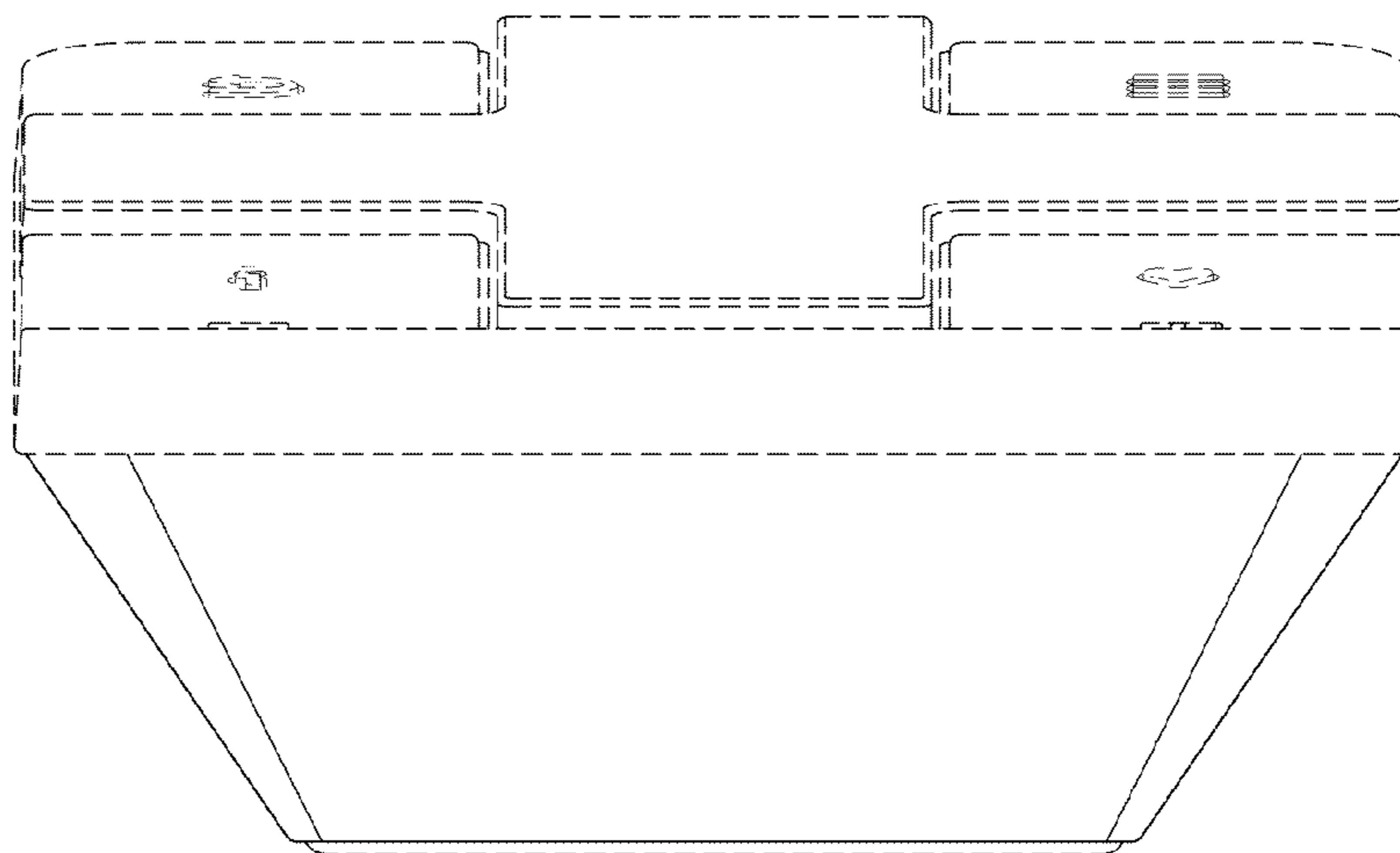


FIG. 6

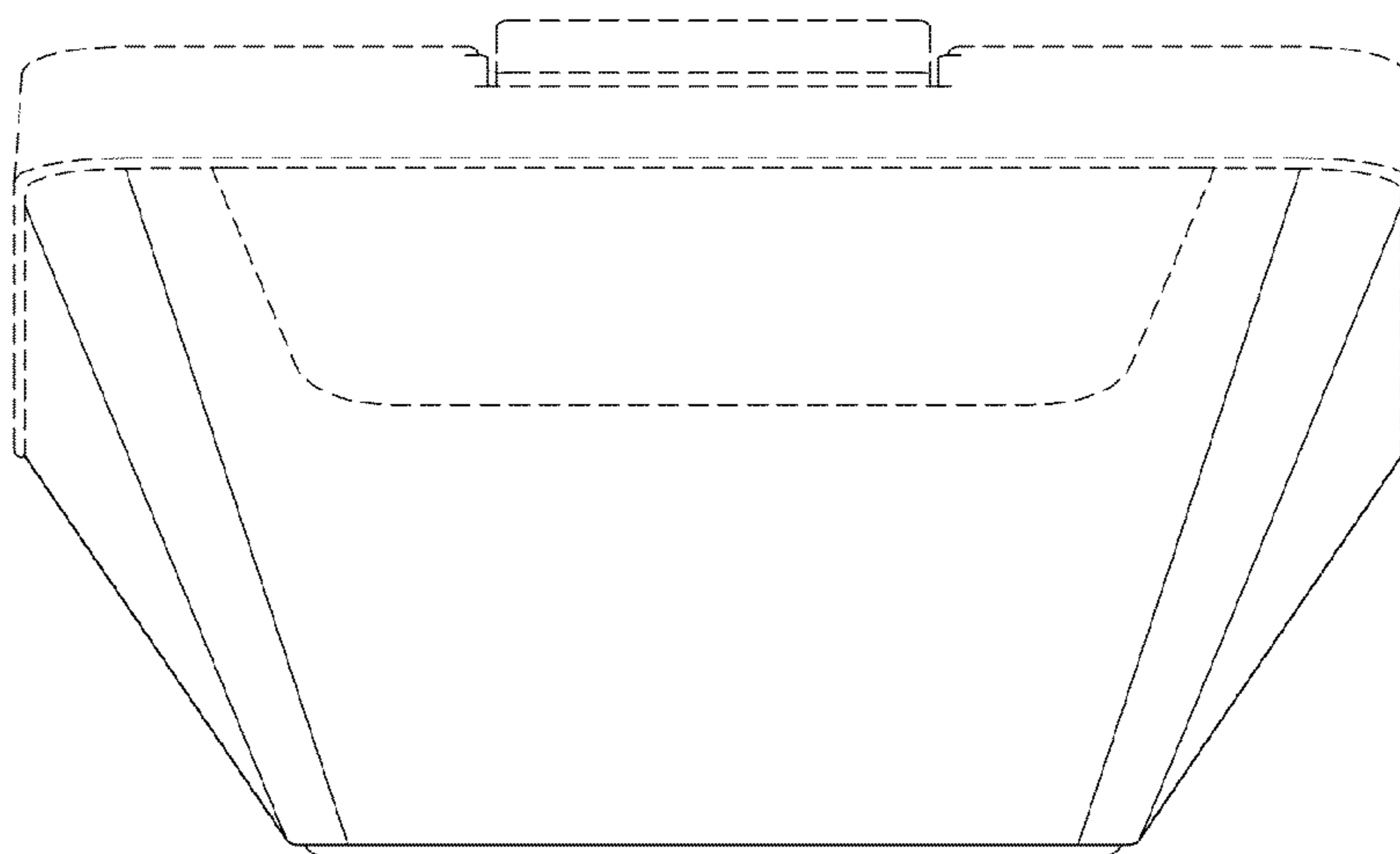


FIG. 7

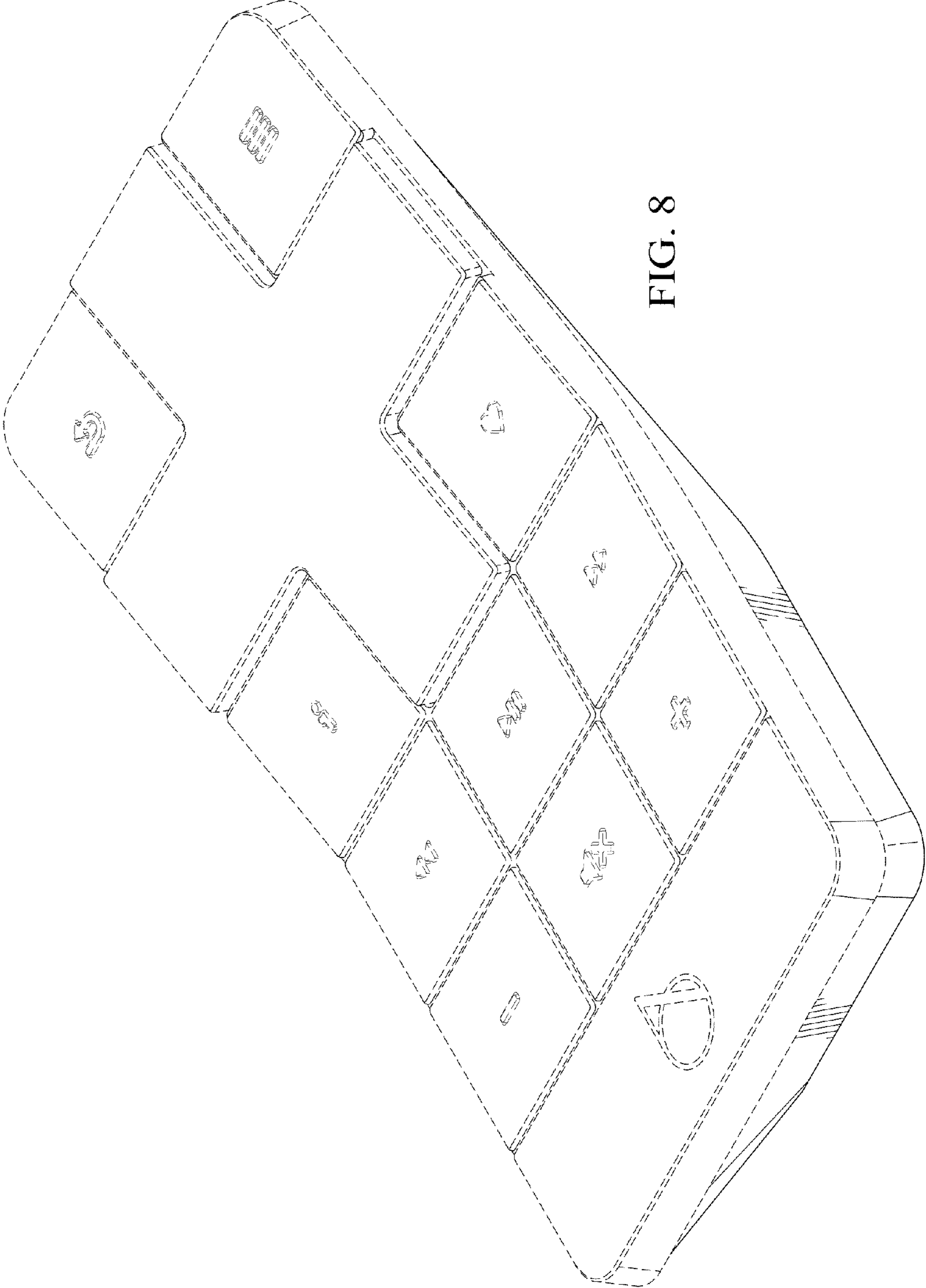


FIG. 8