



US00D739384S

(12) **United States Design Patent**
Won et al.

(10) **Patent No.:** **US D739,384 S**

(45) **Date of Patent:** **** Sep. 22, 2015**

(54) **REMOTE CONTROLLER**

(71) Applicant: **Samsung Electronics Co., Ltd.**,
Suwon-Si, Gyeonggi-Do (KR)

(72) Inventors: **Dong Hee Won**, Seoul (KR); **Kyubok Lee**, Seoul (KR); **Minhee Lee**, Seoul (KR)

(73) Assignee: **Samsung Electronics Co., Ltd.**,
Gyeonggi-do (KR)

(**) Term: **14 Years**

(21) Appl. No.: **29/460,360**

(22) Filed: **Jul. 10, 2013**

(30) **Foreign Application Priority Data**

Jan. 14, 2013 (KR) 30-2013-0002278

(51) **LOC (10) Cl.** **14-03**

(52) **U.S. Cl.**
USPC **D14/218**

(58) **Field of Classification Search**
USPC D14/218, 137-139, 174, 151, 191-193,
D14/299, 167, 168, 221; D13/168,
D13/162-164; D21/512-517, 566;
D10/104, 106; 455/352-355,
455/151.1-151.4, 128, 347, 90.3; 348/114,
348/734

See application file for complete search history.

(56) **References Cited**

U.S. PATENT DOCUMENTS

D614,607 S *	4/2010	Kamegi	D14/218
D619,972 S *	7/2010	Felegy et al.	D13/168
D621,372 S *	8/2010	Won et al.	D13/168
D628,988 S *	12/2010	Yu	D14/218
D647,883 S *	11/2011	Kim et al.	D14/218
D662,085 S *	6/2012	Yoshikawa et al.	D14/218
D671,920 S *	12/2012	Won et al.	D14/218
D672,753 S *	12/2012	Kadivar et al.	D14/218
D700,169 S *	2/2014	Peh	D14/218
D703,189 S *	4/2014	Won et al.	D14/218
D703,637 S *	4/2014	Kim et al.	D14/218
D704,166 S *	5/2014	Sung	D14/218
D711,355 S *	8/2014	Jin et al.	D14/218

* cited by examiner

Primary Examiner — John Windmuller

(74) *Attorney, Agent, or Firm* — Harness, Dickey & Pierce

(57) **CLAIM**

The ornamental design for a remote controller, as shown and described.

DESCRIPTION

FIG. 1 is the front/left-side/top perspective view of a remote controller showing our new design; FIG. 2 is the front elevational view thereof; FIG. 3 is the rear elevational view thereof; FIG. 4 is the left-side elevational view thereof; FIG. 5 is the right-side elevational view thereof; FIG. 6 is the top-side plan view thereof; and, FIG. 7 is the bottom-side plan view thereof. The broken lines shown in the drawings represent unclaimed portions.

1 Claim, 6 Drawing Sheets

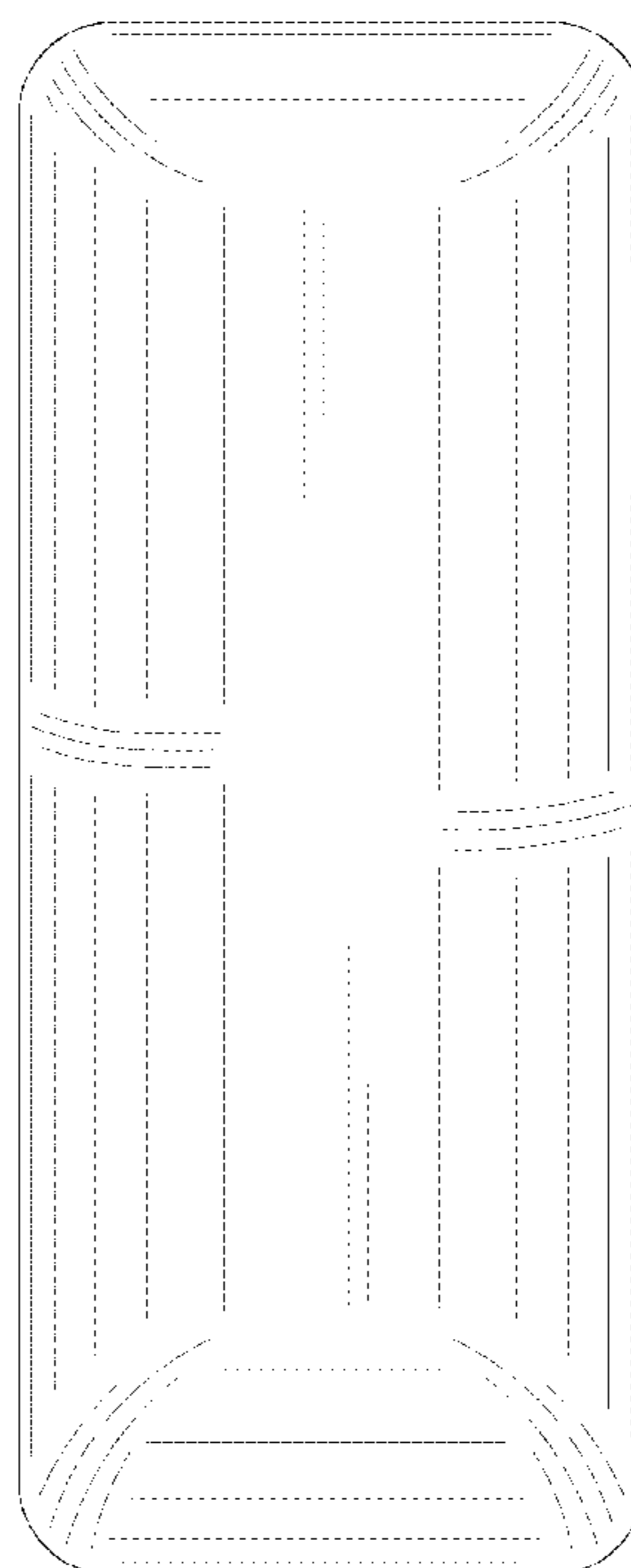
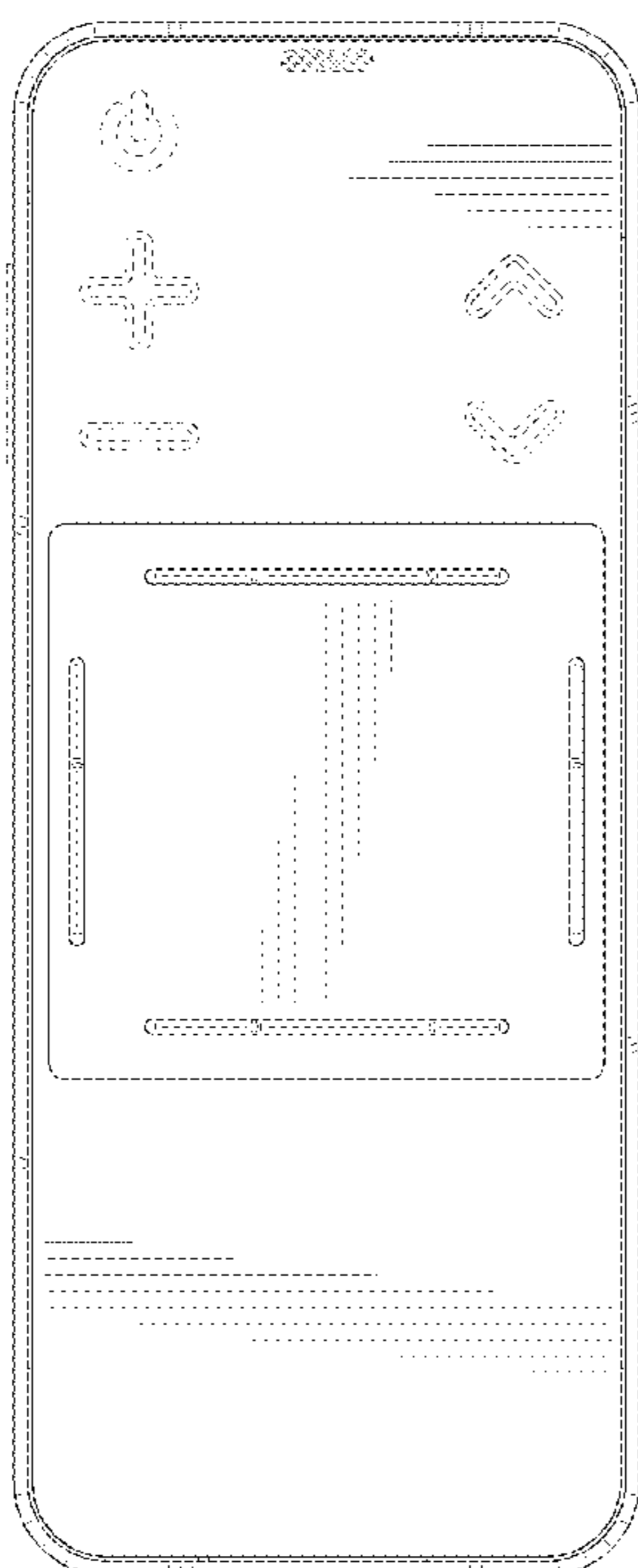


FIG. 1

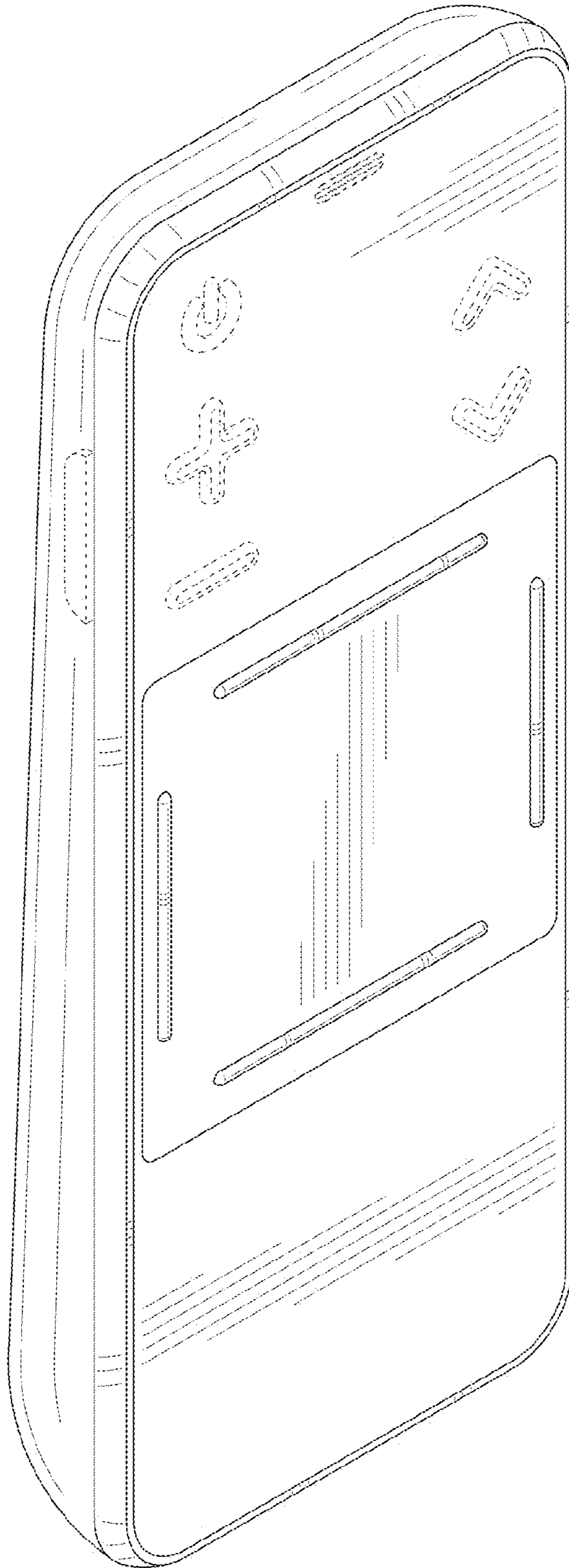


FIG. 2

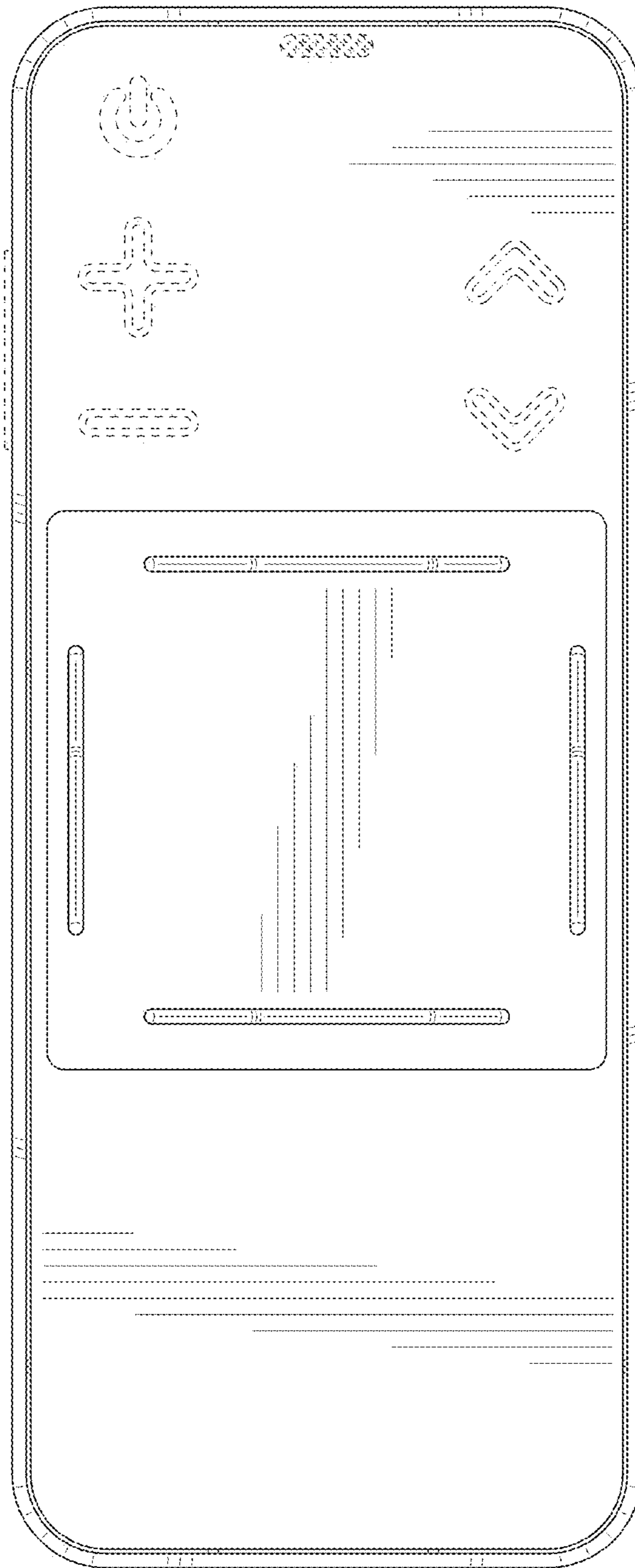


FIG. 3

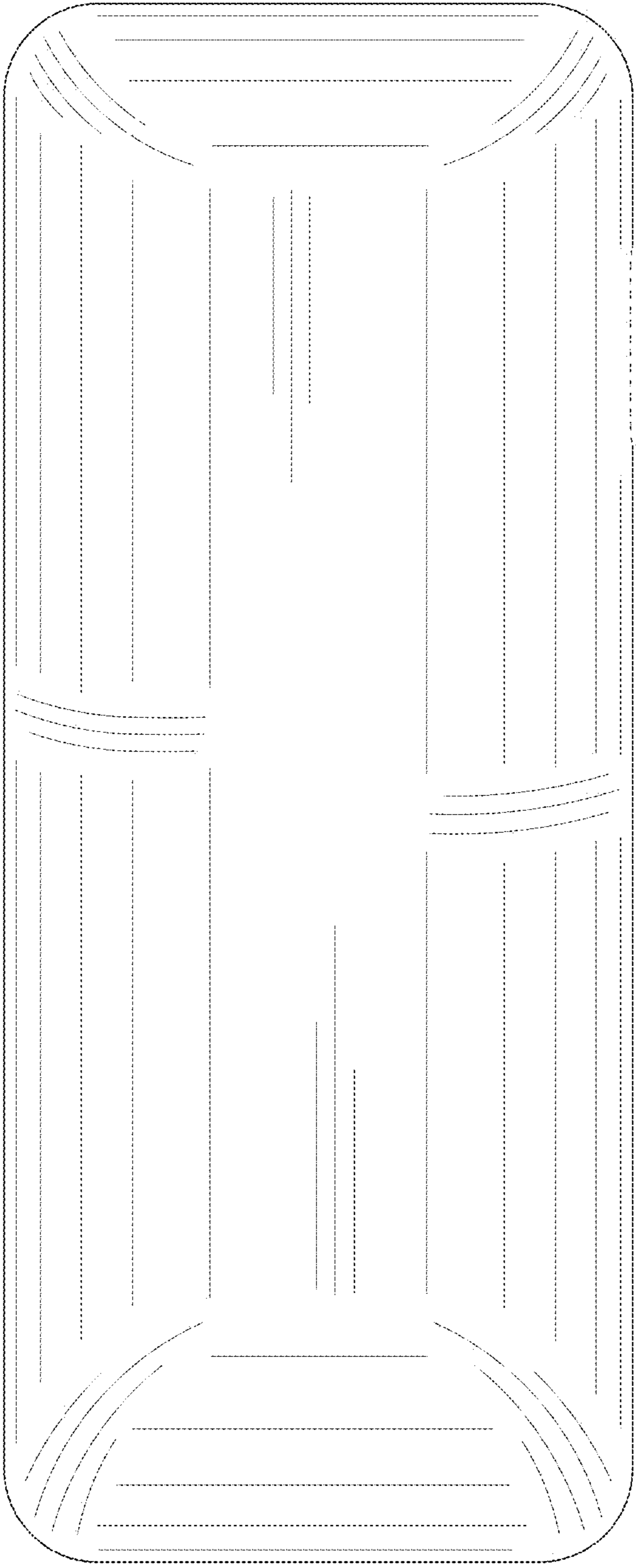


FIG. 4

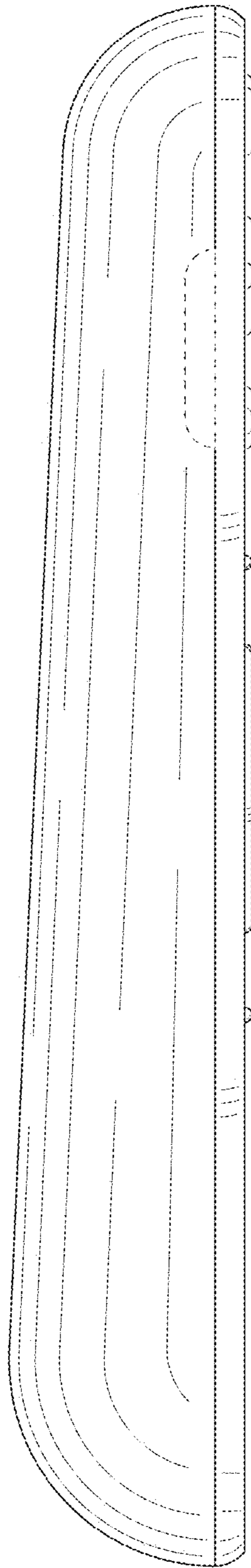


FIG. 5

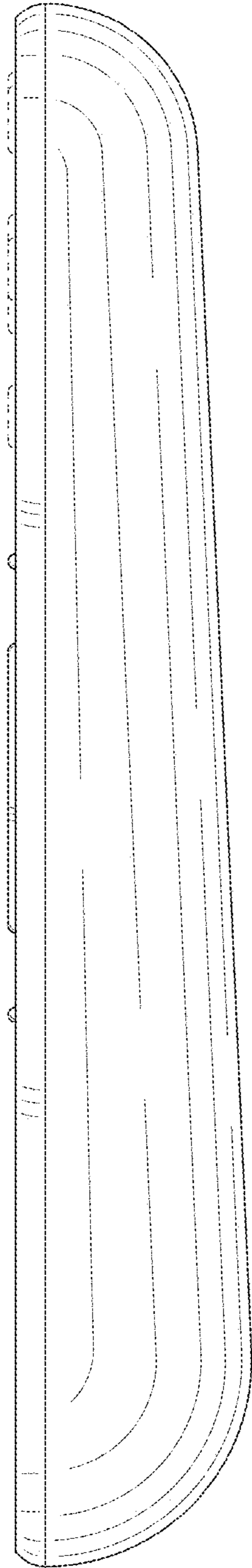


FIG. 6

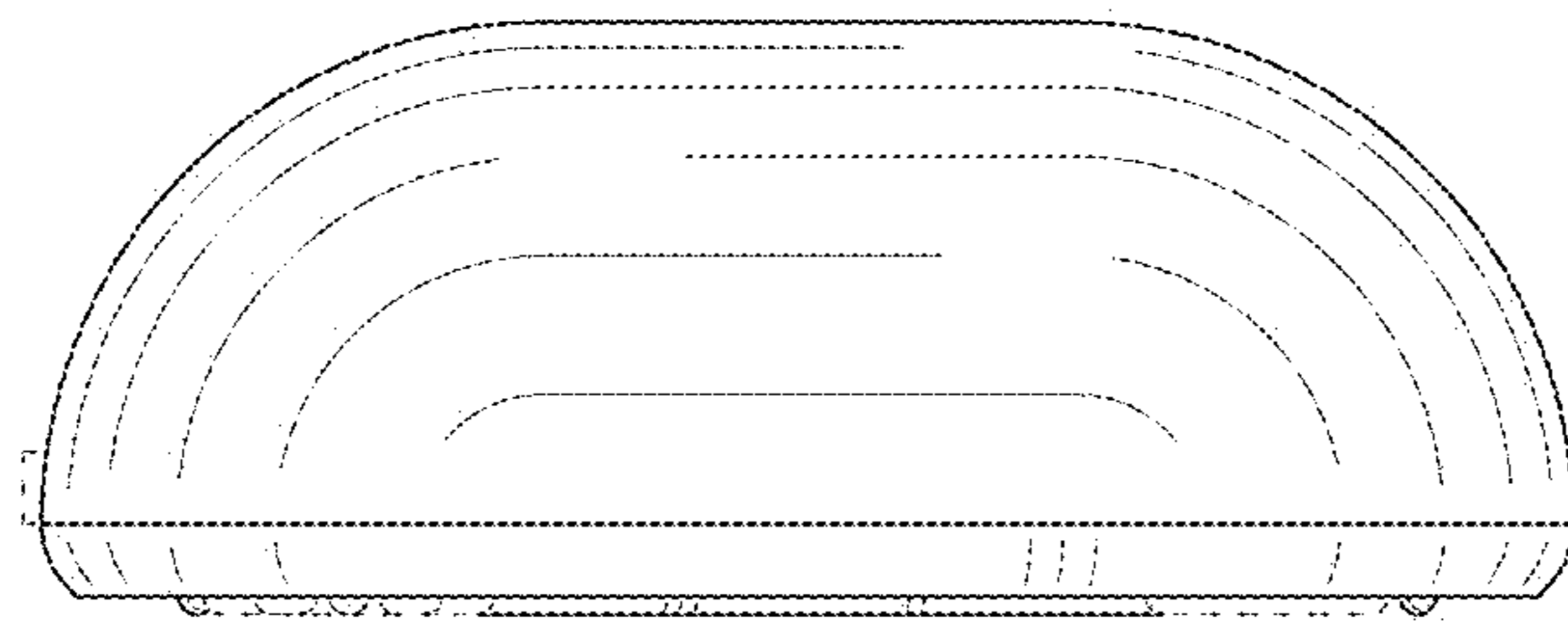


FIG. 7

