



US00D739381S

(12) **United States Design Patent**
Workman et al.

(10) **Patent No.:** **US D739,381 S**

(45) **Date of Patent:** **** Sep. 22, 2015**

(54) **SOLAR POWERED SPEAKER**

(71) Applicant: **Goal Zero LLC**, Bluffdale, UT (US)

(72) Inventors: **Robert E. Workman**, Morgan, UT (US);
Henry J. Howell, Herriman, UT (US);
Norman L. Krantz, Draper, UT (US);
Fred K. Lillywhite, Cottonwood Heights, UT (US)

(73) Assignee: **Goal Zero LLC**, Bluffdale, UT (US)

(**) Term: **14 Years**

(21) Appl. No.: **29/458,768**

(22) Filed: **Jun. 21, 2013**

(51) **LOC (10) Cl.** **14-03**

(52) **U.S. Cl.**
USPC **D14/215**; D14/219

(58) **Field of Classification Search**
USPC D14/167, 168, 170-172, 188, 194-196,
D14/204, 207, 209.1, 210-216, 219, 221,
D14/222, 224, 496; 181/143, 144, 147, 148,
181/150, 153, 157, 198, 199; 381/300-303,
381/306, 332, 333, 336, 345, 361-364,
381/386-388; 369/6-12; D3/217, 218
See application file for complete search history.

(56) **References Cited**

U.S. PATENT DOCUMENTS

5,550,921 A 8/1996 Freadman
D423,772 S * 5/2000 Cooper et al. D3/218

(Continued)

FOREIGN PATENT DOCUMENTS

EP 0 886 457 12/1998
JP 2002-281576 9/2002
JP 2010-056970 3/2010

OTHER PUBLICATIONS

U.S. Appl. No. 14/447,437, filed Jul. 30, 2014, Goal Zero LLC.

(Continued)

Primary Examiner — Keli L Hill

(74) *Attorney, Agent, or Firm* — Foley & Lardner LLP

(57) **CLAIM**

We claim the ornamental design for a solar powered speaker, as shown and described.

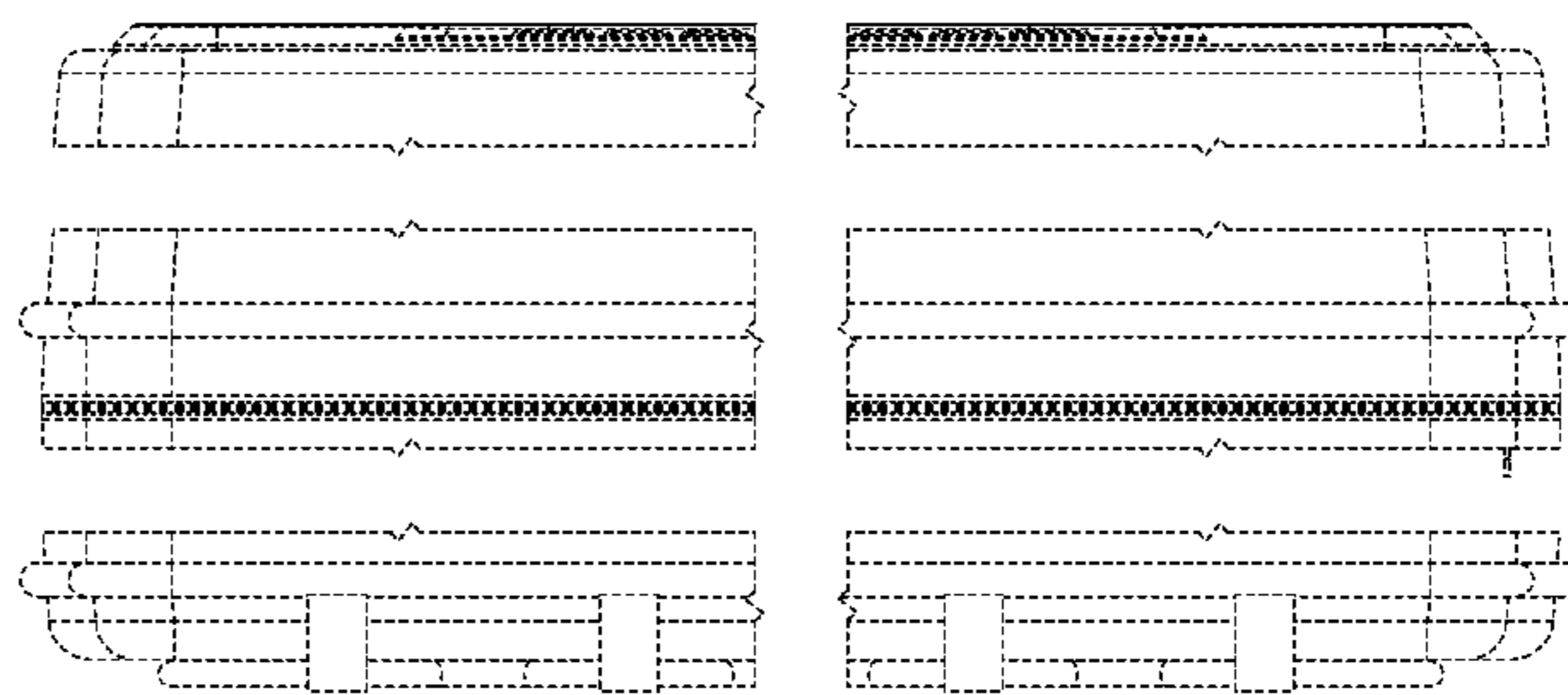
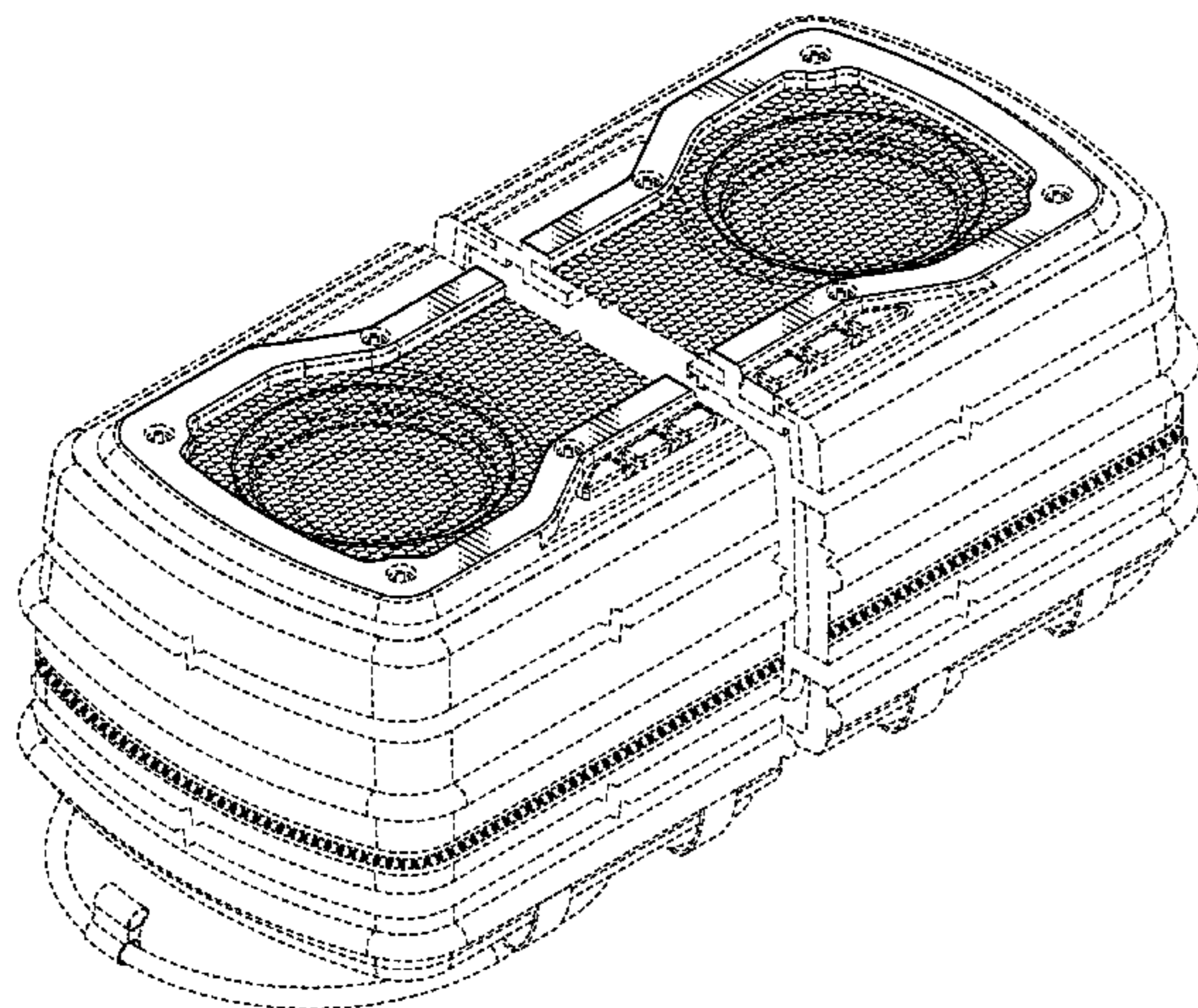
DESCRIPTION

FIG. 1 is a top, front perspective view of a solar powered speaker, showing our new design in a closed position; FIG. 2 is a bottom, rear perspective view thereof; FIG. 3 is a top view thereof; FIG. 4 is a bottom view thereof; FIG. 5 is a front view thereof; FIG. 6 is a rear view thereof; FIG. 7 is a right side view thereof; FIG. 8 is a left side view thereof; FIG. 9 is a top, front perspective view thereof, shown in an open position; FIG. 10 is a bottom, rear perspective view of FIG. 9; FIG. 11 is a top view of FIG. 9; FIG. 12 is a bottom view of FIG. 9; FIG. 13 is a front view of FIG. 9; FIG. 14 is a rear view of FIG. 9; FIG. 15 is a right side view of FIG. 9; and, FIG. 16 is a left side view of FIG. 9.

The unequal length (i.e. dash-dot) broken lines represent the bounds of the claimed design while all other broken lines are included for the purpose of illustrating portions of the solar powered speaker; the broken lines form no part of the claimed design.

The solar powered speaker is shown with symbolic breaks in its length and width in all drawing views. It is understood that patentability is based only on those portions of the article that are shown in solid lines, and the appearance of any portion of the article between the break lines forms no part of the claimed design.

1 Claim, 13 Drawing Sheets



(56)

References Cited

U.S. PATENT DOCUMENTS

D465,211 S * 11/2002 Lawrence D14/214
 D492,278 S * 6/2004 Tsuchiya D14/188
 6,925,188 B1 8/2005 Markow et al.
 7,184,259 B2 2/2007 Marler et al.
 D558,973 S * 1/2008 Hussaini et al. D3/201
 D563,390 S * 3/2008 Vafiadis D14/215
 D563,431 S * 3/2008 Entner D14/496
 D566,130 S * 4/2008 Entner D14/496
 D568,872 S * 5/2008 Gonzalez D14/214
 D569,845 S * 5/2008 Ragde et al. D14/214
 D569,846 S * 5/2008 Ragde et al. D14/214
 D570,593 S * 6/2008 Justiss D3/201
 D572,235 S * 7/2008 Imawaki D14/207
 D573,136 S * 7/2008 Lee et al. D14/217
 D584,287 S * 1/2009 Pauschitz et al. D14/214
 D585,427 S * 1/2009 Lee et al. D14/217
 D593,747 S * 6/2009 Lissola et al. D3/218
 D594,848 S * 6/2009 Imawaki D14/215
 D608,343 S 1/2010 Skurdal

D609,696 S * 2/2010 Martinez et al. D14/209.1
 D619,118 S * 7/2010 Joseph D14/209.1
 D620,920 S * 8/2010 Joseph D14/209.1
 D624,304 S * 9/2010 Danze et al. D3/201
 D653,651 S * 2/2012 Ragde et al. D14/214
 8,180,095 B2 5/2012 Zhang
 8,238,595 B2 8/2012 Horowitz et al.
 D670,911 S * 11/2012 Bollinger et al. D3/301
 D691,584 S * 10/2013 Nussbaum et al. D14/207
 D707,218 S * 6/2014 YoonYoung D14/250
 2001/0031061 A1 10/2001 Coombs et al.
 2007/0030992 A1 2/2007 Rauen
 2012/0087536 A1 4/2012 Miyata et al.
 2012/0114148 A1 5/2012 Goh Kong San et al.

OTHER PUBLICATIONS

Goal Zero Rock Out Speaker, product images from TigerDirect.com
 (www.tigerdirect.com/applications/SearchTools/item-details.
 asp?EdpNo=8021895&CatId=8307), product available as of Jun.
 2010, 9 pages.

* cited by examiner

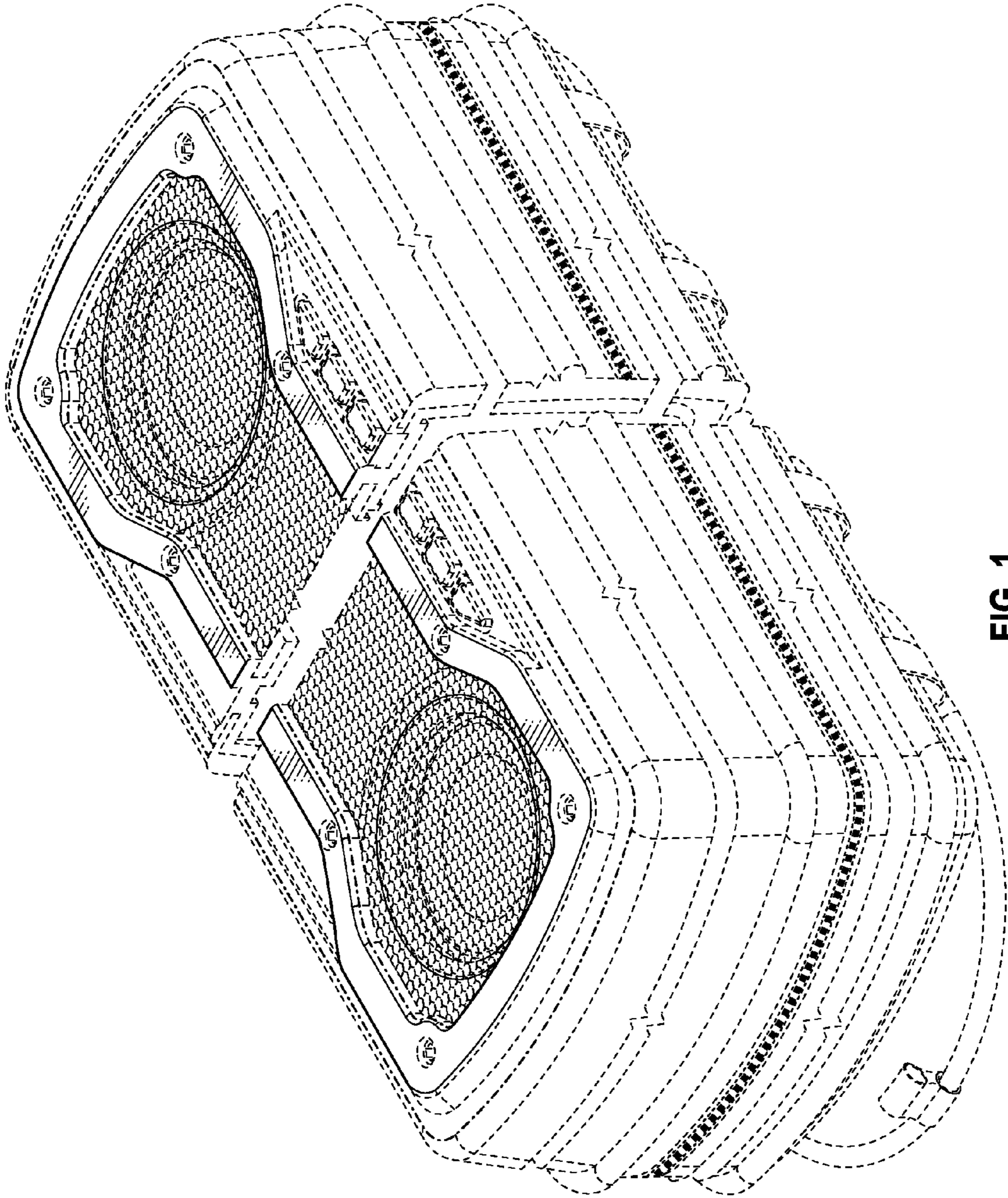


FIG. 1

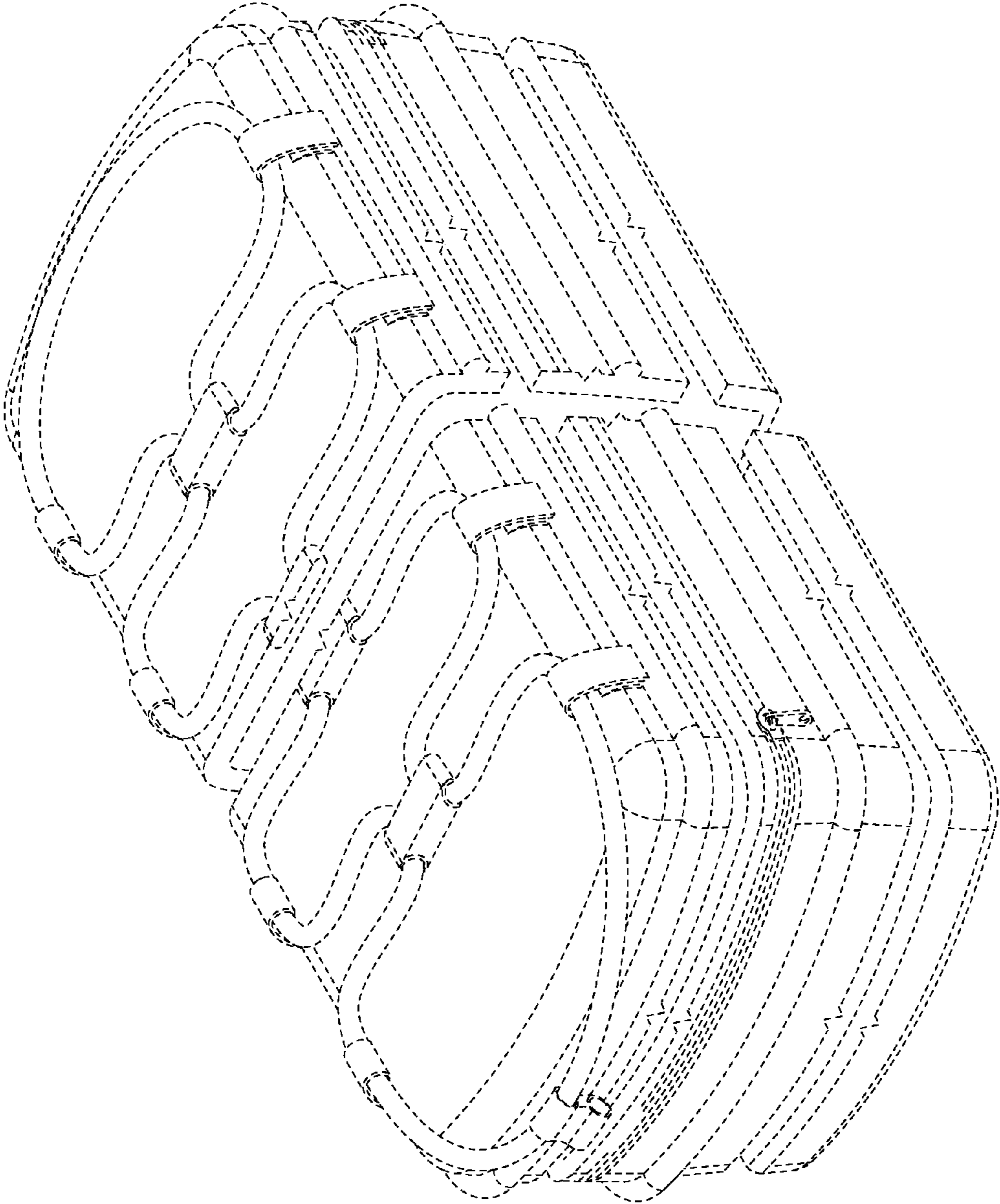


FIG. 2

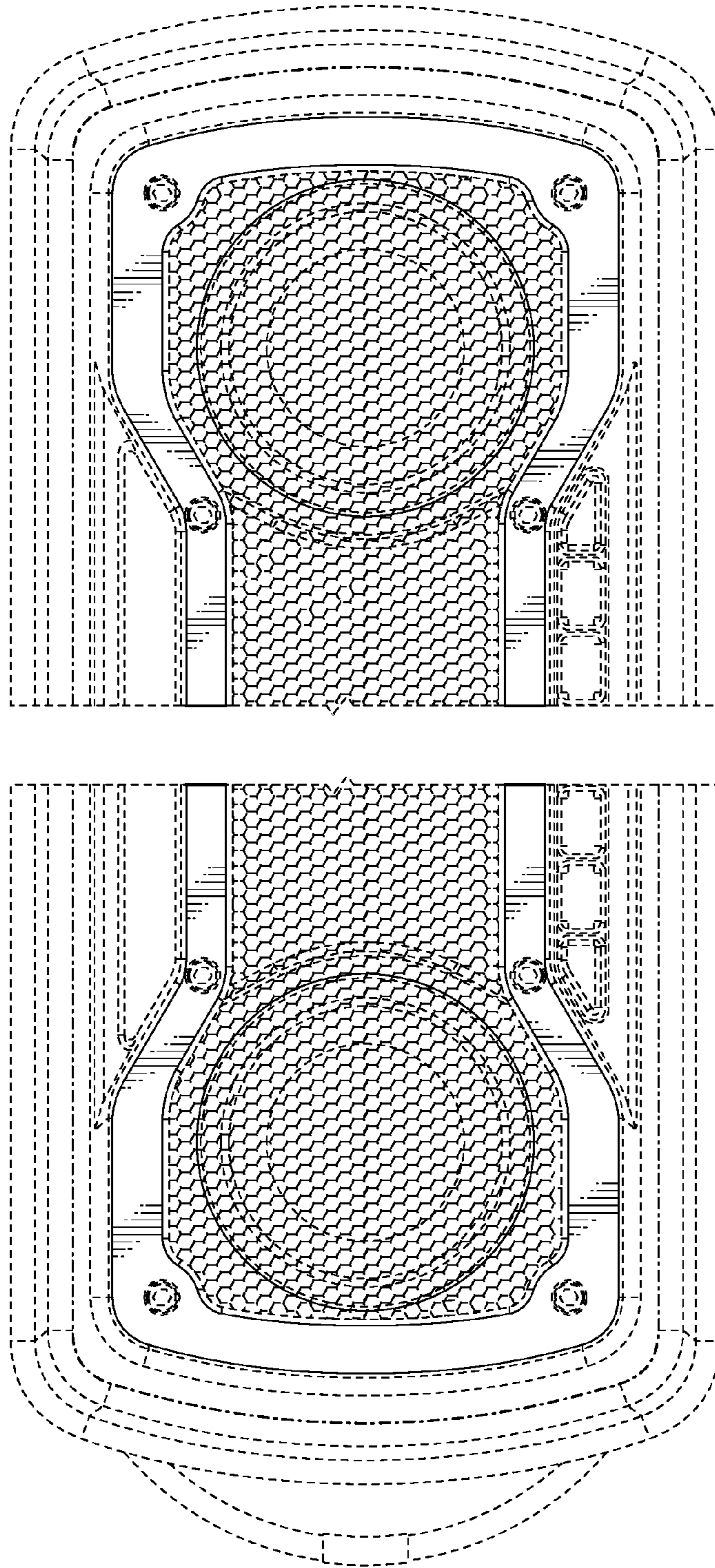


FIG. 3

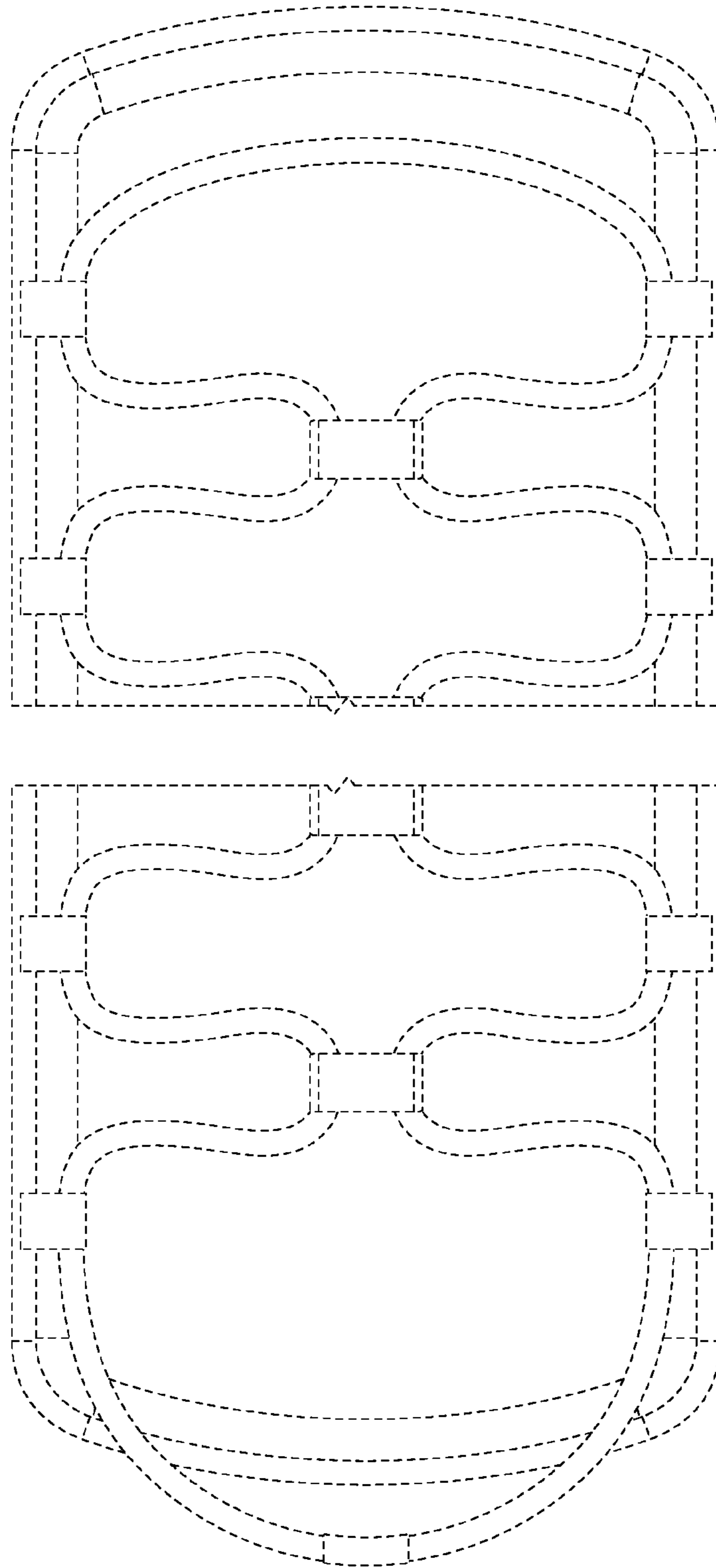


FIG. 4

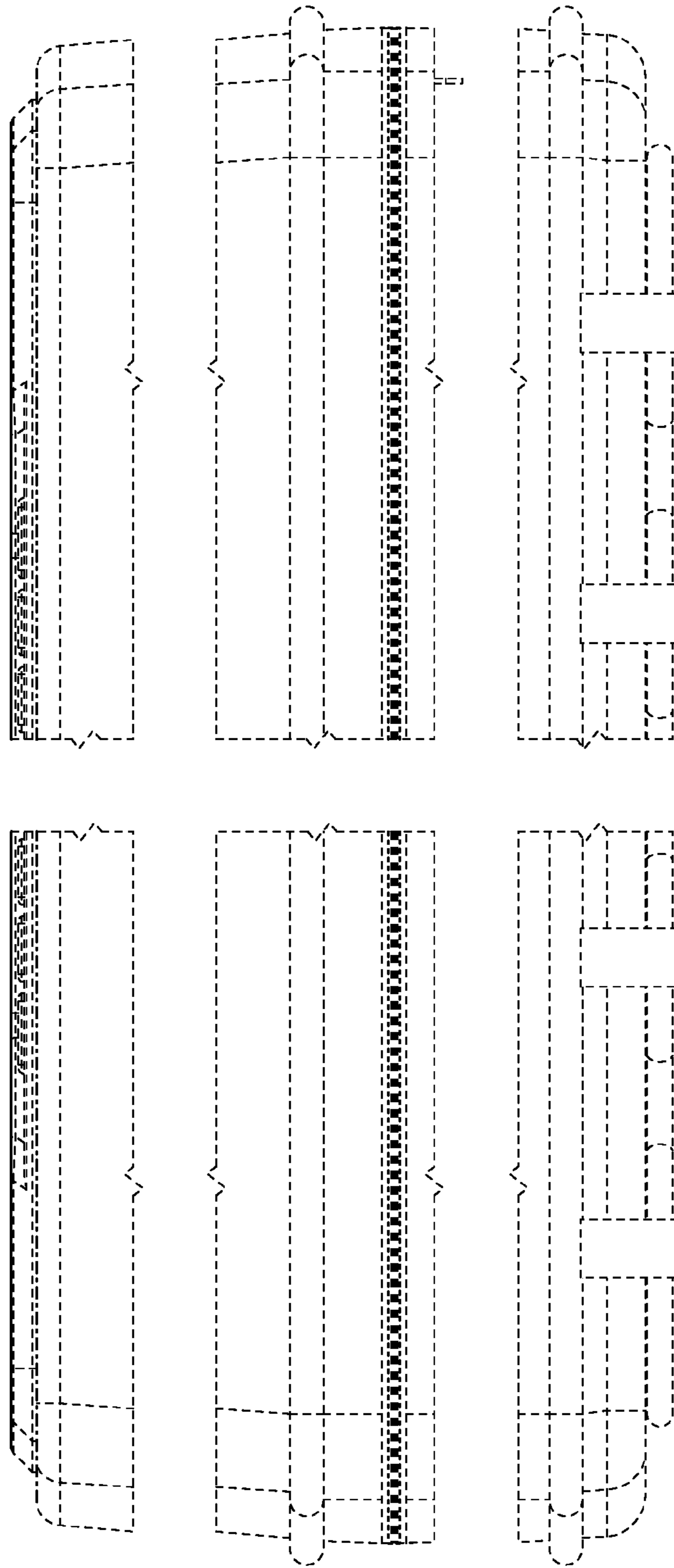


FIG. 5

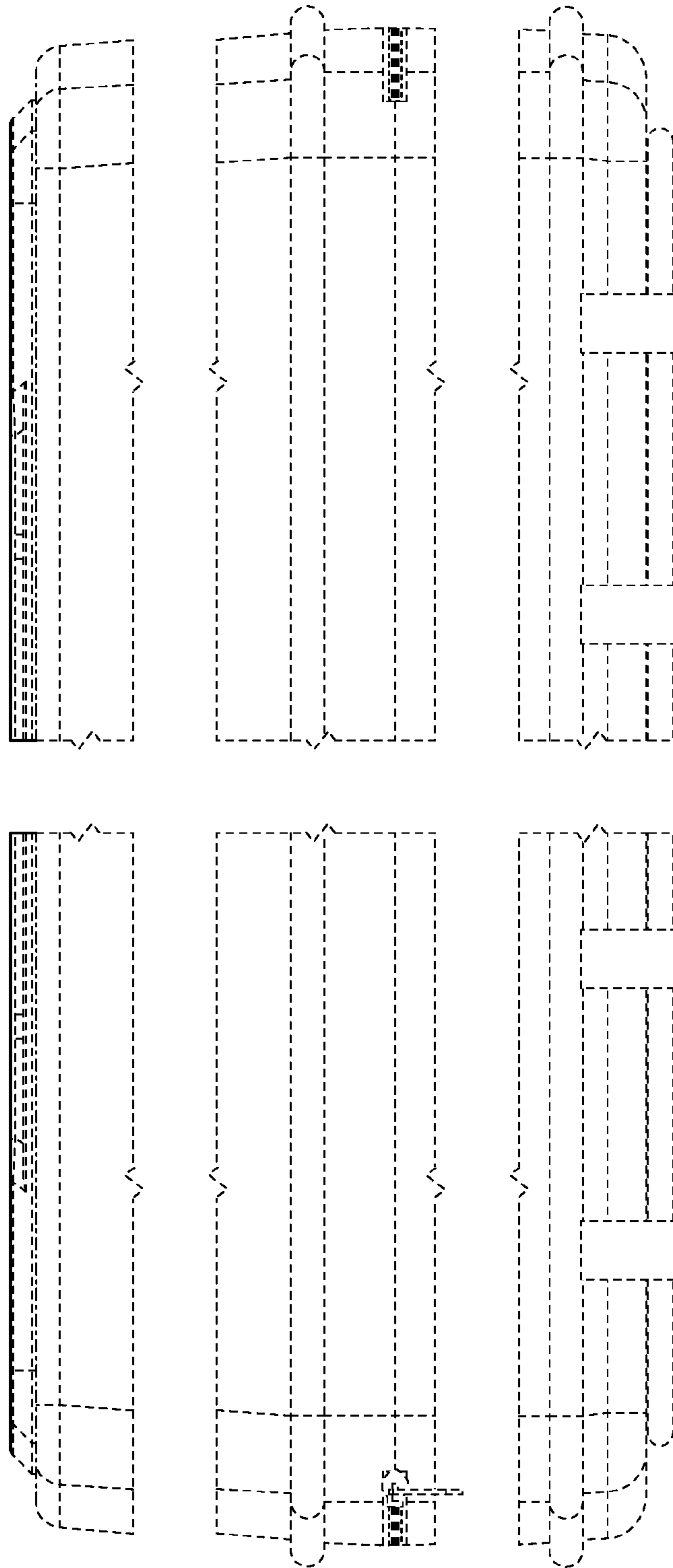


FIG. 6

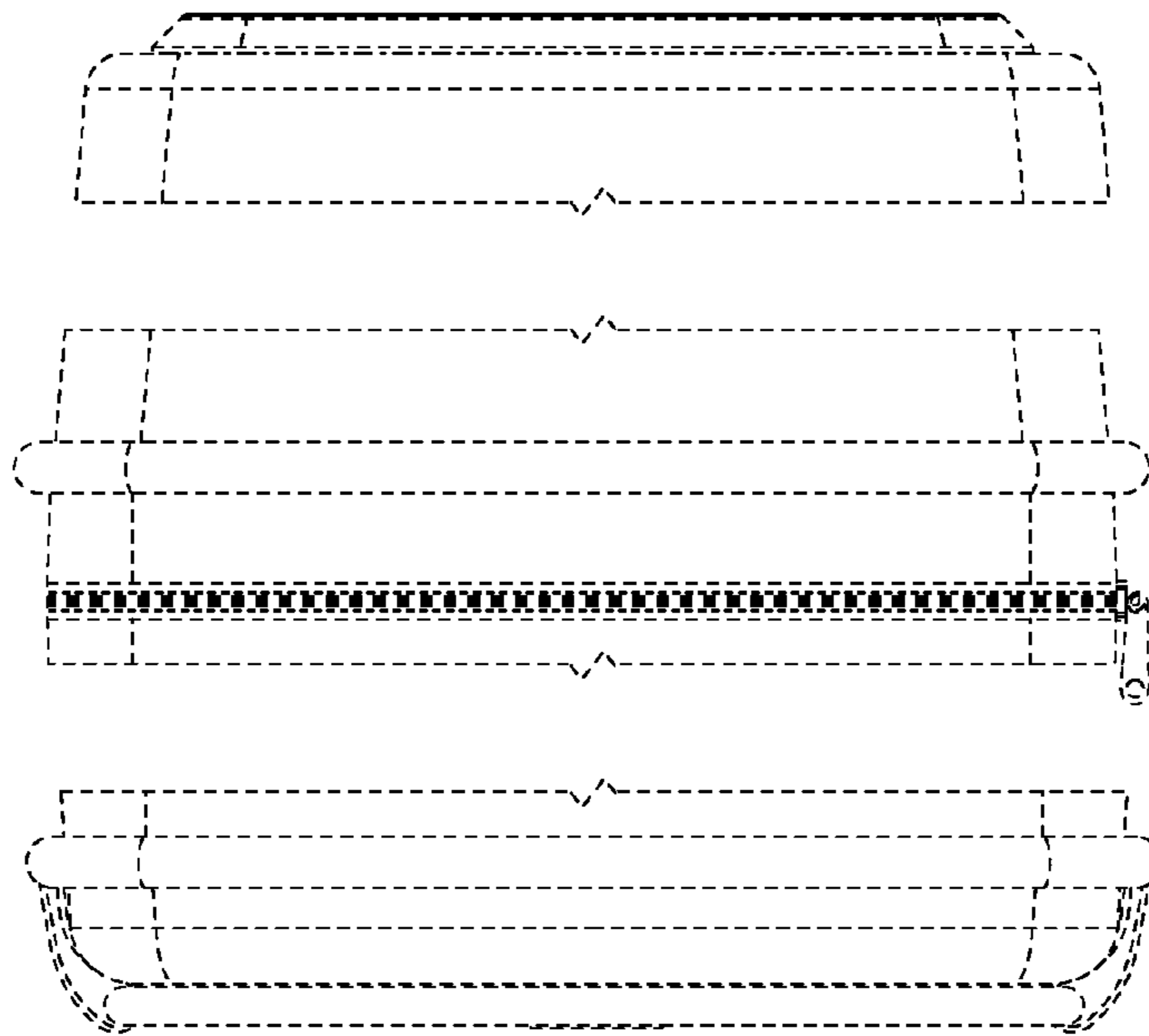


FIG. 7

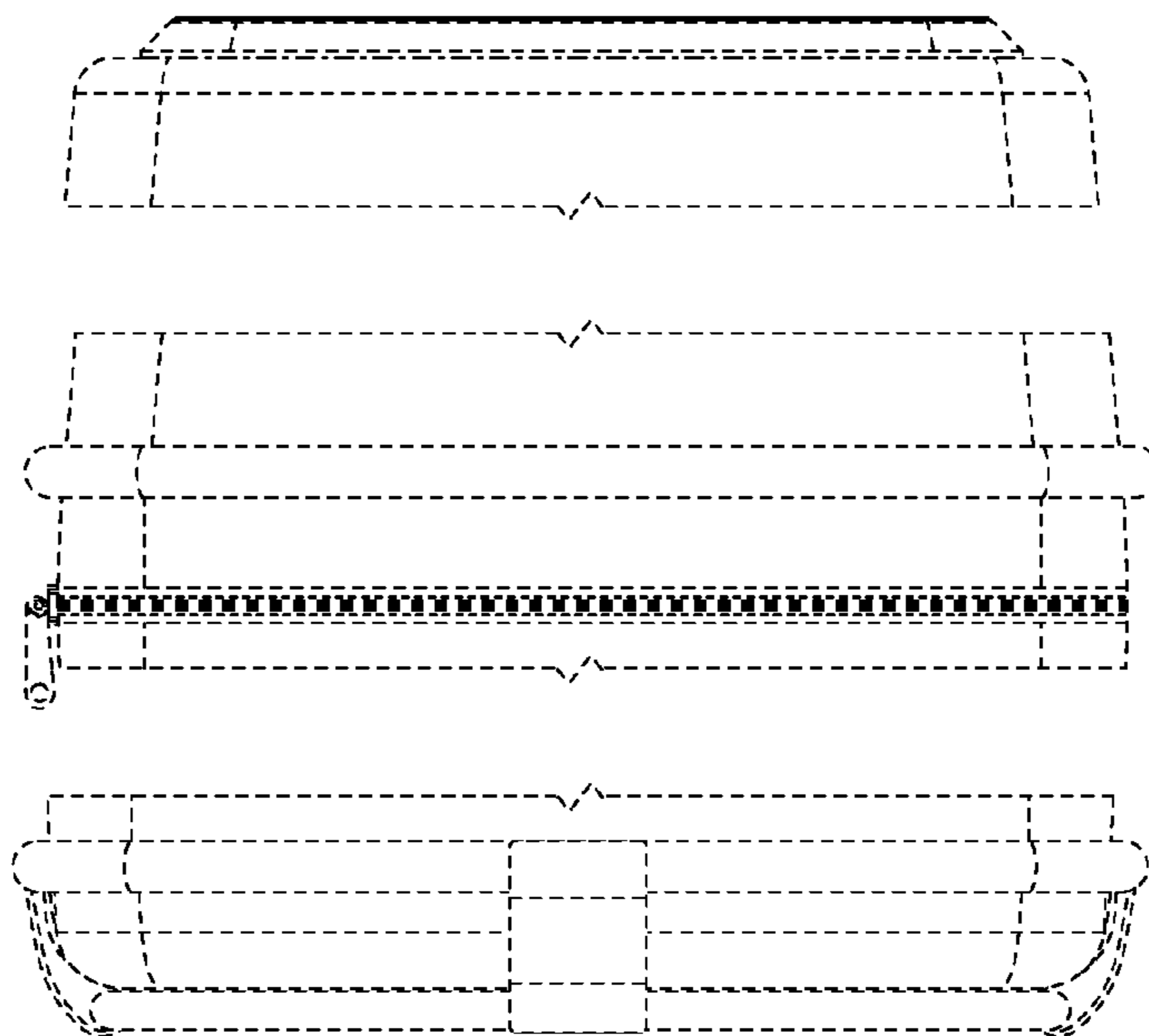


FIG. 8

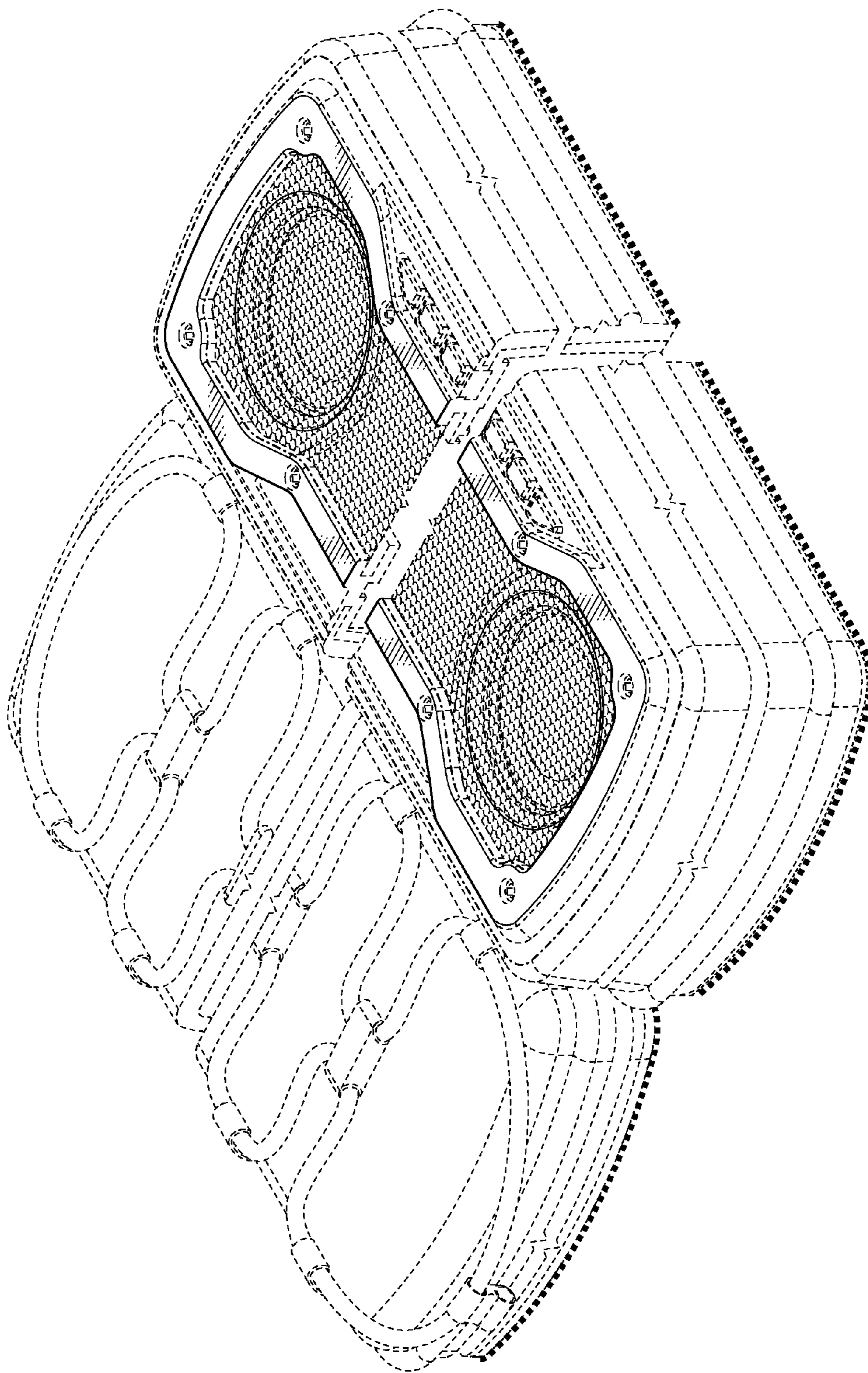


FIG. 9

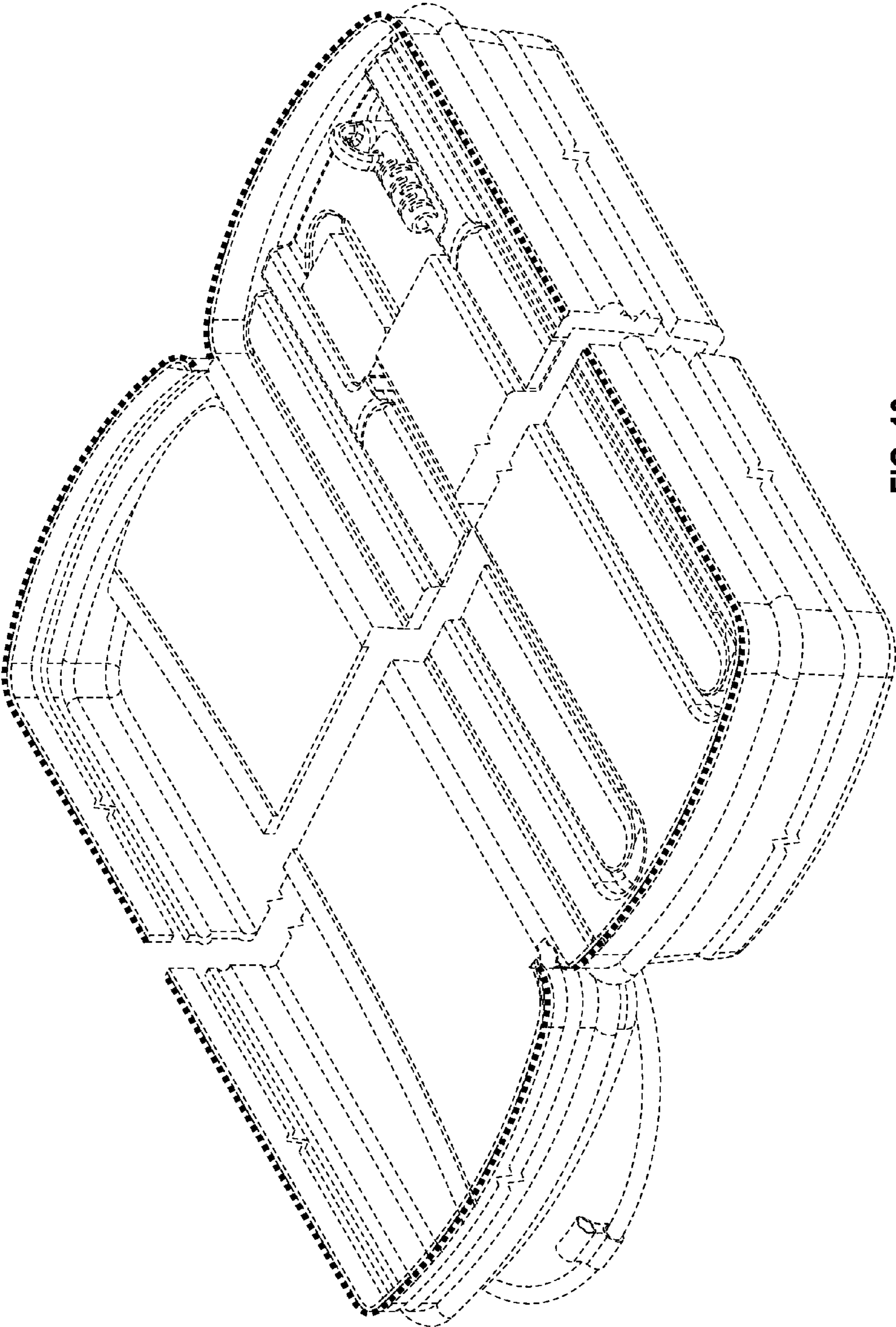


FIG. 10

FIG. 11

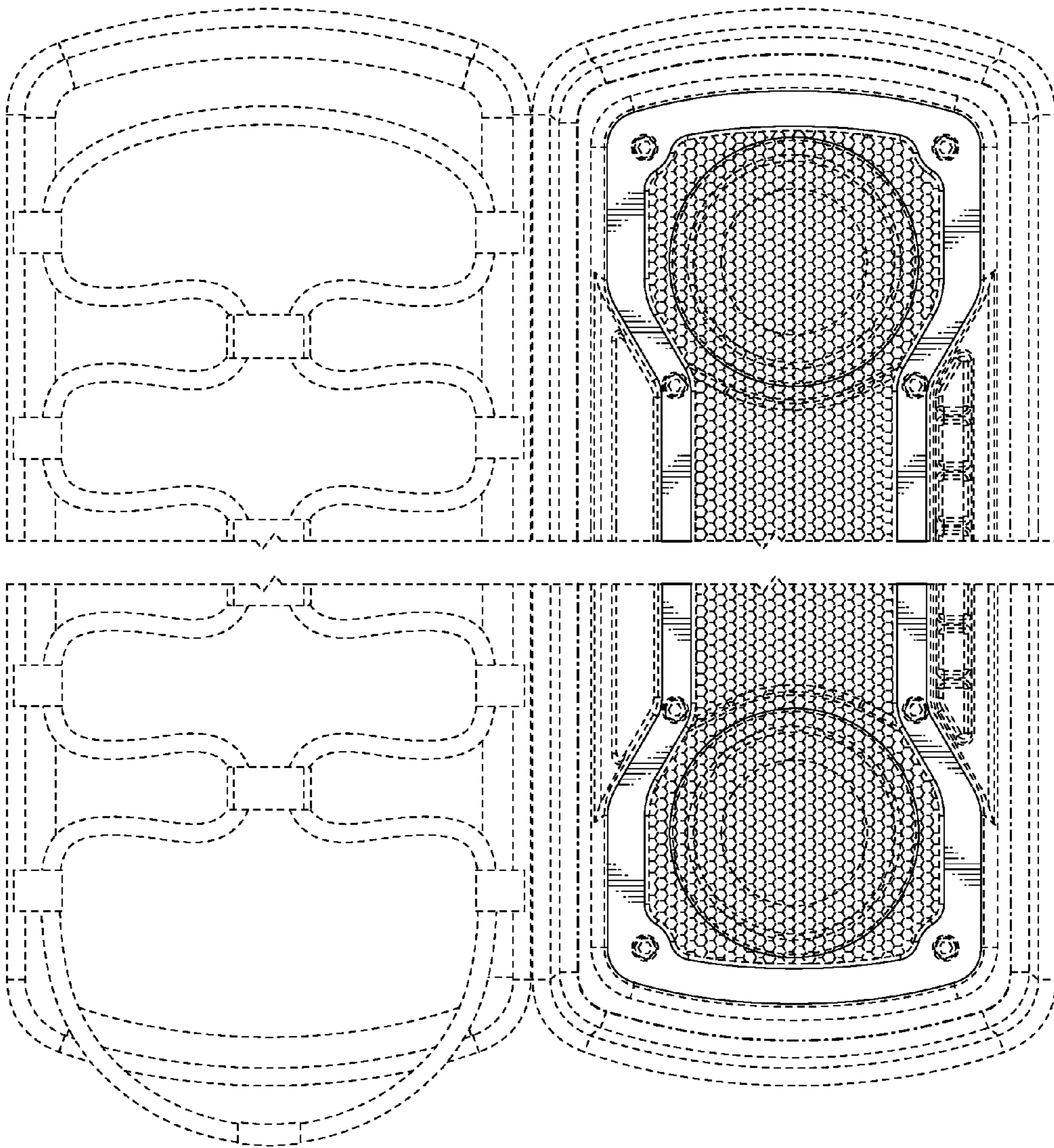
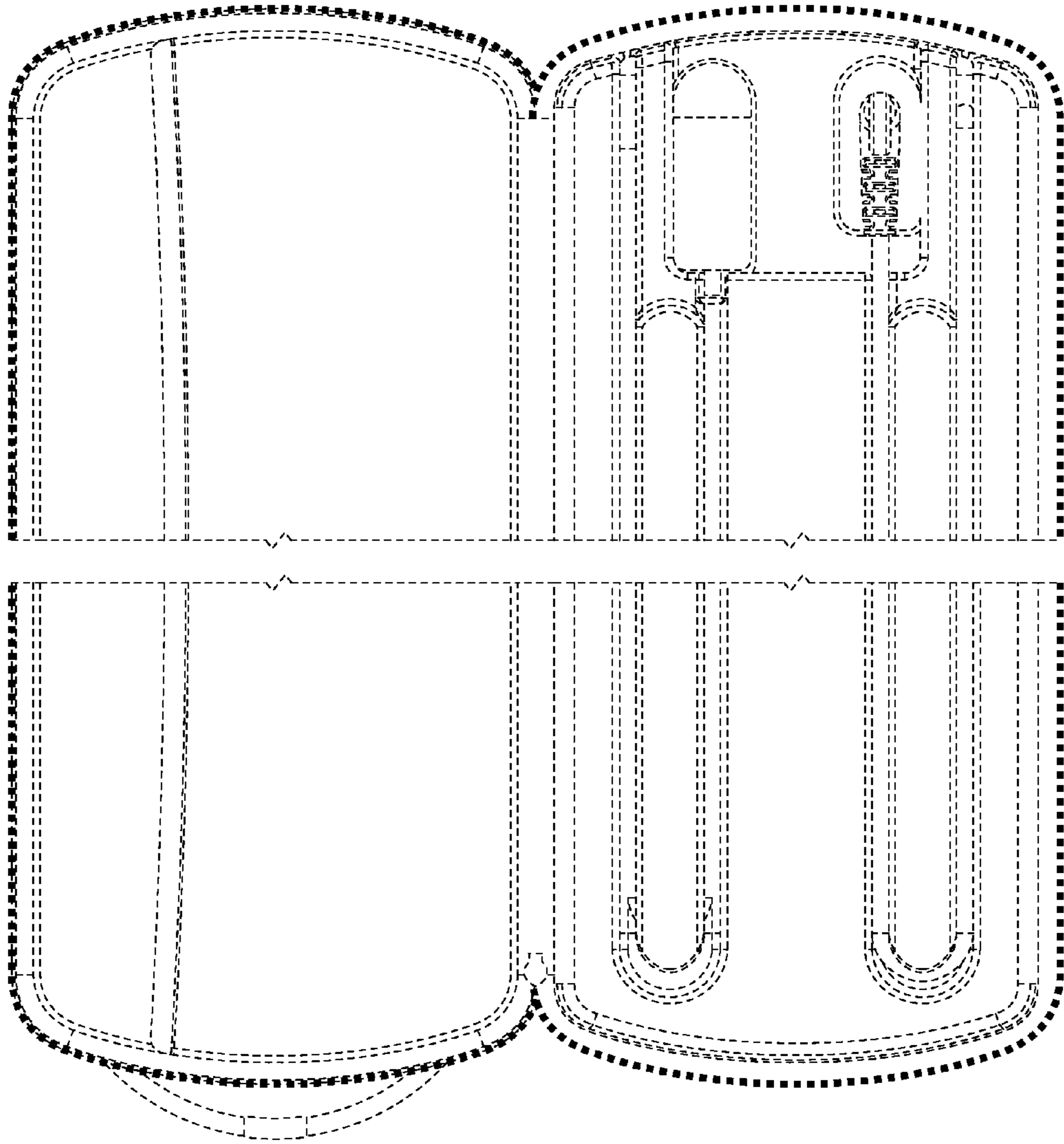


FIG. 12



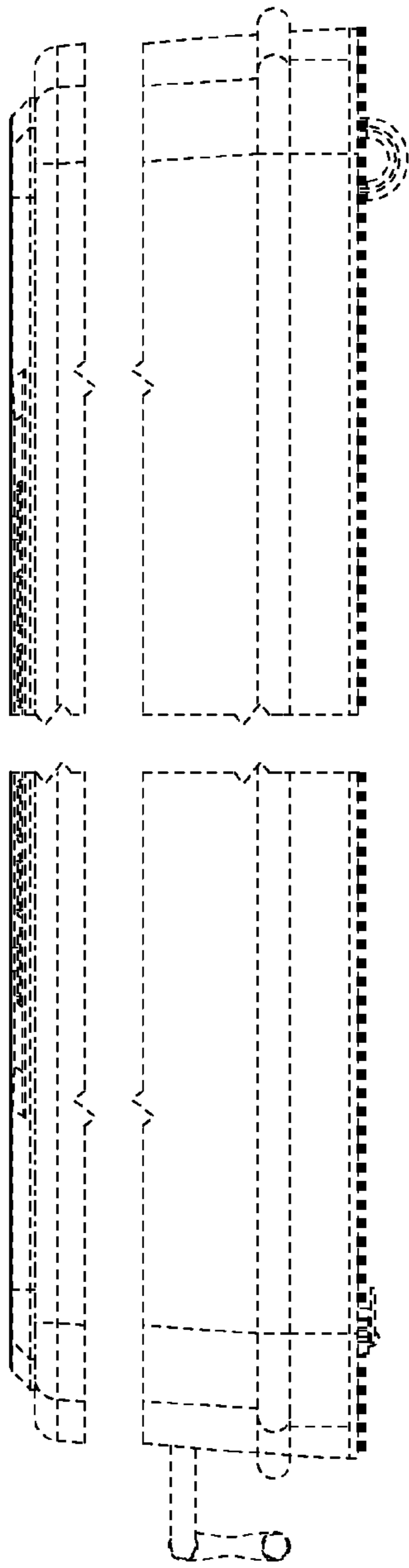


FIG. 13

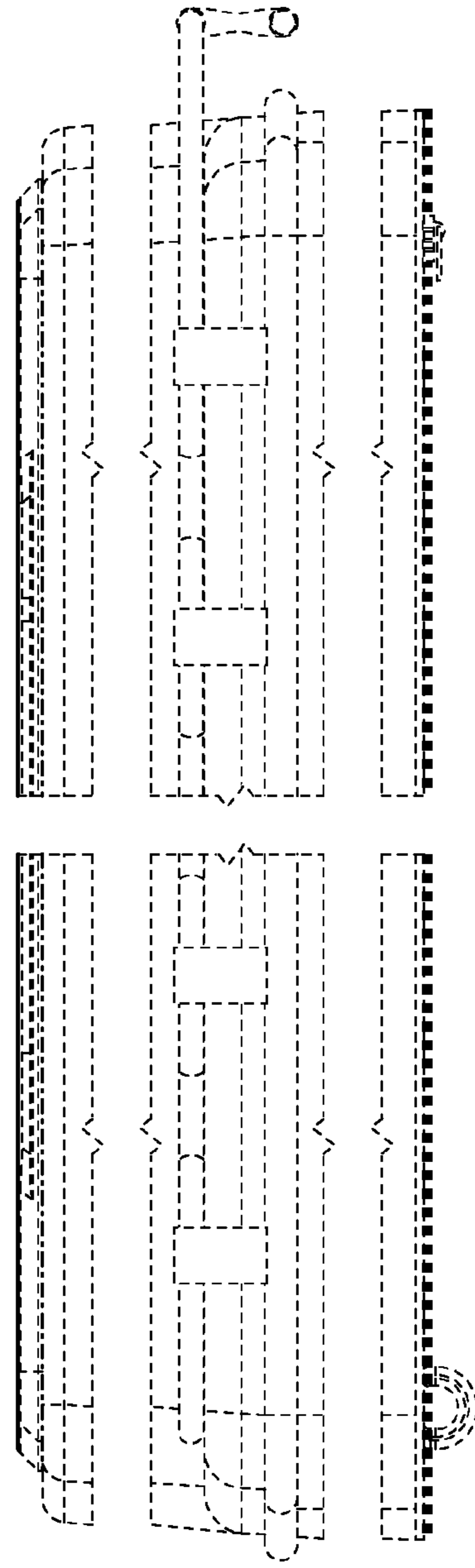


FIG. 14

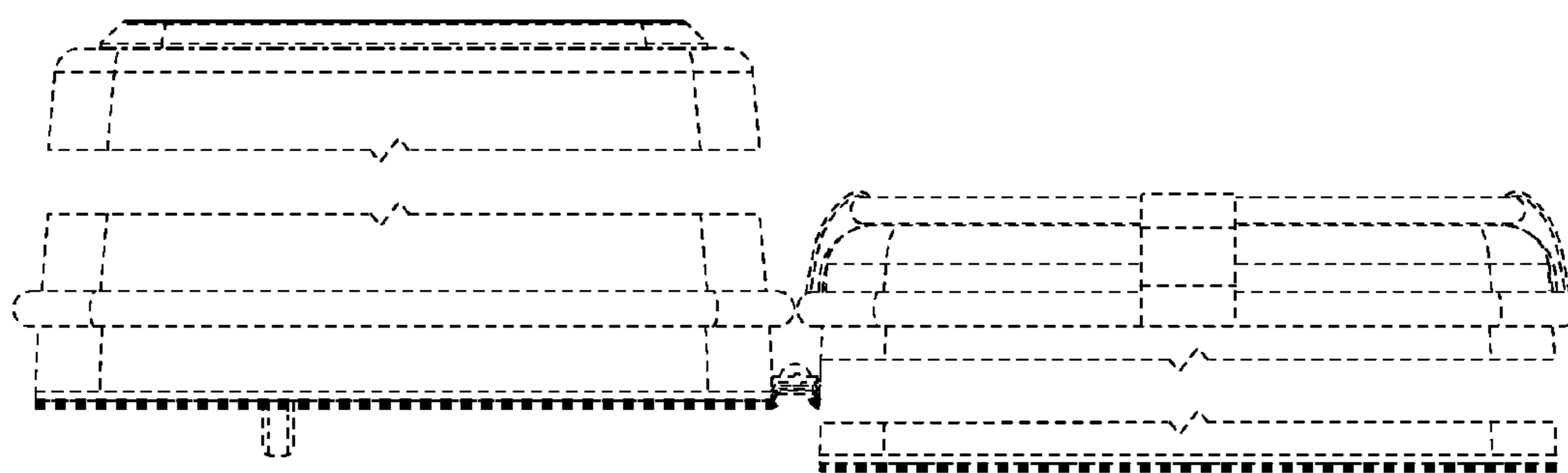


FIG. 15

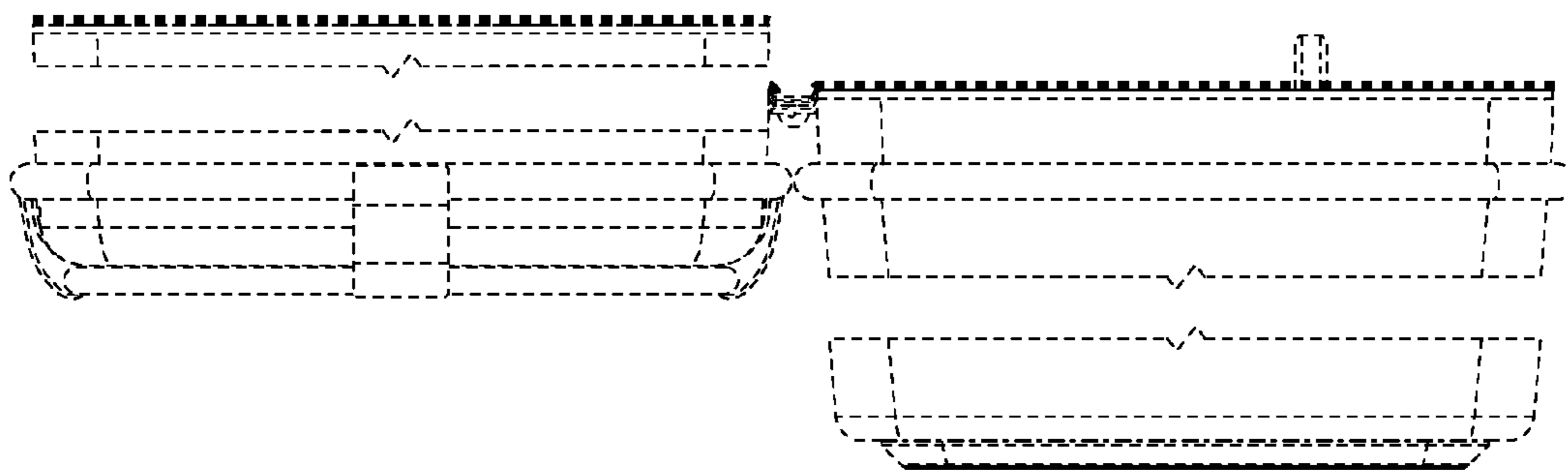


FIG. 16