



US00D739378S

(12) **United States Design Patent**  
**Chung et al.**

(10) **Patent No.:** **US D739,378 S**

(45) **Date of Patent:** **\*\* Sep. 22, 2015**

(54) **HEADPHONE**

(71) Applicant: **Samsung Electronics Co., Ltd.**,  
Suwon-si, Gyeonggi-do (KR)

(72) Inventors: **In-Sik Chung**, Seoul (KR); **Jeremy David Baker**, San Francisco, CA (US);  
**Yong-Seok Bang**, Yongin-si (KR);  
**Howard Nuk**, San Francisco, CA (US);  
**Won-Seok Choi**, Seoul (KR); **Alex Millie**, San Francisco, CA (US);  
**Seung-Min Park**, Seoul (KR); **Ha-Youl Jung**, Seoul (KR)

(73) Assignee: **SAMSUNG ELECTRONICS CO., LTD.** (KR)

(\*\*) Term: **14 Years**

(21) Appl. No.: **29/498,744**

(22) Filed: **Aug. 7, 2014**

(30) **Foreign Application Priority Data**

Feb. 21, 2014 (KR) ..... 30-2014-0008920

(51) **LOC (10) Cl.** ..... **14-01**

(52) **U.S. Cl.**  
USPC ..... **D14/205**

(58) **Field of Classification Search**  
USPC ..... D14/205, 223; D29/112; 2/209;  
181/129, 130, 135; 379/430, 431;  
381/374, 383, 380, 381; 455/90.3,  
455/575.1

CPC ..... H04R 1/1066  
See application file for complete search history.

(56) **References Cited**

**U.S. PATENT DOCUMENTS**

4,821,318 A \* 4/1989 Wu ..... 379/430  
6,654,966 B2 \* 12/2003 Rolla ..... 2/209  
7,072,483 B2 \* 7/2006 Lenhard-Backhaus ..... 381/383  
D552,077 S \* 10/2007 Brunner et al. .... D14/205

D625,705 S \* 10/2010 Otori et al. .... D14/205  
D632,668 S \* 2/2011 Brunner et al. .... D14/205  
D656,480 S \* 3/2012 McManigal et al. .... D14/205  
D657,344 S \* 4/2012 Brunner et al. .... D14/205  
D673,136 S \* 12/2012 Kelly et al. .... D14/205  
D673,518 S \* 1/2013 Tan ..... D14/205  
D673,520 S \* 1/2013 Tan ..... D14/205  
D674,767 S \* 1/2013 Brunner et al.  
D675,595 S \* 2/2013 Cho et al. .... D14/205  
D678,860 S \* 3/2013 Hagelin ..... D14/205  
D683,329 S \* 5/2013 Hagelin ..... D14/205  
D684,139 S \* 6/2013 Miyake et al. .... D14/205  
D691,109 S \* 10/2013 Hardi et al. .... D14/205  
D693,791 S \* 11/2013 Troy ..... D14/205  
D696,228 S \* 12/2013 Miyake et al. .... D14/205  
D699,702 S \* 2/2014 Chen ..... D14/205  
D717,764 S \* 11/2014 Lee et al. .... D14/205

**FOREIGN PATENT DOCUMENTS**

CN 301506592 S 4/2011  
CN 301967049 S 6/2012

\* cited by examiner

*Primary Examiner* — Paula Greene

(74) *Attorney, Agent, or Firm* — Cantor Colburn LLP

(57) **CLAIM**

The ornamental design for a headphone, as shown and described.

**DESCRIPTION**

FIG. 1 is a perspective view of a headphone, showing our new design;

FIG. 2 is a front view thereof;

FIG. 3 is a rear view thereof;

FIG. 4 is a side view thereof;

FIG. 5 is another side view thereof;

FIG. 6 is a top view thereof;

FIG. 7 is a bottom view thereof;

FIG. 8 is another perspective view thereof; and,

FIG. 9 is another front view thereof in another configuration.

The broken lines are for environmental purpose only and form no part of the claimed design.

**1 Claim, 9 Drawing Sheets**

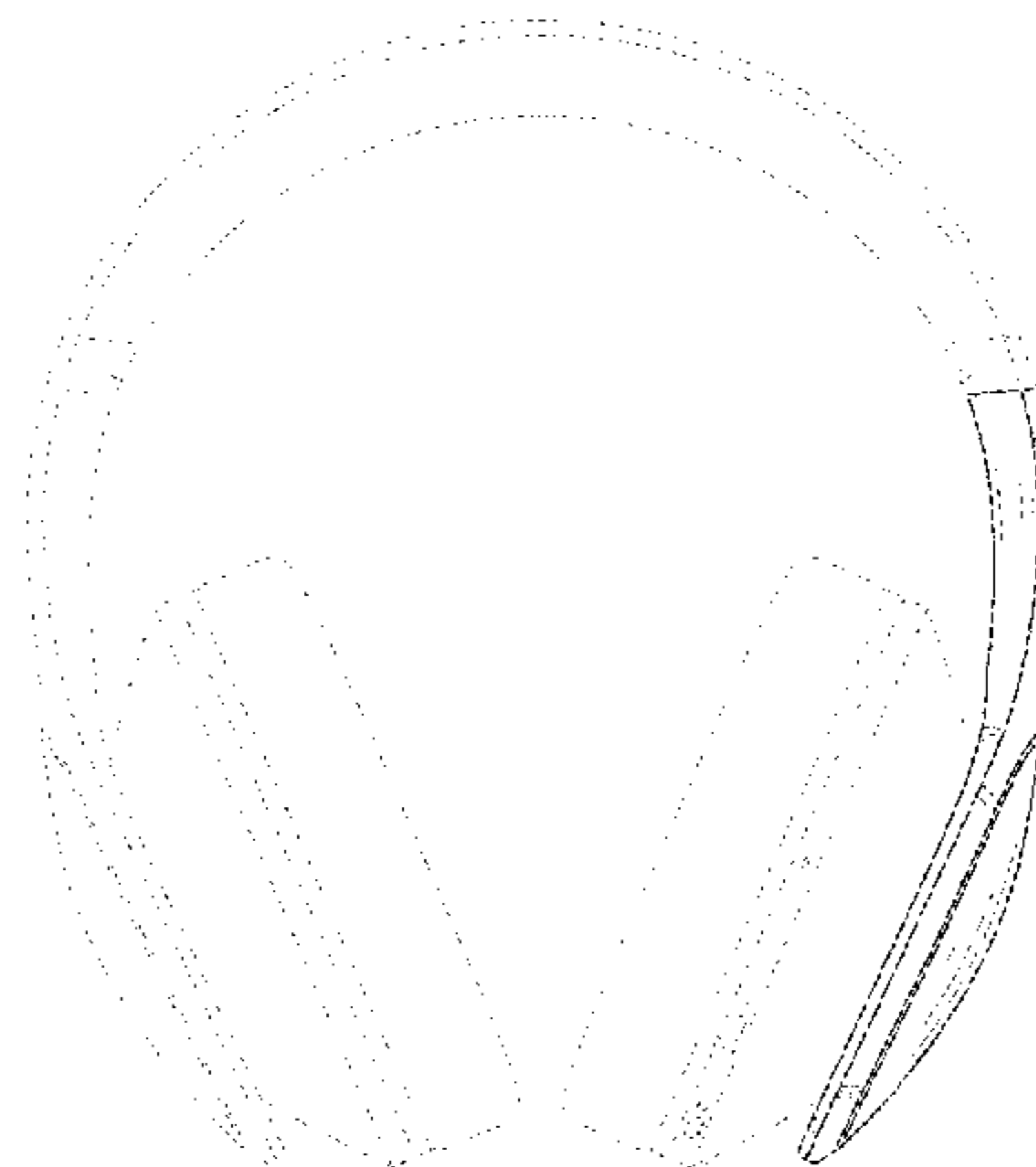


FIG. 1

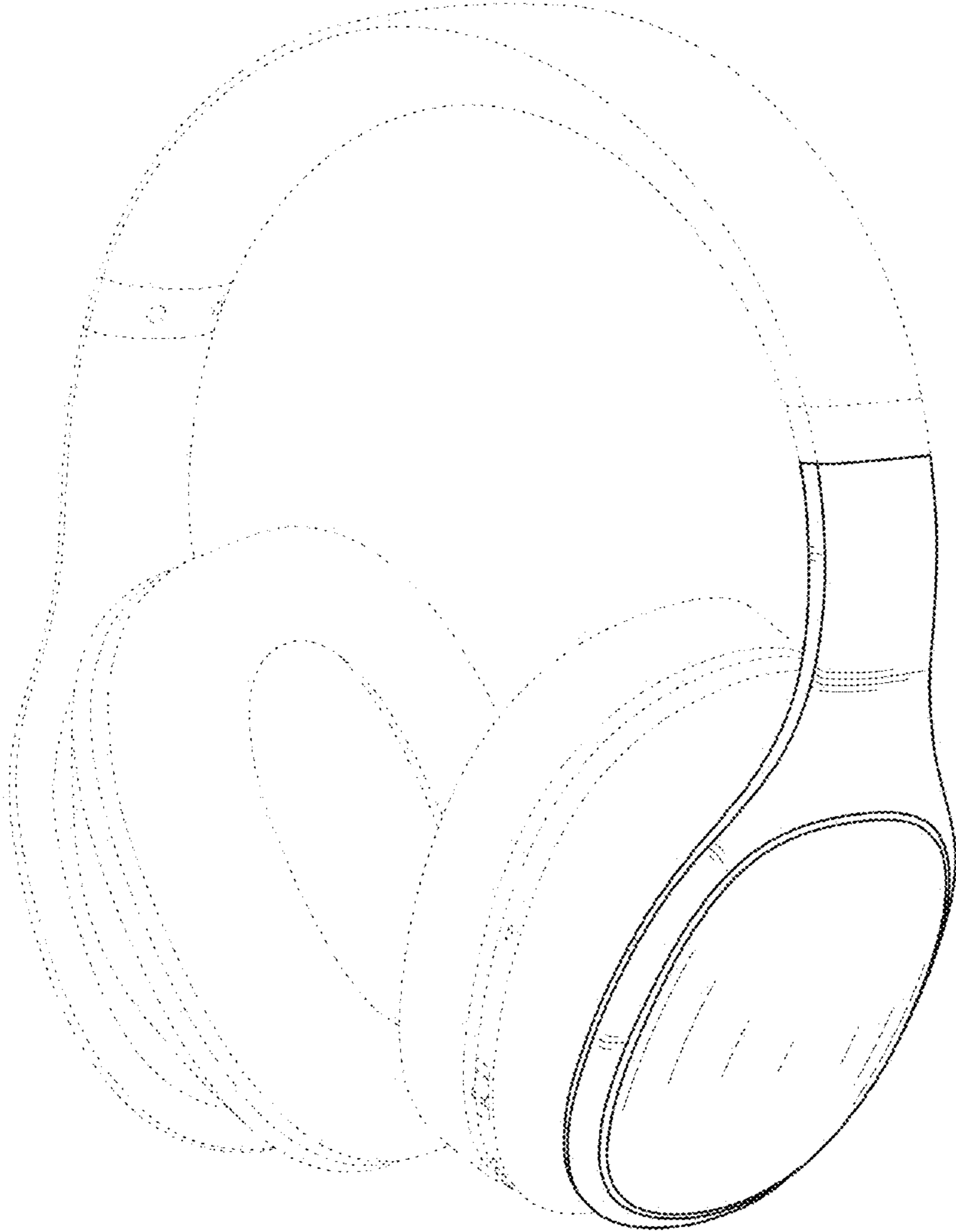


FIG. 2

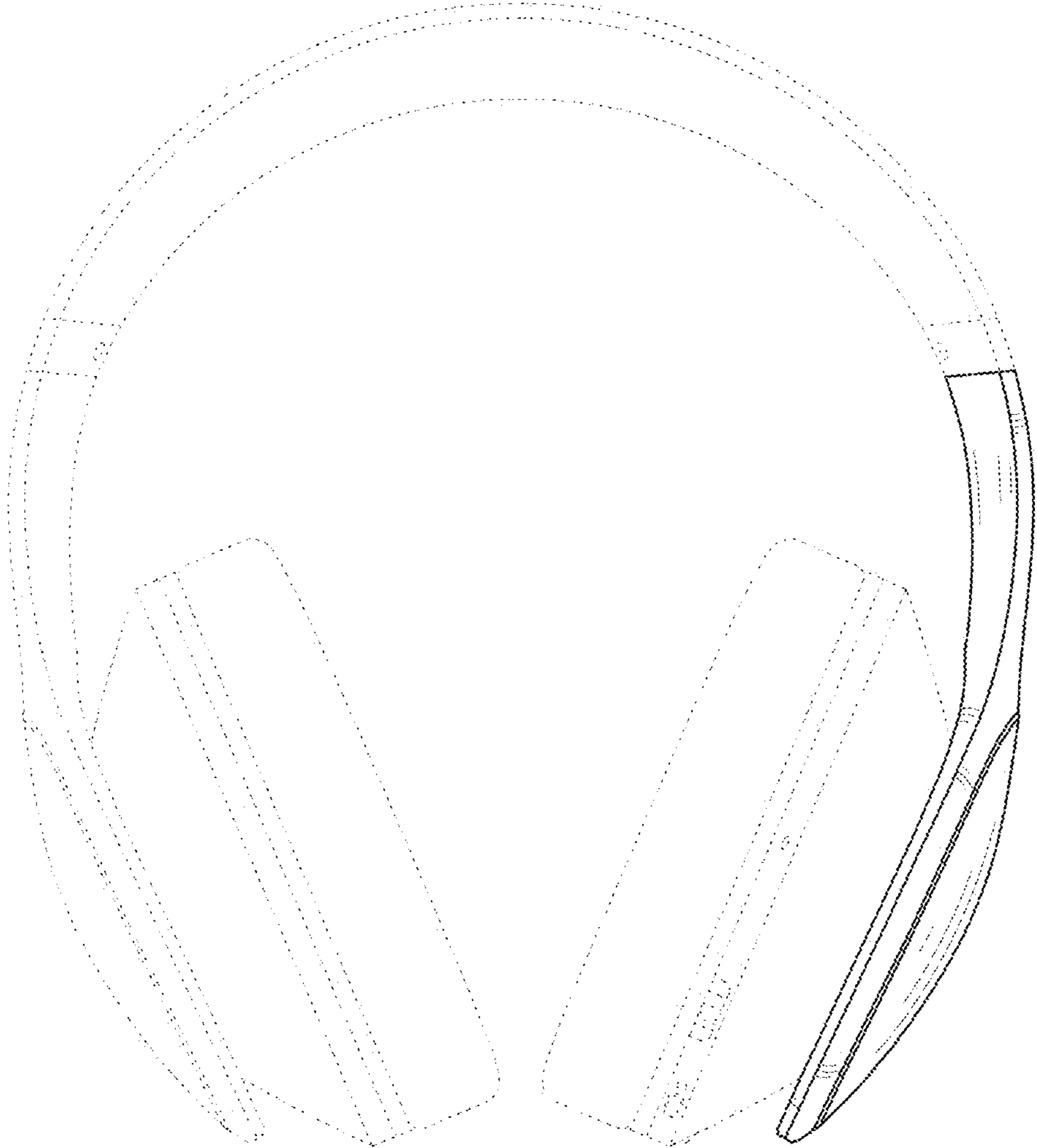


FIG. 3

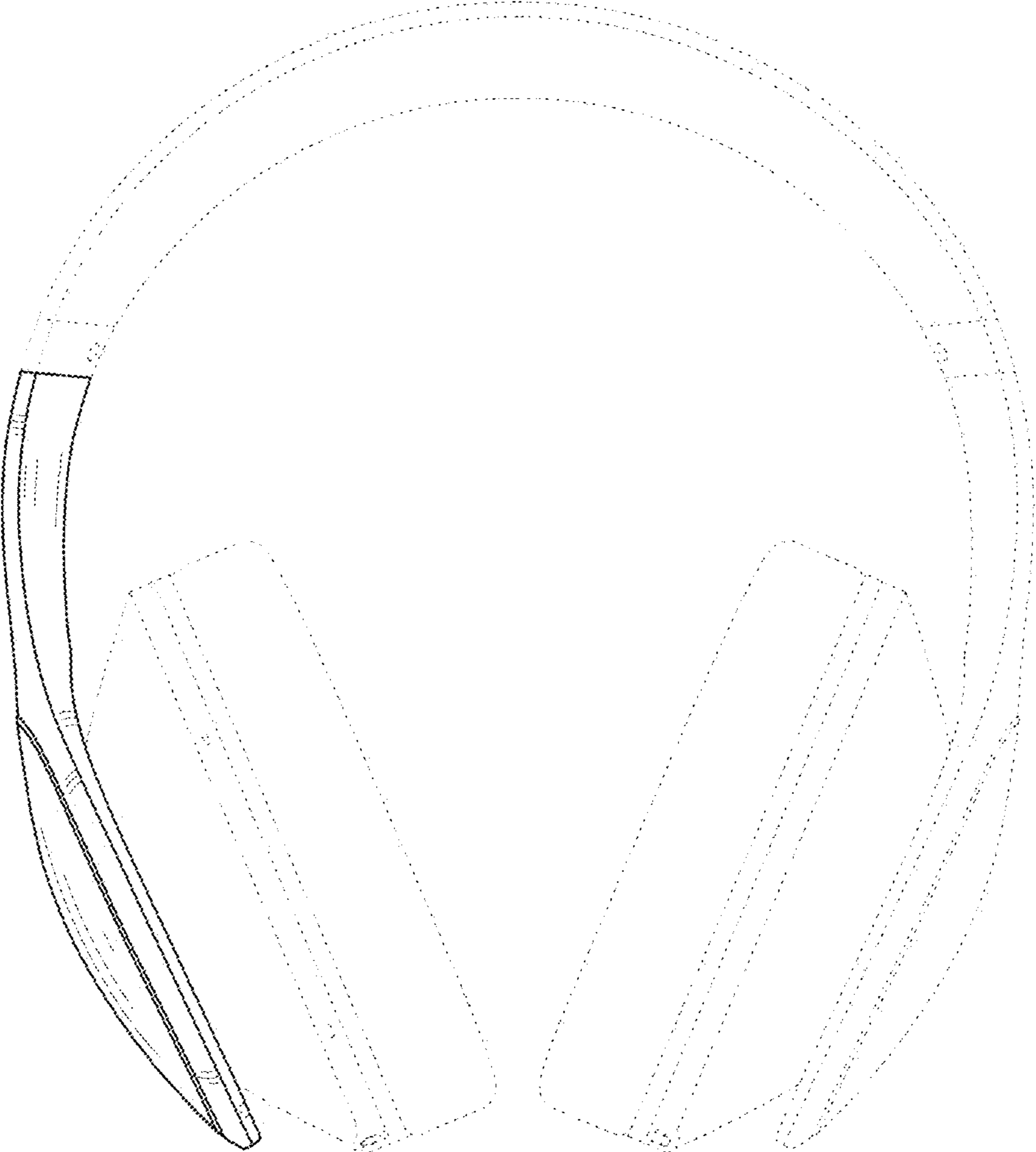


FIG. 4

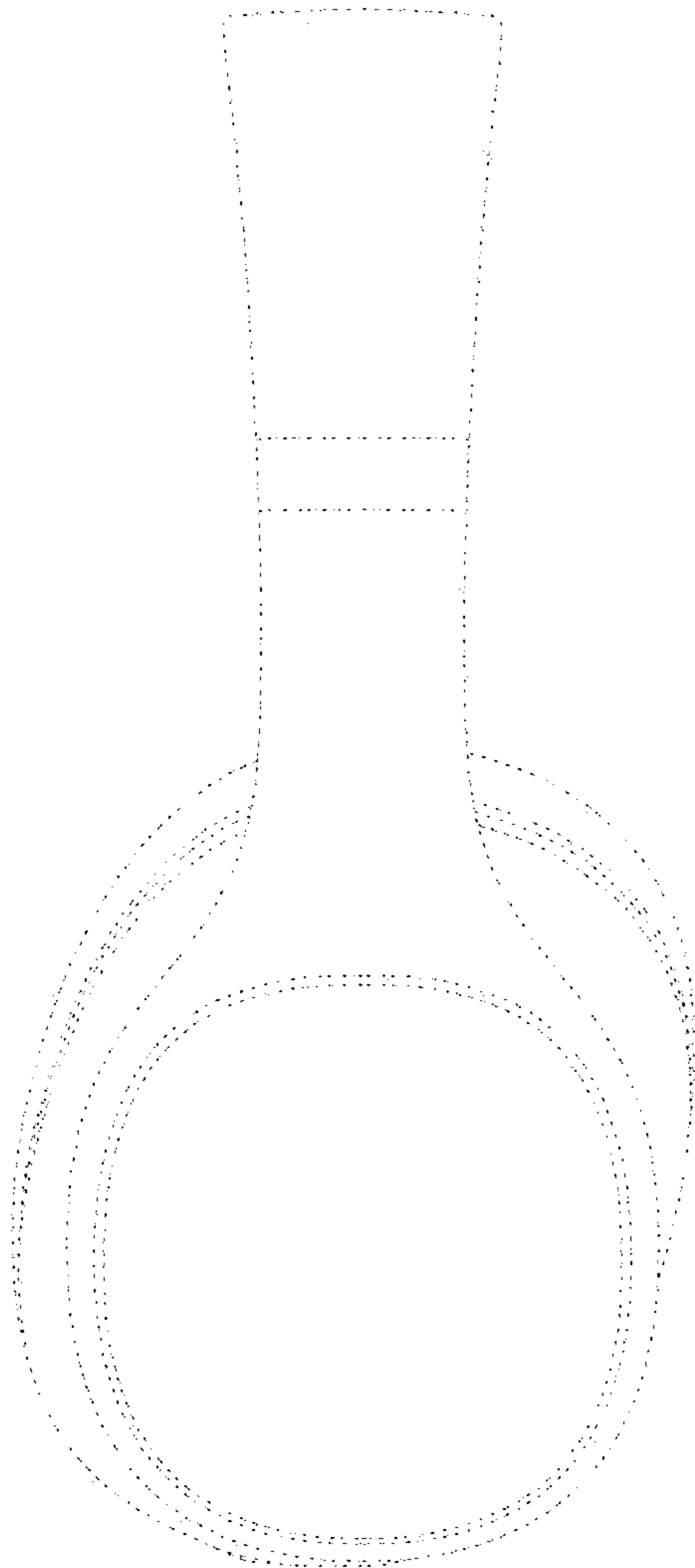


FIG. 5

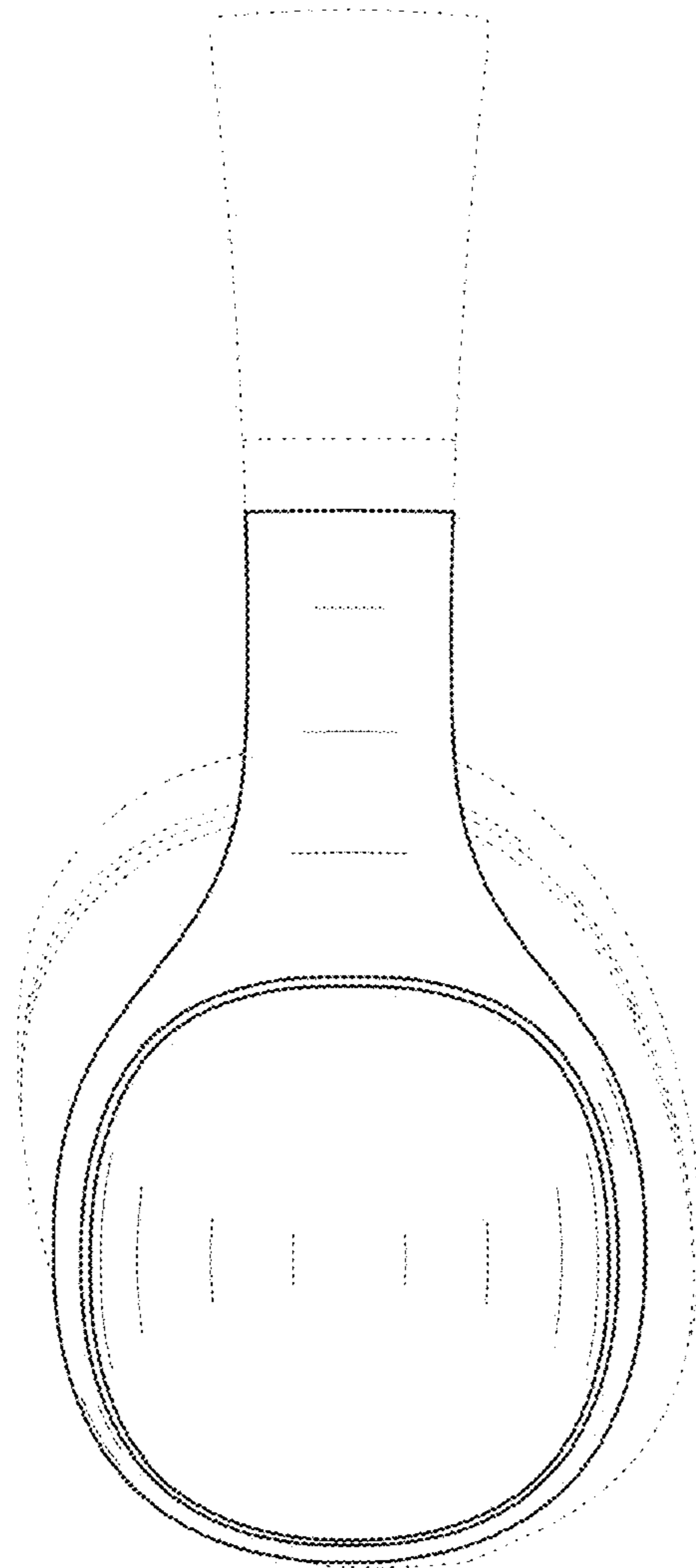


FIG. 6

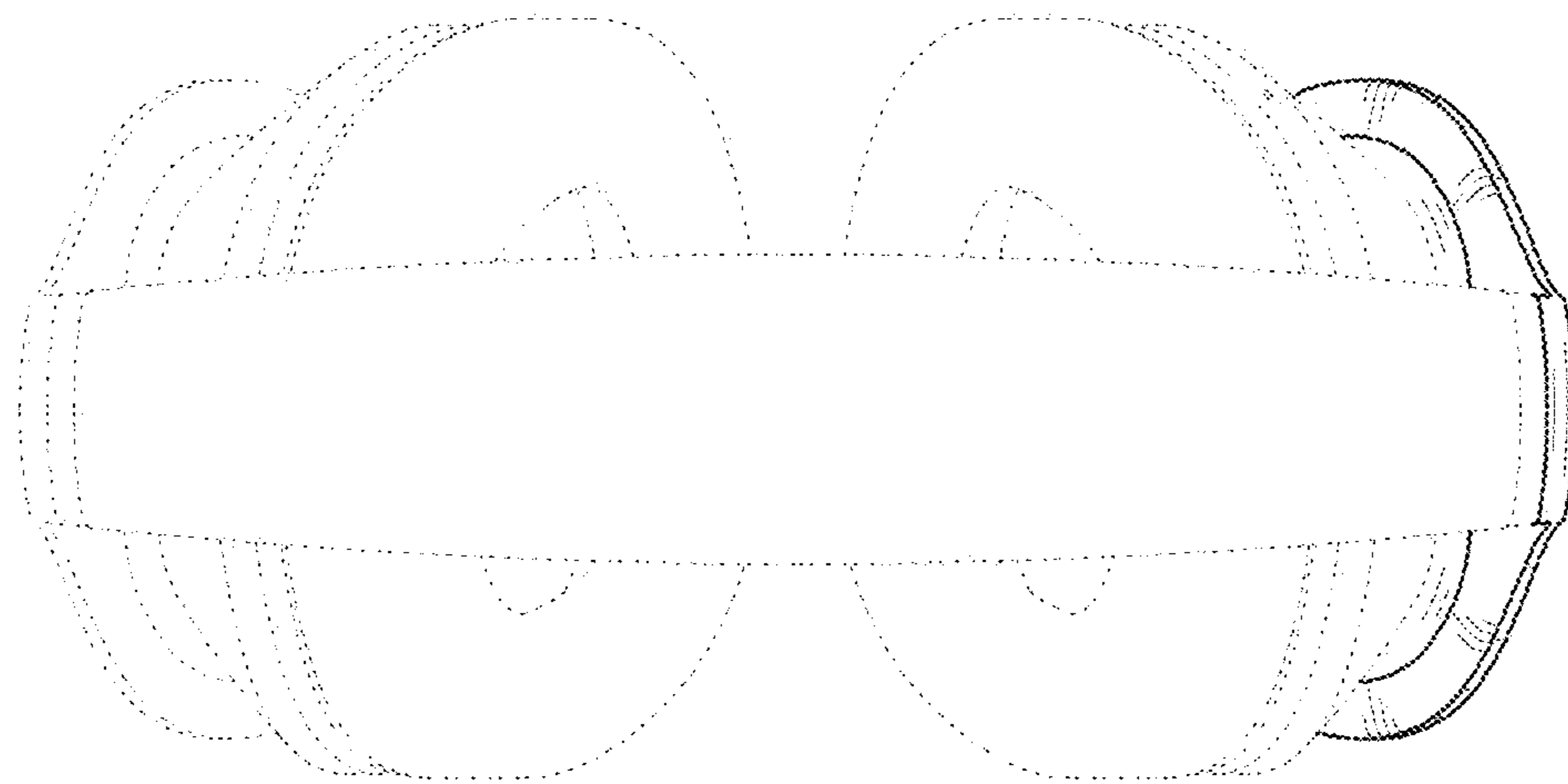


FIG. 7

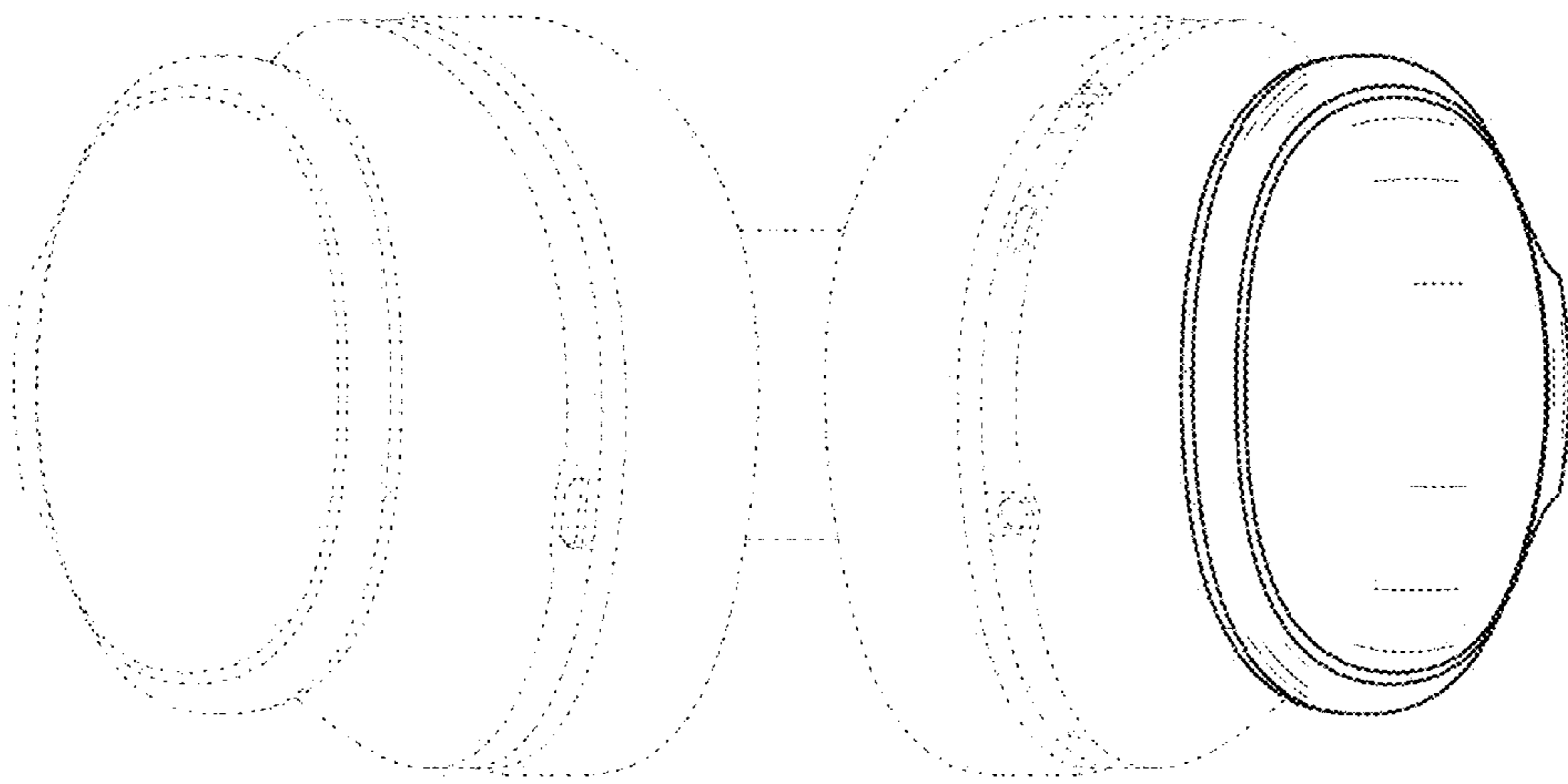




FIG. 8

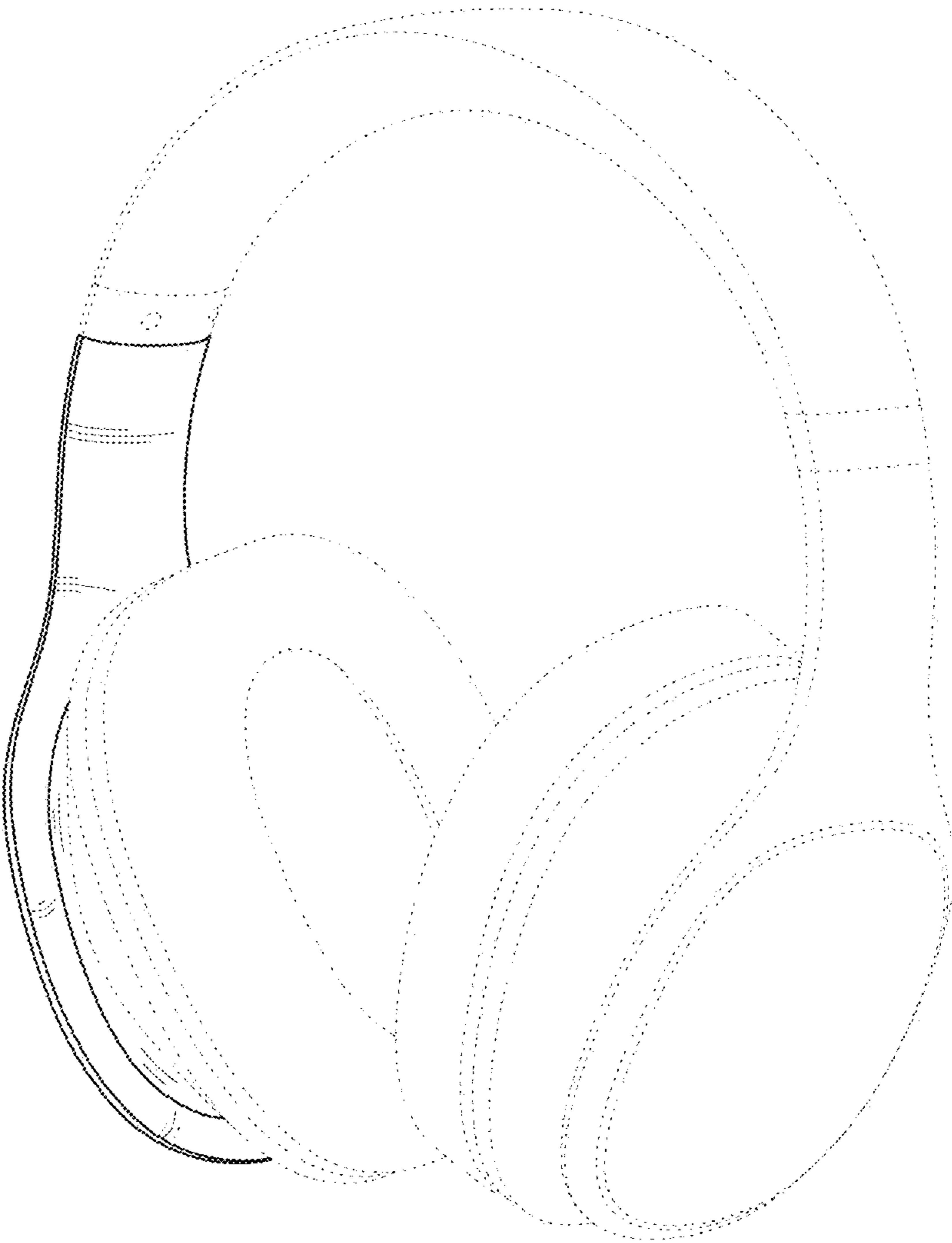


FIG. 9

