

US00D739377S

(12) **United States Design Patent**
Yeom et al.

(10) **Patent No.:** **US D739,377 S**
(45) **Date of Patent:** **** Sep. 22, 2015**

- (54) **WIRELESS HEADSET**
- (71) Applicant: **LG ELECTRONICS INC.**, Seoul (KR)
- (72) Inventors: **Ilsoo Yeom**, Seoul (KR); **Younghun Jang**, Seoul (KR)
- (73) Assignee: **LG Electronics Inc.**, Seoul (KR)
- (**) Term: **14 Years**
- (21) Appl. No.: **29/478,465**
- (22) Filed: **Jan. 6, 2014**
- (30) **Foreign Application Priority Data**

Sep. 25, 2013 (KR) 30-2013-0048780

- (51) **LOC (10) Cl.** **14-01**
- (52) **U.S. Cl.**
USPC **D14/205**
- (58) **Field of Classification Search**
USPC D14/205, 206, 223; 181/129, 130, 135;
379/430, 431; 381/380, 381; 455/90.3,
455/575.1
CPC H04R 1/10; H04R 25/00
See application file for complete search history.

(56) **References Cited**

U.S. PATENT DOCUMENTS

4,972,468	A *	11/1990	Murase et al.	379/430
D316,550	S *	4/1991	Sogabe	D14/168
D318,670	S *	7/1991	Taniguchi	D14/205
D334,043	S *	3/1993	Taniguchi et al.	D14/218
5,247,293	A *	9/1993	Nakagawa	340/4.42
6,122,369	A *	9/2000	Hwang et al.	379/420.04
6,438,248	B1 *	8/2002	Kamimura et al.	381/374
D481,377	S *	10/2003	Eguchi	D14/223
D511,157	S *	11/2005	Johnson	D14/223
D529,901	S *	10/2006	Ohta	D14/223

7,120,268	B2 *	10/2006	Murozaki et al.	381/381
D558,735	S *	1/2008	Carr et al.	D14/206
D569,841	S *	5/2008	Chung et al.	D14/205
D578,508	S *	10/2008	Wang	D14/206
D588,584	S *	3/2009	Park et al.	D14/226
D590,371	S *	4/2009	Leinvuo	D14/205
D591,264	S *	4/2009	Hong et al.	D14/205
D605,170	S *	12/2009	Keinanen	D14/205
D605,628	S *	12/2009	Ando	D14/205
D626,112	S *	10/2010	Kao et al.	D14/205
D636,756	S *	4/2011	Fahrendorff et al.	D14/205
D648,315	S *	11/2011	Kao	D14/205
D659,117	S *	5/2012	Krauss et al.	D14/205
D659,673	S *	5/2012	Fahrendorff et al.	D14/205
D662,079	S *	6/2012	Fahrendorff et al.	D14/205
D674,373	S *	1/2013	Combs et al.	D14/205
D682,808	S *	5/2013	Fletcher et al.	D14/205
8,457,343	B2 *	6/2013	Zhu	381/380
8,908,899	B1 *	12/2014	Yang	381/384

* cited by examiner

Primary Examiner — Paula Greene

(74) *Attorney, Agent, or Firm* — Morgan, Lewis & Bockius LLP

(57) **CLAIM**

The ornamental design for a wireless headset, as shown and described.

DESCRIPTION

FIG. 1 is a front, right, side, perspective view of a wireless headset showing our new design, the cord is drawn broken away for indeterminate length;
 FIG. 2 is a front view thereof;
 FIG. 3 is a rear view thereof;
 FIG. 4 is a left side view thereof;
 FIG. 5 is a right side view thereof;
 FIG. 6 is a top view thereof; and,
 FIG. 7 is a bottom view thereof.

1 Claim, 6 Drawing Sheets

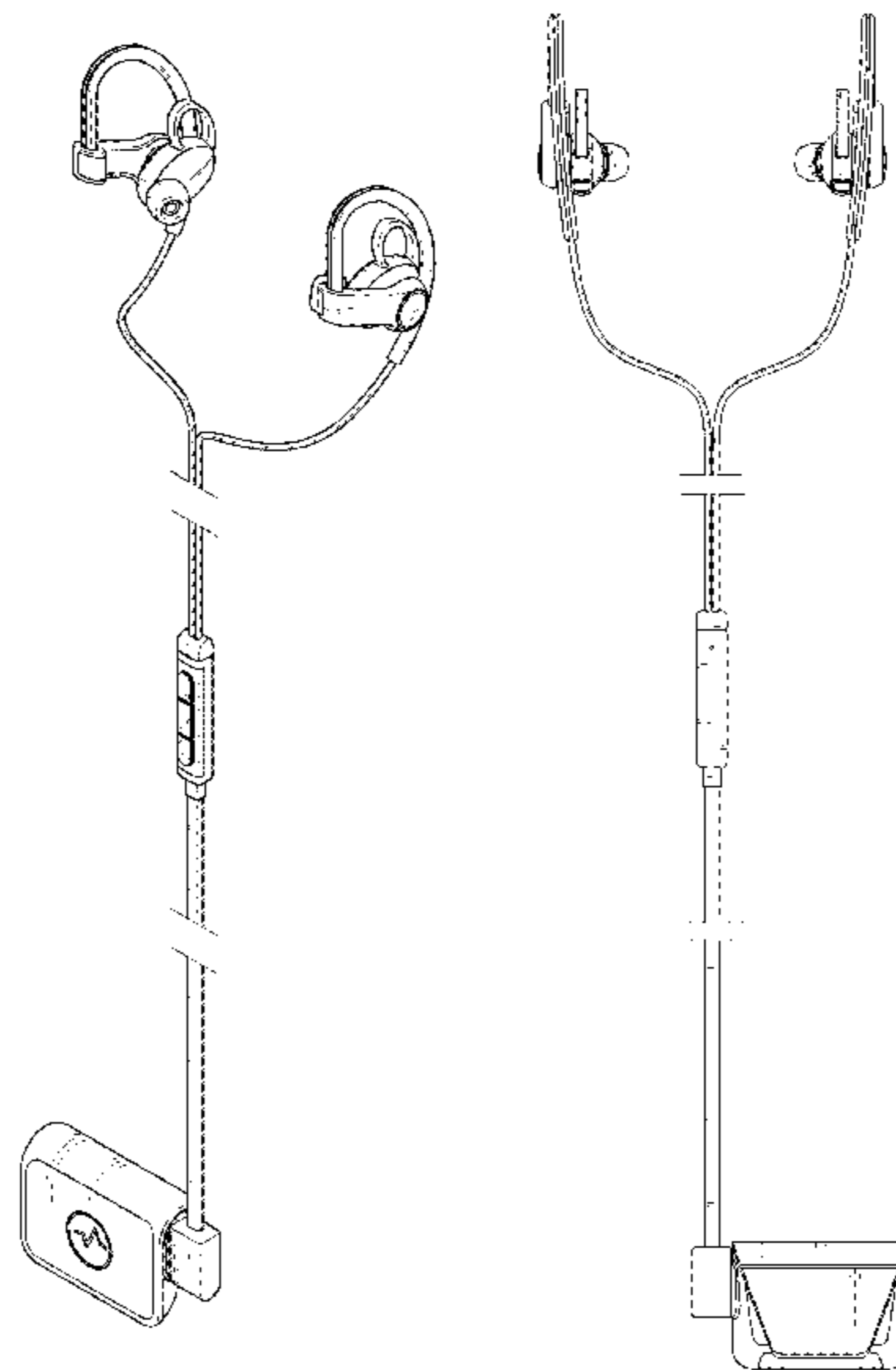


FIG. 1

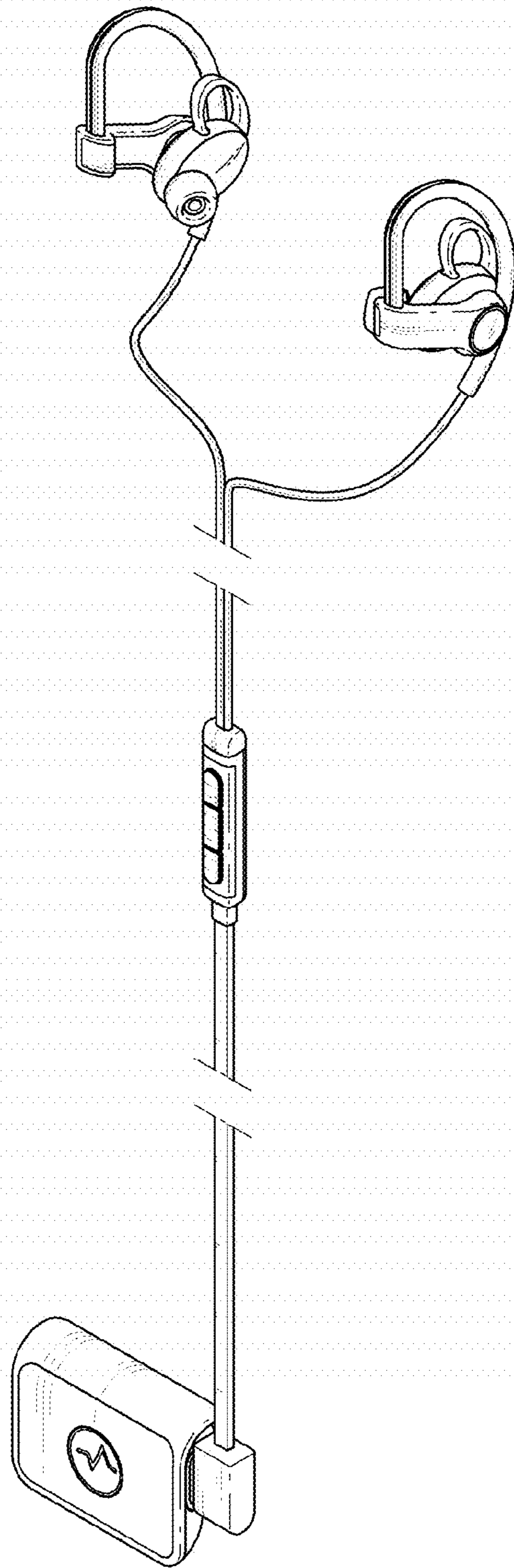


FIG. 2

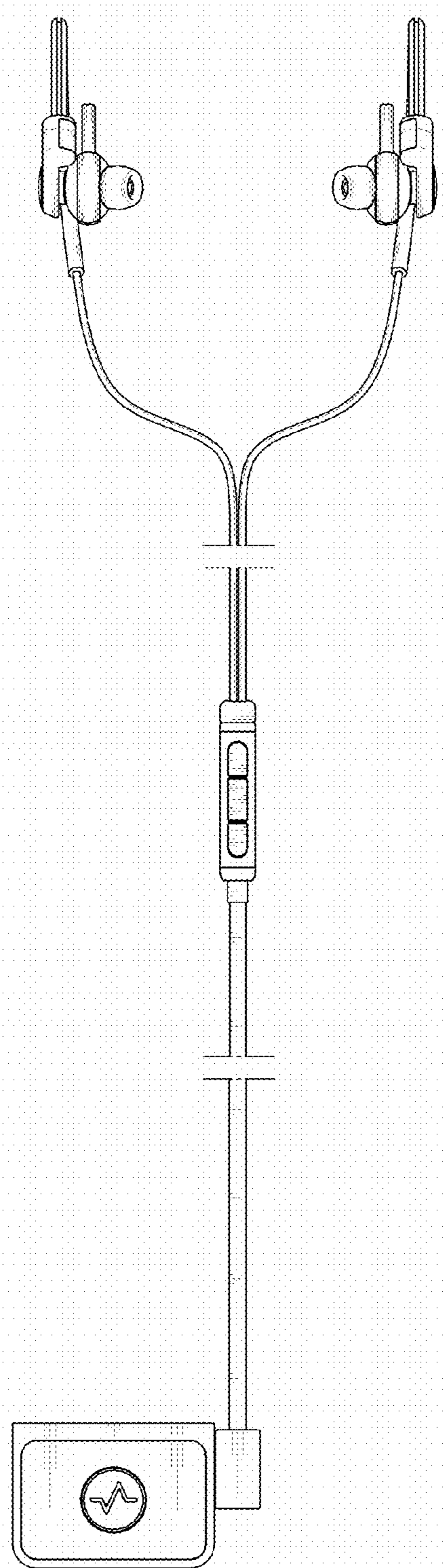


FIG. 3

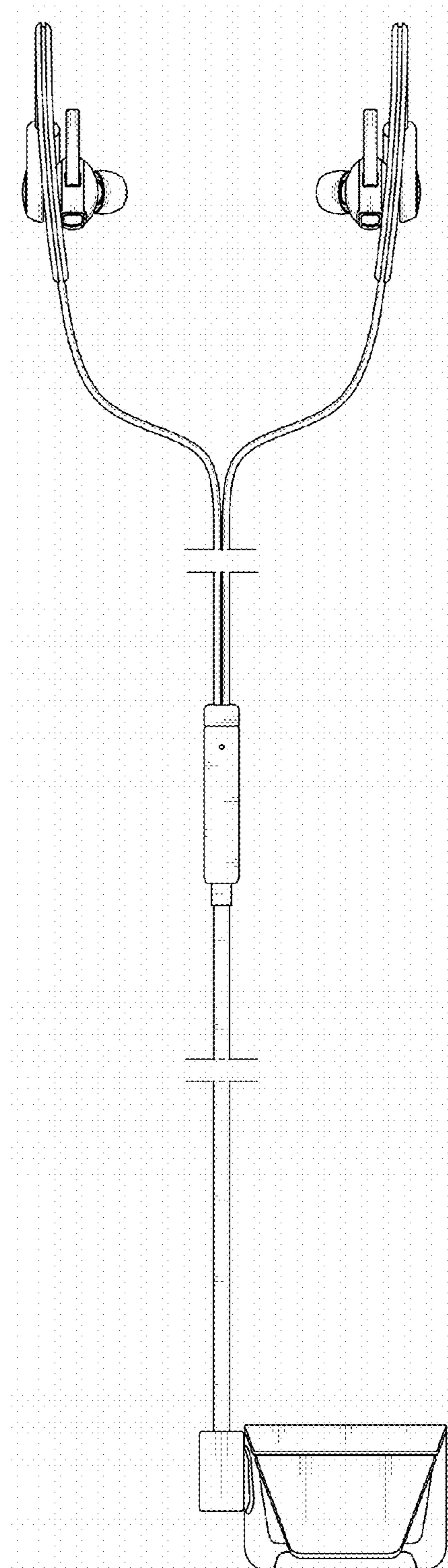


FIG. 4

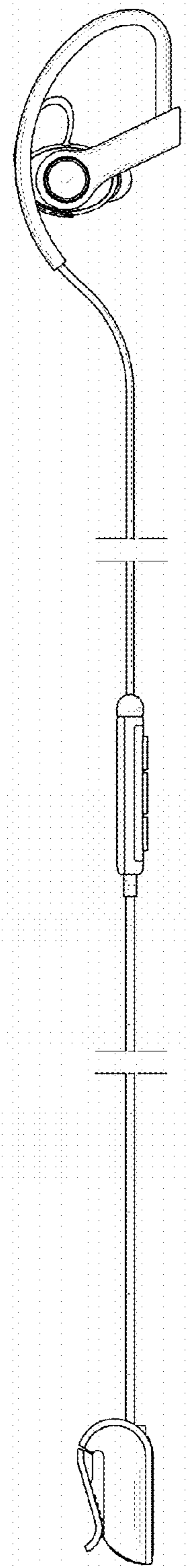


FIG. 5

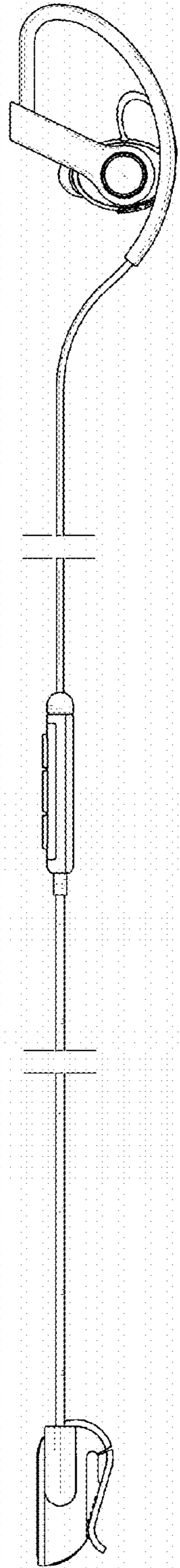


FIG. 6

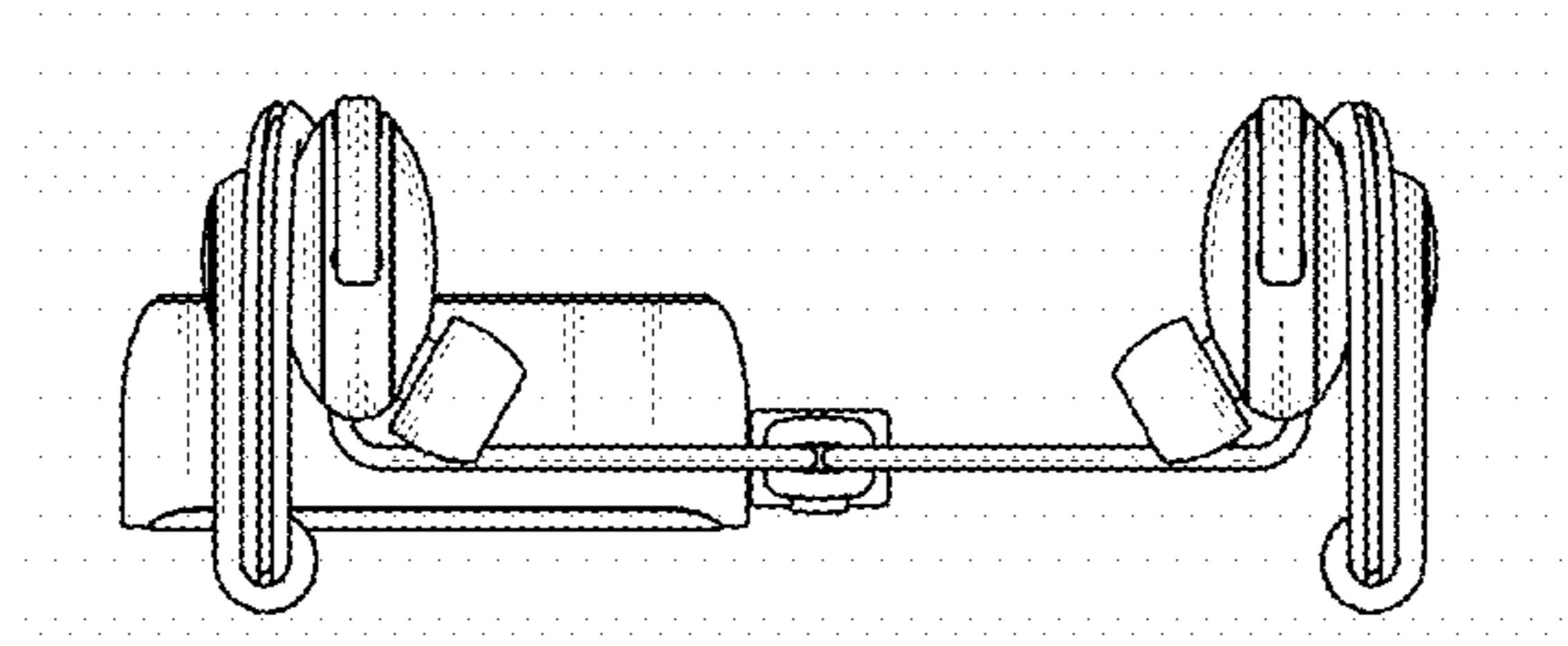


FIG. 7

