



US00D739376S

(12) **United States Design Patent**
Asao

(10) **Patent No.:** **US D739,376 S**
(45) **Date of Patent:** **** Sep. 22, 2015**

(54) **SPEAKER BOX**

(71) Applicant: **Panasonic Corporation**, Osaka (JP)

(72) Inventor: **Yu Asao**, Osaka (JP)

(73) Assignee: **Panasonic Intellectual Property Management Co., Ltd.**, Osaka (JP)

(**) Term: **14 Years**

(21) Appl. No.: **29/488,383**

(22) Filed: **Apr. 18, 2014**

(30) **Foreign Application Priority Data**

Dec. 24, 2013 (JP) 2013-030114

(51) **LOC (10) Cl.** **14-01**

(52) **U.S. Cl.**
USPC **D14/204**

(58) **Field of Classification Search**

USPC D10/1, 15, 18, 19, 21, 22, 24, 25, 27,
D10/28; D14/167–169, 170–172, 188,
D14/194–197, 203.1–203.6, 204, 207,
D14/214–216, 496; 181/143, 144, 147, 148,
181/150, 153, 157, 198, 199; 381/300–302,
381/336, 345, 361–364, 386–388
CPC H04R 1/02; H04R 1/021; H04R 1/023;
H04R 5/00; H04R 9/06; H04R 2420/07

See application file for complete search history.

(56) **References Cited**

U.S. PATENT DOCUMENTS

D475,301	S	*	6/2003	Kiu	D10/15
D480,062	S	*	9/2003	Kulkarni	D14/168
D587,675	S	*	3/2009	Xie	D14/172
D605,625	S	*	12/2009	Skurdal	D14/171
D618,252	S	*	6/2010	Bradford et al.	D14/496
D659,670	S	*	5/2012	Goetzen et al.	D14/194
D671,909	S	*	12/2012	Choi	D14/188
D674,779	S	*	1/2013	Joseph	D14/214

* cited by examiner

Primary Examiner — Derrick Holland

Assistant Examiner — Janice Lim

(74) *Attorney, Agent, or Firm* — Panasonic Patent Center

(57) **CLAIM**

The ornamental design for a speaker box, as shown and described.

DESCRIPTION

FIG. 1 is a front perspective view of a speaker box, showing my new design;

FIG. 2 is a front view thereof;

FIG. 3 is a rear view thereof;

FIG. 4 is a first side view thereof;

FIG. 5 is a second side view thereof;

FIG. 6 is a top plan view thereof; and,

FIG. 7 is a bottom plan view thereof.

The circular broken line portions of FIGS. 1, 3, and 6 are included to show unclaimed subject matter only and form no part of the claimed design.

The dot-dash broken line portions of FIGS. 1, 3, and 6 are included to show the boundary between the claimed portion and unclaimed portion only and form no part of the claimed design.

1 Claim, 7 Drawing Sheets

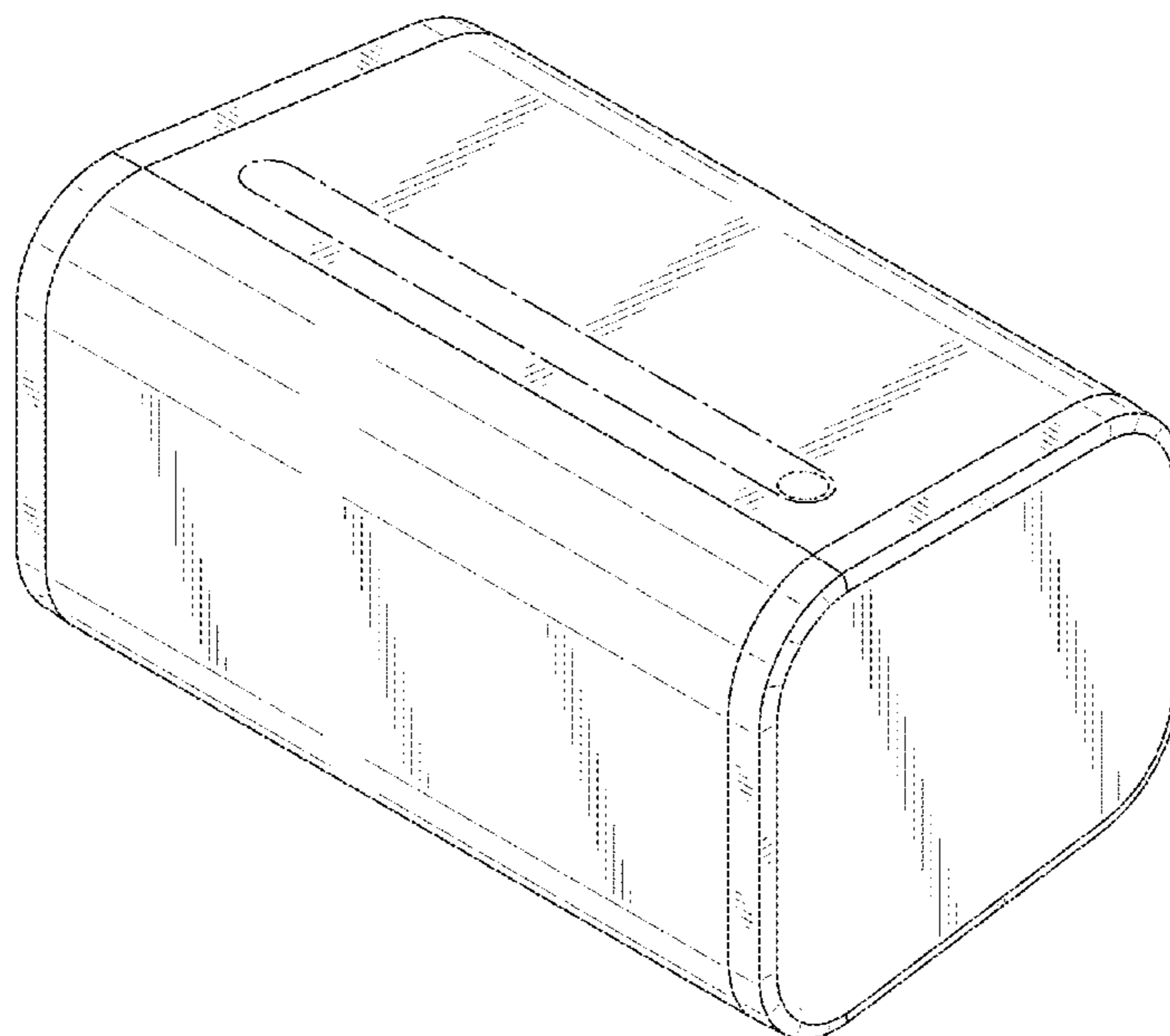


FIG. 1

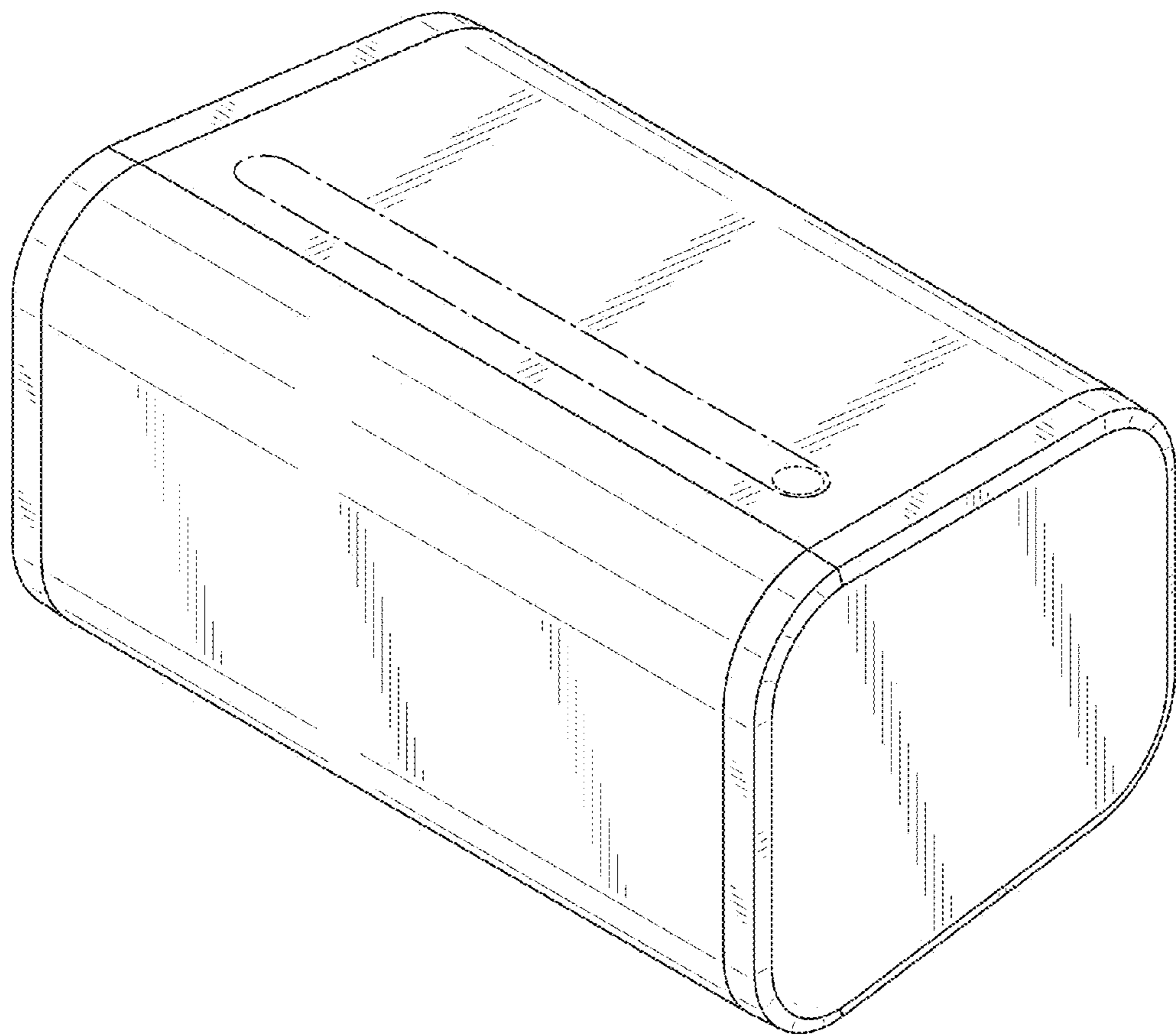


FIG. 2

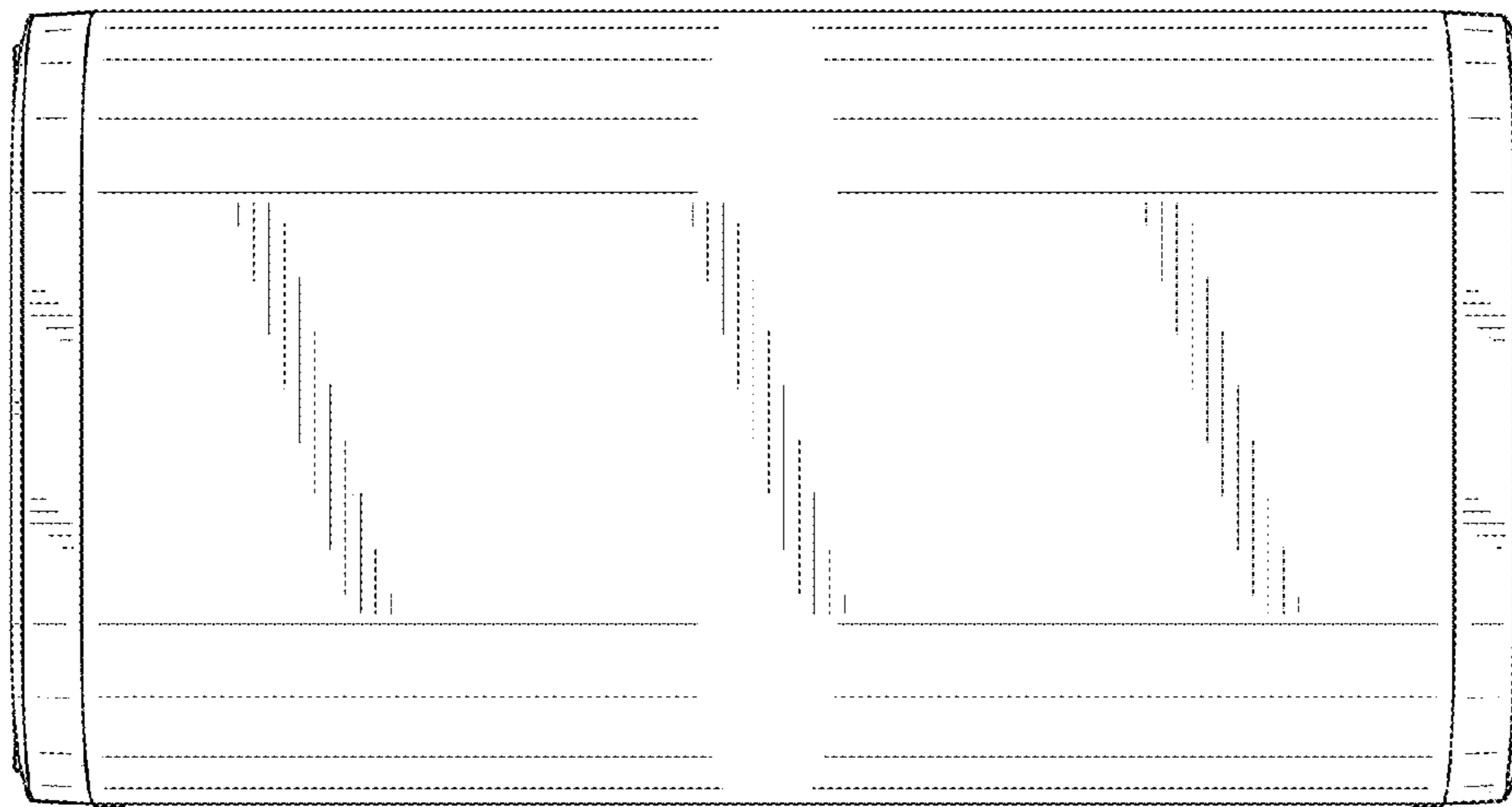


FIG. 3

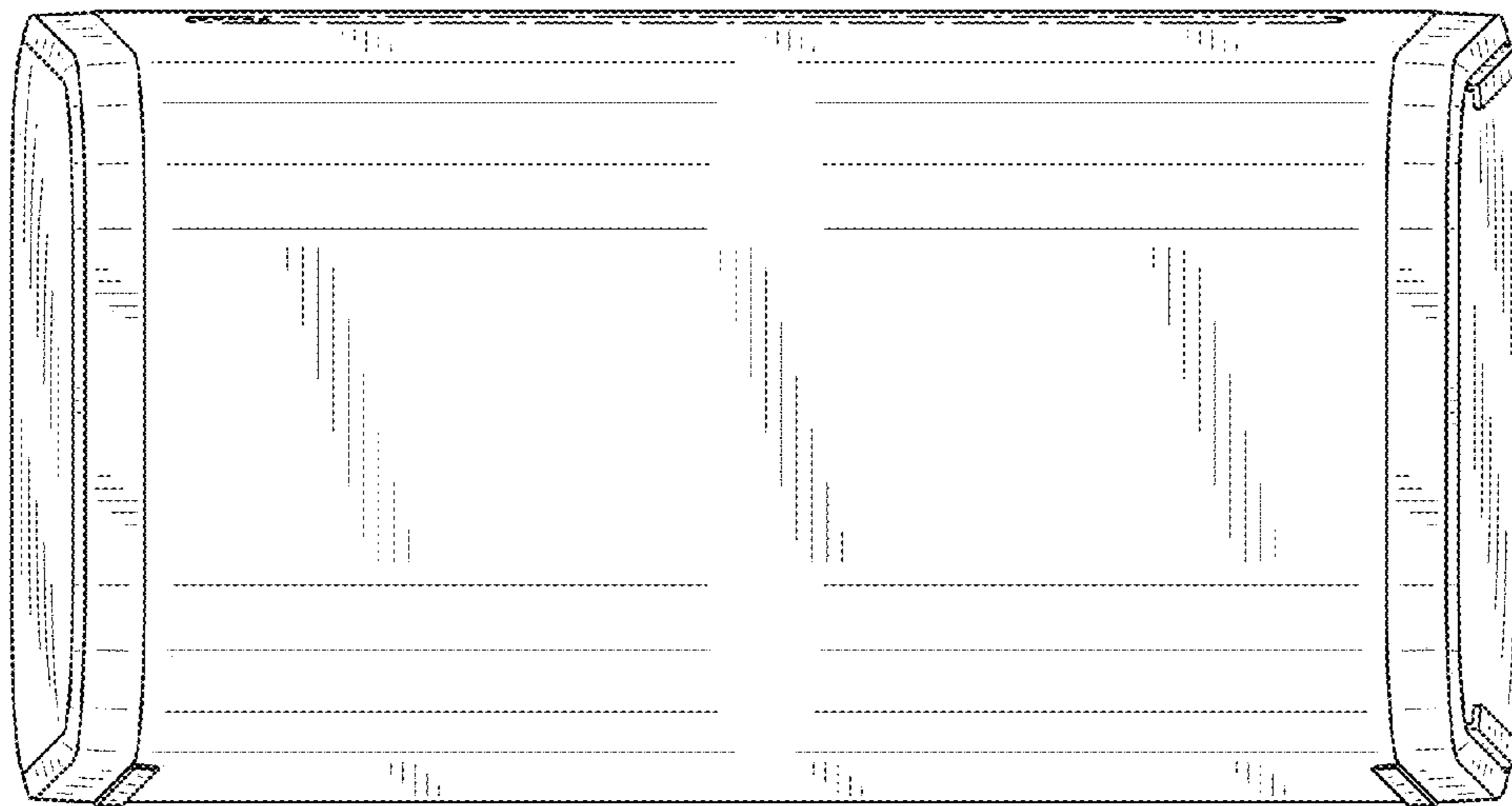


FIG. 4

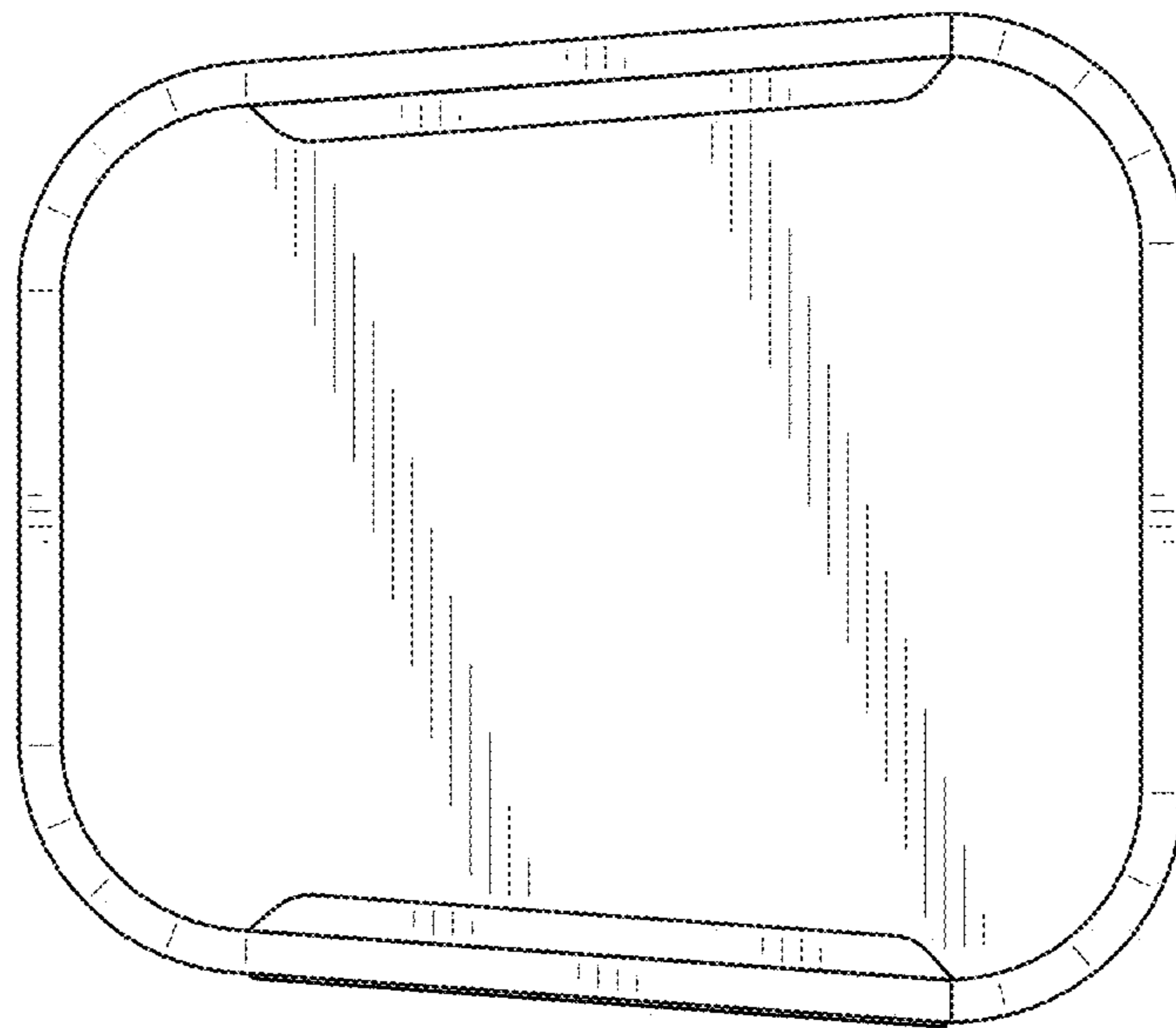


FIG. 5

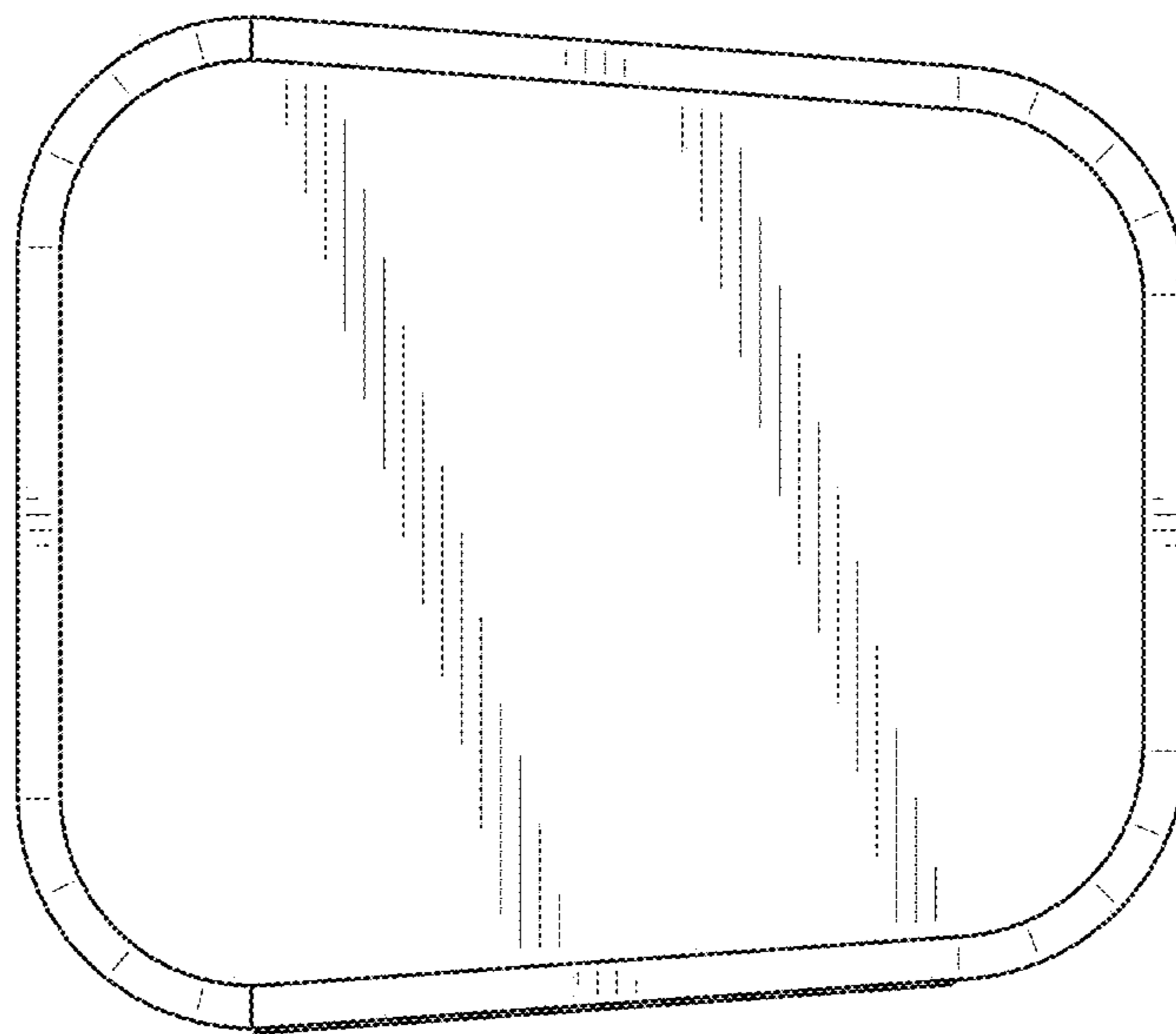


FIG. 6

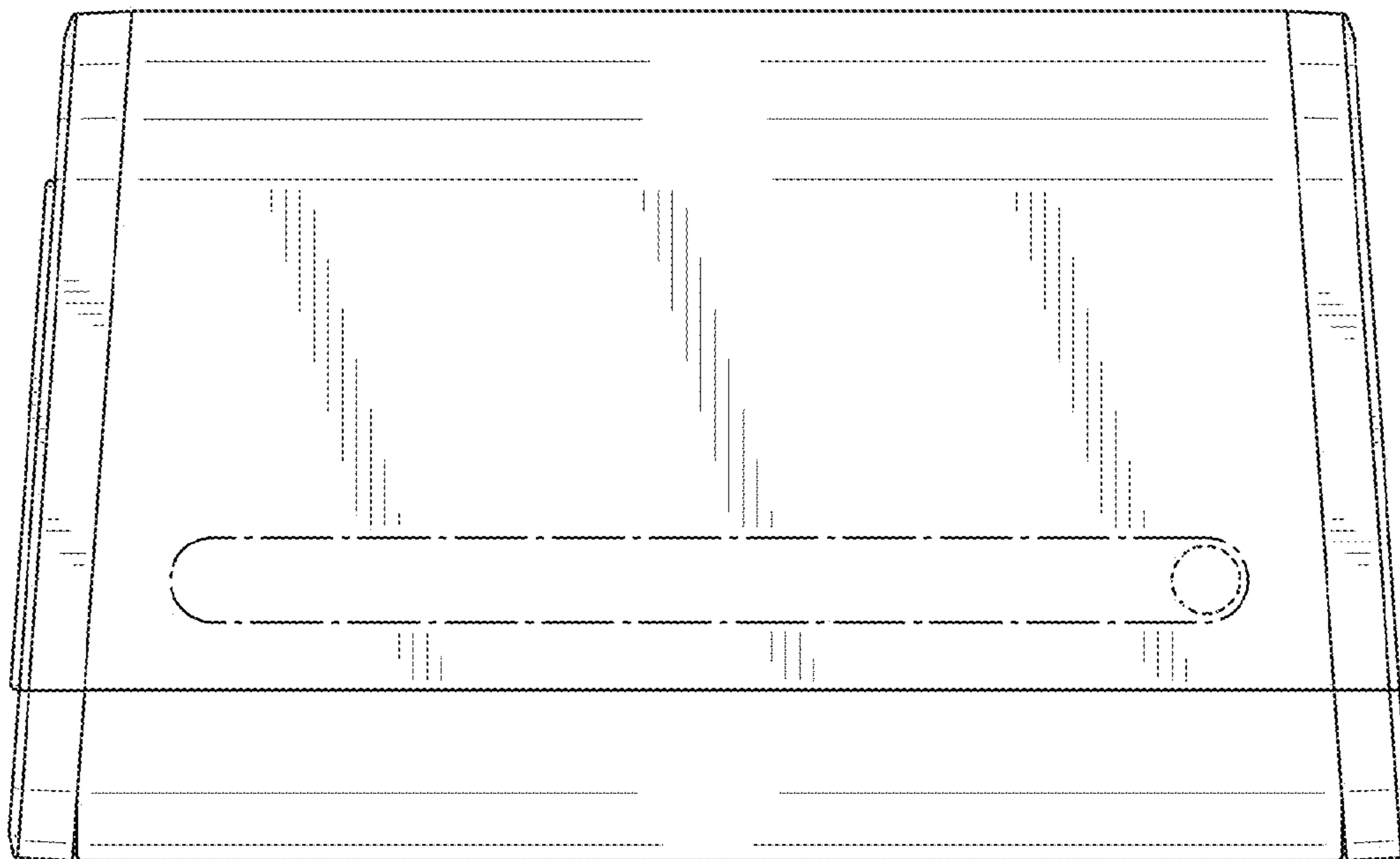


FIG. 7

