

US00D739373S

(12) United States Design Patent
Hillenmayer**(10) Patent No.: US D739,373 S****(45) Date of Patent: ** Sep. 22, 2015****(54) TELEPHONE INTERCOM SYSTEM****(71) Applicant: Stefan Hillenmayer, Munich (DE)****(72) Inventor: Stefan Hillenmayer, Munich (DE)****(73) Assignee: Unify GmbH & Co. KG, Munich (DE)****(**) Term: 14 Years****(21) Appl. No.: 29/451,517****(22) Filed: Apr. 3, 2013****(30) Foreign Application Priority Data**

Oct. 5, 2012 (DE) 40 2012 004 621

(51) LOC (10) Cl. 14-03**(52) U.S. Cl.**
USPC **D14/144****(58) Field of Classification Search**USPC D14/137, 138 R, 138 AA, 138 AD,
D14/138 G, 140-142, 144, 147, 148, 149,
D14/150-151, 191, 203.1-203.8, 240, 243,
D14/496, 218, 341-347, 247-248; 455/566,
455/575.1, 575.3, 575.4; 348/168, 169, 167
CPC H04N 5/33; H04N 5/232; H04N 3/09;
G01S 3/786; G01S 3/7864; G01S 3/7865;
G01J 5/52; H04M 1/72519; H04M 1/72583;
H04M 1/72522; H04M 1/0214; H04M 1/23;
H04M 1/0216; H04M 1/024; H04B 1/3833;
H01Q 1/245; H01Q 1/243

See application file for complete search history.

(56) References Cited

U.S. PATENT DOCUMENTS

D317,920 S * 7/1991 Fuqua et al. D14/140.8
D318,051 S * 7/1991 Danielson et al. D14/142
D318,660 S * 7/1991 Weber D14/140.11
D319,826 S * 9/1991 Hung D14/142
D332,786 S * 1/1993 Gagnon D14/142
D340,057 S * 10/1993 Wetzel et al. D14/140.9
D345,358 S * 3/1994 Hillenmayer et al. D14/151
D345,558 S * 3/1994 Hillenmayer et al. D14/151D351,165 S * 10/1994 Hillenmayer D14/151
D357,915 S * 5/1995 Hillenmayer D14/151
D364,622 S * 11/1995 Hillenmayer D14/151
D374,674 S * 10/1996 Elkins et al. D14/140.9
D375,095 S * 10/1996 Hillenmayer et al. D14/151
D387,063 S * 12/1997 Hillenmayer et al. D14/140.9
D417,222 S * 11/1999 Johnson et al. D14/140.9
D482,679 S * 11/2003 Hillenmayer D14/140.9
D489,700 S * 5/2004 Hillenmayer D14/151
D499,079 S * 11/2004 Abe et al. D14/151
D530,303 S 10/2006 Tang
D558,181 S * 12/2007 Takada et al. D14/151
D558,730 S * 1/2008 Nakashima D14/151
D573,974 S * 7/2008 Liu D14/140.8
D582,886 S * 12/2008 Woo et al. D14/151
D583,353 S * 12/2008 Brown et al. D14/140.8
D591,276 S * 4/2009 Takada D14/240
D596,612 S * 7/2009 Akatsu et al. D14/151
D600,670 S * 9/2009 Akatsu et al. D14/151
D601,118 S * 9/2009 Akatsu et al. D14/151
D601,119 S * 9/2009 Akatsu et al. D14/151
D658,627 S * 5/2012 Katori D14/142
D662,908 S * 7/2012 Dix et al. D14/151
D662,909 S * 7/2012 Dix et al. D14/151
D664,520 S * 7/2012 Shadovitz et al. D14/150

FOREIGN PATENT DOCUMENTS

EM 622717-0001 11/2006
EM 943709-0003 5/2008
GB 2091539 A 4/2000
RU 52333 U1 3/2006
TW 153395 3/1991
TW D145641 S1 3/2012
TW D145641U01 S1 3/2012

OTHER PUBLICATIONS

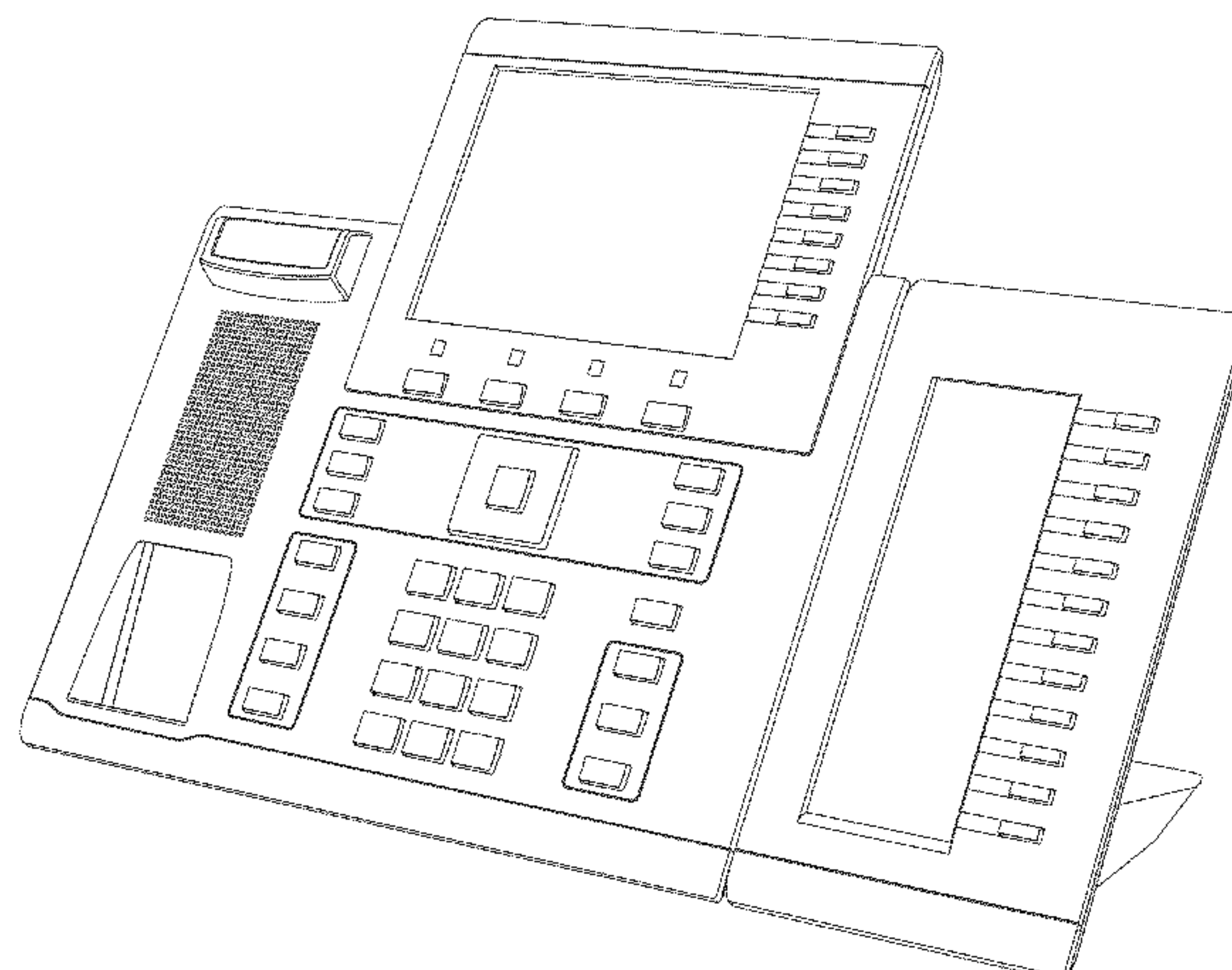
Russian Office Action dated Jan. 29, 2014 for Russian Design Application No. 2013501110.

Translated Taiwanese Office Action dated Jan. 21, 2014 for ROC (Taiwan) Patent Application No. 102302494.

* cited by examiner

Primary Examiner — Caron D Veynar*Assistant Examiner* — Holly E Thurman**(74) Attorney, Agent, or Firm** — Buchanan Ingersoll & Rooney PC**(57) CLAIM**

The ornamental design for a telephone intercom system, as shown and described.



DESCRIPTION

FIG. 1 is a front perspective view of a telephone intercom system comprised of a base unit, base unit support, side unit and a side unit support showing my new design;

FIG. 2 is a front view of the base unit, shown separately for clarity of disclosure;

FIG. 3 is a rear view of the base unit of FIG. 2 thereof;

FIG. 4 is a bottom view of the base unit of FIG. 2 thereof;

FIG. 5 is a top view of the base unit of FIG. 2 thereof;

FIG. 6 is a right side view of the base unit of FIG. 2 thereof;

FIG. 7 is a left side view of the base unit of FIG. 2 thereof;

FIG. 8 is a top view of the base unit support, shown separately for clarity of disclosure;

FIG. 9 is a bottom view of the base unit support of FIG. 8 thereof;

FIG. 10 is a rear view of the base unit support of FIG. 8 thereof;

FIG. 11 is a front view of the base unit support of FIG. 8 thereof;

FIG. 12 is a left side view of the base unit support of FIG. 8 thereof;

FIG. 13 is a right side view of the base unit support of FIG. 8 thereof;

FIG. 14 is a front view of the side unit, shown separately for clarity of disclosure;

FIG. 15 is a rear view of the side unit of FIG. 14 thereof;

FIG. 16 is a bottom view of the side unit of FIG. 14 thereof;

FIG. 17 is a top view of the side unit of FIG. 14 thereof;

FIG. 18 is a right side view of the side unit of FIG. 14 thereof;

FIG. 19 is a left side view of the side unit of FIG. 14 thereof;

FIG. 20 is a top view of the side unit support, shown separately for clarity of disclosure;

FIG. 21 is a bottom view of the side unit support of FIG. 20 thereof;

FIG. 22 is a rear view of the side unit support of FIG. 20 thereof;

FIG. 23 is a front view of the side unit support of FIG. 20 thereof;

FIG. 24 is a left side view of the side unit support of FIG. 20 thereof; and,

FIG. 25 is a right side view of the side unit support of FIG. 20 thereof.

The broken lines in the figures depict unclaimed environment and form no part of the claimed design.

1 Claim, 25 Drawing Sheets

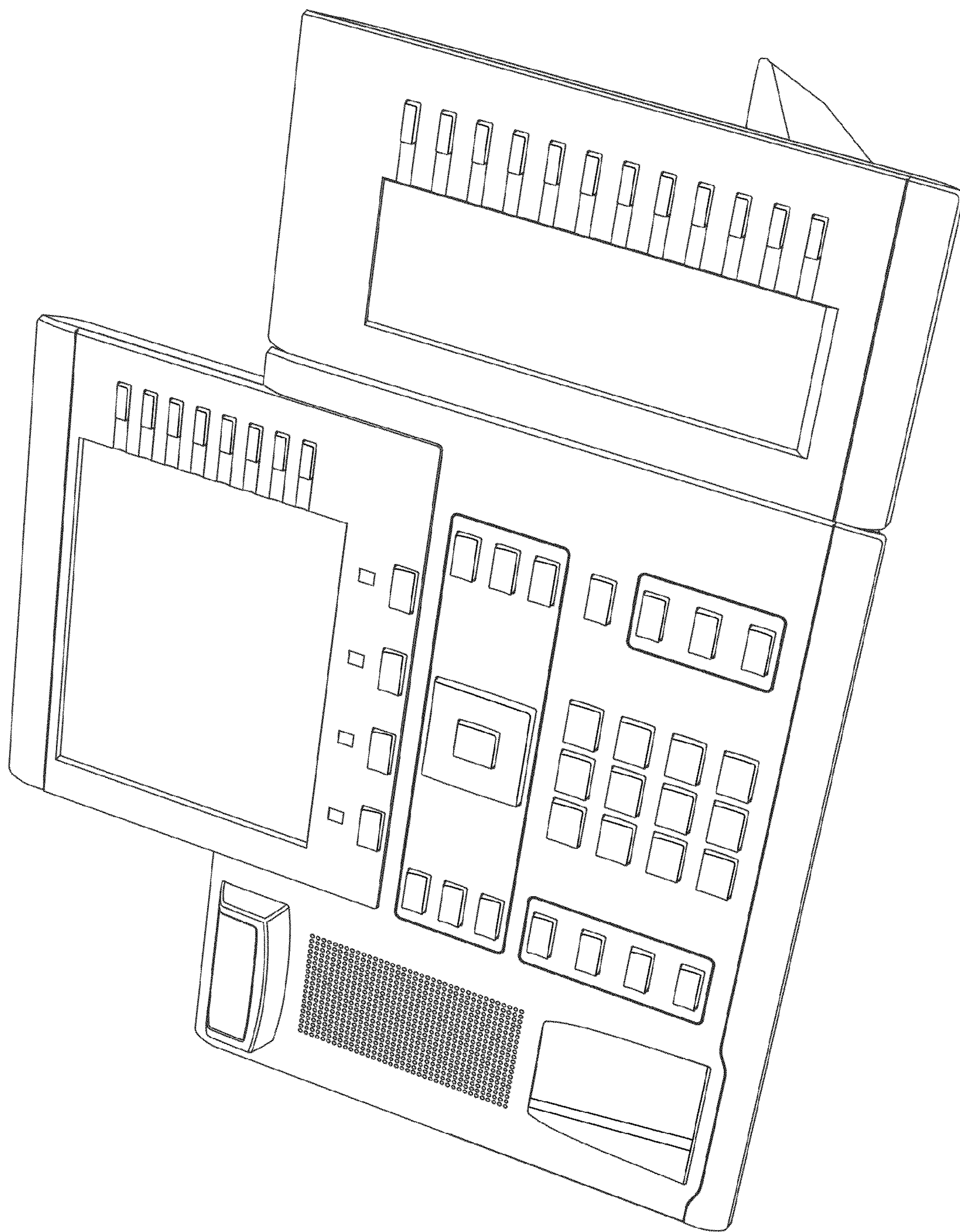


Fig. 1

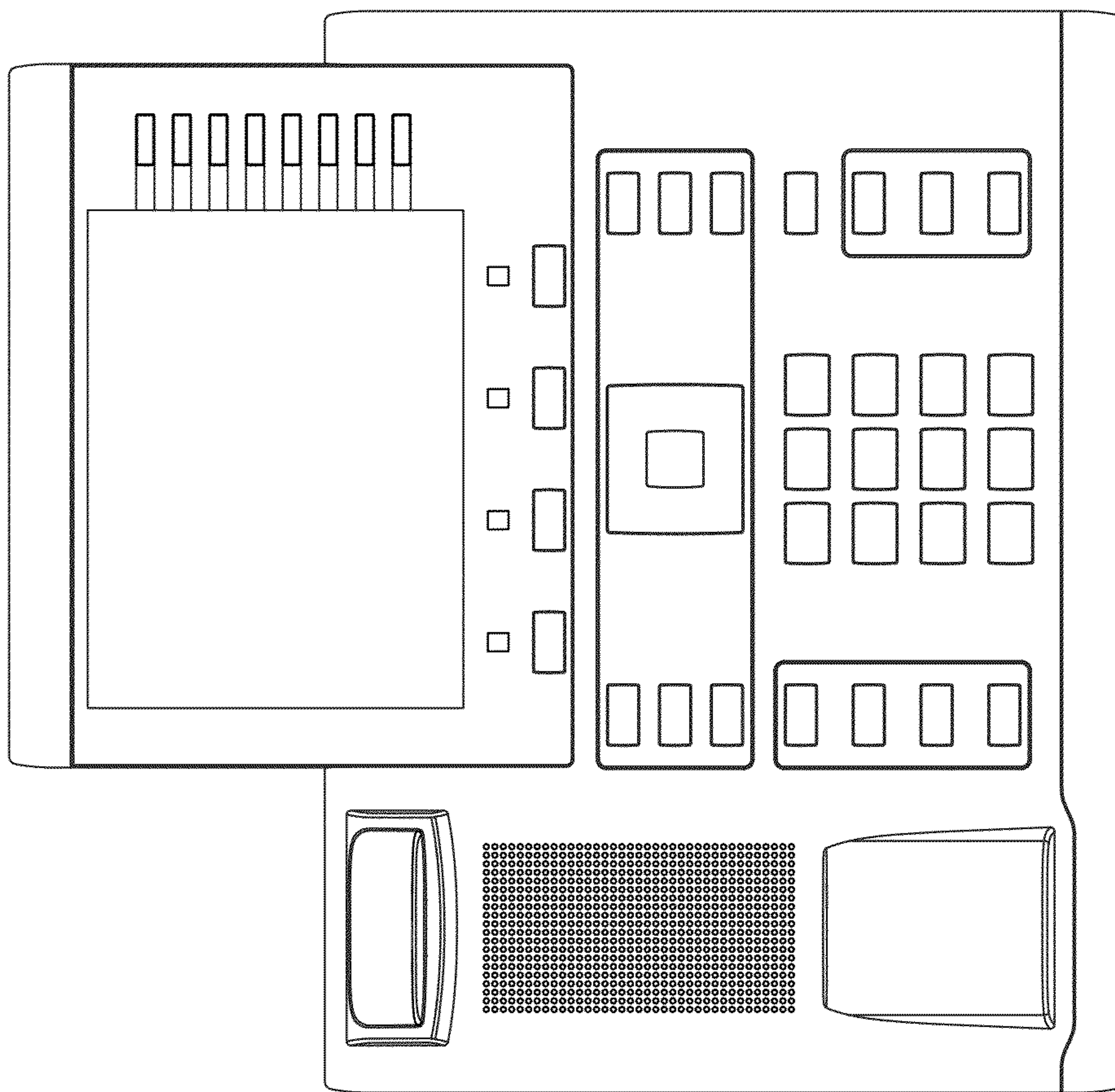


Fig. 2

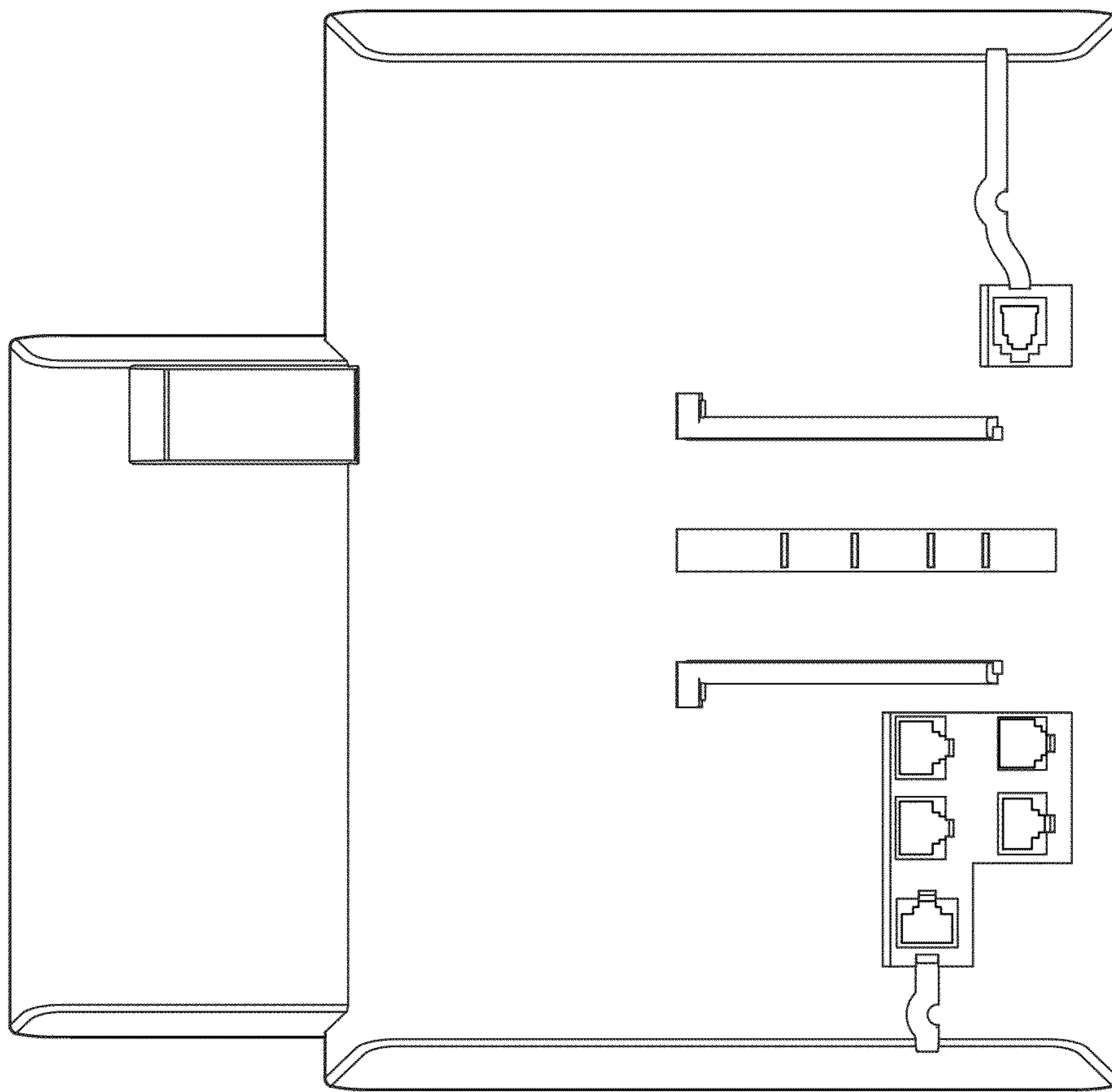


Fig. 3

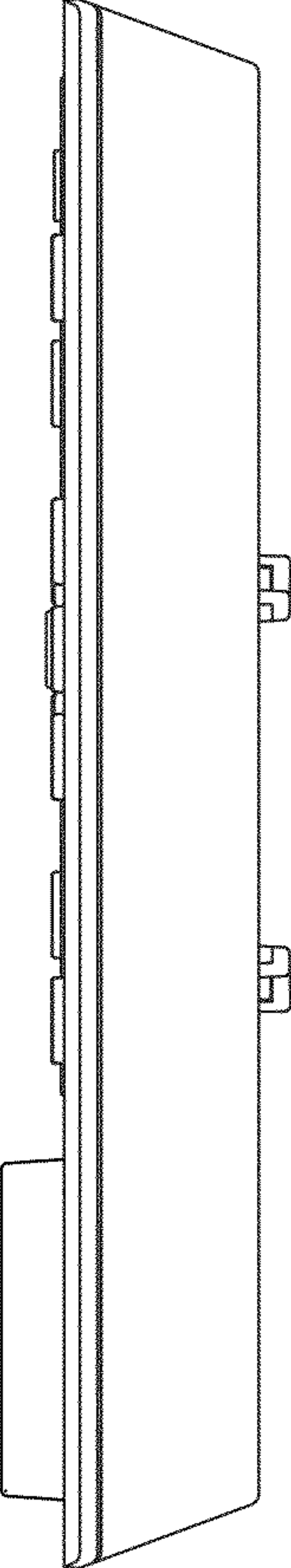


Fig. 4

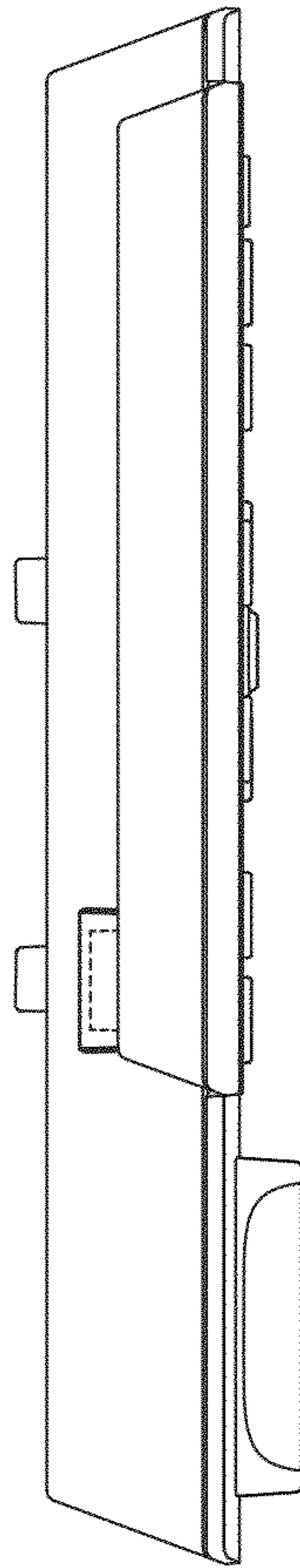


Fig. 5

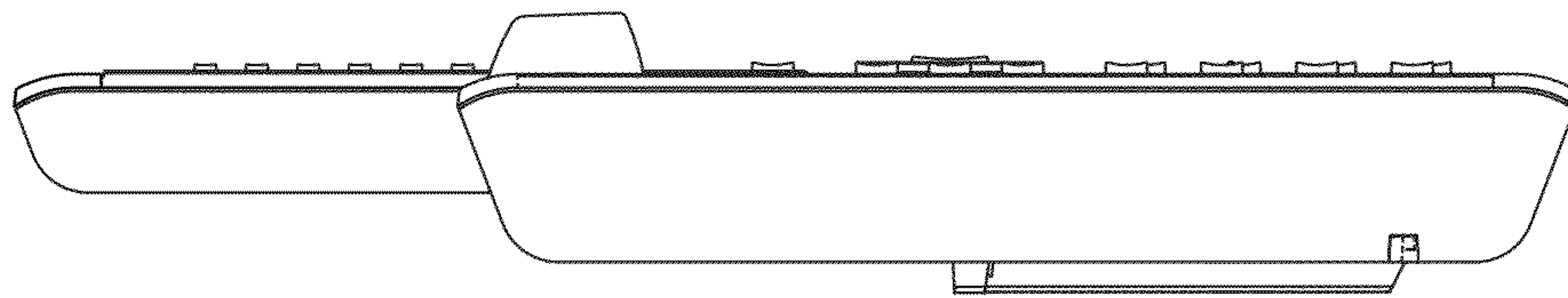


Fig. 6

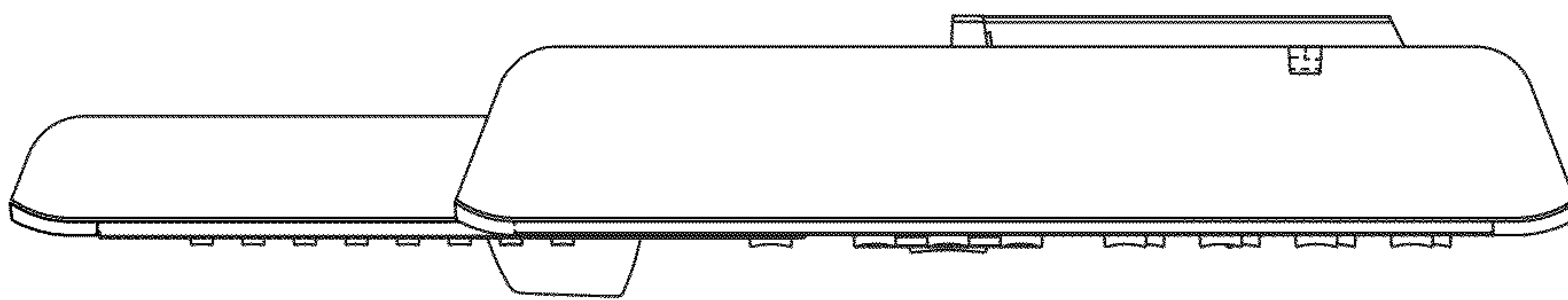


Fig. 7

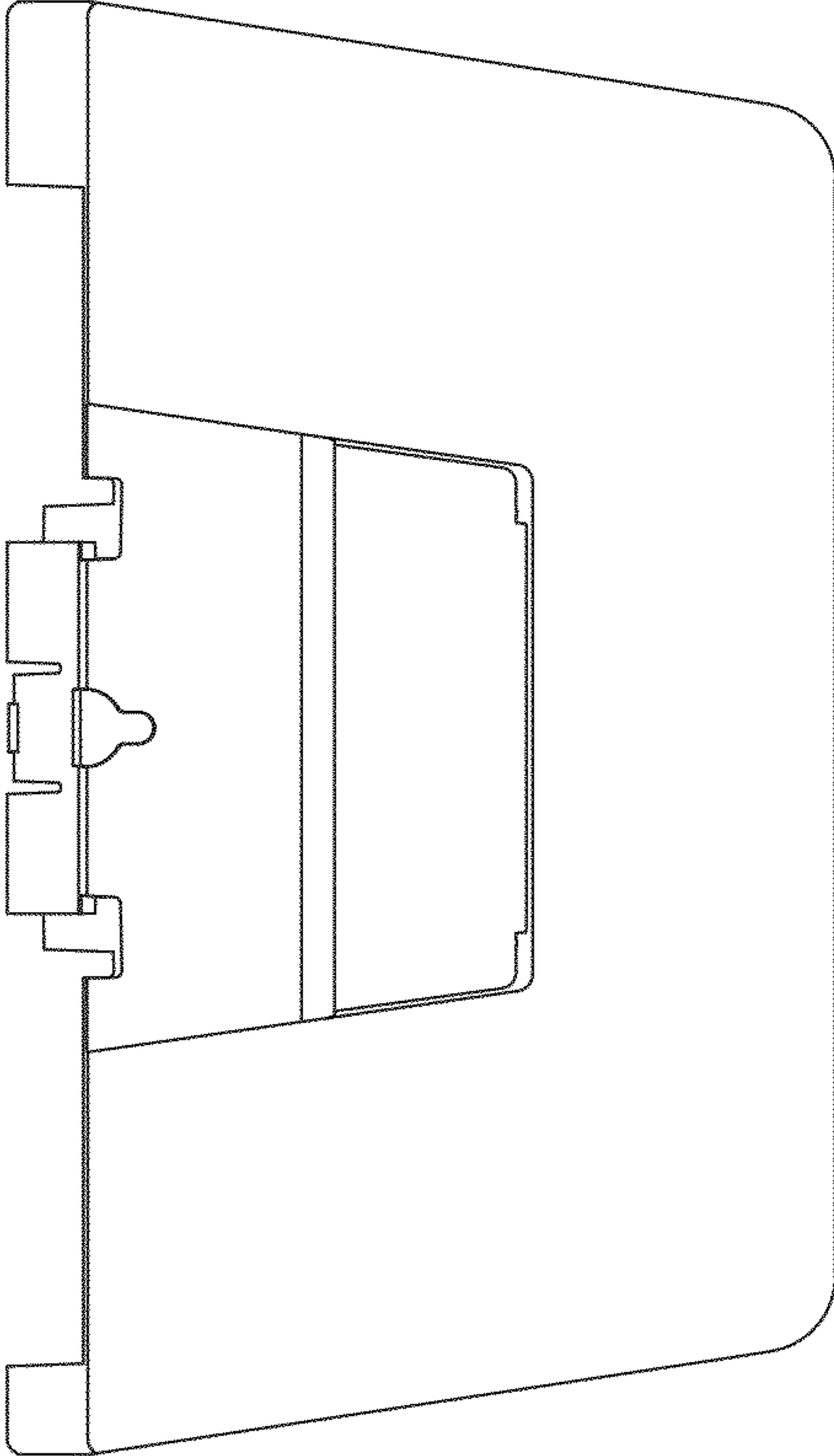


Fig. 8

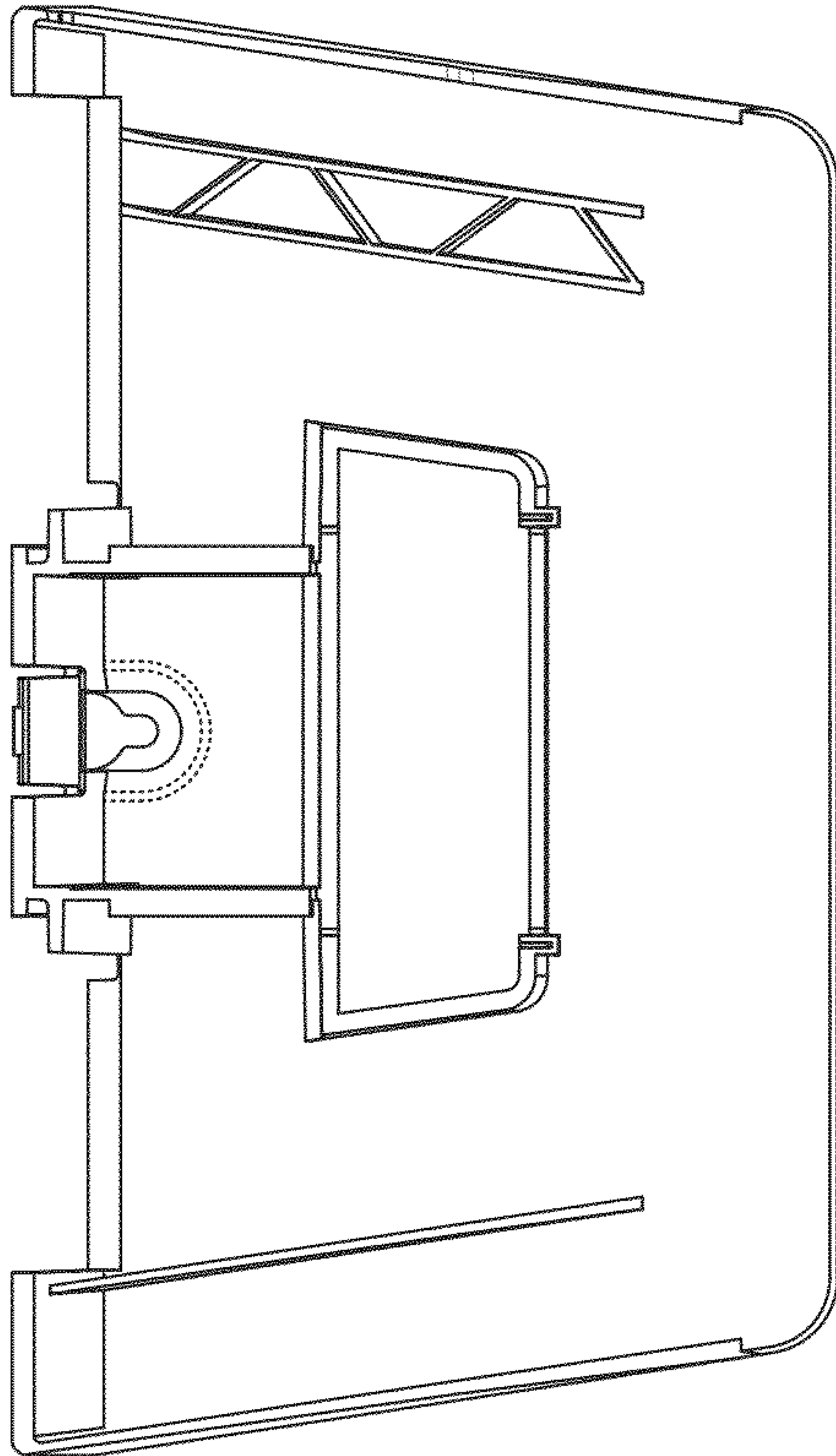


Fig. 9

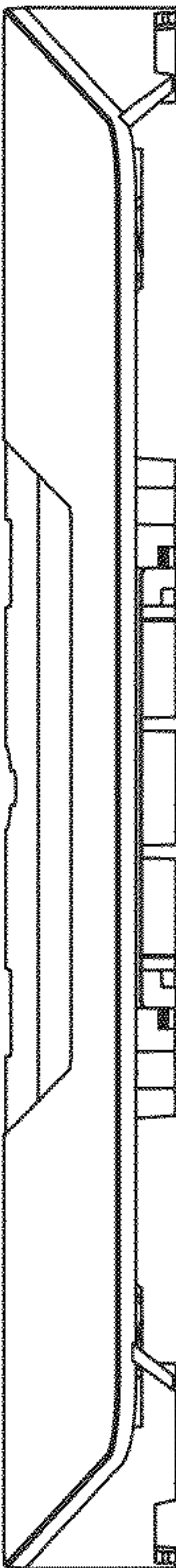


Fig. 10

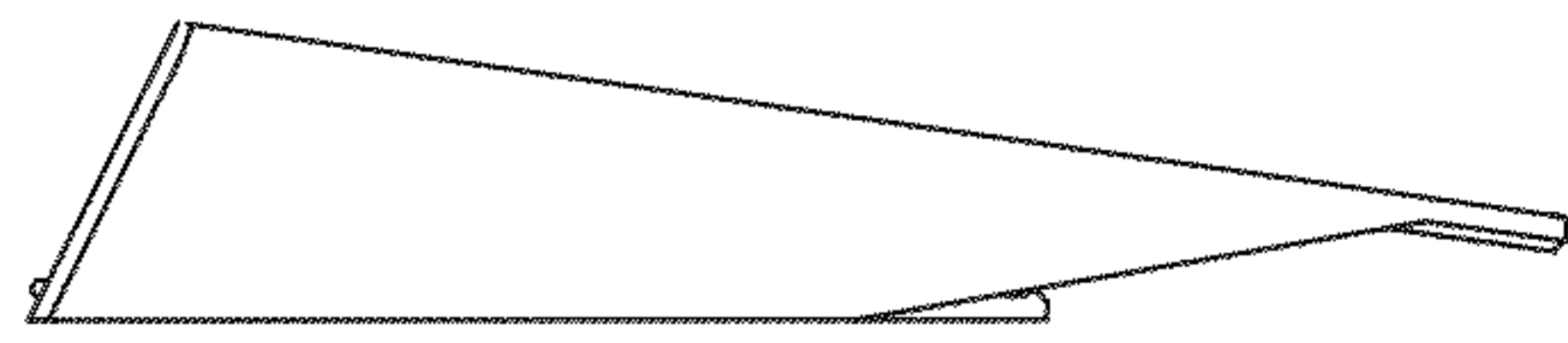


Fig. 12

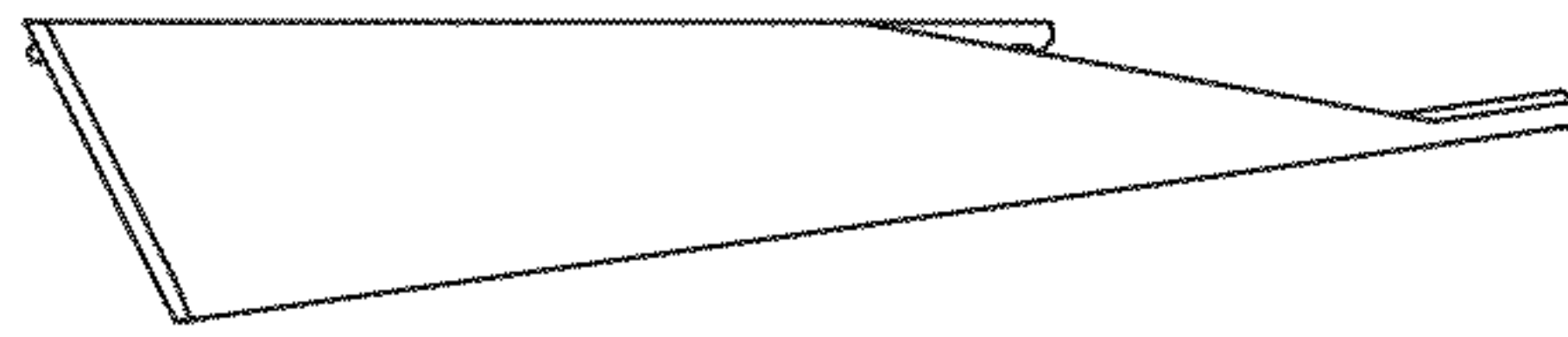


Fig. 13

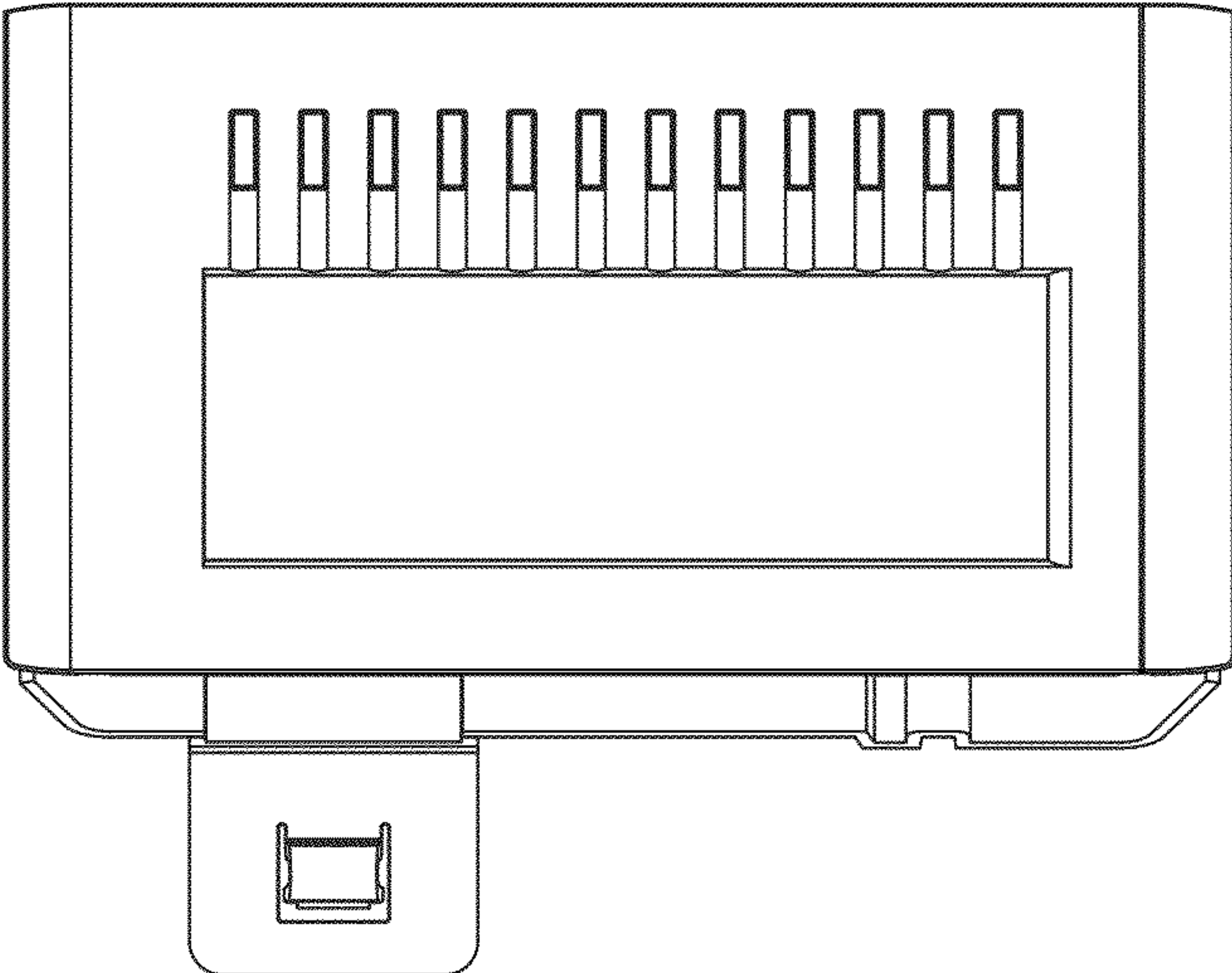


Fig. 14

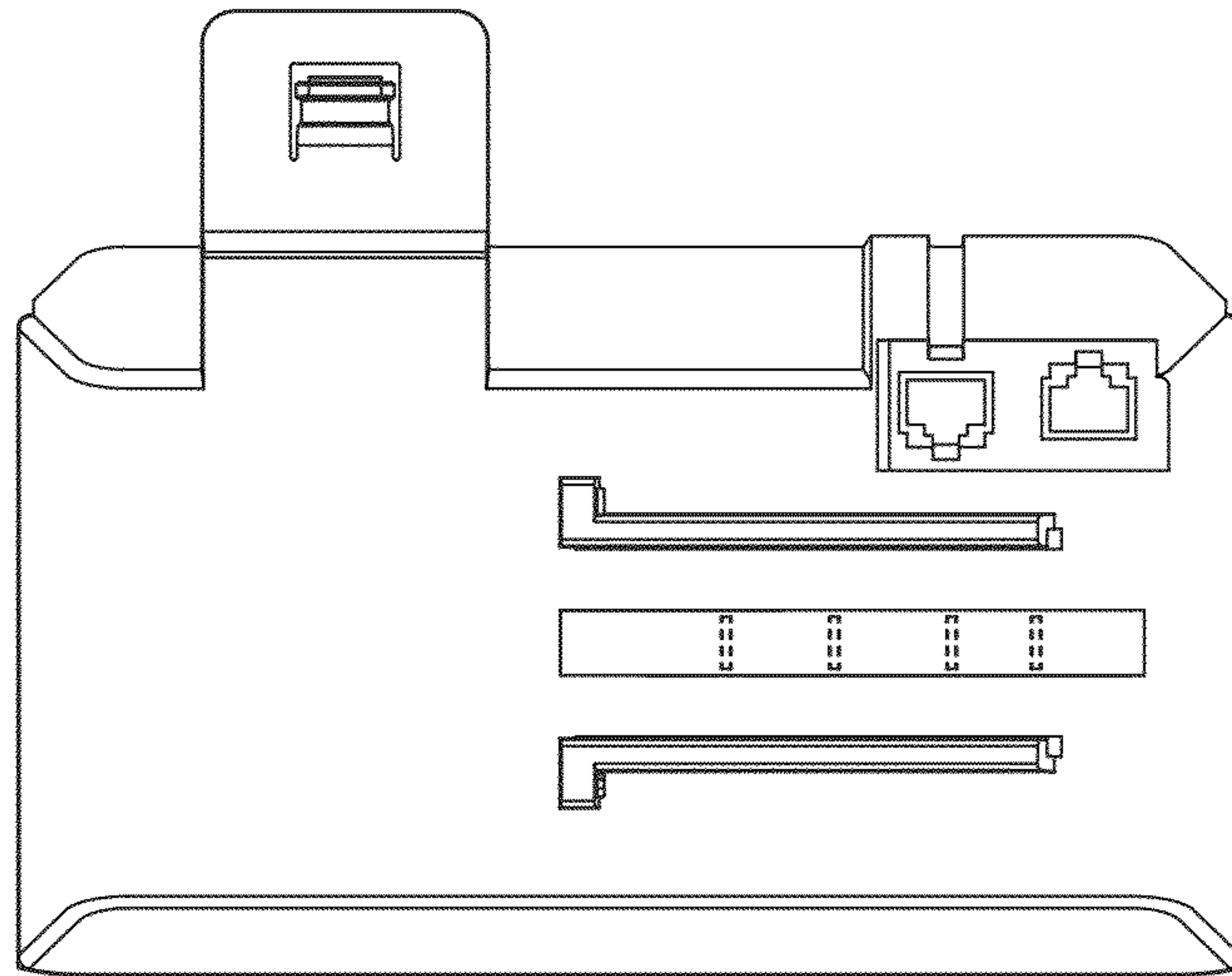


Fig. 15

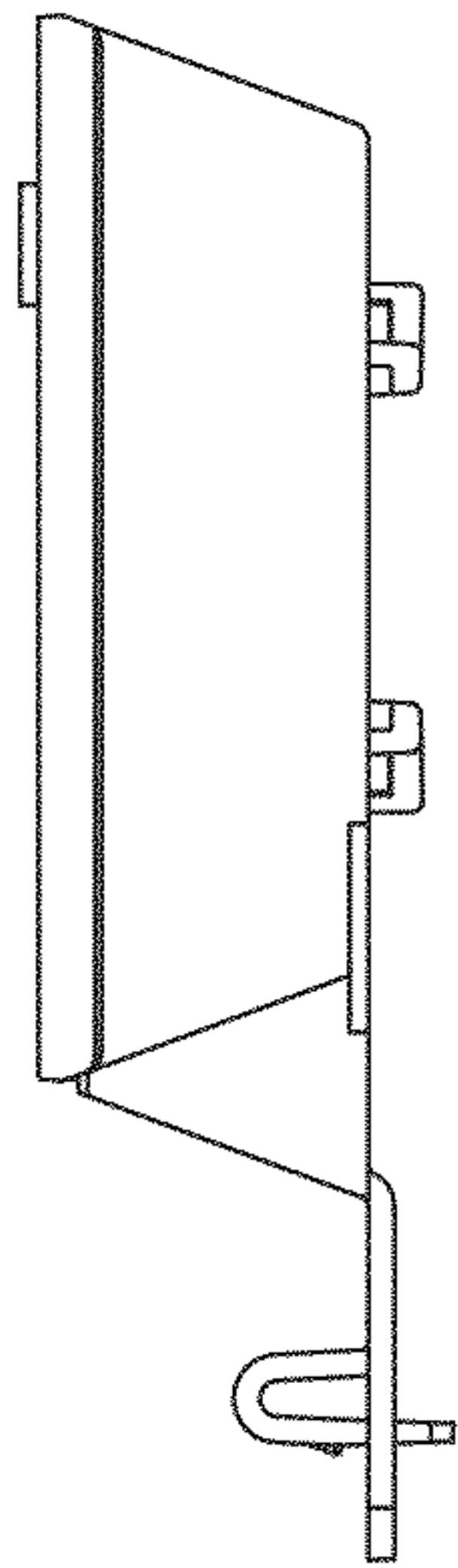


Fig. 16

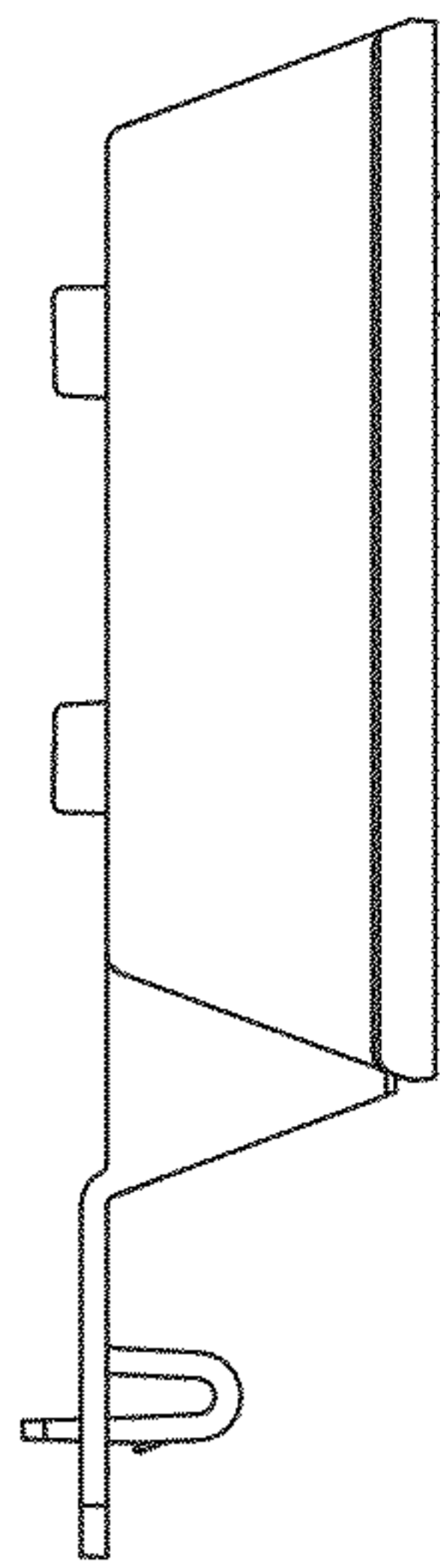


Fig. 17

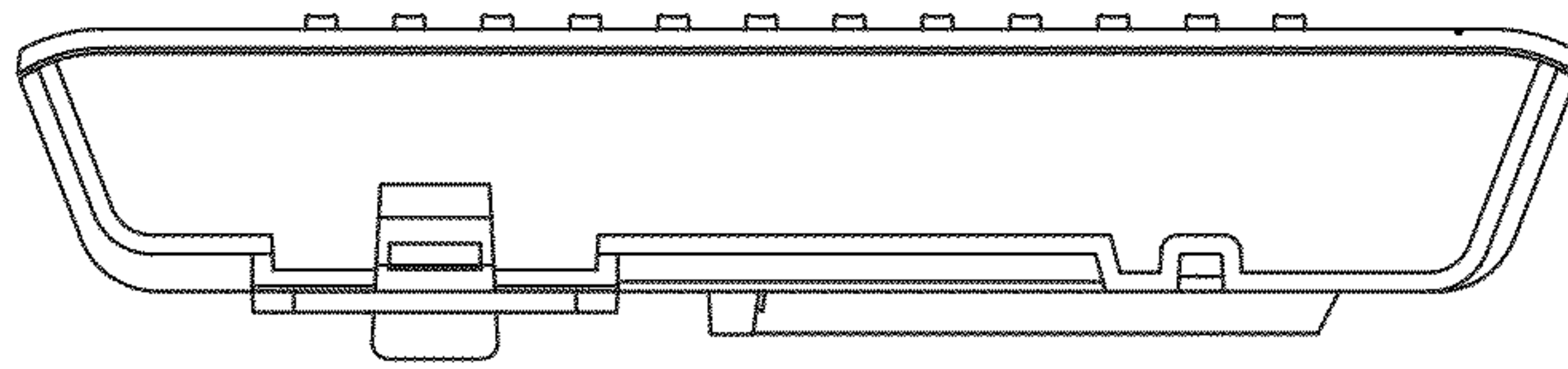


Fig. 18

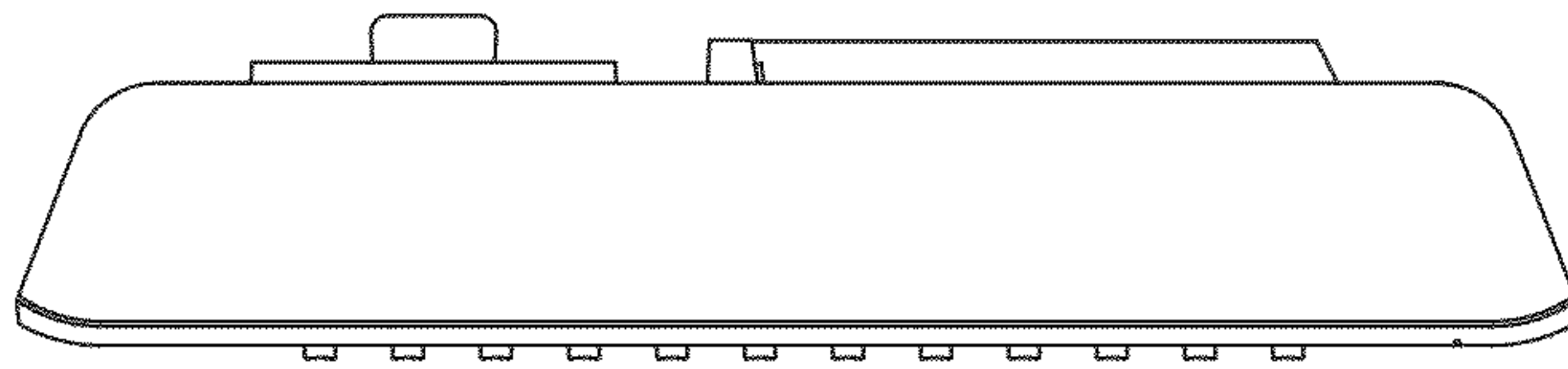


Fig. 19

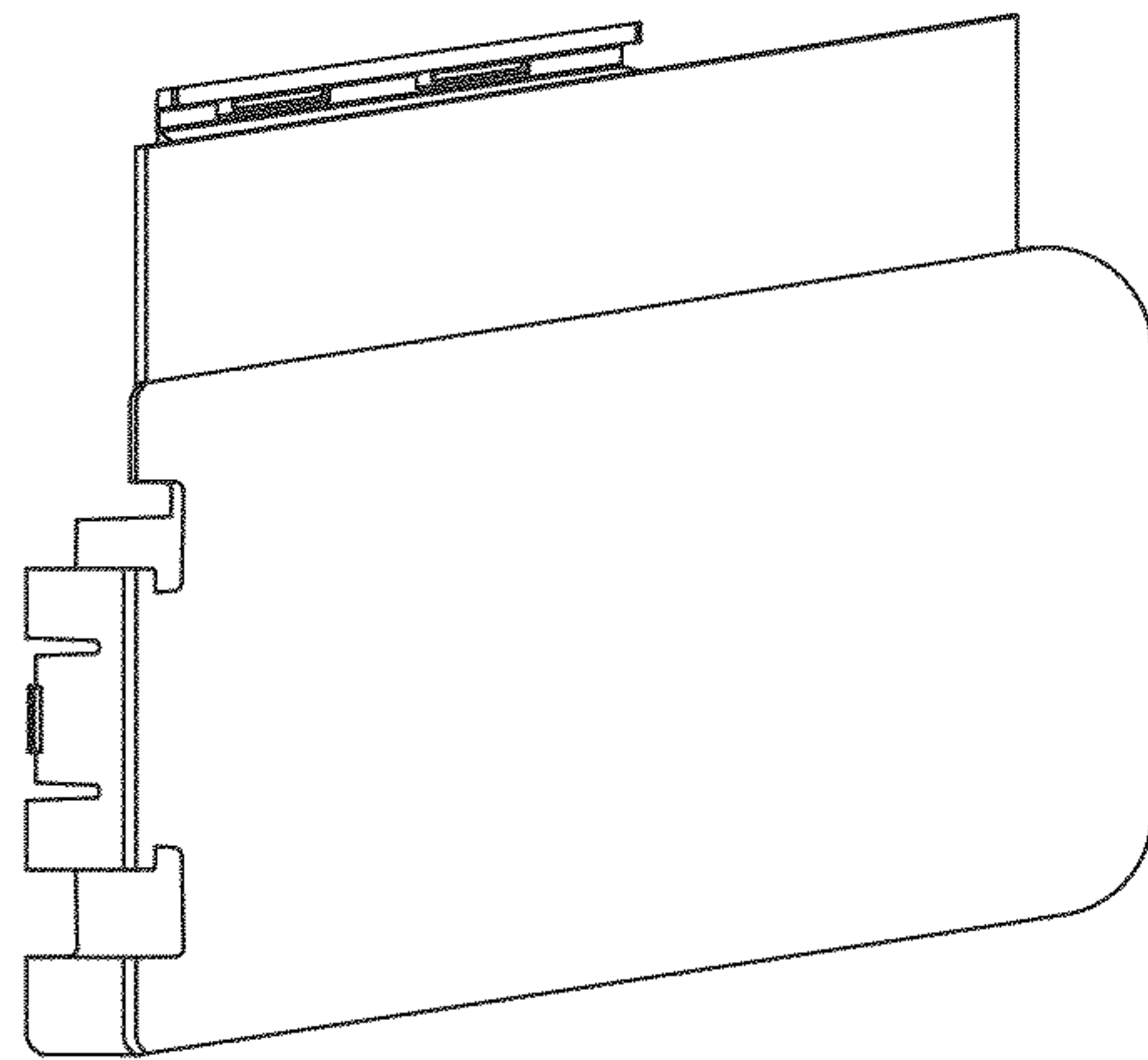


Fig. 20

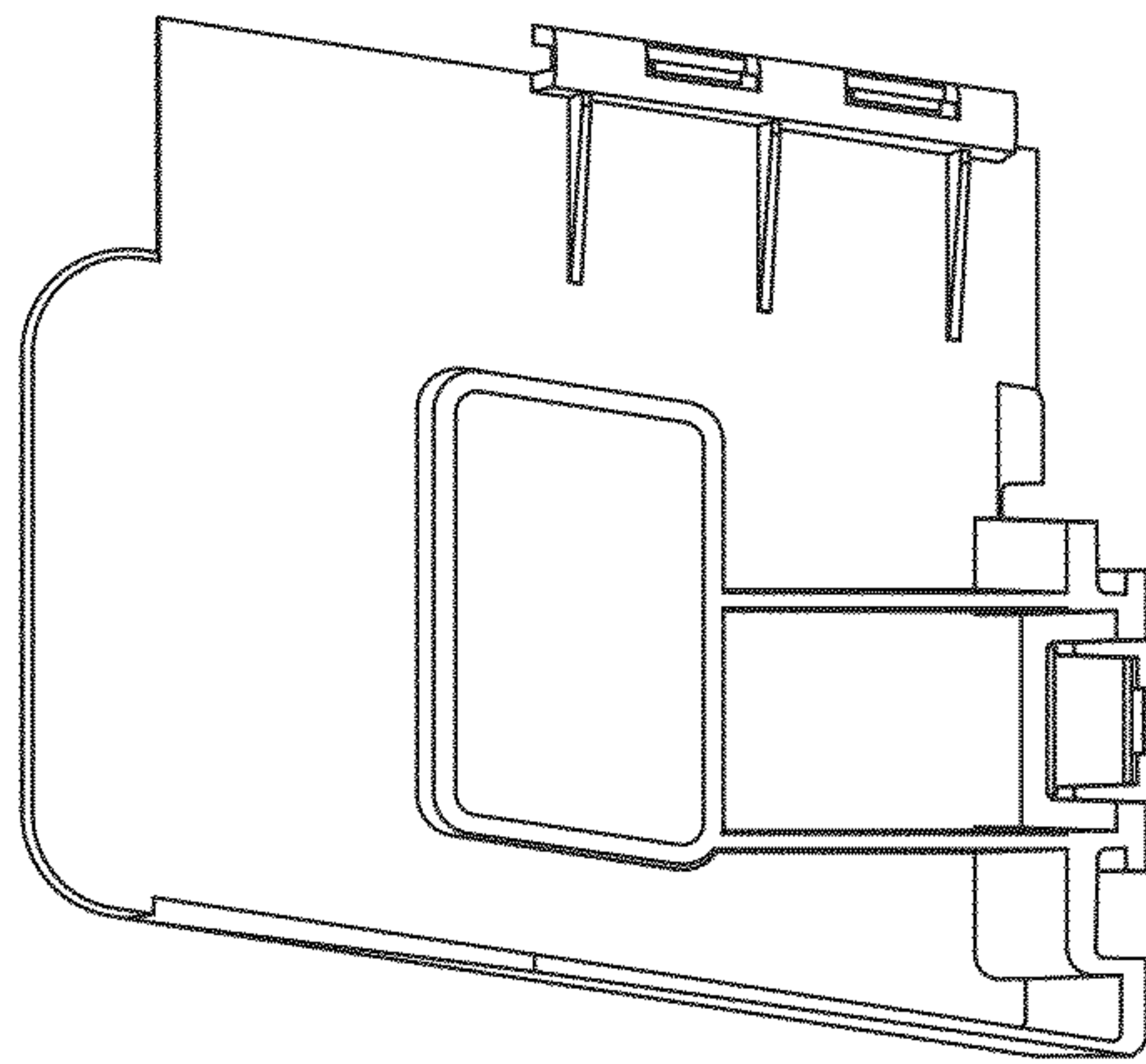


Fig. 21

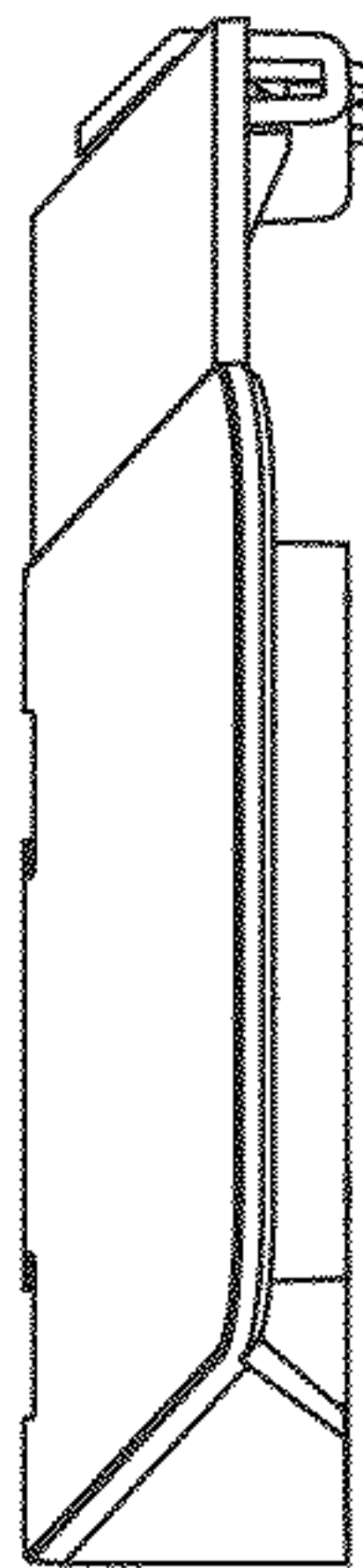


Fig. 22

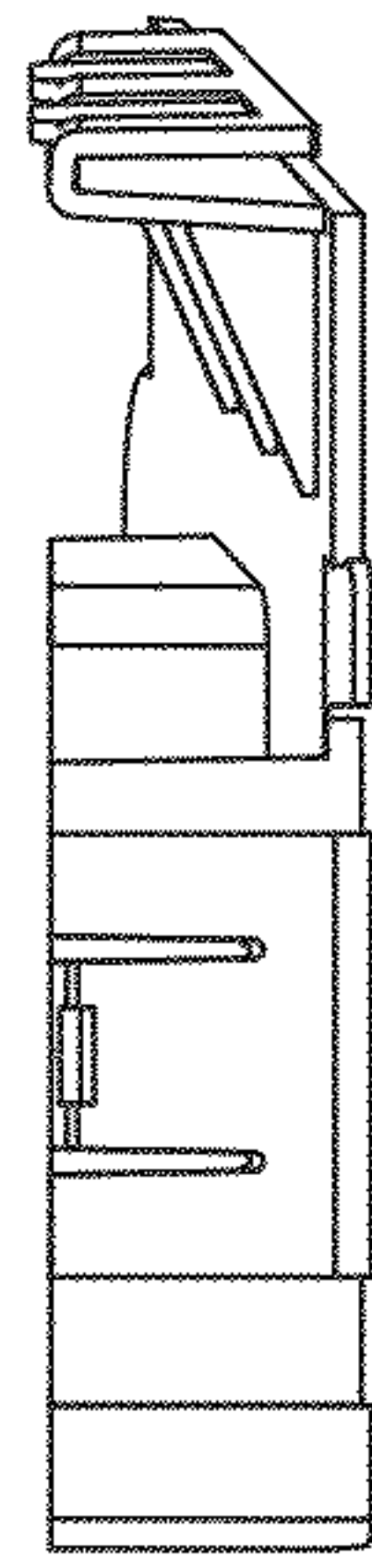


Fig. 23



Fig. 24

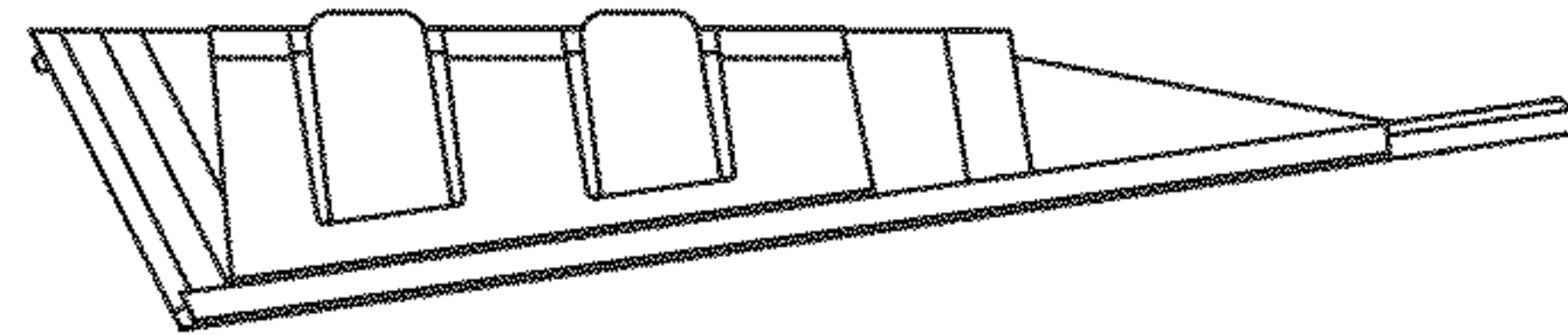


Fig. 25