



US00D739366S

(12) **United States Design Patent**
Schott et al.

(10) **Patent No.:** **US D739,366 S**
(45) **Date of Patent:** **** Sep. 22, 2015**

(54) **ELECTRONIC DEVICE WITH GRAPHICAL USER INTERFACE**

(71) Applicant: **Cottonwood Creek Technologies, Inc.**, Centennial, CO (US)

(72) Inventors: **Alan K. Schott**, Centennial, CO (US);
Dwight W. Kitchin, Parker, CO (US);
Stanley D. Hisel, Littleton, CO (US)

(73) Assignee: **Cottonwood Greek Technologies, Inc.**, Centennial, CO (US)

(**) Term: **14 Years**

(21) Appl. No.: **29/477,810**

(22) Filed: **Dec. 27, 2013**

(51) **LOC (10) Cl.** **14-03**

(52) **U.S. Cl.**
USPC **D14/130**

(58) **Field of Classification Search**

USPC D14/126, 129, 130, 140, 140.2, 142,
D14/144, 145, 149, 151, 356, 383-388, 467,
D14/502; D24/127, 128, 158, 160, 161,
D24/185, 186; D13/107, 108; 340/5.53;
379/201.12, 93.17, 428.04, 454;
320/110, 113, 114, 115; 345/14.05
CPC H04M 1/274525; H04M 1/27455;
H04M 1/02

See application file for complete search history.

(56) **References Cited**

U.S. PATENT DOCUMENTS

D195,408 S * 6/1963 Prescott D14/130
4,577,068 A * 3/1986 Kelly et al. 379/428.04
D283,614 S * 4/1986 Somaschini D14/130
D308,970 S * 7/1990 Takai et al. D14/130
5,077,784 A * 12/1991 Fujita et al. 348/14.05
D323,657 S * 2/1992 Danielson et al. D14/151
5,170,427 A * 12/1992 Guichard et al. 348/14.05
D333,304 S * 2/1993 Taniuchi et al. D14/467

(Continued)

OTHER PUBLICATIONS

AT&T "Noteworthy" telephone, c. 1970, 2 pgs.

(Continued)

Primary Examiner — Susan Bennett Hattan

Assistant Examiner — Marie Fast Horse

(74) *Attorney, Agent, or Firm* — Merchant & Gould P.C.

(57) **CLAIM**

The ornamental design for an electronic device with graphical user interface, as shown.

DESCRIPTION

FIG. 1 is a perspective view of an electronic device with graphical user interface in a perspective view with environmental structure.

FIG. 2 is a perspective view of the electronic device with graphical user interface of FIG. 1.

FIG. 3 is a front view of the electronic device with graphical user interface of FIG. 1.

FIG. 4 is a rear view of the electronic device with graphical user interface of FIG. 1.

FIG. 5 is a right side view of the electronic device with graphical user interface of FIG. 1.

FIG. 6 is a left side view of the electronic device with graphical user interface of FIG. 1.

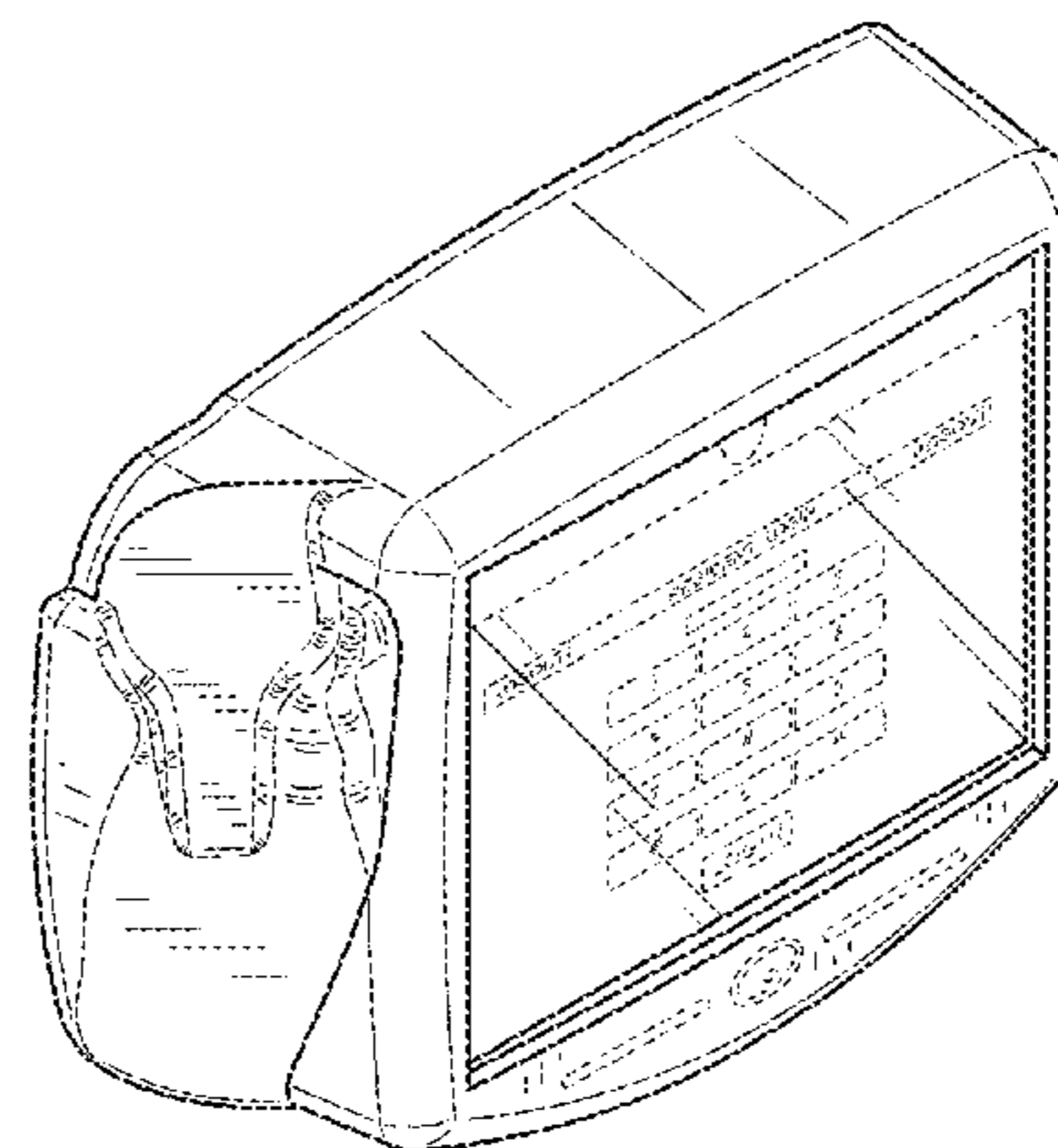
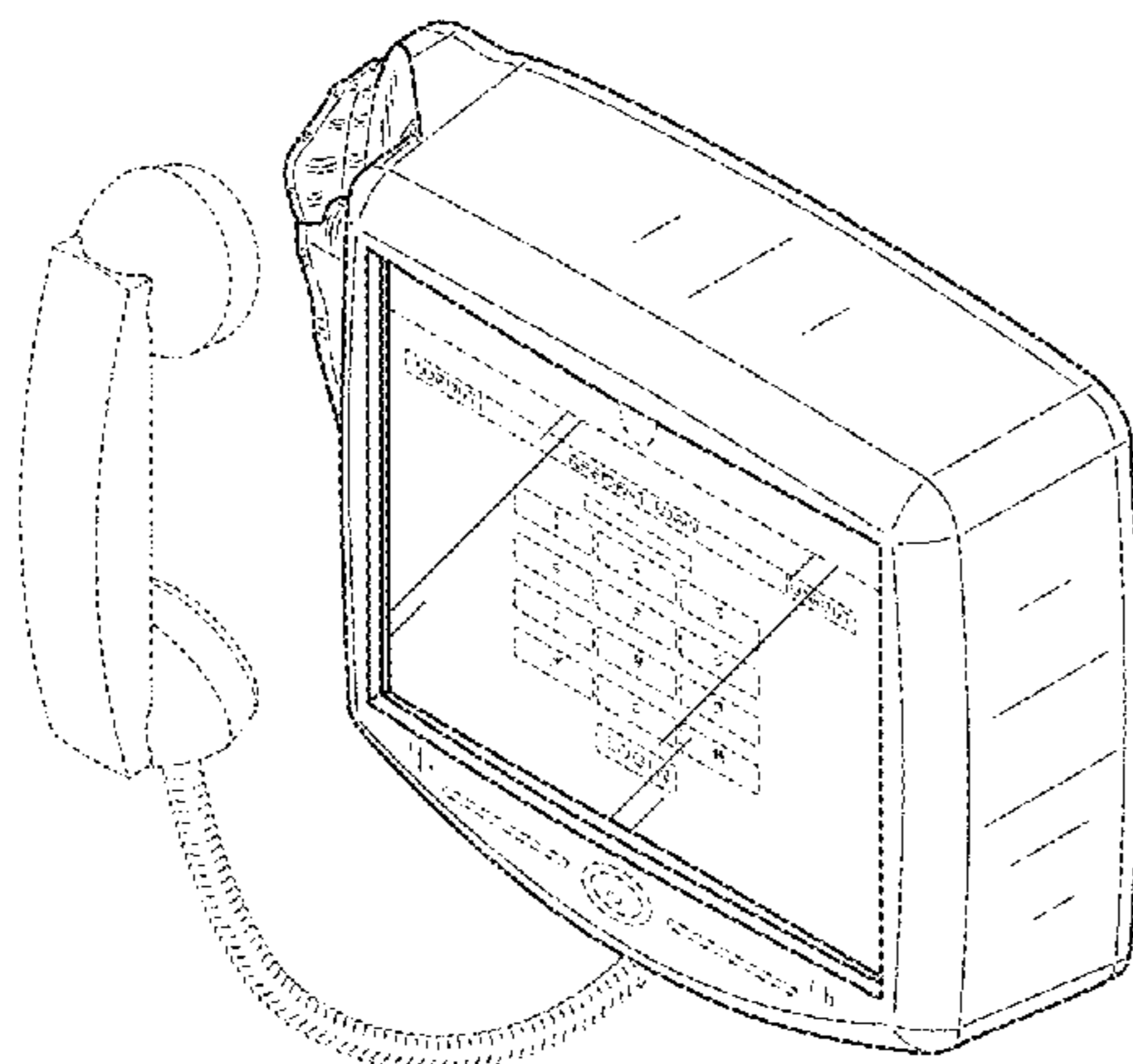
FIG. 7 is a top view of the electronic device with graphical user interface of FIG. 1.

FIG. 8 is a bottom view of the electronic device with graphical user interface of FIG. 1; and,

FIG. 9 is a front view of the electronic device with graphical user interface of FIG. 1 with environmental structure.

The broken lines in the drawings showing the handset and cord in FIGS. 1 and 9 depict environmental structure; while the broken lines showing the top portion of the display, the graphical user interface on the display in FIG. 1, and the features below the display depict parts of the electronic device with graphical user interface. All areas shown in broken lines form no part of the claimed design.

1 Claim, 6 Drawing Sheets



(56)

References Cited

U.S. PATENT DOCUMENTS

5,303,300 A * 4/1994 Eckstein 379/102.06
 D383,688 S * 9/1997 Abrams D14/159
 D389,837 S * 1/1998 Summers et al. D14/194
 D402,977 S * 12/1998 Lytel D14/130
 D411,194 S * 6/1999 Wilson D14/130
 D411,987 S * 7/1999 Mizusugi et al. D14/329
 D425,053 S * 5/2000 Clark et al. D14/130
 D445,190 S * 7/2001 Byler et al. D24/165
 D458,914 S * 6/2002 Devane et al. D14/146
 D459,331 S * 6/2002 Solomita et al. D14/144
 D463,780 S * 10/2002 Hung D14/130
 D472,226 S * 3/2003 De Saulles D14/145
 6,574,488 B2 * 6/2003 Oba et al. 455/566
 D478,881 S * 8/2003 O'Leary et al. D14/130
 D479,517 S * 9/2003 Weidinger D14/151
 D489,342 S * 5/2004 Campbell et al. D14/130
 D493,432 S * 7/2004 Hesse et al. D14/129
 D494,589 S * 8/2004 Liljestrang et al. D14/383
 D512,151 S * 11/2005 Ward et al. D24/186
 D514,565 S * 2/2006 Haygood D14/371
 D520,972 S * 5/2006 Hesse et al. D14/129
 D526,626 S * 8/2006 Imboden et al. D14/126
 D532,761 S * 11/2006 Hoehn et al. D14/126
 D556,180 S * 11/2007 Udagawa et al. D14/151
 D557,351 S * 12/2007 Arena D21/483
 D559,210 S * 1/2008 Brown et al. D14/130

D559,211 S * 1/2008 Brown et al. D14/130
 D563,337 S * 3/2008 Bloem D14/126
 D569,820 S * 5/2008 Rinaldi et al. D14/130
 D585,397 S * 1/2009 Hwang D14/130
 D604,258 S * 11/2009 Rinaldi et al. D14/130
 D605,163 S * 12/2009 Hidaka D14/140.2
 D609,662 S * 2/2010 Noreng et al. D14/130
 D615,066 S * 5/2010 Huang et al. D14/142
 D624,654 S * 9/2010 Shimizu D24/186
 D635,109 S * 3/2011 Fantaay D14/129
 D639,268 S * 6/2011 DeLorenzo et al. D14/142
 D658,627 S * 5/2012 Katori D14/142
 D673,952 S * 1/2013 Toda et al. D14/383
 D686,184 S * 7/2013 Takahata et al. D14/151
 D700,900 S * 3/2014 Khadivar D14/129
 D711,003 S * 8/2014 Chen et al. D24/186
 2012/0262271 A1 10/2012 Torgersrud et al.
 2014/0201414 A1 * 7/2014 Keegan et al. 710/303

OTHER PUBLICATIONS

AT&T "Public Phone 2000", c. 1991, 2 pgs.
 Telmate WA Co 3094, picture available online Nov. 29, 2013, 1 pg.
 Telmate T-Phone, picture available online Jul. 13, 2013, 1 pg.
 Telecorrections terminal, picture available online Nov. 29, 2013, 1 pg.
 "Primonics" device, c. 2006, 1 pg.
 "Aethra phone", c. 2008, 1 pg.

* cited by examiner

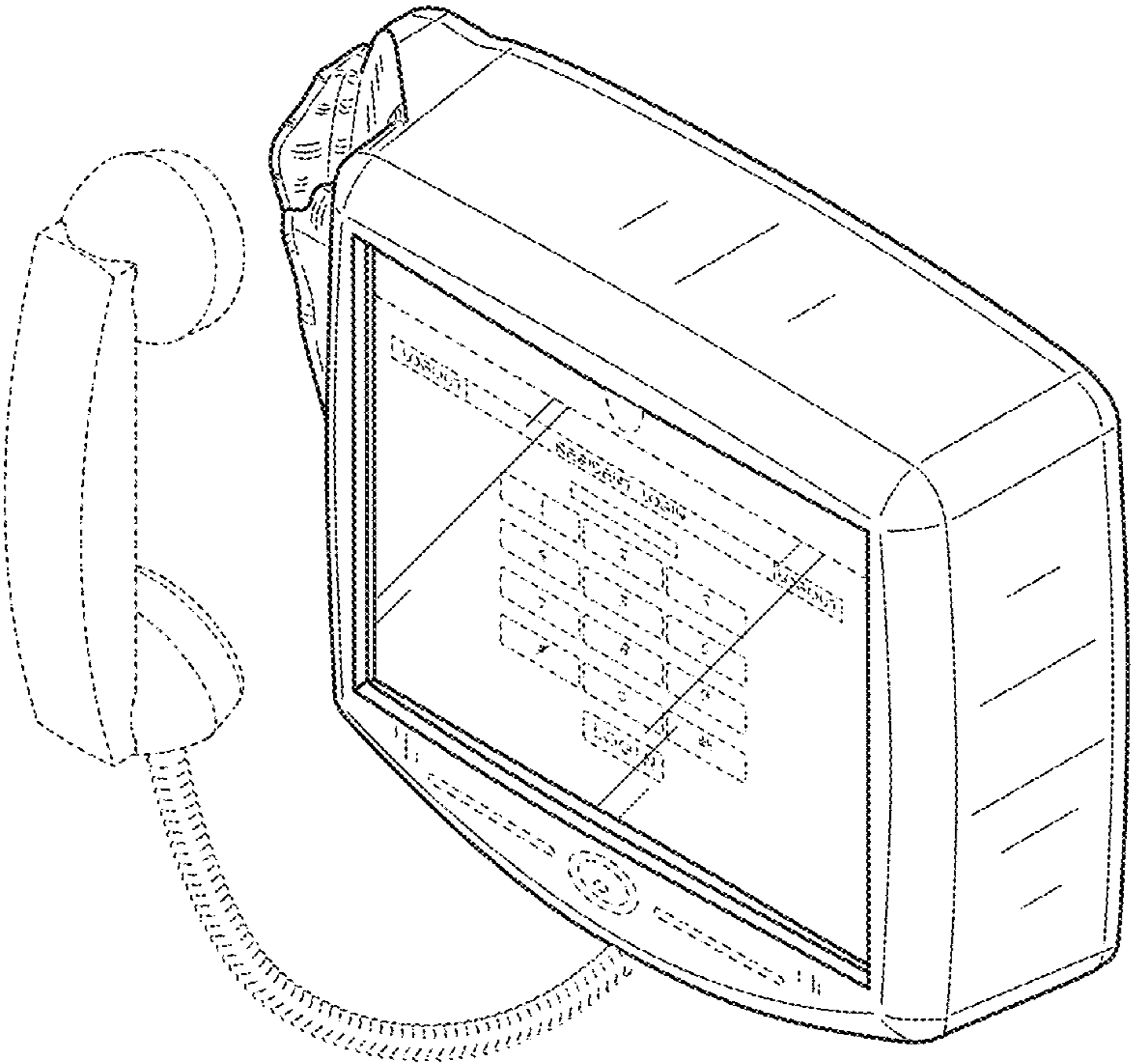


FIG.1

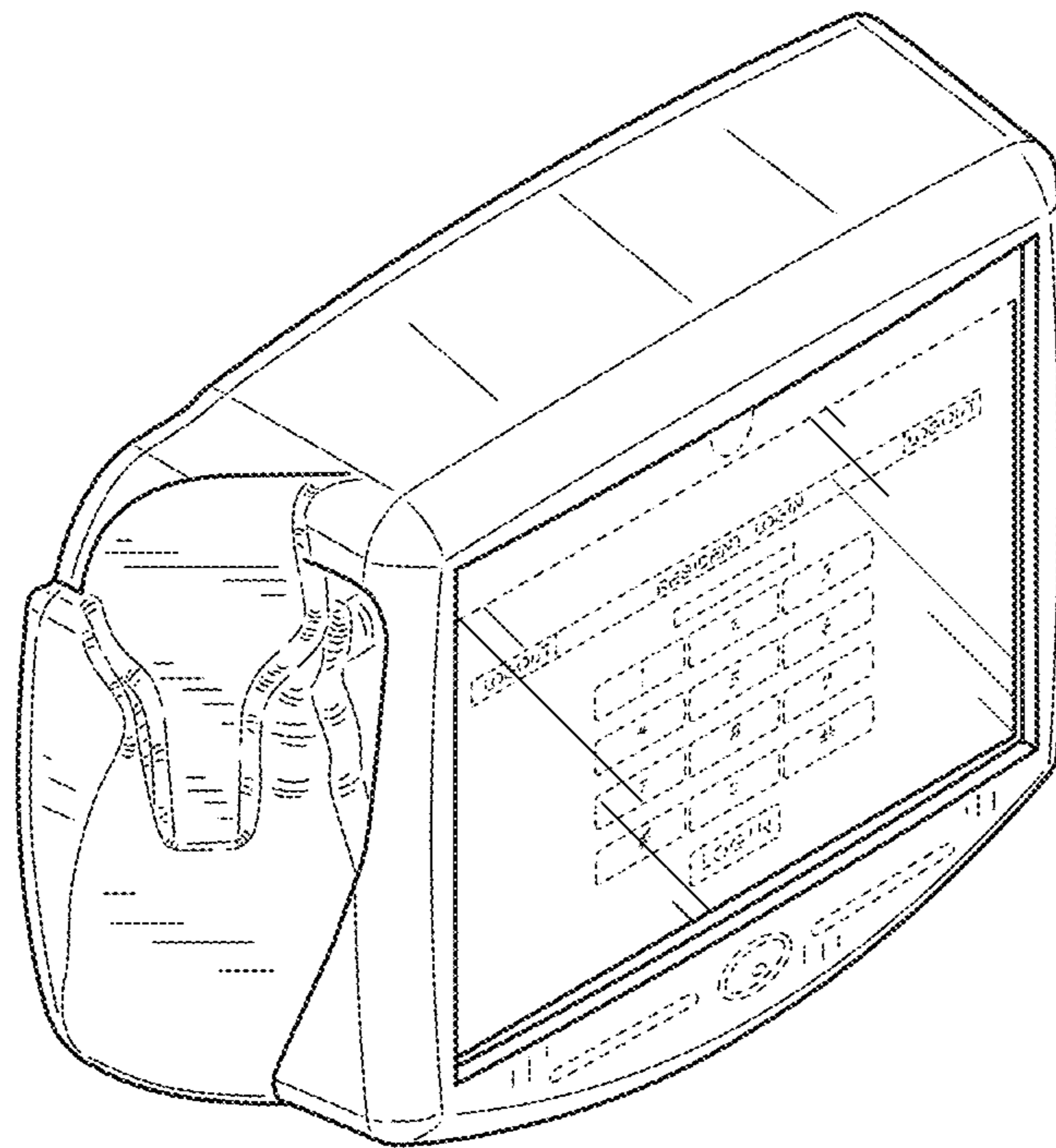


FIG.2

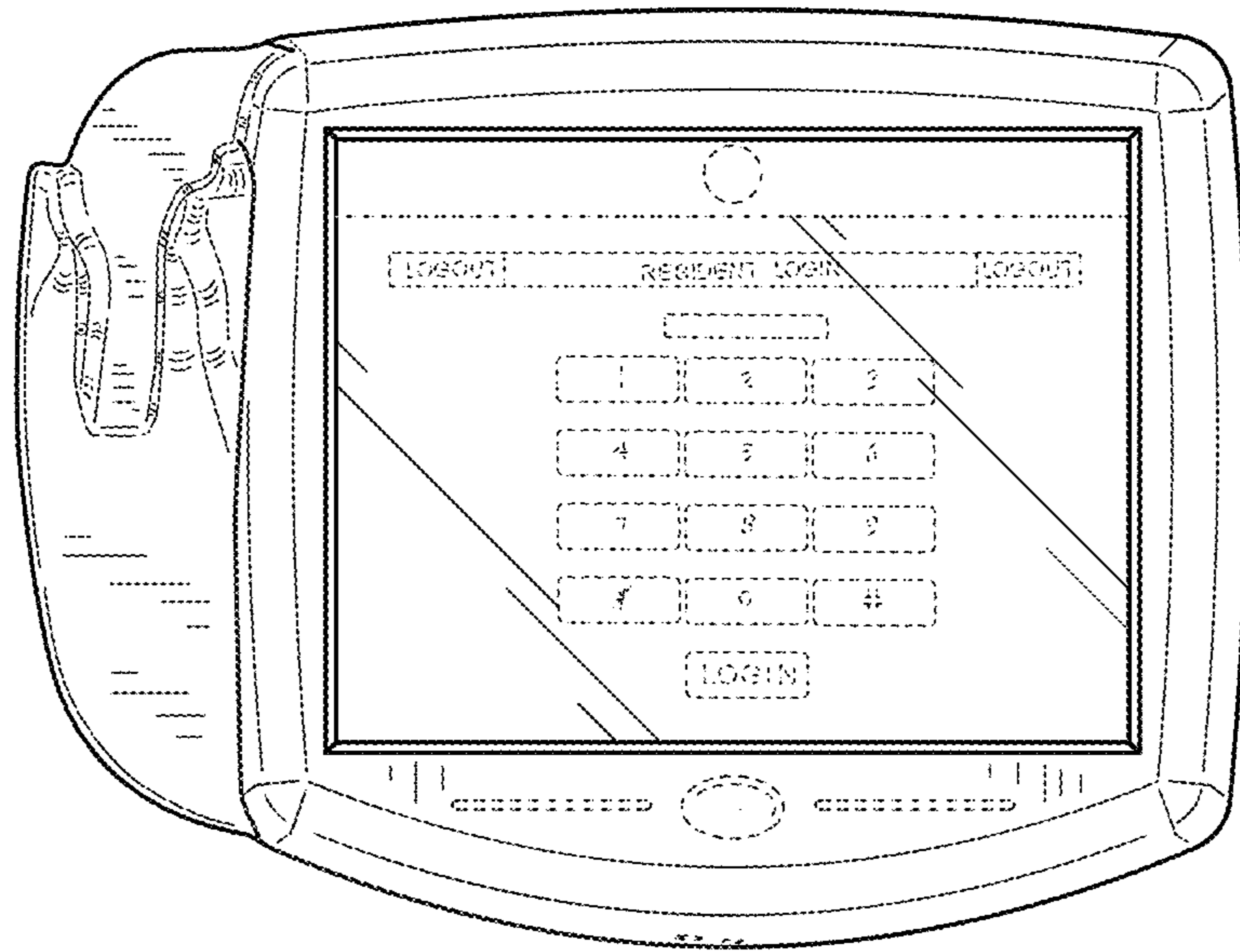


FIG.3

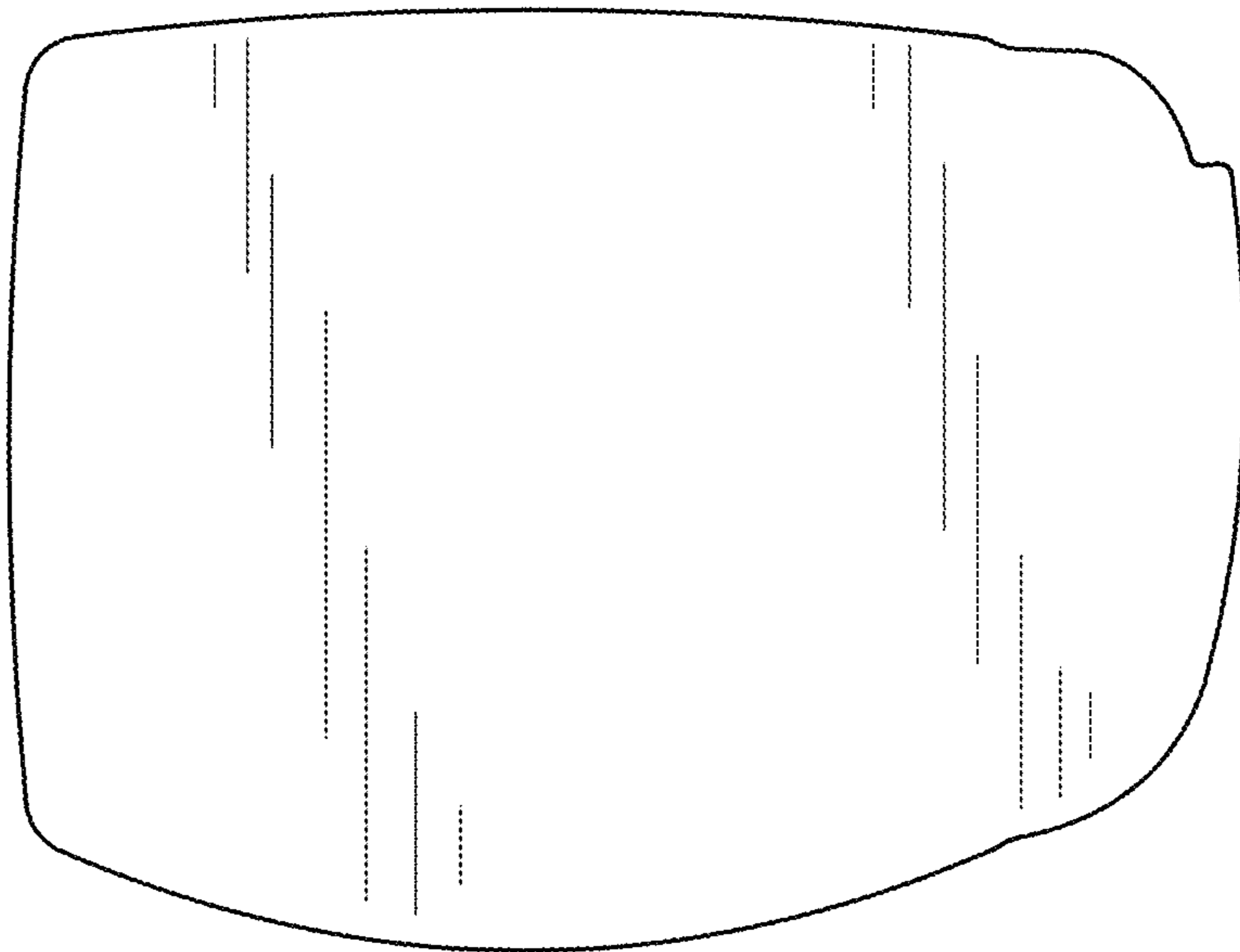


FIG.4

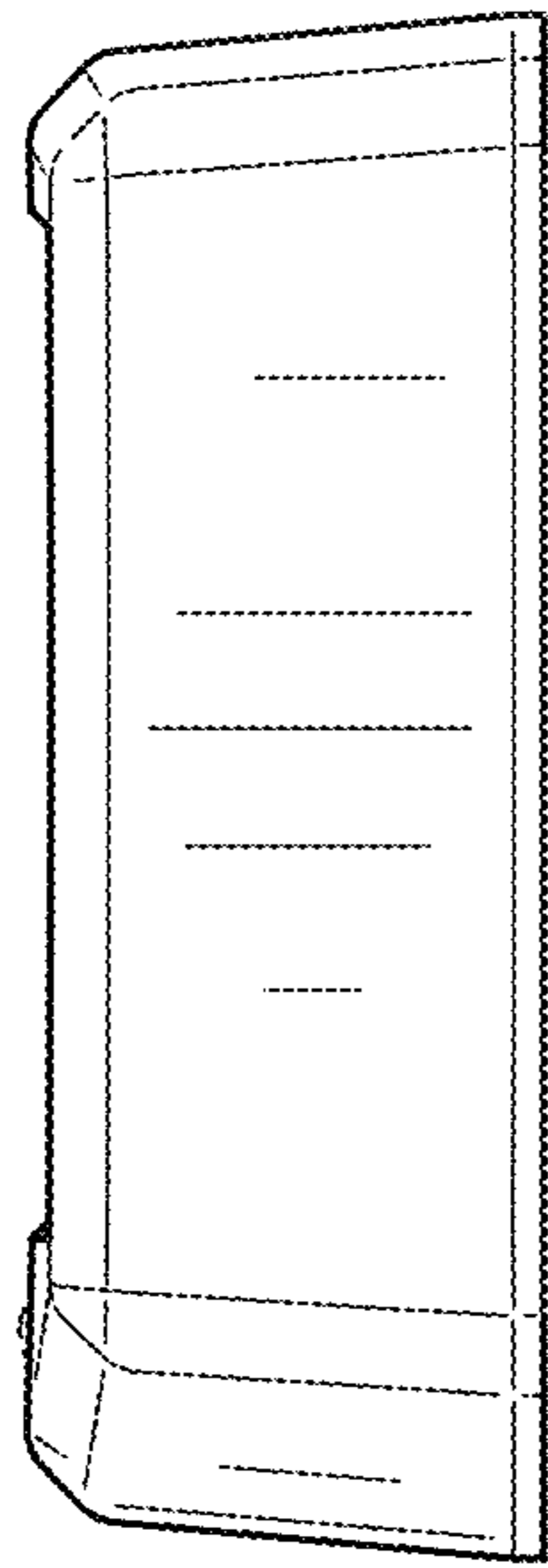


FIG.5

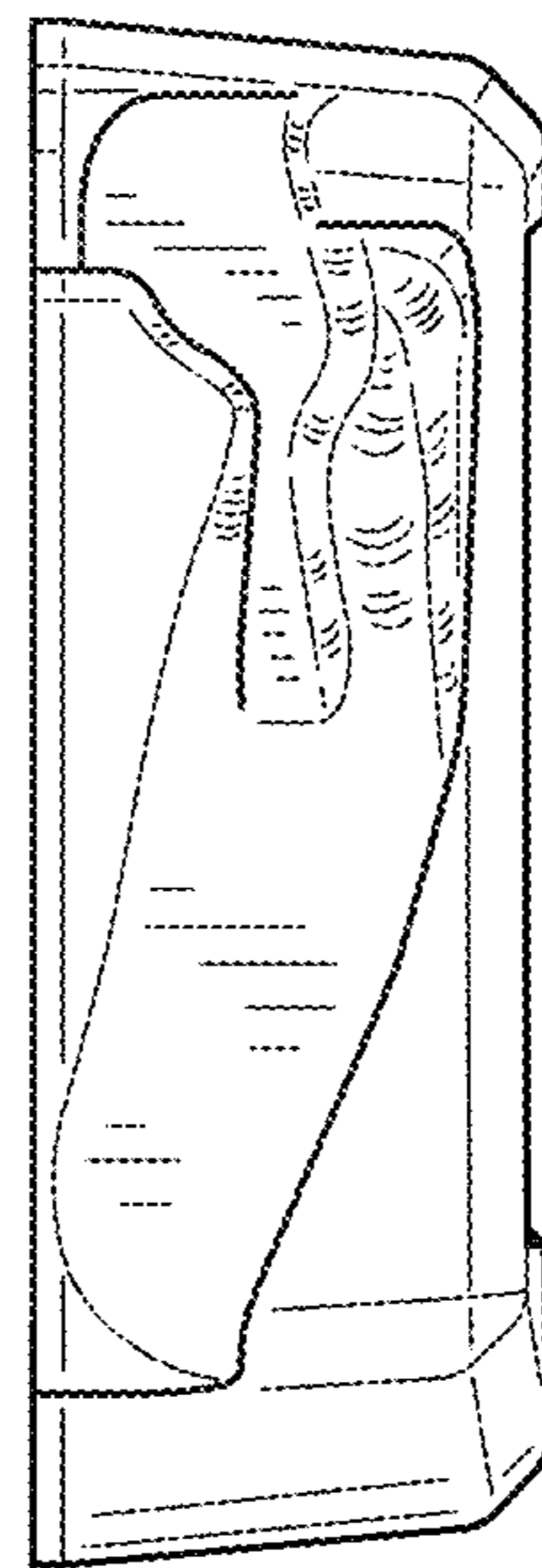


FIG.6

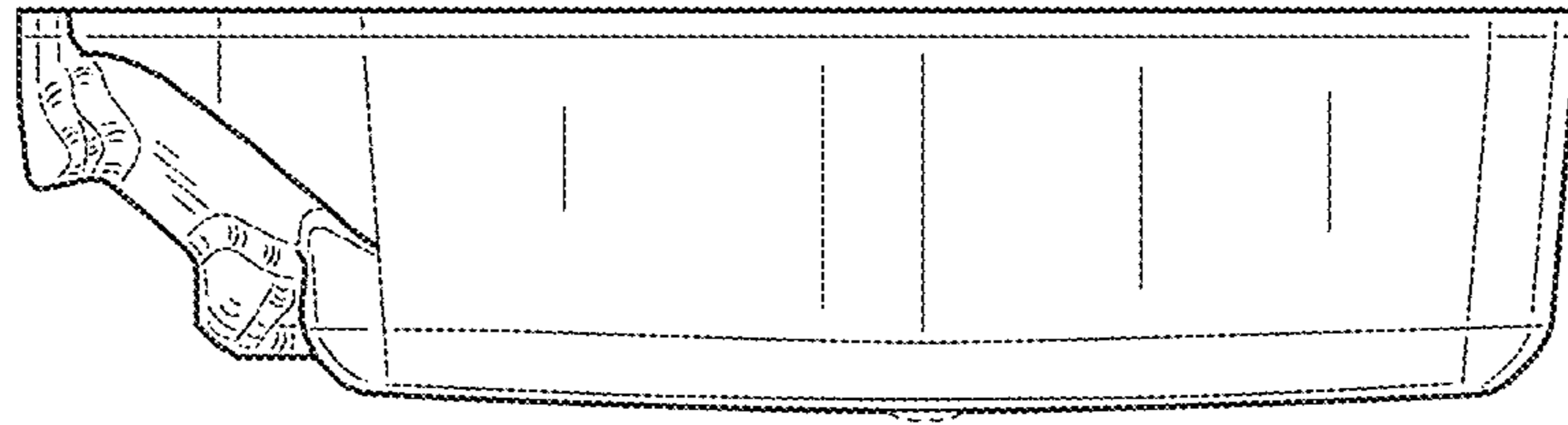


FIG. 7

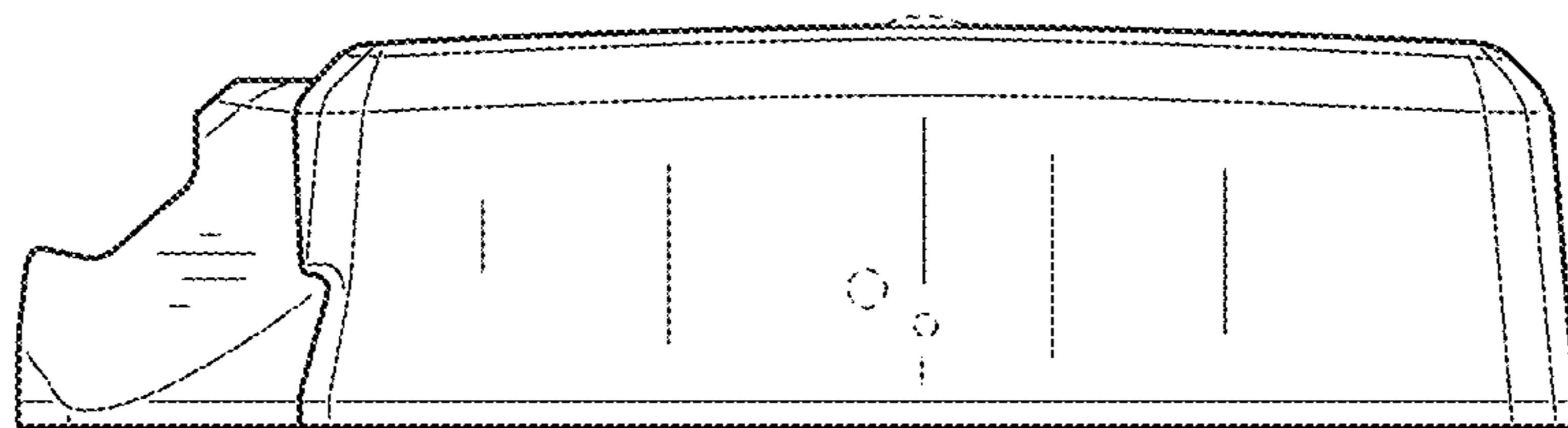


FIG. 8

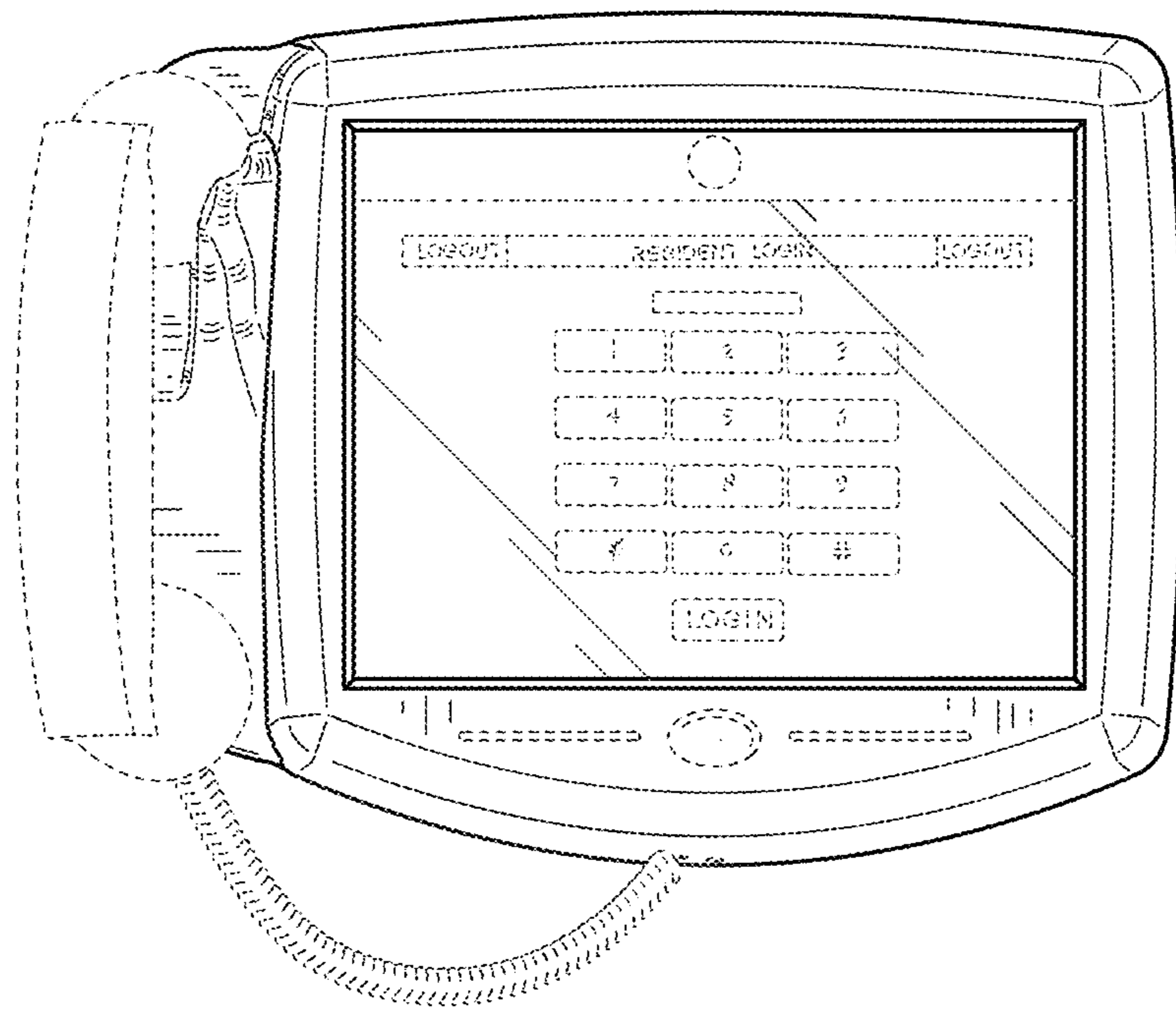


FIG.9