



US00D739364S

(12) **United States Design Patent**
Mellingen et al.

(10) **Patent No.:** **US D739,364 S**

(45) **Date of Patent:** **** Sep. 22, 2015**

(54) **VIDEO CONFERENCE SYSTEM ENDPOINT DISPLAY**

(71) Applicant: **Cisco Technology, Inc.**, San Jose, CA (US)

(72) Inventors: **Torkel Mellingen**, Oslo (NO); **Audun Kollstad**, Oslo (NO); **Paul Daniel**, Oslo (NO); **Ian Sandmæl**, Oslo (NO); **Sondre Frost Urstad**, Oslo (NO)

(73) Assignee: **Cisco Technology, Inc.**, San Jose, CA (US)

(**) Term: **14 Years**

(21) Appl. No.: **29/470,555**

(22) Filed: **Oct. 22, 2013**

(51) **LOC (10) Cl.** **14-03**

(52) **U.S. Cl.**
USPC **D14/126**

(58) **Field of Classification Search**
USPC D14/125-134, 239, 371, 136, 374-377, D14/440, 450, 448, 336, 342, 159; 312/7.2; 348/836, 838, 180, 184, 325, 739; 248/917-924, 465; 345/104, 133, 156, 345/168, 87, 173; D21/329, 515, 577, 622, D21/333, 433, 448, 452, 450, 331, 505; D10/15, 26; 446/484, 175, 356; D6/477, 479, 300; D24/185; D34/14
CPC ... G06F 1/1601; G06F 1/1643; H05K 5/0004; H05K 5/0017; H05K 5/02; H05K 5/0217
See application file for complete search history.

(56) **References Cited**

U.S. PATENT DOCUMENTS

D434,738 S * 12/2000 Takemasa D14/133
D439,225 S * 3/2001 Kita D14/126

(Continued)

Primary Examiner — Raphael Barkai

(74) *Attorney, Agent, or Firm* — Edell, Shapiro & Finnan, LLC

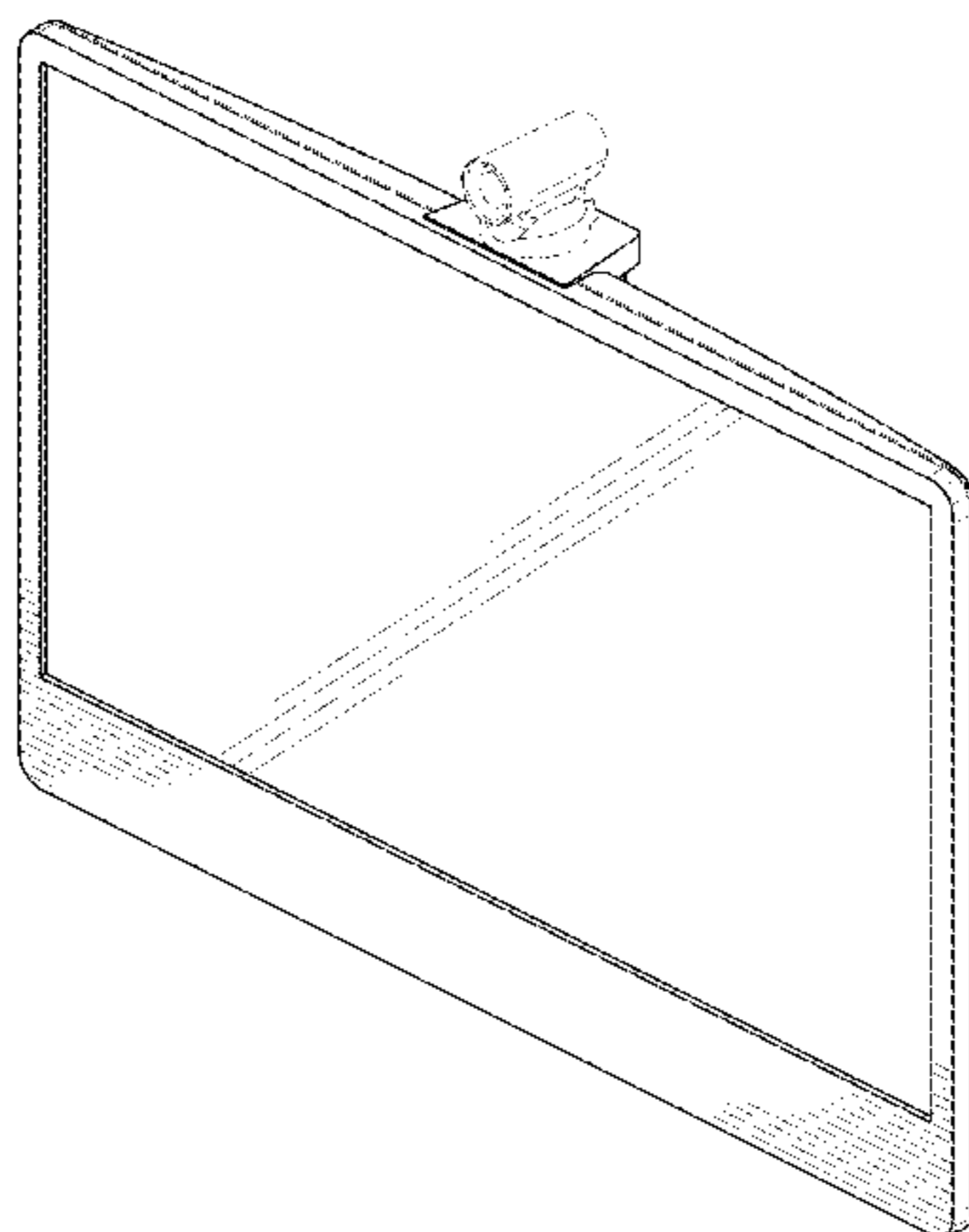
(57) **CLAIM**

The ornamental design for a video conference system endpoint display, as shown and described.

DESCRIPTION

FIG. 1 is a front perspective view of a video conference system endpoint display;
FIG. 2 is a rear perspective view of a video conference system endpoint display;
FIG. 3 is a front elevation view of a video conference system endpoint display;
FIG. 4 is a rear elevation view of a video conference system endpoint display;
FIG. 5 is a side elevation view of a video conference system endpoint display;
FIG. 6 is a side elevation view of a video conference system endpoint display;
FIG. 7 is a top plan view of a video conference system endpoint display;
FIG. 8 is a bottom plan view of a video conference system endpoint display;
FIG. 9 is a front perspective view of a video conference system endpoint display;
FIG. 10 is a front perspective view of a video conference system endpoint display;
FIG. 11 is a rear perspective view of a video conference system endpoint display;
FIG. 12 is a front elevation view of a video conference system endpoint display;
FIG. 13 is a rear elevation view of a video conference system endpoint display;
FIG. 14 is a side elevation view of a video conference system endpoint display;
FIG. 15 is a side elevation view of a video conference system endpoint display;
FIG. 16 is a top plan view of a video conference system endpoint display;
FIG. 17 is a bottom plan view of a video conference system endpoint display; and,
FIG. 18 is a front perspective view of a video conference system endpoint display.
Any portions shown using dashed lines are for illustrative purposes only and form no part of the claimed design.

1 Claim, 12 Drawing Sheets



(56)

References Cited

U.S. PATENT DOCUMENTS

D471,189 S *	3/2003	Bradley et al.	D14/308	D655,279 S *	3/2012	Buzzard et al.	D14/239
D486,915 S *	2/2004	Warschewske et al.	D24/185	8,286,977 B2 *	10/2012	Butler et al.	280/47.35
D541,267 S *	4/2007	Sagen et al.	D14/307	8,300,078 B2	10/2012	Lovhaugen et al.	
D559,210 S	1/2008	Brown et al.		D671,083 S *	11/2012	Kim et al.	D14/126
D559,211 S	1/2008	Brown et al.		8,542,264 B2 *	9/2013	Lu et al.	348/14.08
D583,781 S	12/2008	Derocher et al.		D718,260 S *	11/2014	Mellingen et al.	D14/126
D599,755 S *	9/2009	Jin et al.	D14/126	D718,264 S *	11/2014	Park et al.	D14/126
D615,514 S *	5/2010	Mellingen et al.	D14/126	D718,730 S *	12/2014	Andresen et al.	D14/126
D635,942 S *	4/2011	Kim et al.	D14/126	D720,315 S *	12/2014	Kim et al.	D14/126
D651,185 S	12/2011	Andresen		D720,317 S *	12/2014	Kamp et al.	D14/126
D653,245 S *	1/2012	Buzzard et al.	D14/239	2003/0058372 A1 *	3/2003	Williams et al.	348/836
				2010/0148458 A1 *	6/2010	Ross et al.	280/47.34
				2013/0083155 A1	4/2013	Andresen	

* cited by examiner

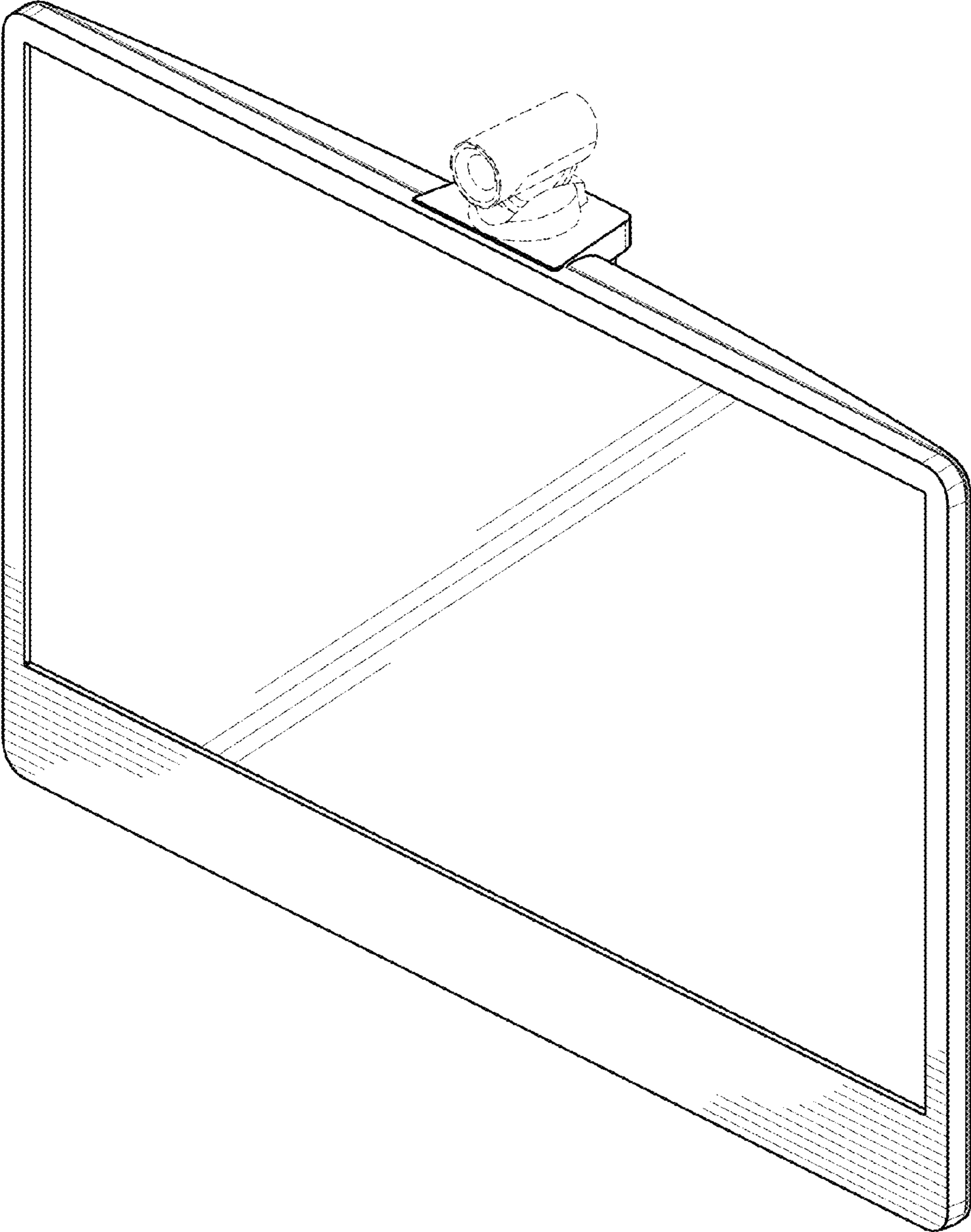


FIG.1

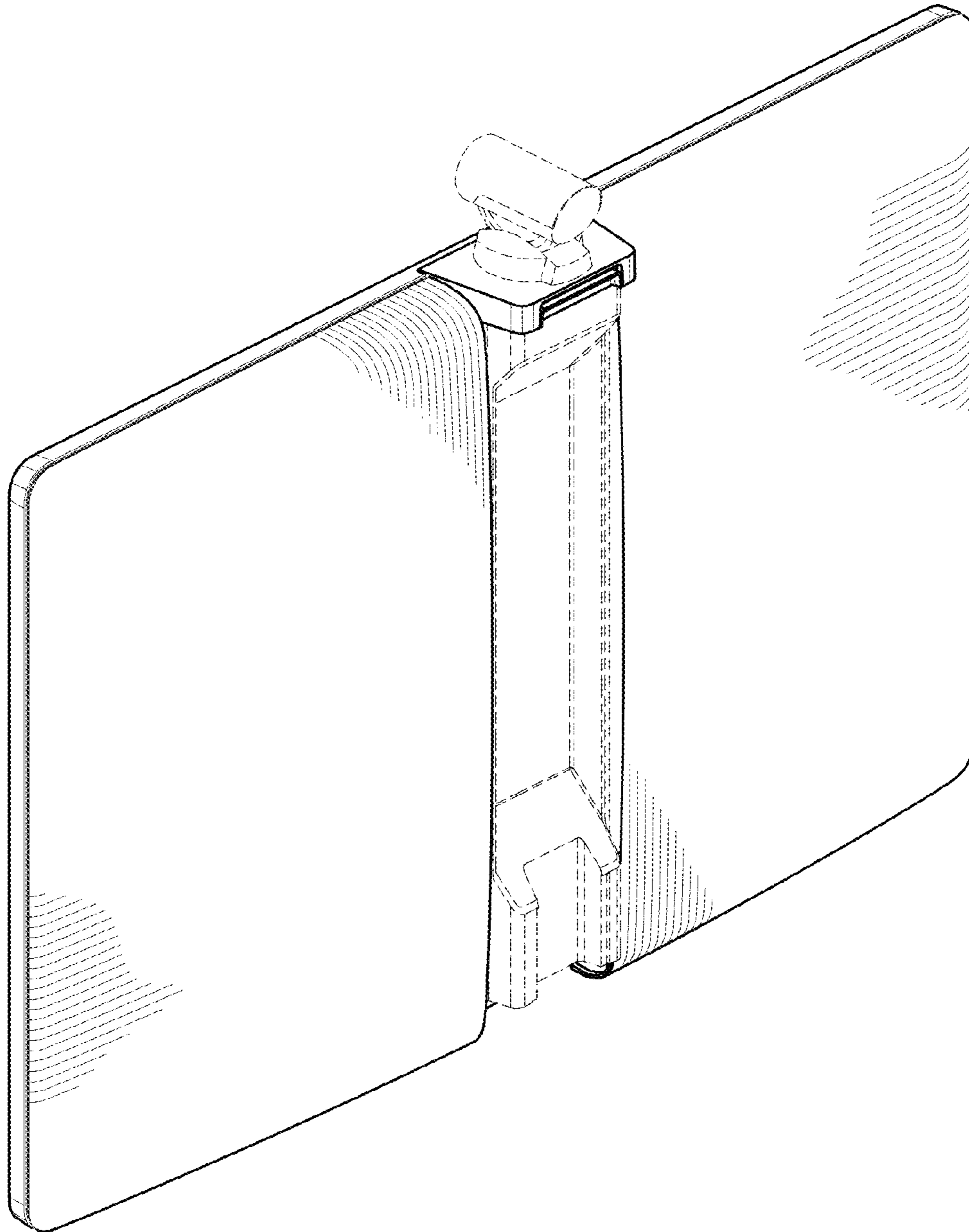


FIG.2

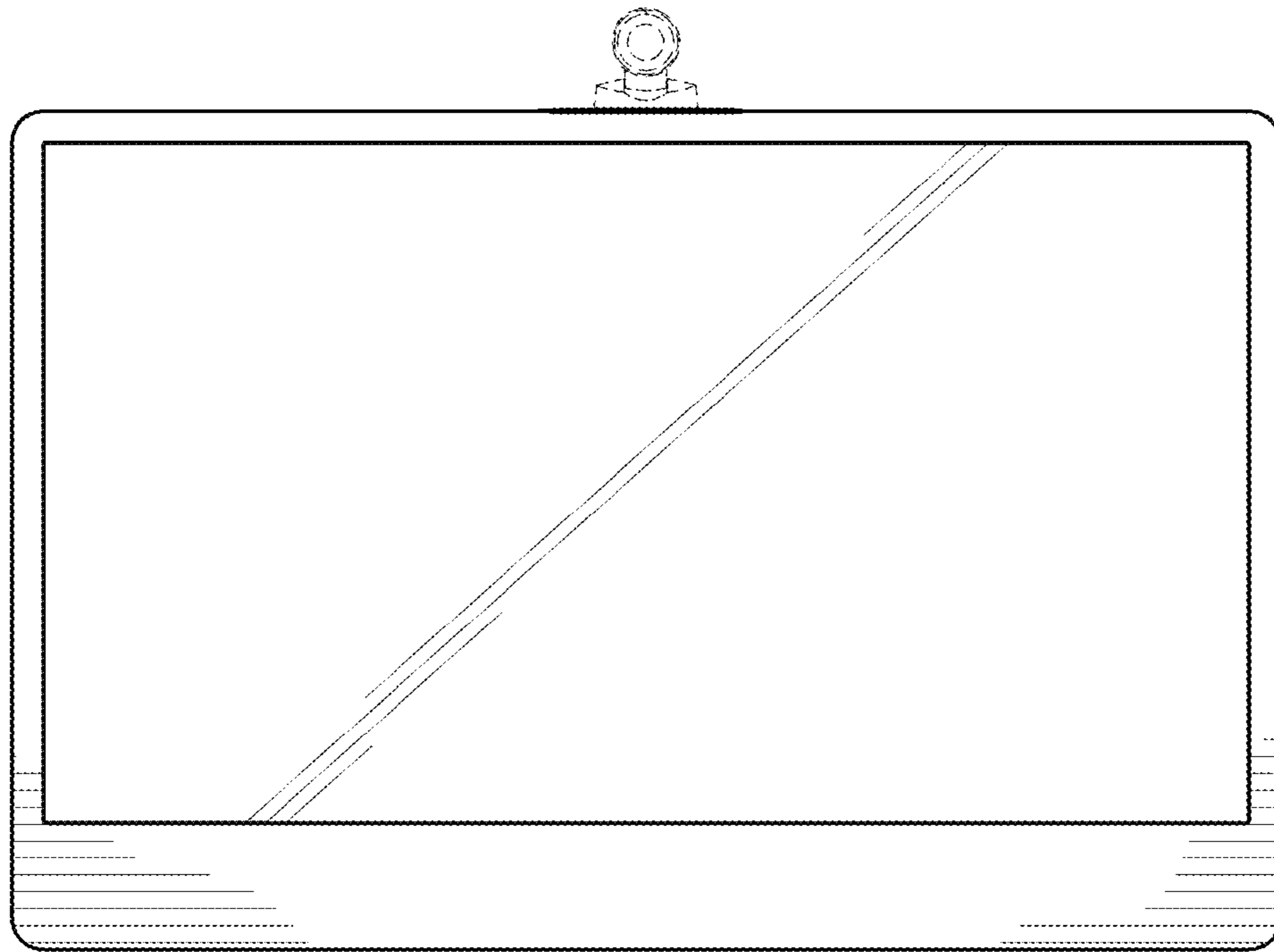


FIG.3

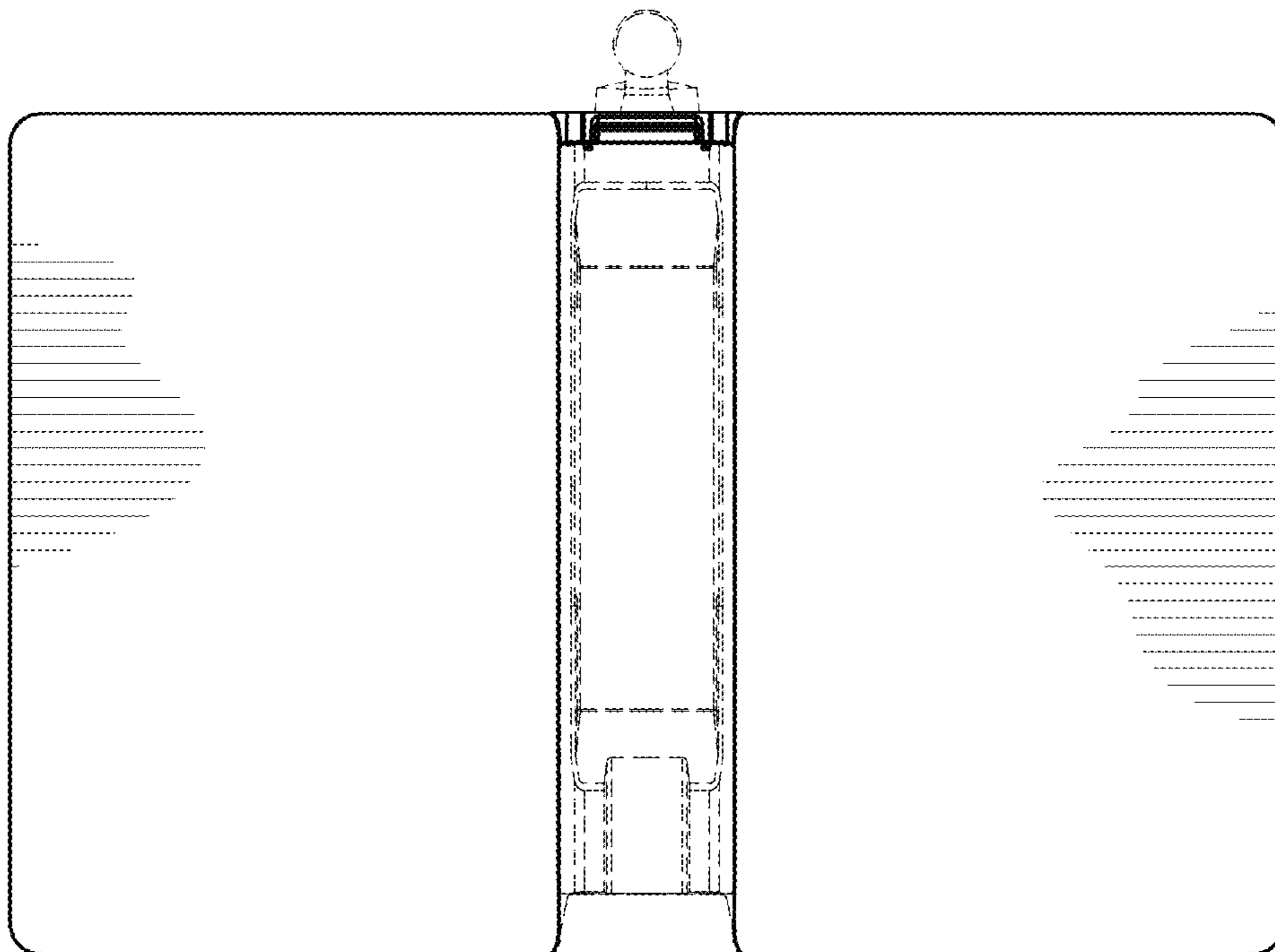


FIG.4

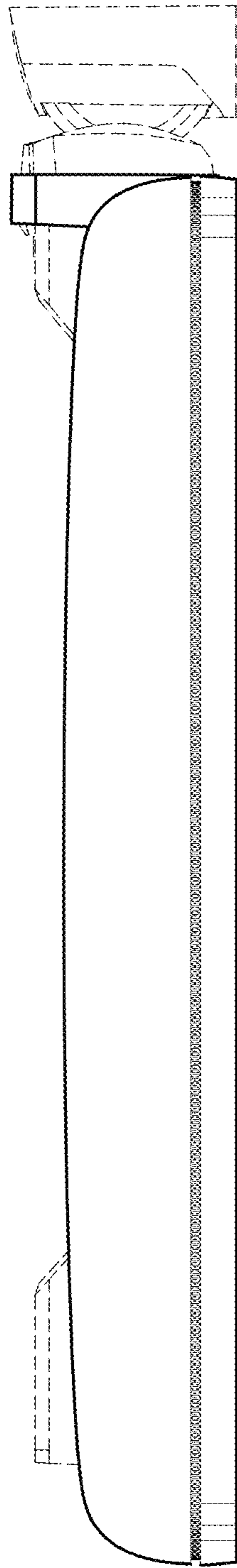


FIG.5

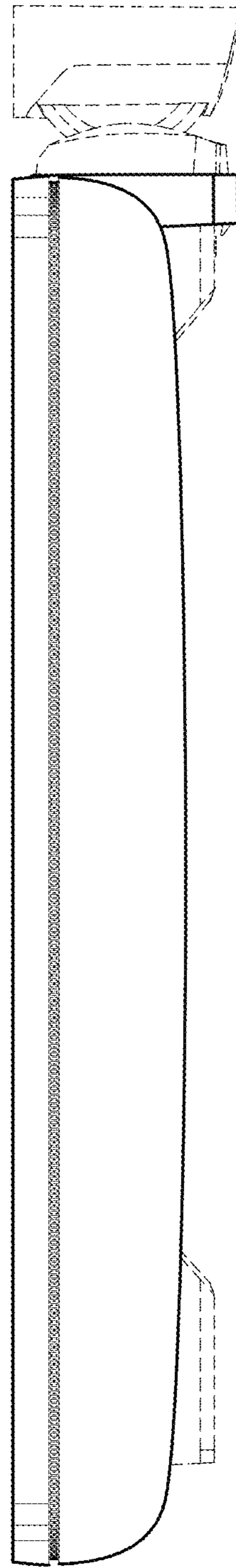


FIG.6

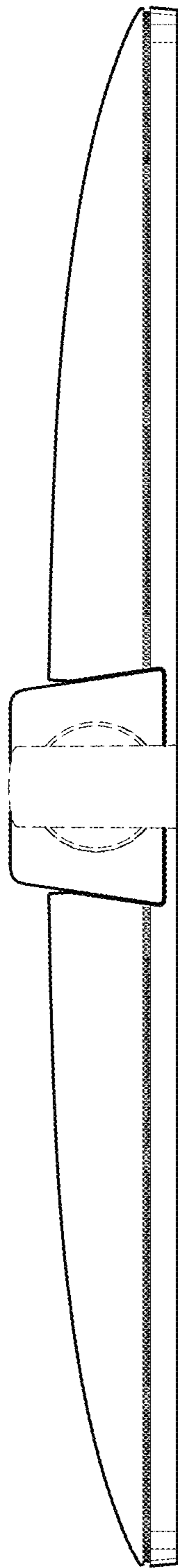


FIG. 7

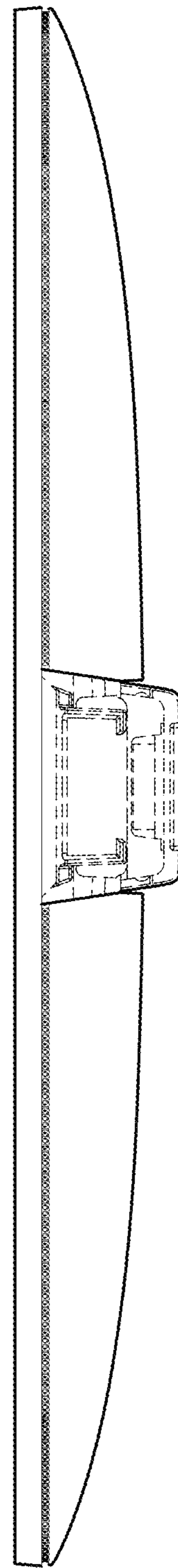
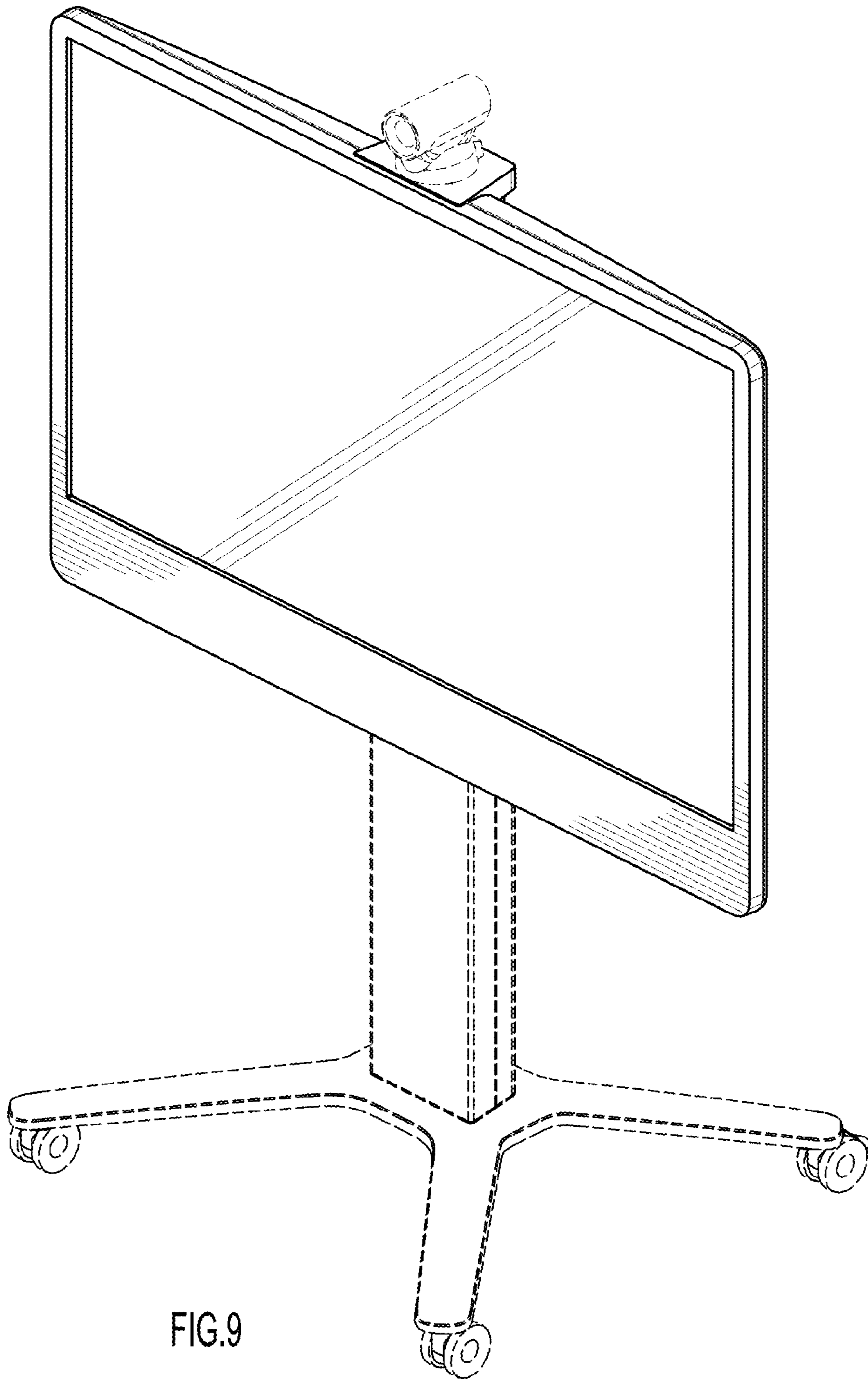


FIG. 8



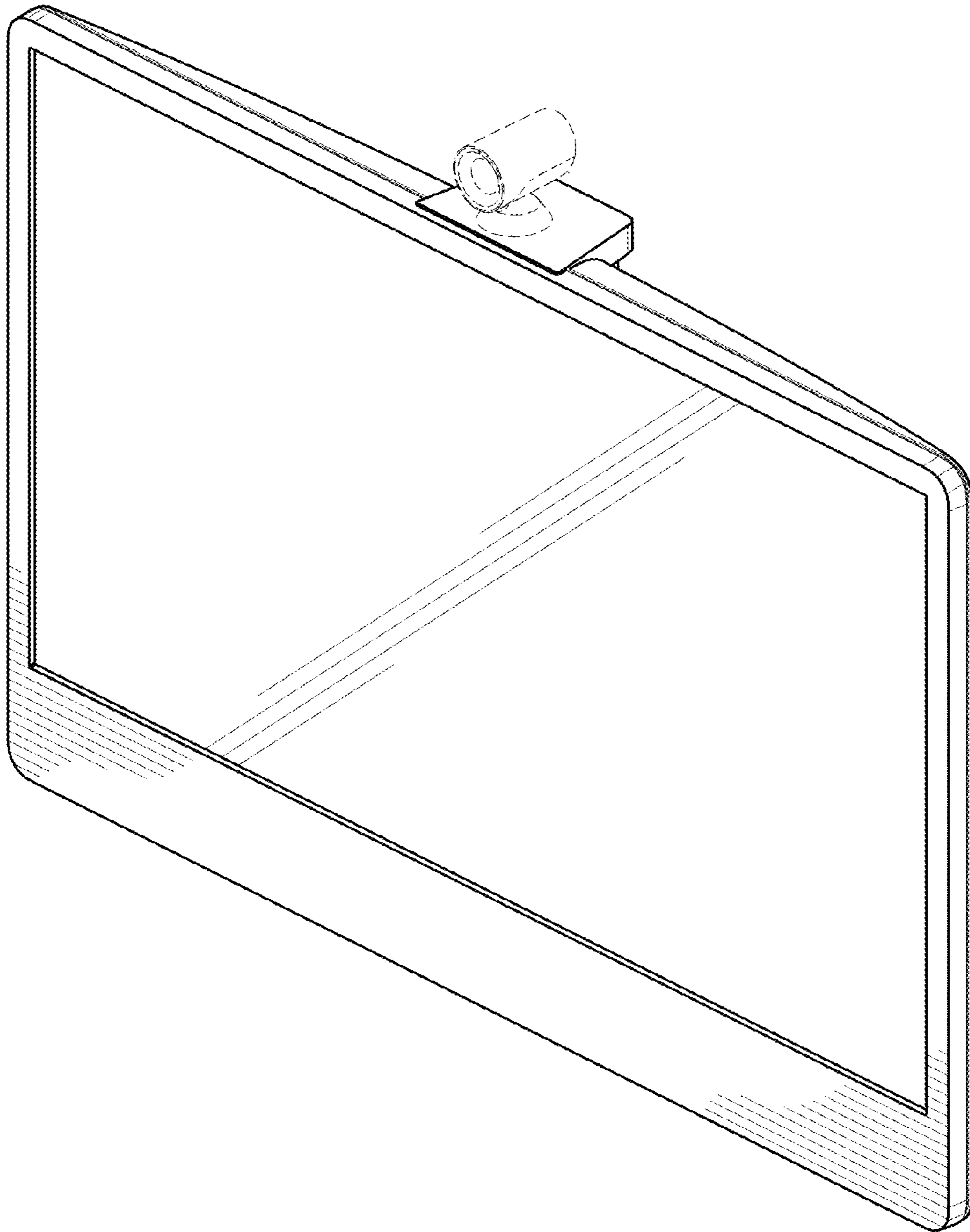


FIG.10

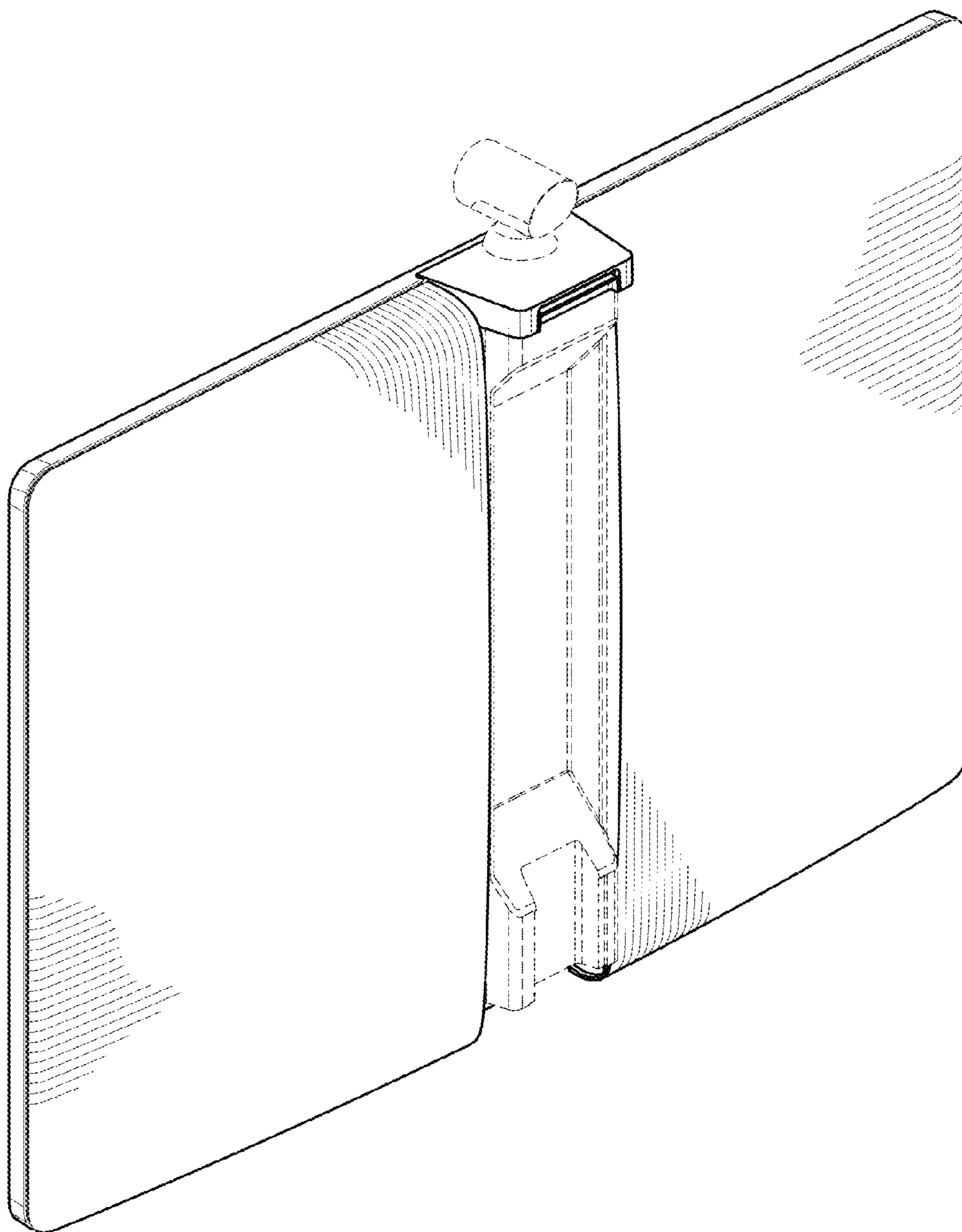


FIG.11

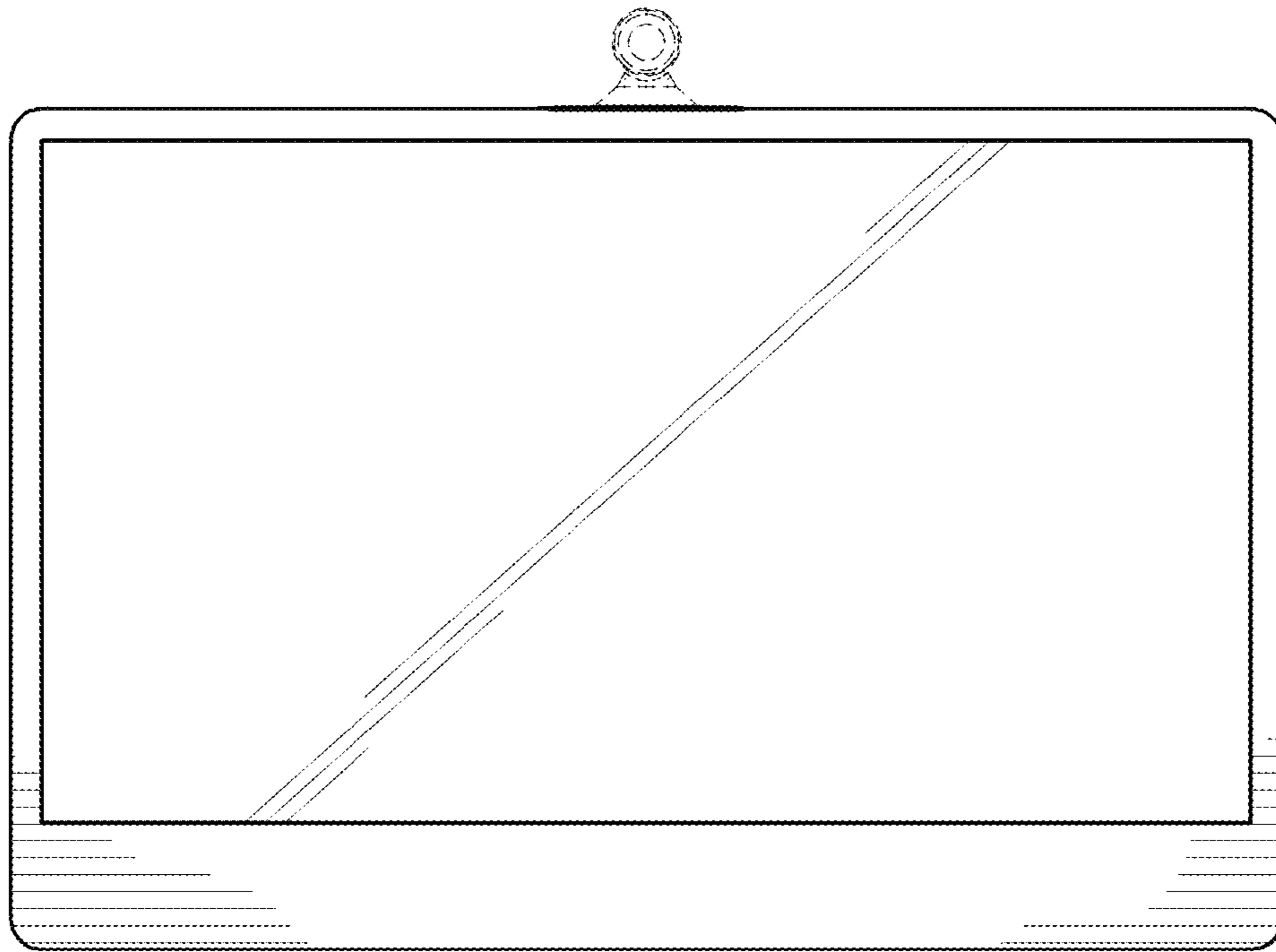


FIG.12

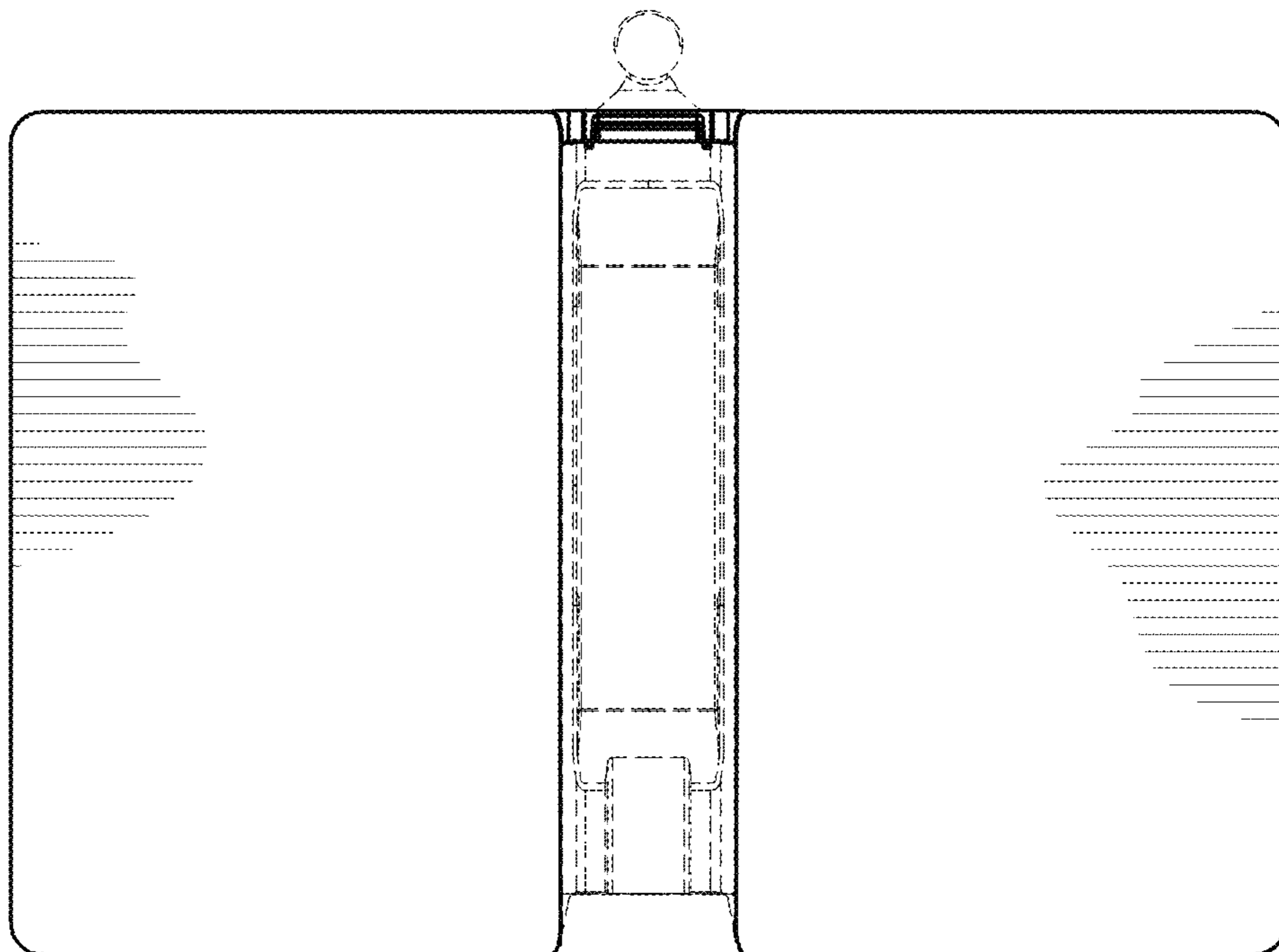


FIG.13

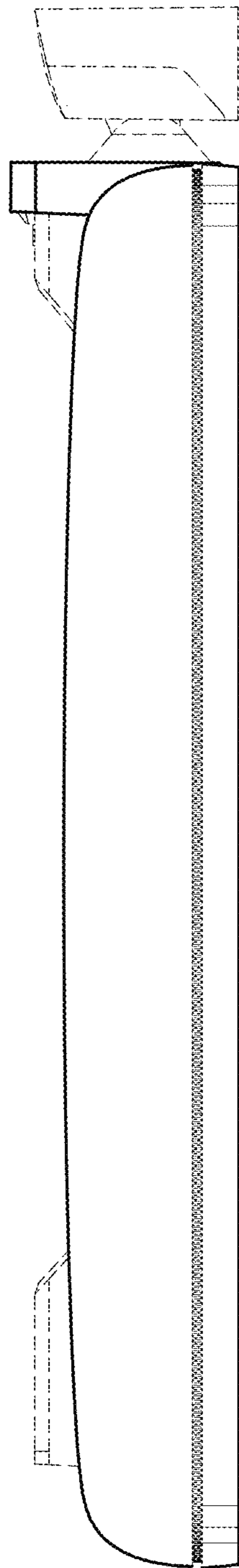


FIG.14

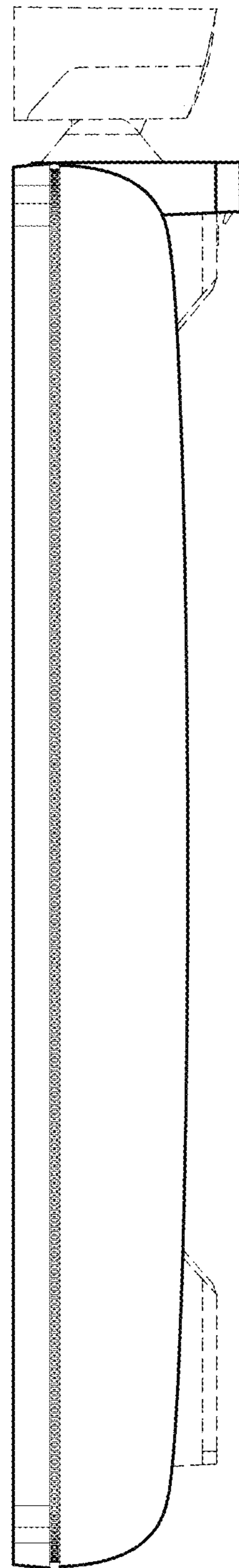


FIG.15

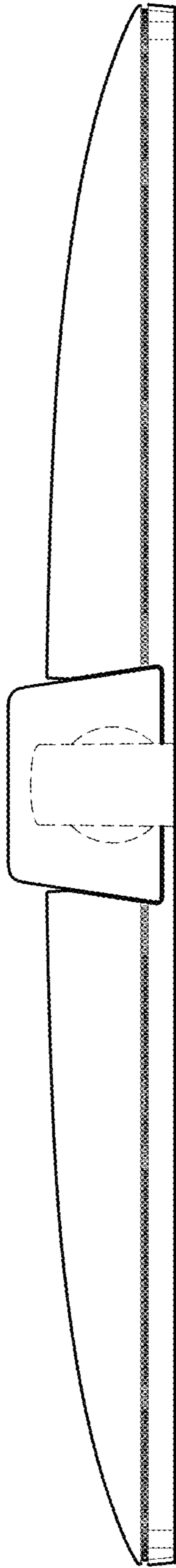


FIG. 16

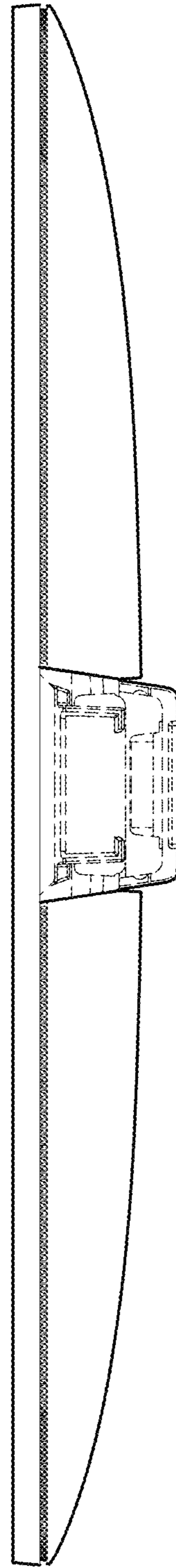


FIG. 17

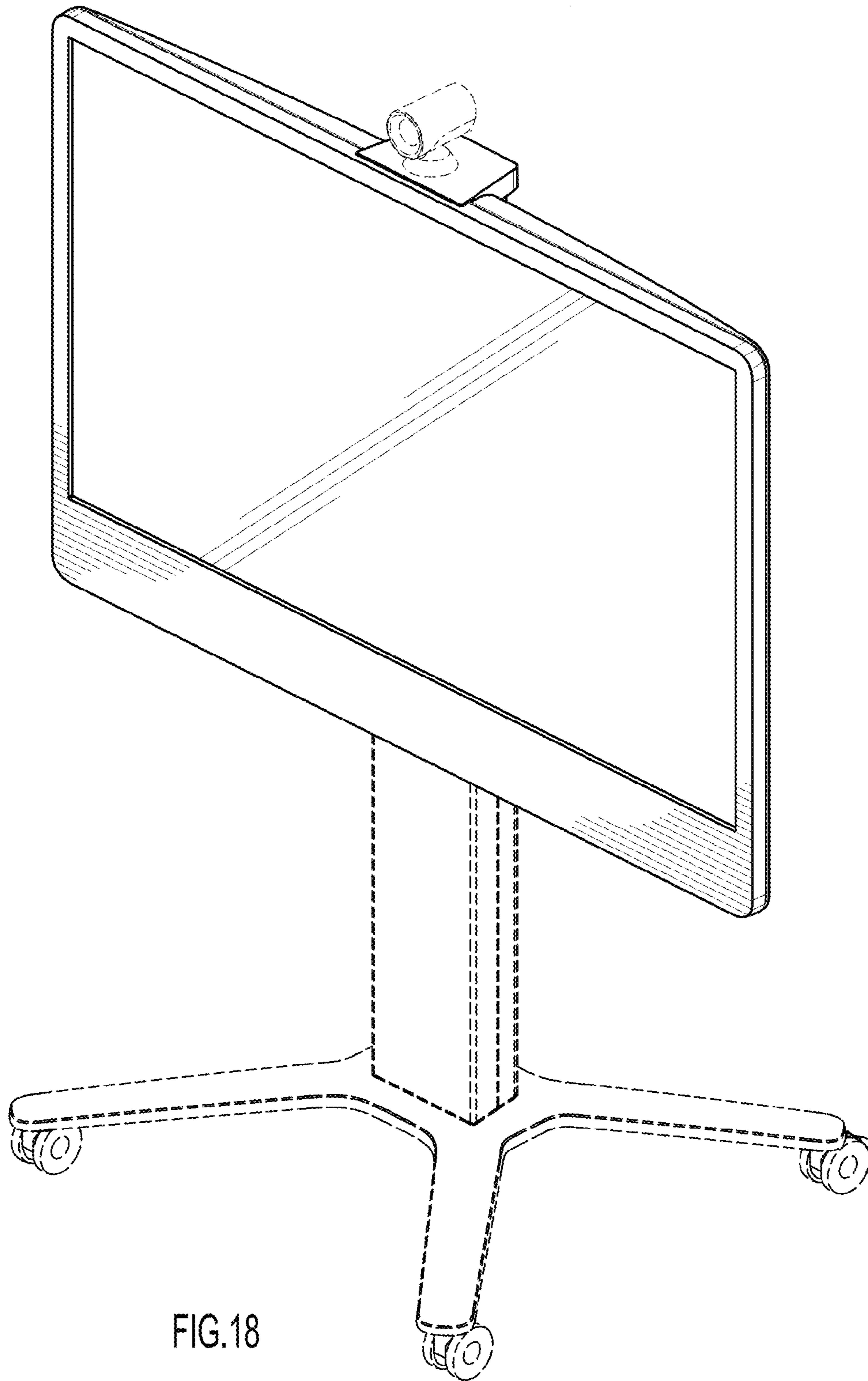


FIG.18