



US00D739362S

(12) **United States Design Patent**  
**Muramoto**

(10) **Patent No.:** **US D739,362 S**

(45) **Date of Patent:** **\*\* Sep. 22, 2015**

(54) **PUSH SWITCH**

(71) Applicant: **OMRON Corporation**, Shimogyo-ku,  
Tokyo (JP)

(72) Inventor: **Kei Muramoto**, Okayama (JP)

(73) Assignee: **Omron Corporation**, Kyoto (JP)

(\*\*) Term: **14 Years**

(21) Appl. No.: **29/489,293**

(22) Filed: **Apr. 29, 2014**

(30) **Foreign Application Priority Data**

Nov. 21, 2013 (JP) ..... 2013-027288

(51) **LOC (10) Cl.** ..... **13-03**

(52) **U.S. Cl.**  
USPC ..... **D13/173**

(58) **Field of Classification Search**  
USPC ..... D13/158, 171, 173  
CPC ..... H01H 3/00; H01H 3/02; H01H 3/12;  
H01H 13/00; H01H 13/02; H01H 13/04;  
H01H 13/063; H01H 13/12; H01H 13/14;  
H01H 13/20; H01H 13/50; H01H 1/44;  
H01H 1/58; H01H 21/18; H01H 15/06;  
H01H 12/57; H01H 9/02; H02B 1/04; H02B  
1/044; H02B 1/048

See application file for complete search history.

(56) **References Cited**

**U.S. PATENT DOCUMENTS**

3,639,745 A \* 2/1972 Shiki ..... 200/311  
3,946,181 A \* 3/1976 Takamizawa et al. .... 200/531  
4,119,823 A \* 10/1978 Matsueda et al. .... 200/302.3  
4,230,922 A \* 10/1980 Habecker ..... 200/302.2  
D269,607 S \* 7/1983 Ohashi ..... D13/169

4,433,222 A \* 2/1984 Kodaira ..... 200/536  
4,434,339 A \* 2/1984 Ohashi ..... 200/295  
D280,814 S \* 10/1985 Ohashi ..... D13/171  
D294,346 S \* 2/1988 Holmes ..... D13/171  
4,882,461 A \* 11/1989 Kamisada ..... 200/536  
4,935,591 A \* 6/1990 Kaneko ..... 200/293  
5,008,505 A \* 4/1991 Takano et al. .... 200/531  
D340,224 S \* 10/1993 Gierut ..... D13/171  
D340,227 S \* 10/1993 Gierut ..... D13/171  
D352,700 S \* 11/1994 Agnatovech ..... D13/171  
5,369,238 A \* 11/1994 Hirata ..... 200/530  
5,389,758 A \* 2/1995 Agnatovech ..... 200/530  
5,613,598 A \* 3/1997 Pittman et al. .... 200/295  
5,667,062 A \* 9/1997 Yasufuku et al. .... 200/536  
5,803,758 A \* 9/1998 Kameyama ..... 439/248  
8,916,784 B2 \* 12/2014 Chuang ..... 200/5 R  
D728,472 S \* 5/2015 Abe ..... D13/110  
2013/0256104 A1 \* 10/2013 Fujita et al. .... 200/252  
2015/0041294 A1 \* 2/2015 Lee ..... 200/293

\* cited by examiner

*Primary Examiner* — Selina Sikder

(74) *Attorney, Agent, or Firm* — Harness, Dickey & Pierce,  
P.L.C.

(57) **CLAIM**

The ornamental design for a push switch, as shown and described.

**DESCRIPTION**

FIG. 1 is a perspective view of a push switch showing my new design;

FIG. 2 is a front elevational view thereof;

FIG. 3 is a rear elevational view thereof;

FIG. 4 is a left side view thereof;

FIG. 5 is a right side view thereof;

FIG. 6 is a top plan view thereof; and,

FIG. 7 is a bottom plan view thereof.

The broken lines depict environmental subject matter only and form no part of the claimed design.

**1 Claim, 2 Drawing Sheets**

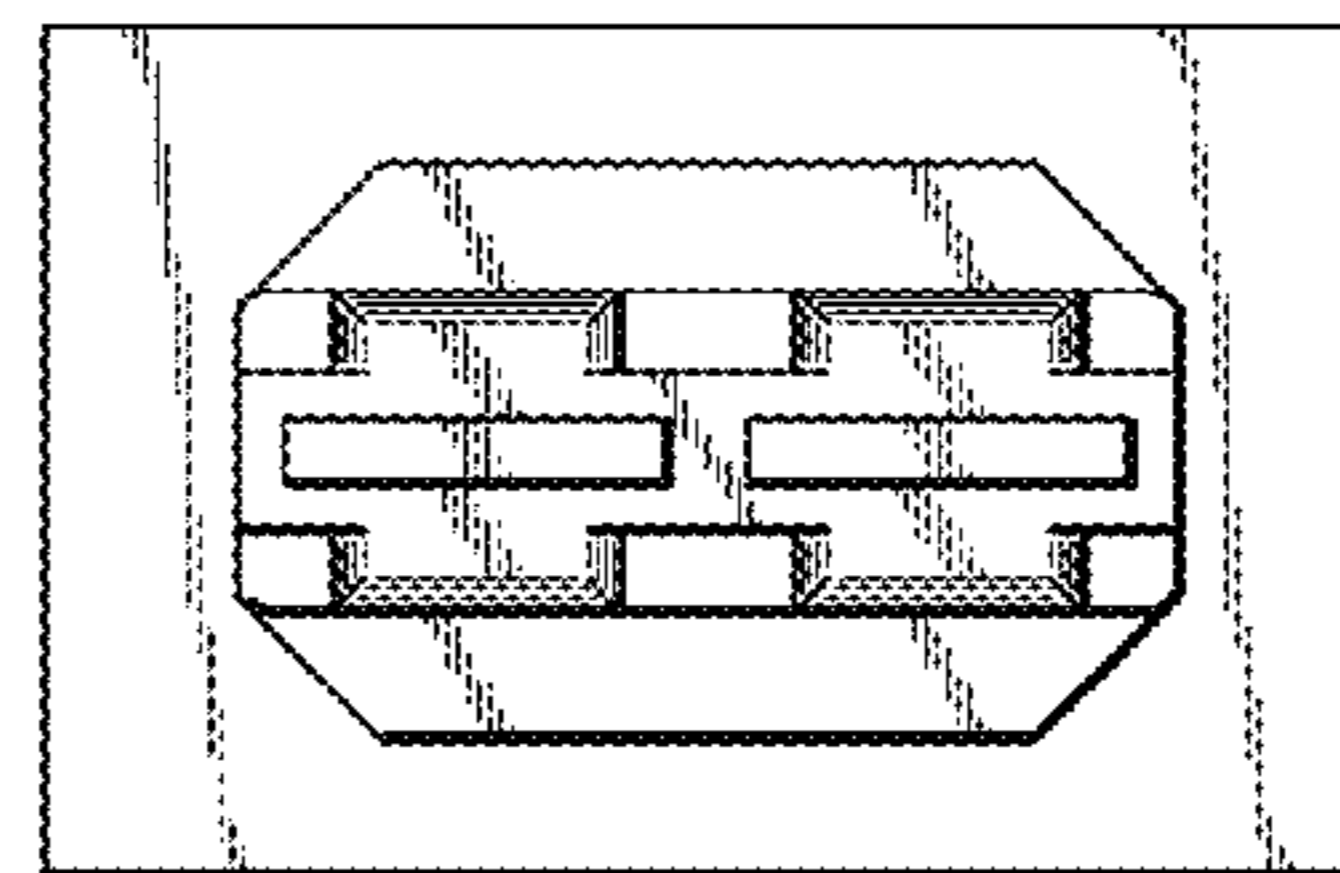
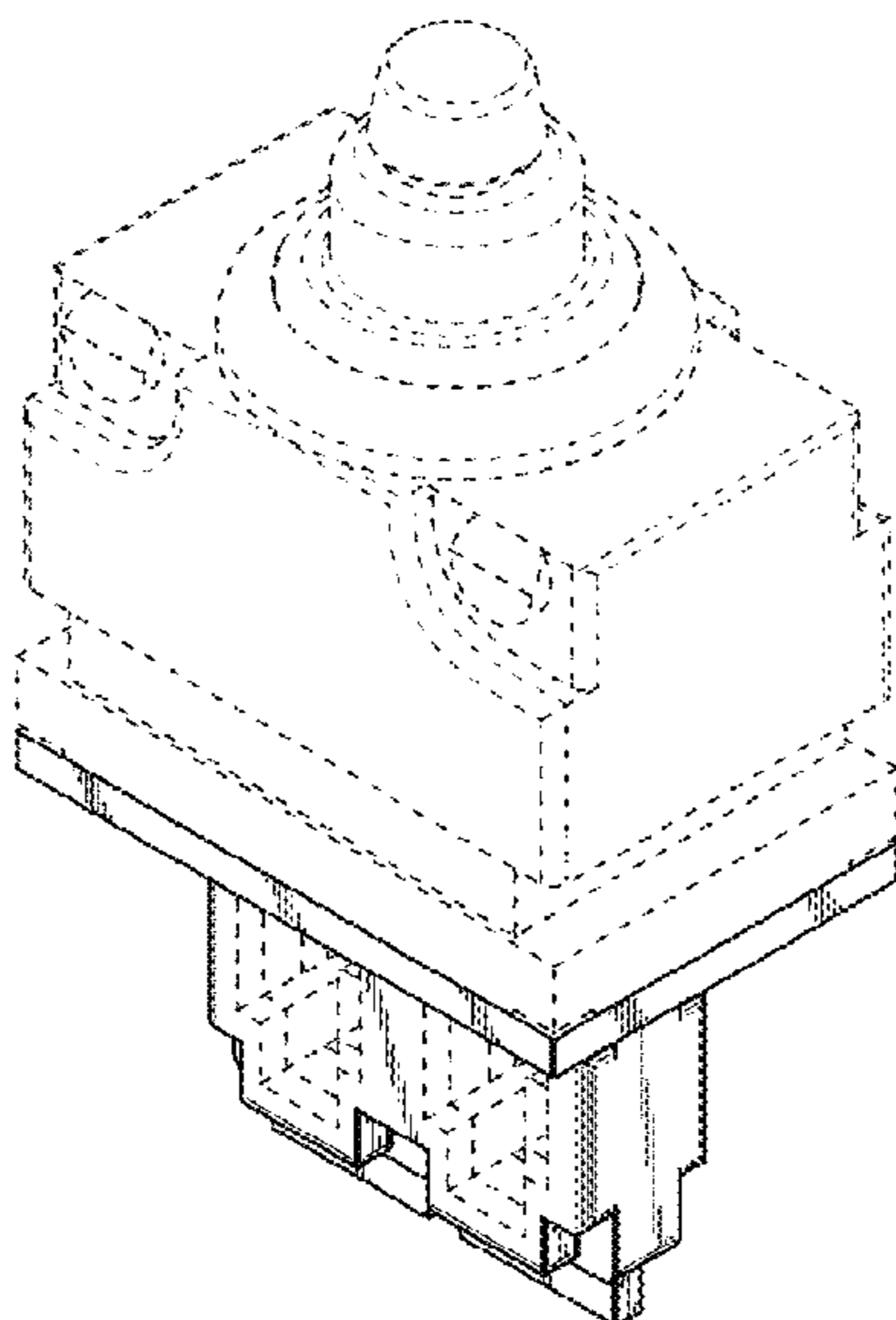


Fig. 1

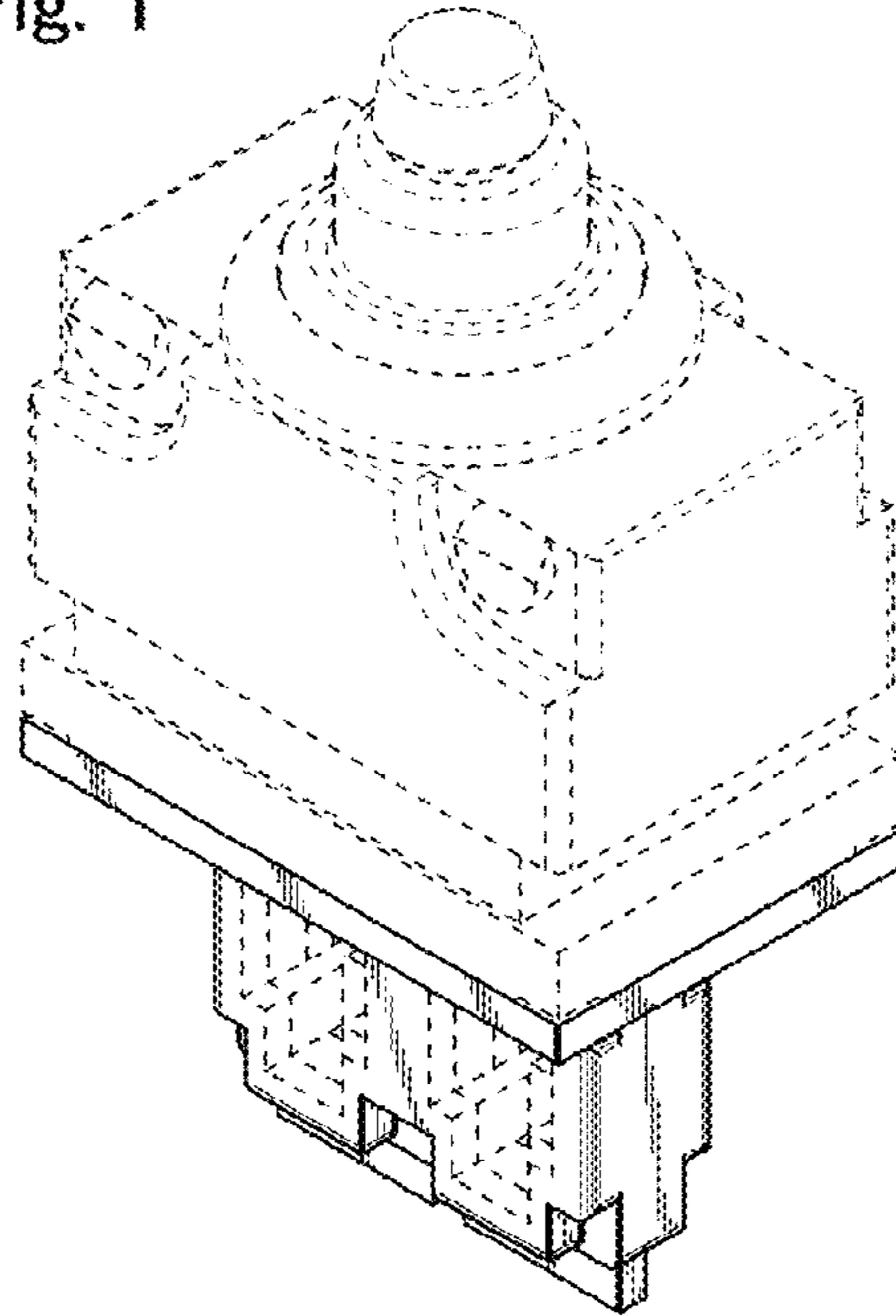


Fig. 2

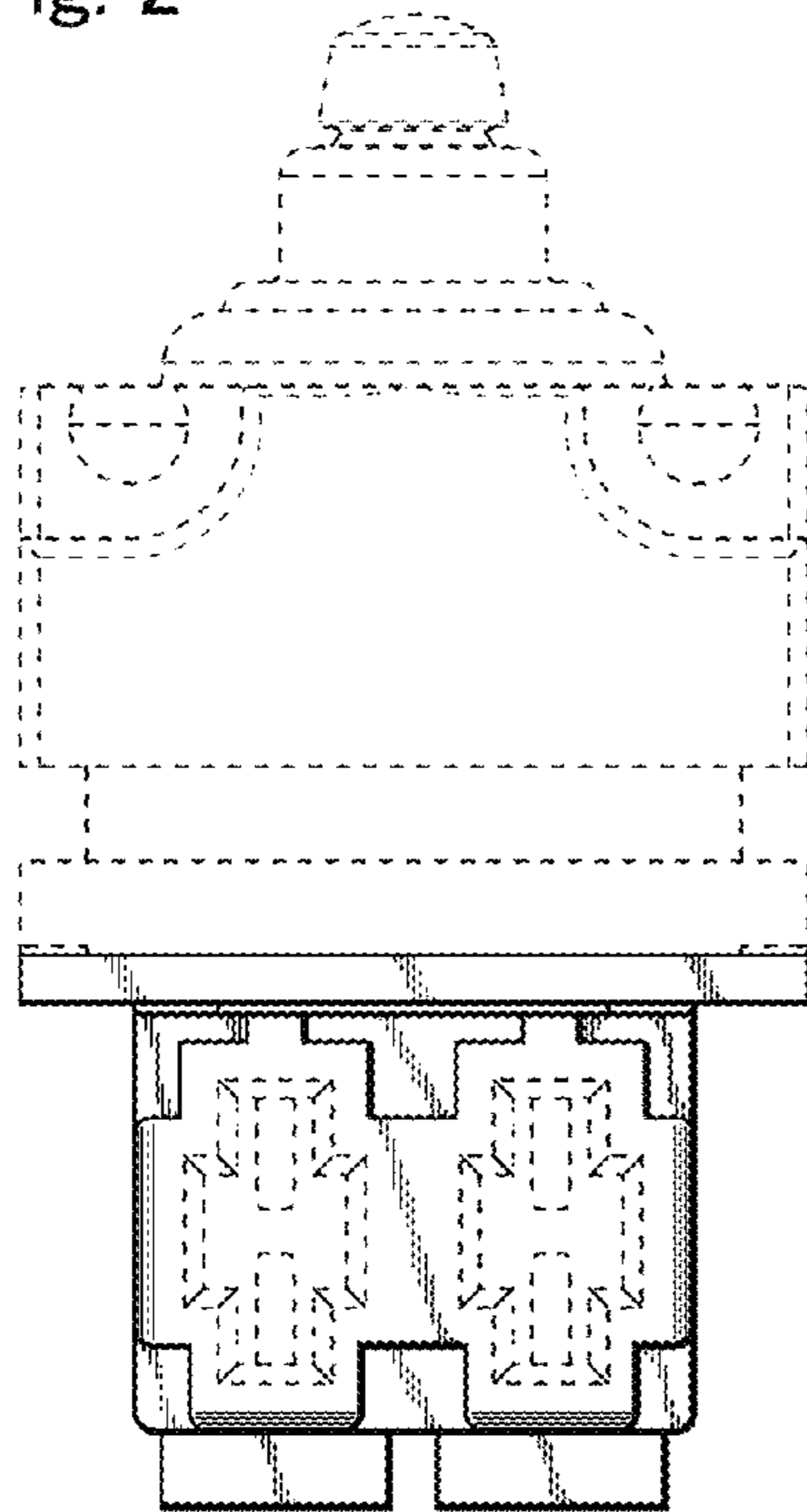


Fig. 3

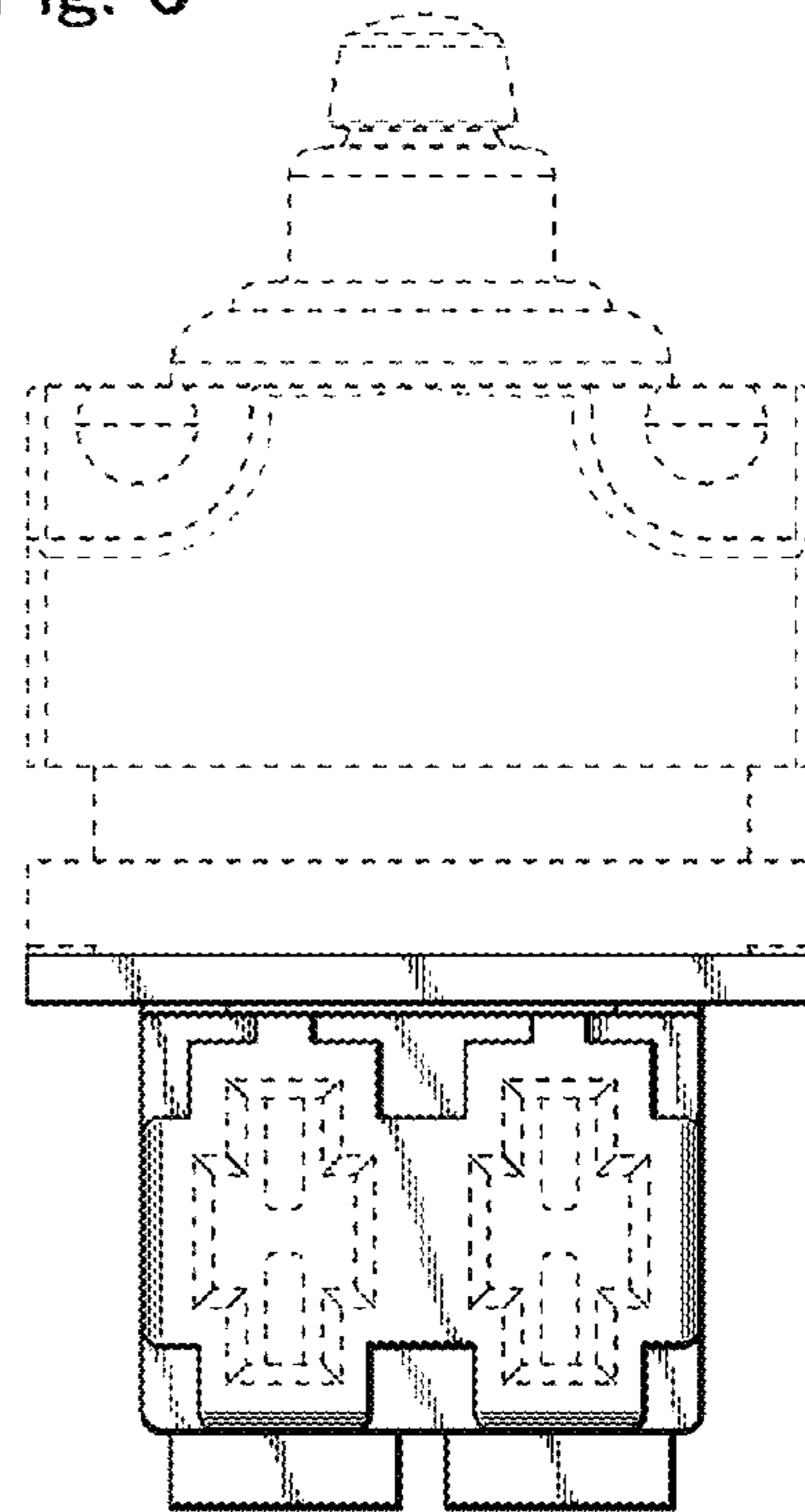


Fig. 4

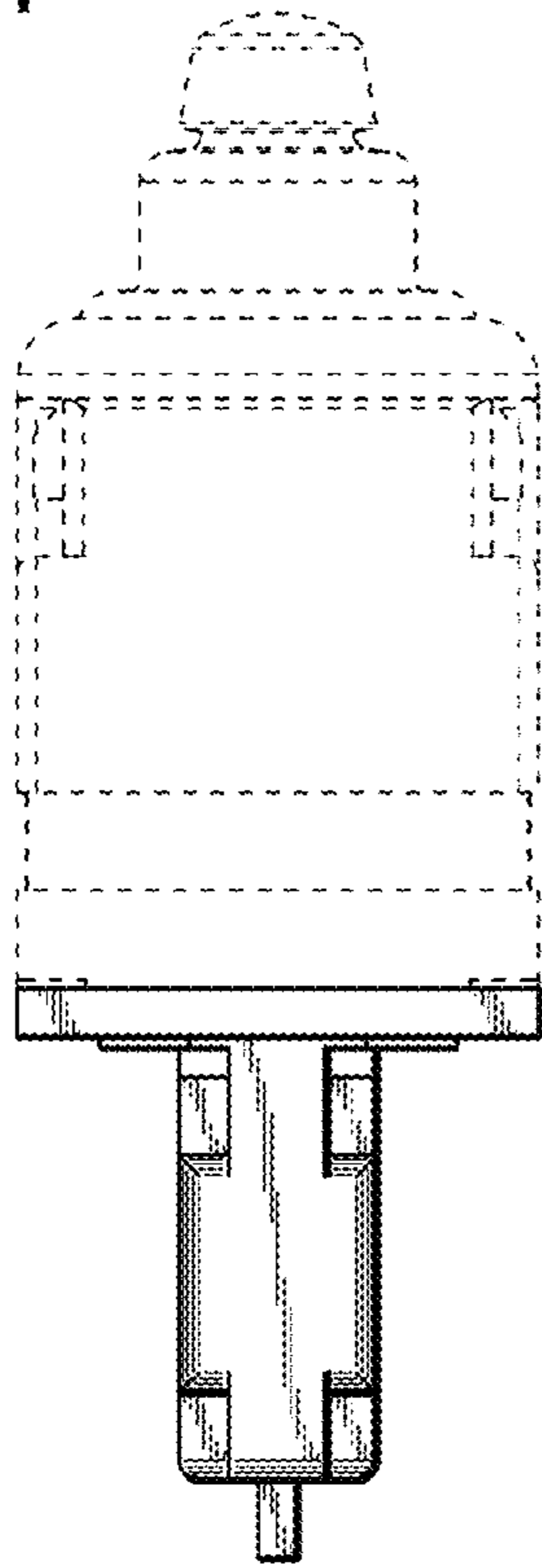


Fig. 5

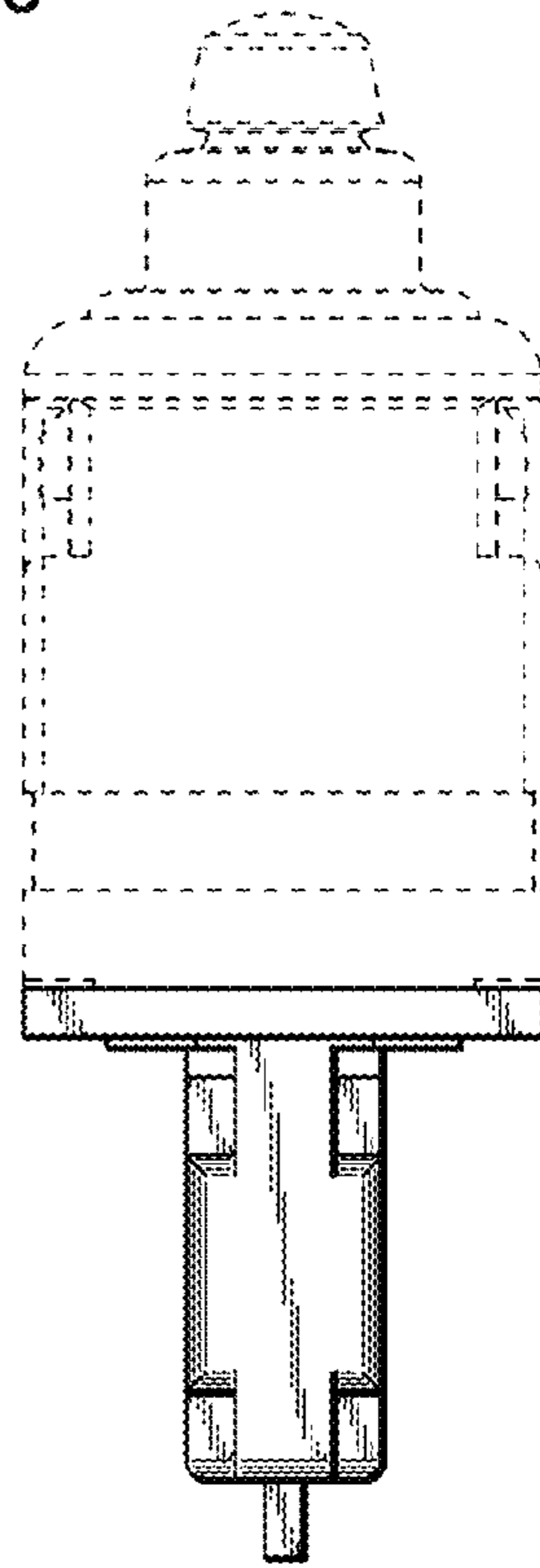


Fig. 6

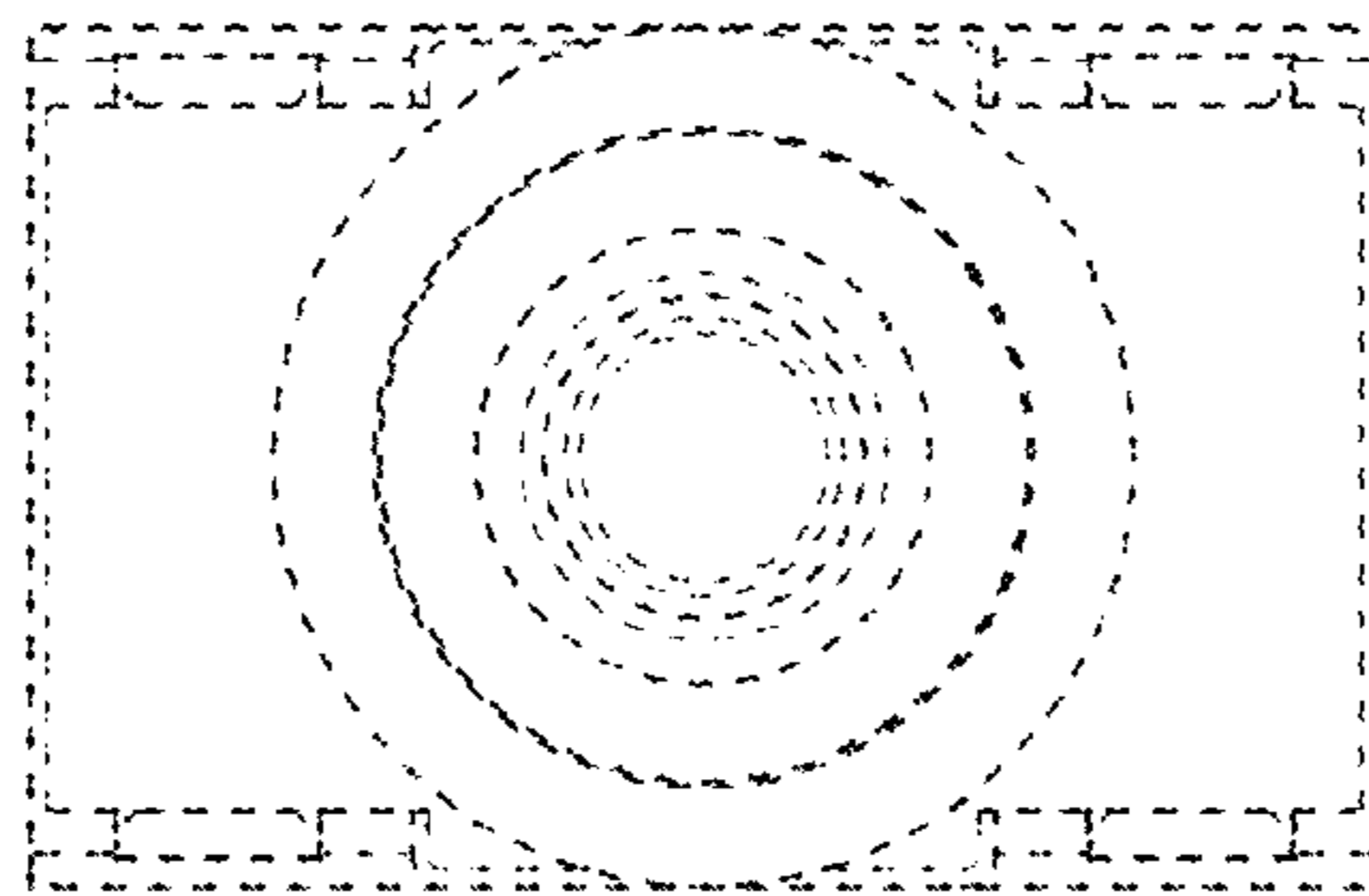


Fig. 7

