



US00D739361S

(12) **United States Design Patent**
Wenji

(10) **Patent No.:** **US D739,361 S**
(45) **Date of Patent:** **** Sep. 22, 2015**

(54) **CONTROLLER FOR SMART FURNITURE (UF)**

(71) Applicant: **eMoMo Technology Co., Ltd.**, Baoan, Shenzhen (CN)

(72) Inventor: **Tang Wenji**, Shenzhen (CN)

(73) Assignee: **eMoMo Technology Co.**, Shenzhen (CN)

(**) Term: **14 Years**

(21) Appl. No.: **29/491,586**

(22) Filed: **May 22, 2014**

(30) **Foreign Application Priority Data**

Mar. 28, 2014 (CN) 2014 3 0077481

(51) **LOC (10) Cl.** **13-03**

(52) **U.S. Cl.**
USPC **D13/171**; D13/174

(58) **Field of Classification Search**
USPC D13/171, 173, 174
CPC H01H 3/022; H01H 3/12; H01H 3/122;
H01H 9/0235; H01H 13/023; H01H 13/04;
H01H 13/14; H01H 13/86; H01H 25/065;
A47C 1/0345; A47C 1/035; A47C 7/506
See application file for complete search history.

(56) **References Cited**

U.S. PATENT DOCUMENTS

4,287,401	A *	9/1981	Rohrbach	200/308
D362,841	S *	10/1995	Roza	D13/171
5,945,645	A *	8/1999	Makuc et al.	200/5 E
D432,997	S *	10/2000	Bonn	D13/174
6,417,469	B1 *	7/2002	Tamura	200/314
7,309,840	B1 *	12/2007	Lo	200/293
D559,797	S *	1/2008	Neveu	D13/174
7,342,194	B2 *	3/2008	Karweik et al.	200/329
7,790,996	B2 *	9/2010	Swamy et al.	200/318.2
8,084,699	B2 *	12/2011	Eto	200/5 R
8,198,555	B2 *	6/2012	Baker	200/5 A
8,207,466	B2 *	6/2012	Singh et al.	200/538

8,766,115	B2 *	7/2014	Kristen	200/5 A
D714,229	S *	9/2014	Wenji et al.	D13/171
D720,305	S *	12/2014	Wenji	D13/174
8,957,331	B2 *	2/2015	Matsumoto	200/4
D725,612	S *	3/2015	Schlegel et al.	D13/174
2006/0072300	A1 *	4/2006	Hayashi	362/29
2010/0270133	A1 *	10/2010	Baker	200/4
2010/0328094	A1 *	12/2010	Yang	340/825.69
2011/0198894	A1 *	8/2011	Hsieh et al.	297/68
2012/0103774	A1 *	5/2012	Jun	200/345
2012/0299838	A1 *	11/2012	Flachbart et al.	345/173
2014/0183011	A1 *	7/2014	Park et al.	200/4

* cited by examiner

Primary Examiner — Selina Sikder

(74) *Attorney, Agent, or Firm* — Bass, Berry & Sims, PLC

(57) **CLAIM**

The ornamental design for a controller for smart furniture (UF), as shown and described.

DESCRIPTION

FIG. 1 is a front view of an embodiment of a controller for smart furniture (UF) showing my new design with a raised button portion;

FIG. 2 is a top plan view of the controller for smart furniture (UF) with a raised button portion;

FIG. 3 is a bottom plan view of the controller for smart furniture (UF) with a raised button portion;

FIG. 4 is a rear view of the controller for smart furniture (UF) with a raised button portion;

FIG. 5 is a right side view of the controller for smart furniture (UF) with a raised button portion;

FIG. 6 is a left side view of the controller for smart furniture (UF) with a raised button portion;

FIG. 7 is a side elevational view of the controller for smart furniture (UF) with a raised button portion;

FIG. 8 is a bottom perspective view of the controller for smart furniture (UF) with a raised button portion;

FIG. 9 is a side elevational view of the controller for smart furniture (UF) with button portion retracted;

FIG. 10 is a top plan view of the controller for smart furniture (UF) with button portion retracted;

FIG. 11 is a front view of the controller for smart furniture (UF) with button portion retracted;

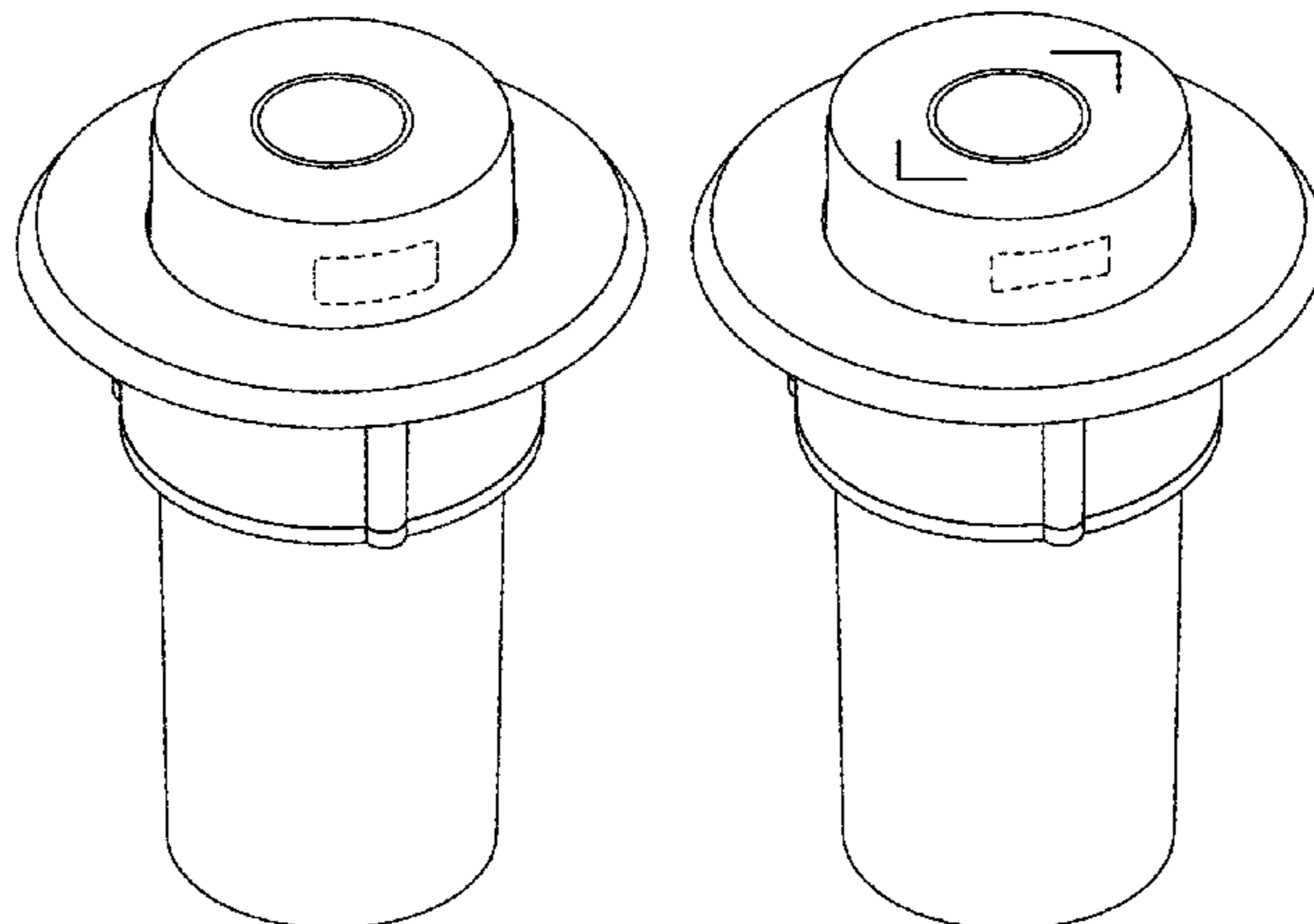


FIG. 12 is a side view of the controller for smart furniture (UF) with button portion retracted;

FIG. 13 is a side elevational view of the controller for smart furniture (UF) with a raised button portion and indicators;

FIG. 14 is a top plan view of the controller for smart furniture (UF) with a raised button portion and indicators;

FIG. 15 is a bottom plan view of the controller for smart furniture (UF) with a raised button portion and indicators;

FIG. 16 is a rear view of the controller for smart furniture (UF) with a raised button portion and indicators;

FIG. 17 is a right side view of the controller for smart furniture (UF) with a raised button portion and indicators;

FIG. 18 is a left side view of the controller for smart furniture (UF) with a raised button portion and indicators;

FIG. 19 is a bottom perspective view of the controller for smart furniture (UF) with a raised button portion and indicators;

FIG. 20 is a side elevational view of the controller for smart furniture (UF) with button portion retracted and indicators;

FIG. 21 is a top plan view of the controller for smart furniture (UF) with button portion retracted and indicators;

FIG. 22 is a bottom plan view of the controller for smart furniture (UF) with button portion retracted and indicators; and,

FIG. 23 is a rear view of the controller for smart furniture (UF) with button portion retracted and indicators.

The broken lines represent potential apertures in the surfaces depicted and do not form part of the claimed design.

1 Claim, 6 Drawing Sheets

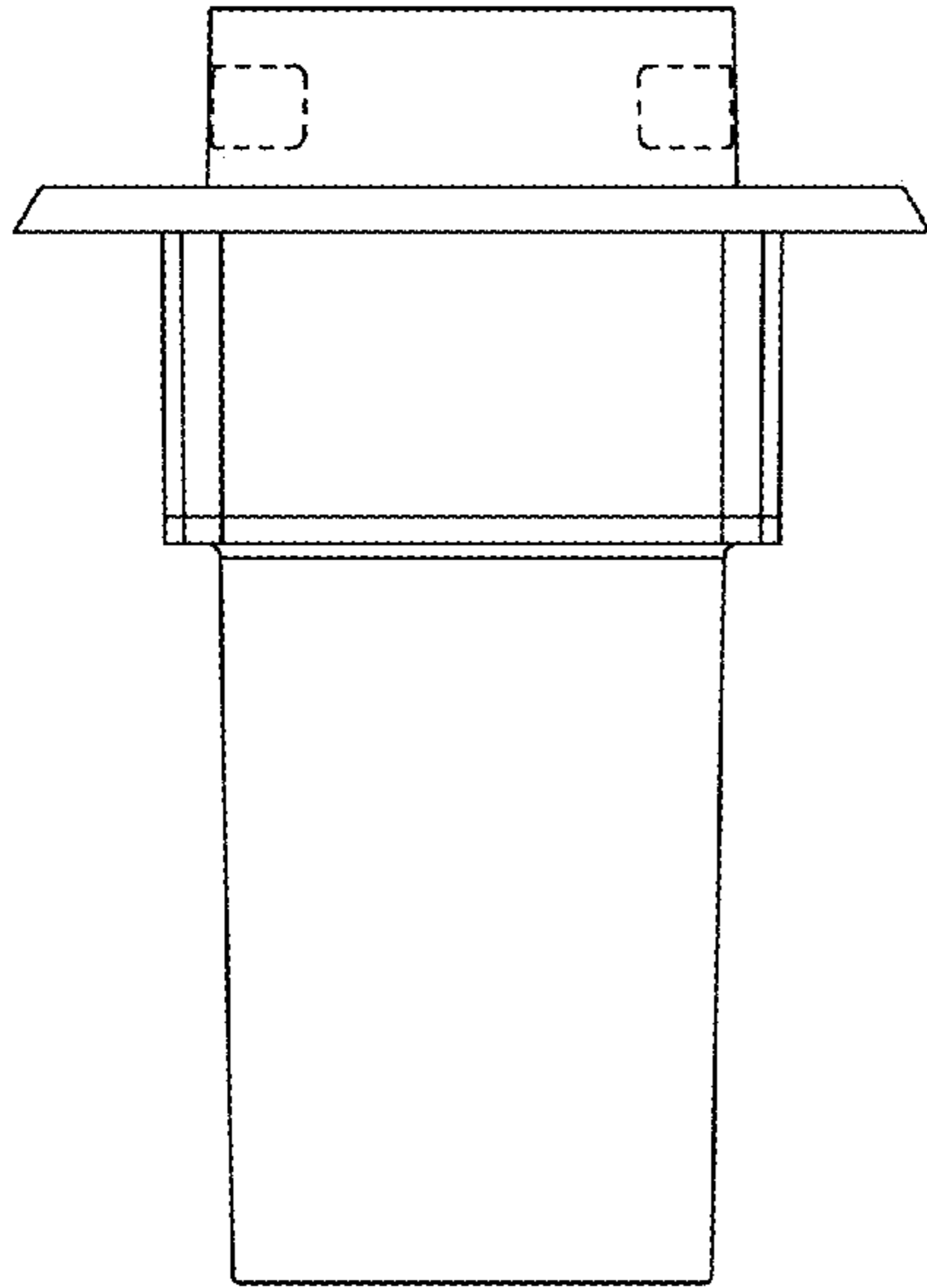


FIGURE 1

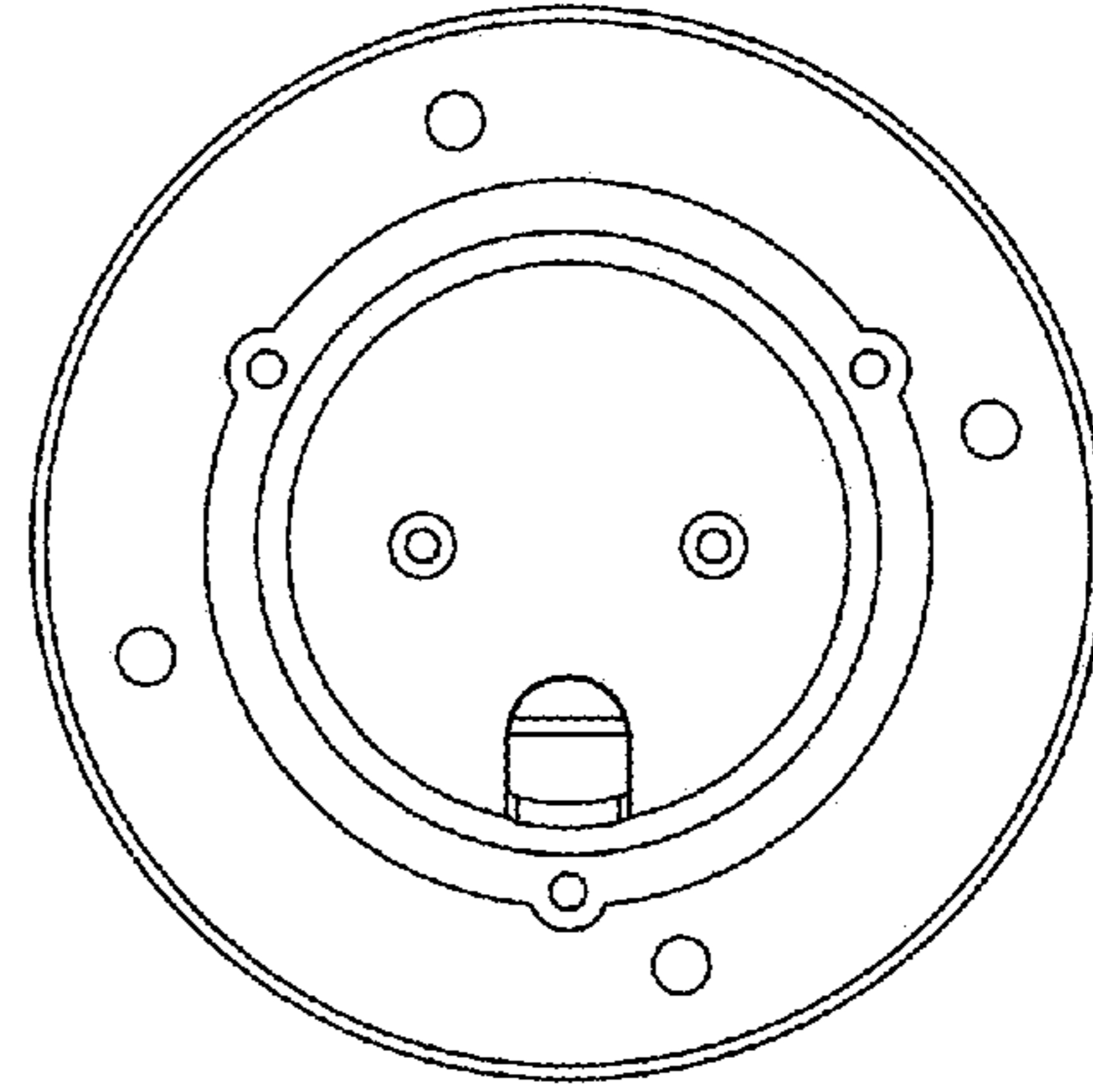


FIGURE 3

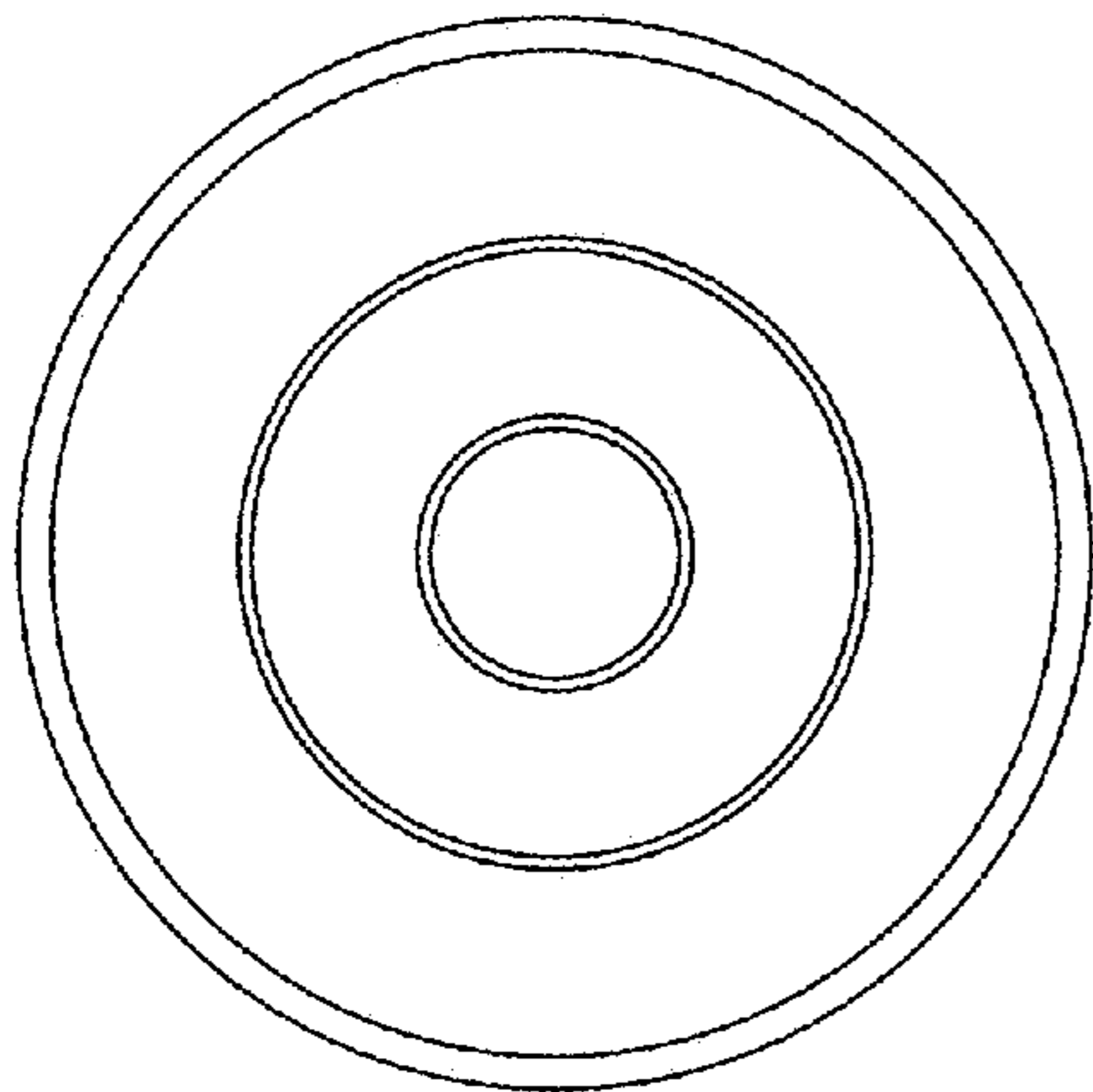


FIGURE 2

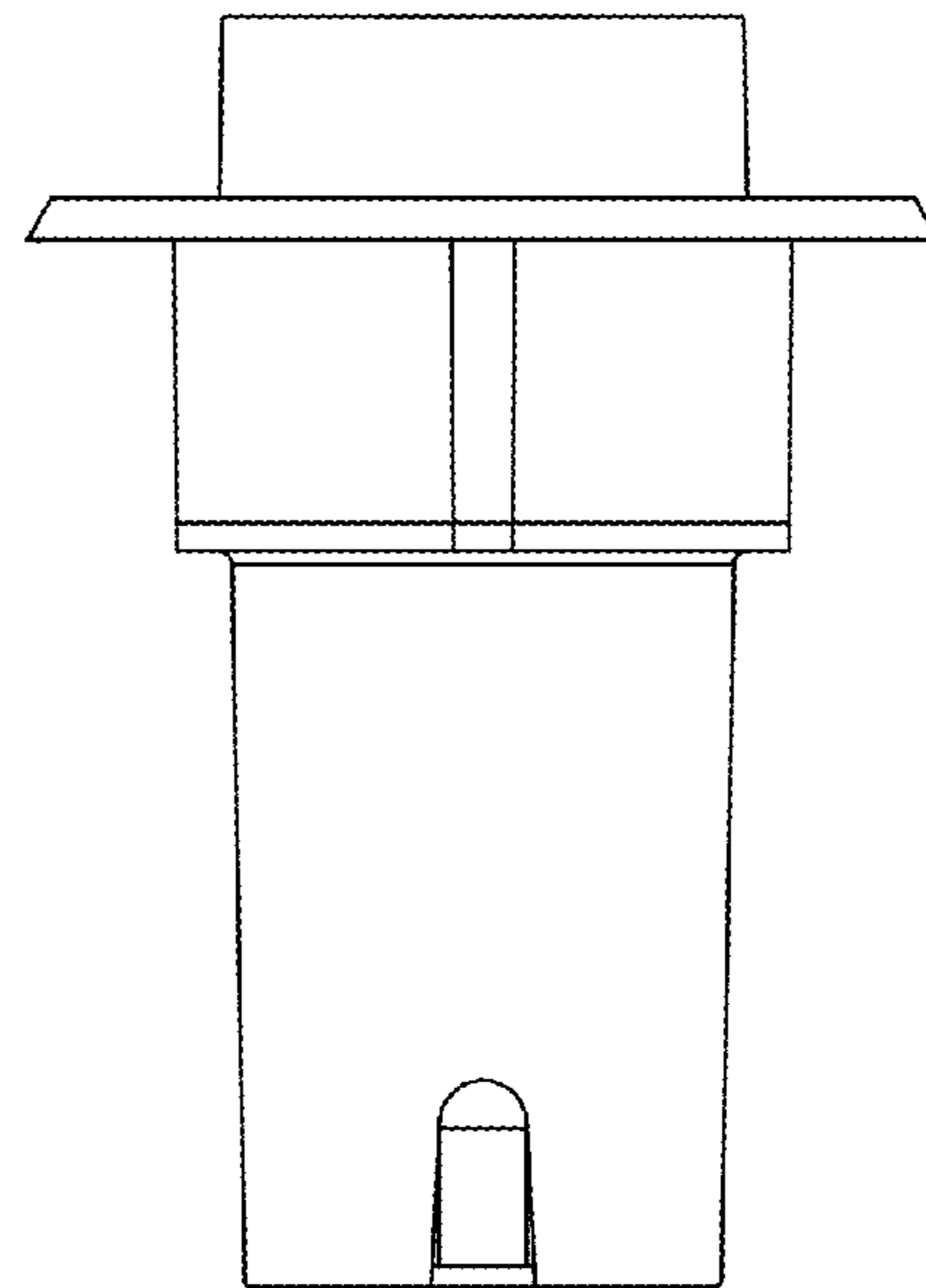


FIGURE 4

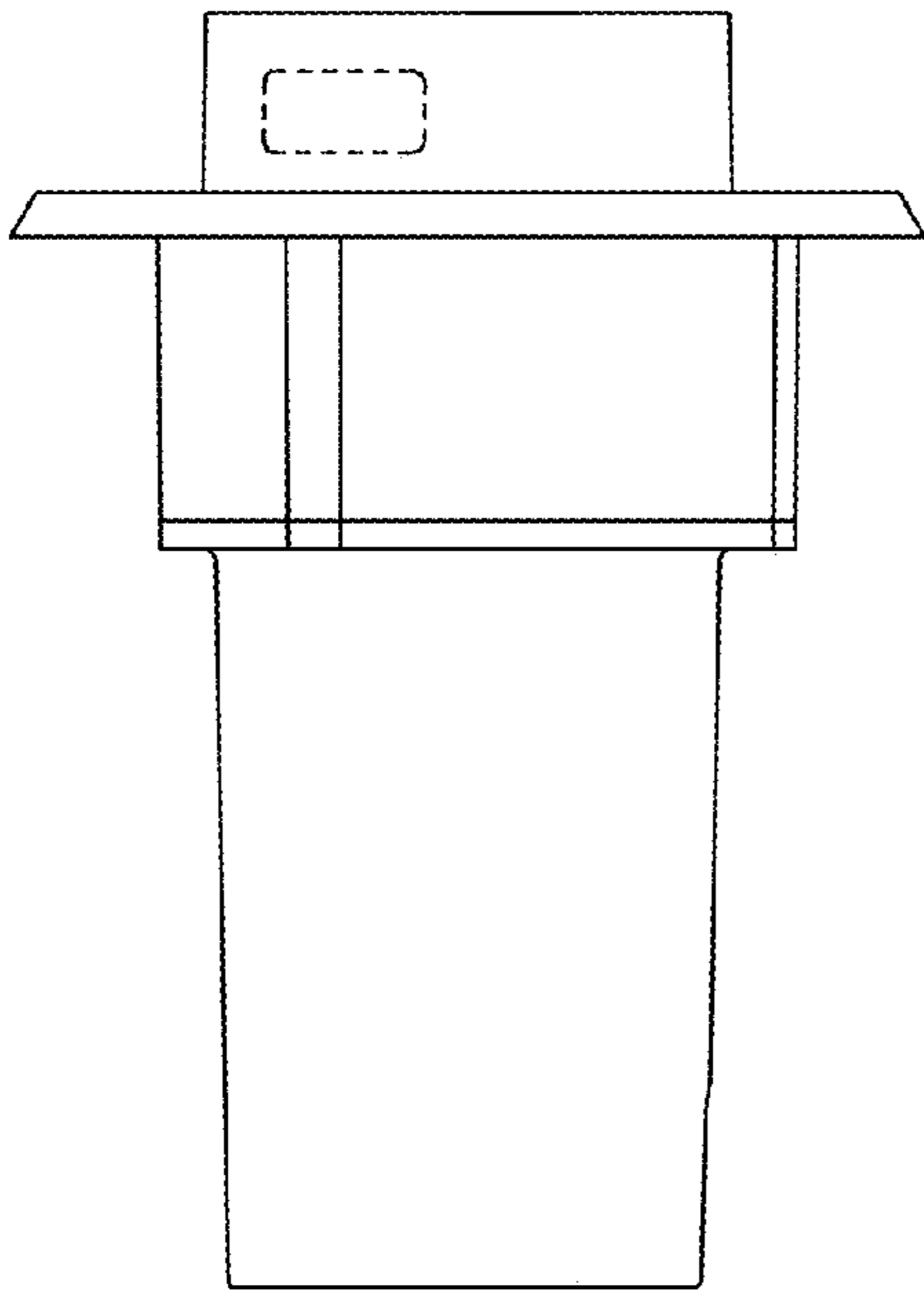


FIGURE 5

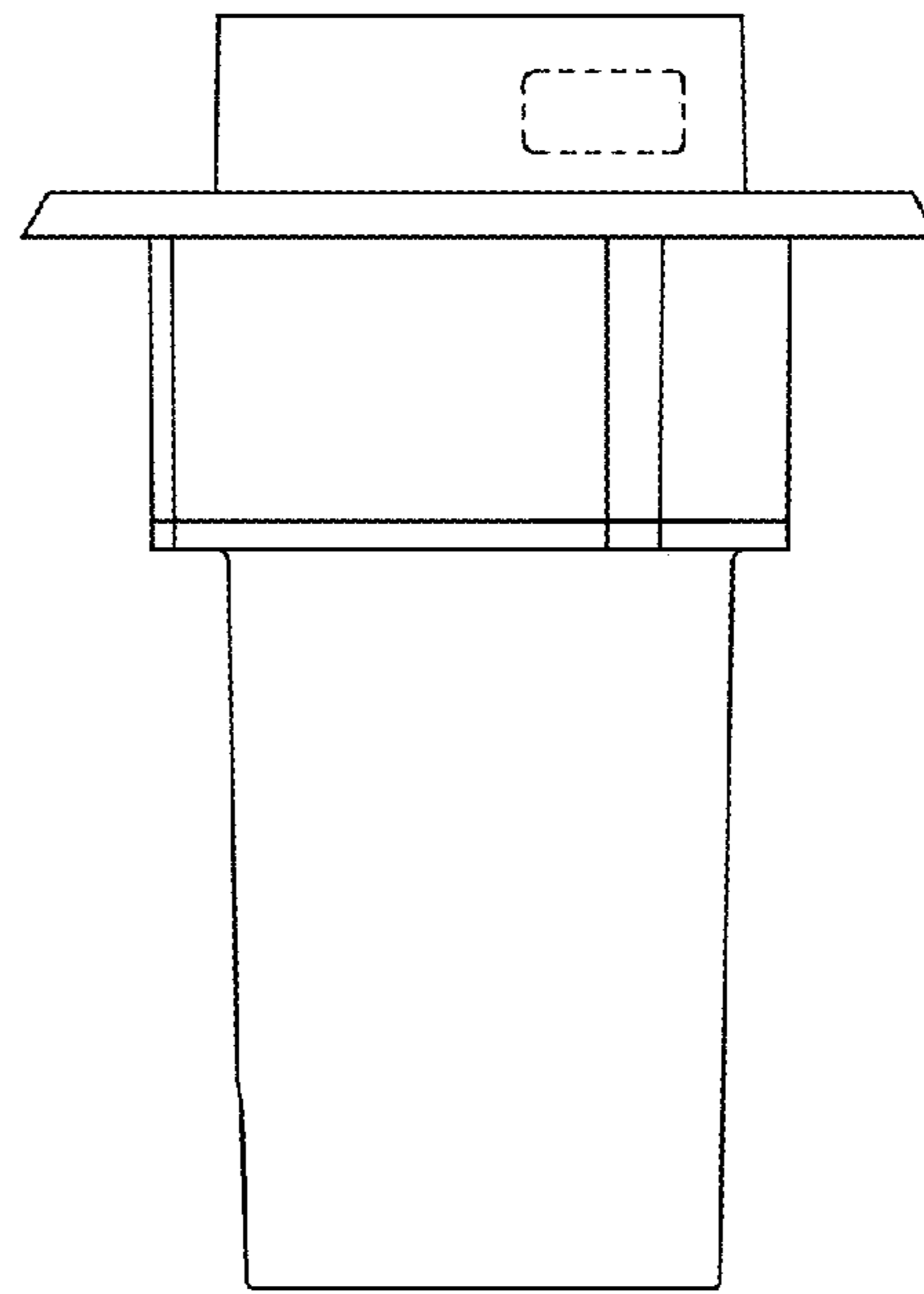


FIGURE 6

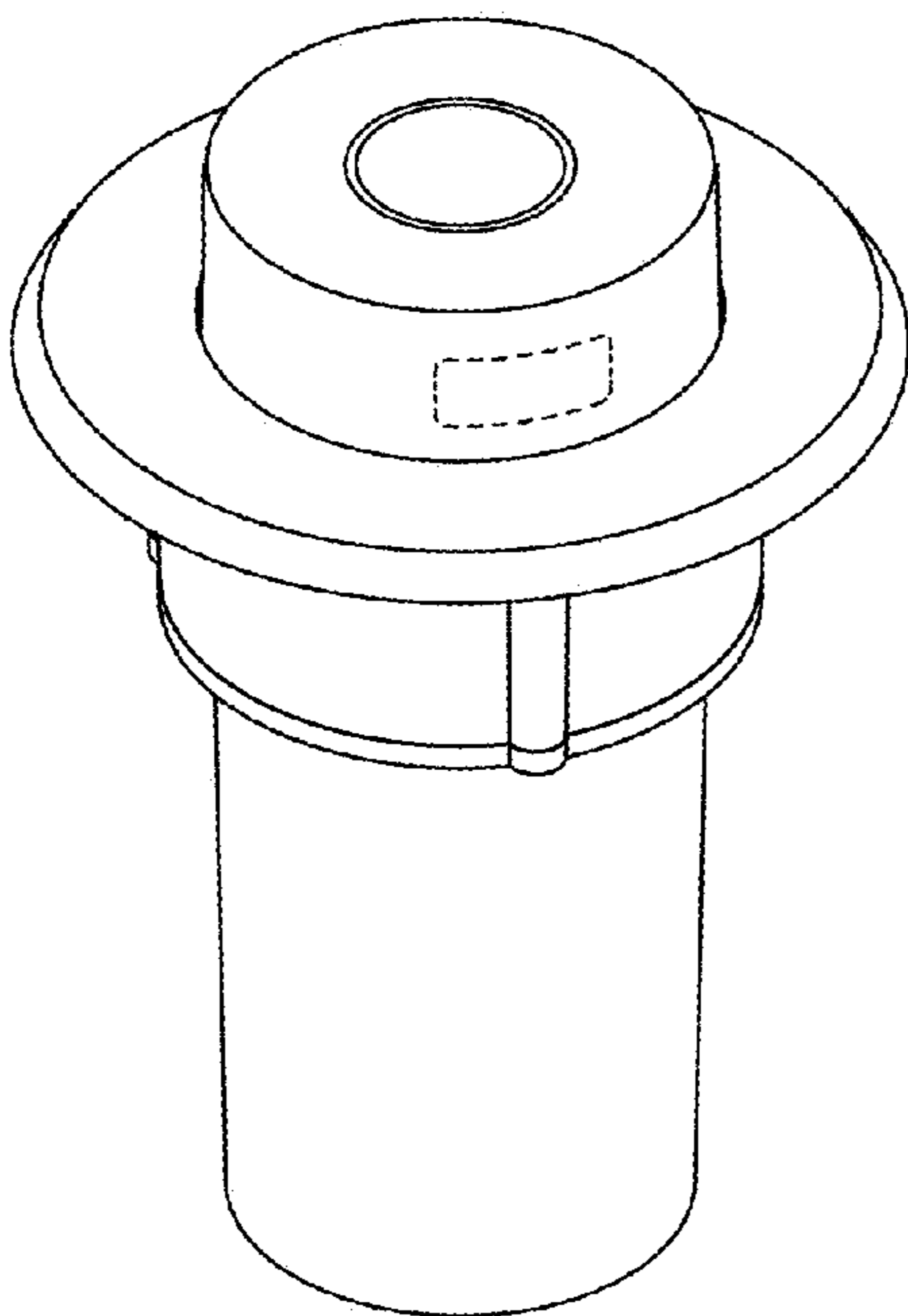


FIGURE 7

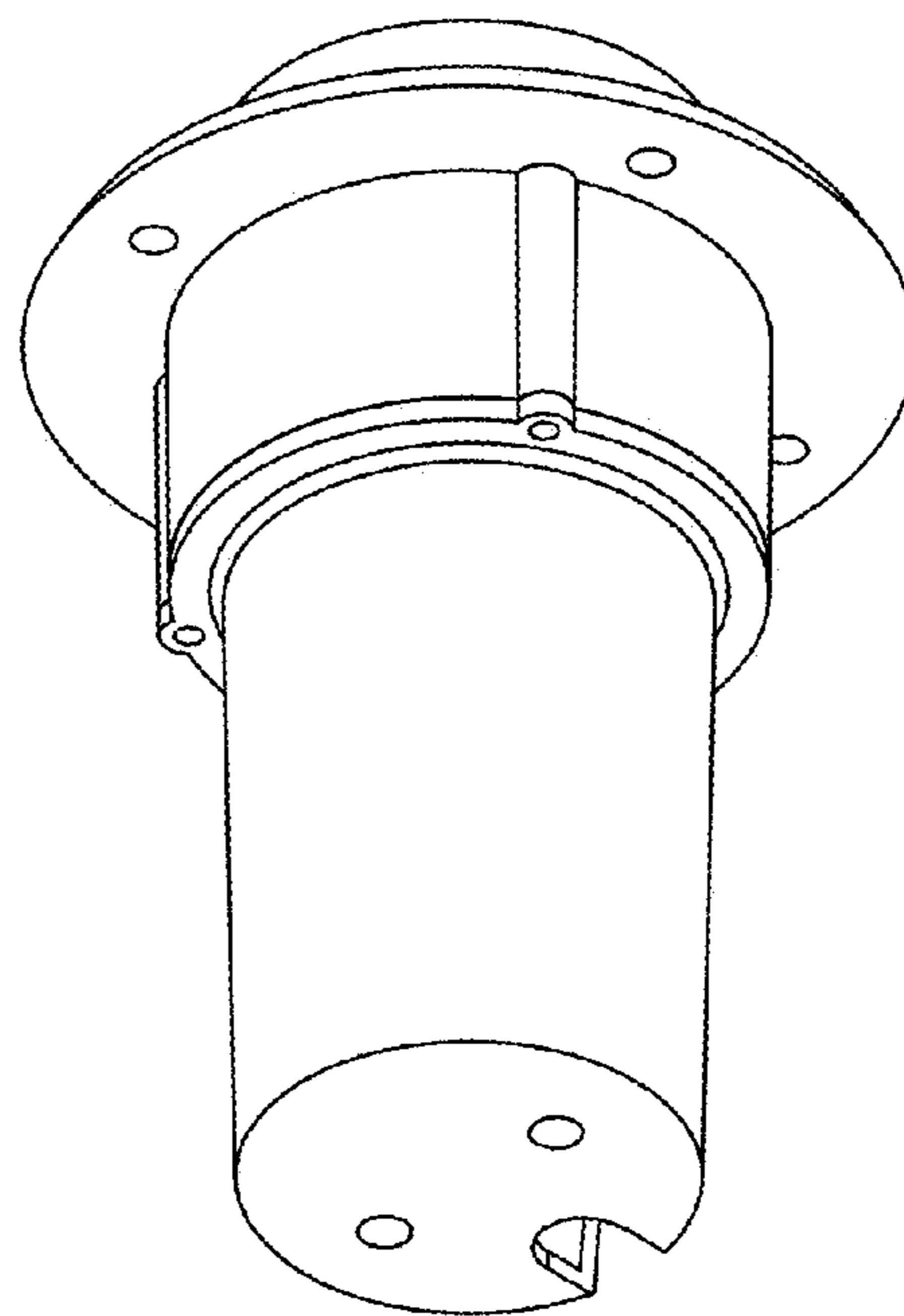


FIGURE 8

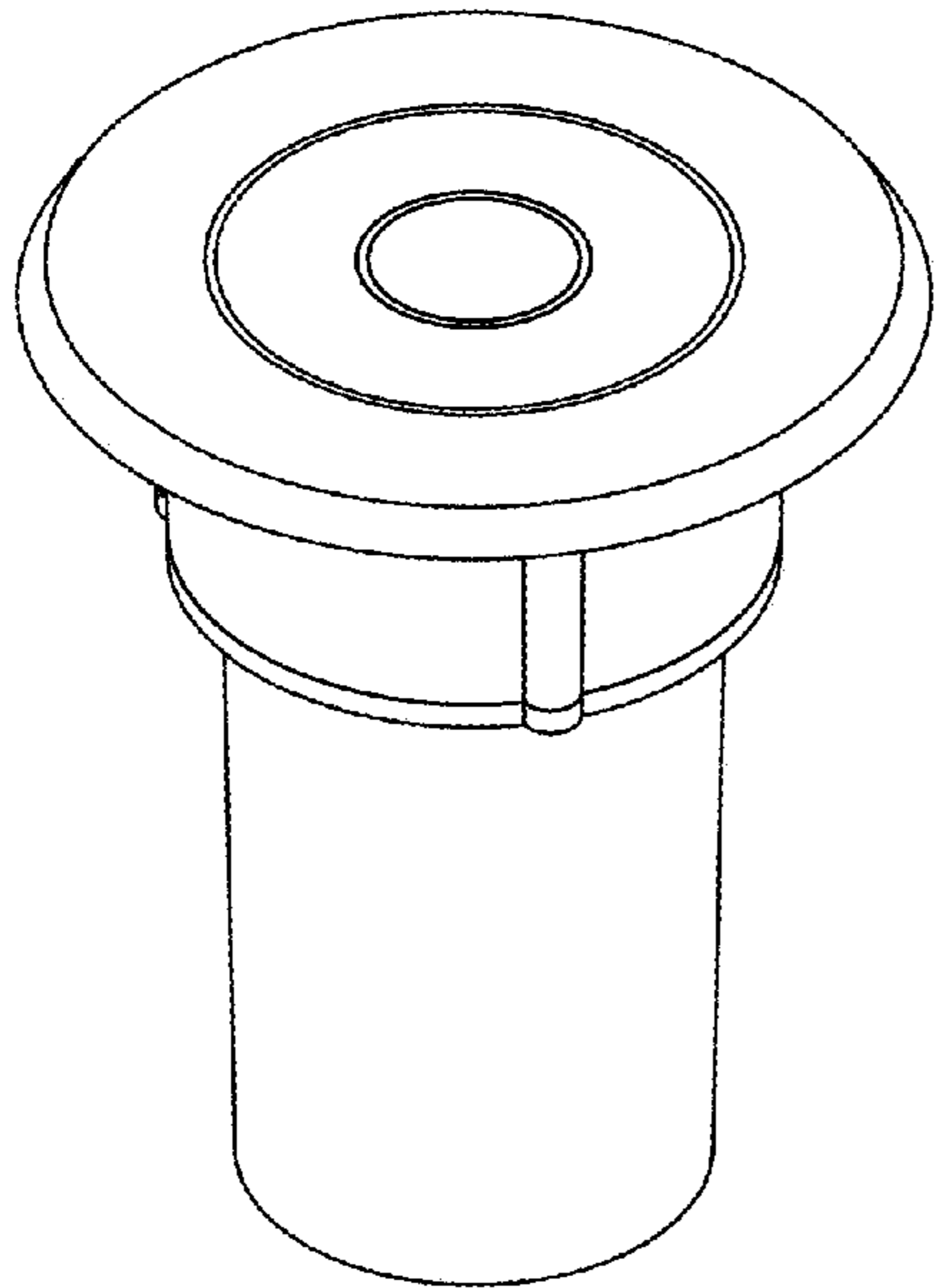


FIGURE 9

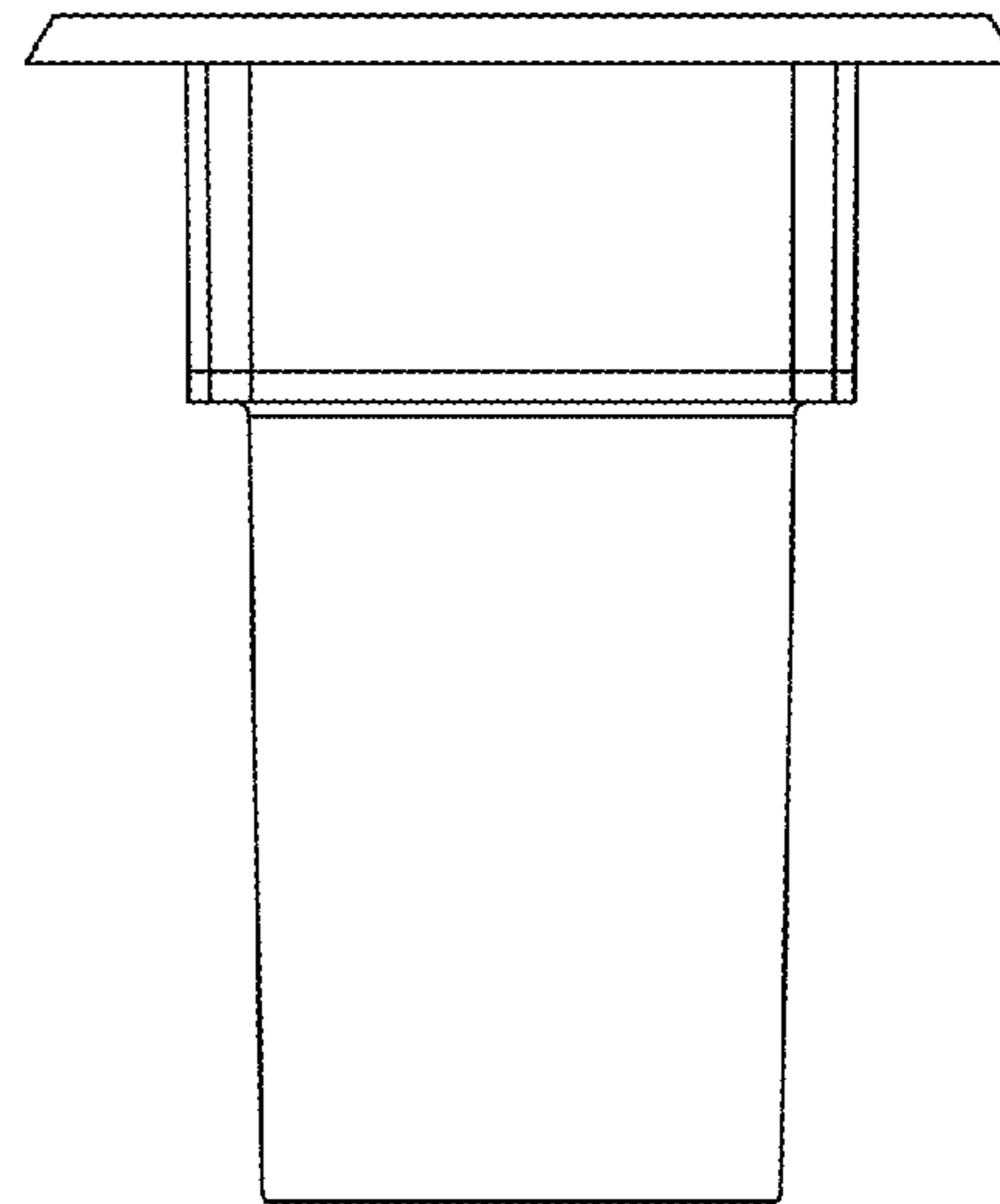


FIGURE 11

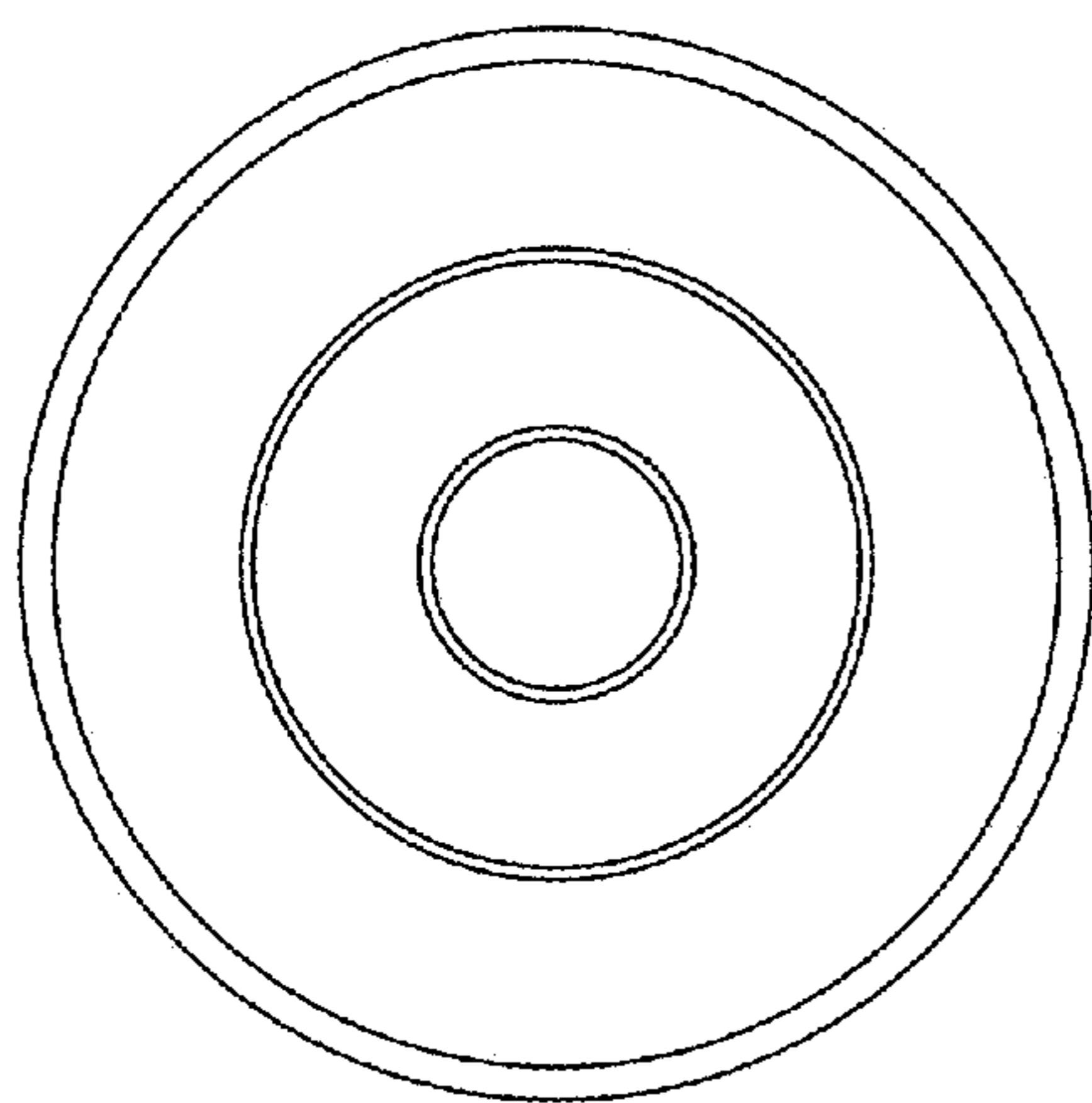


FIGURE 10

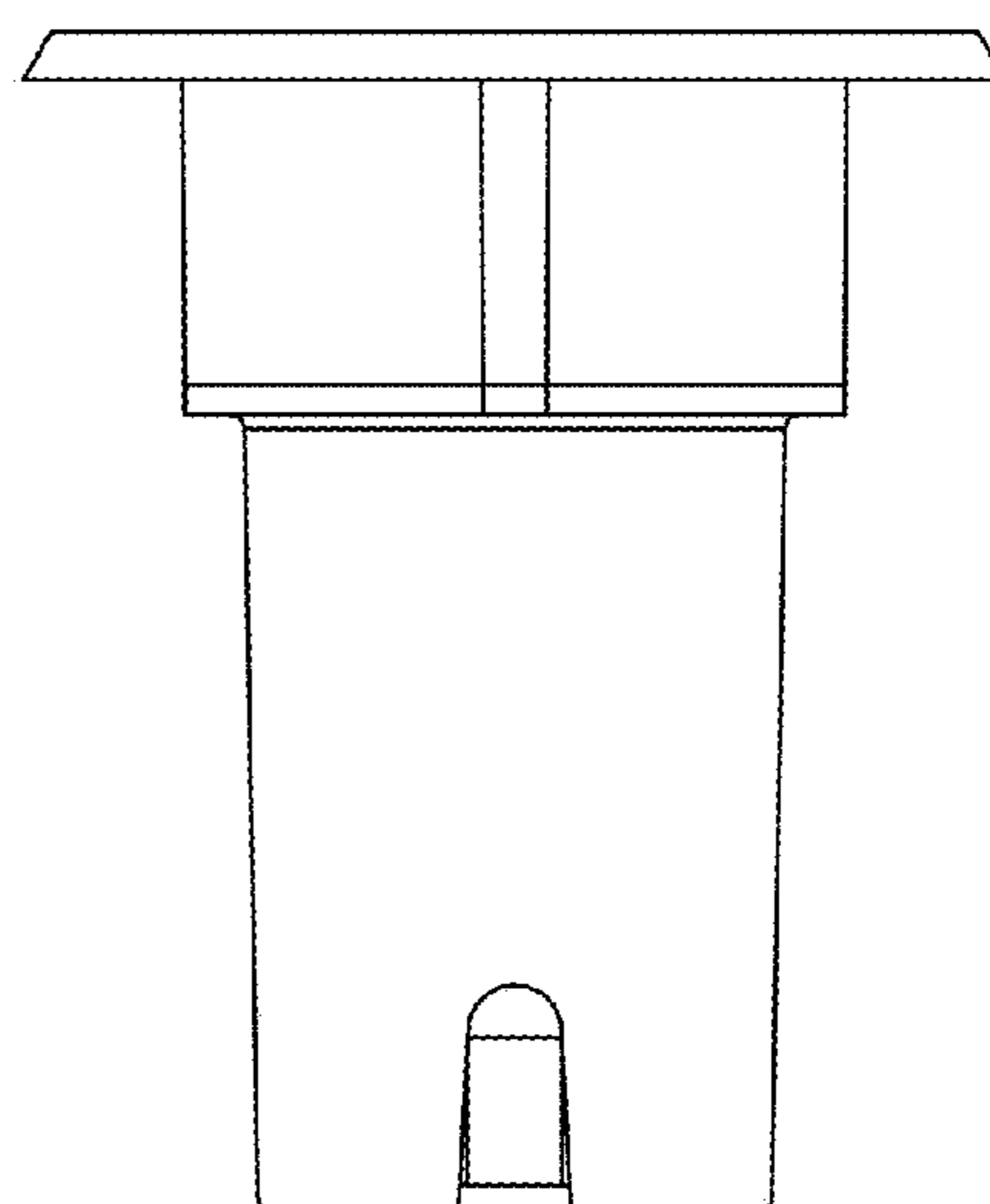


FIGURE 12

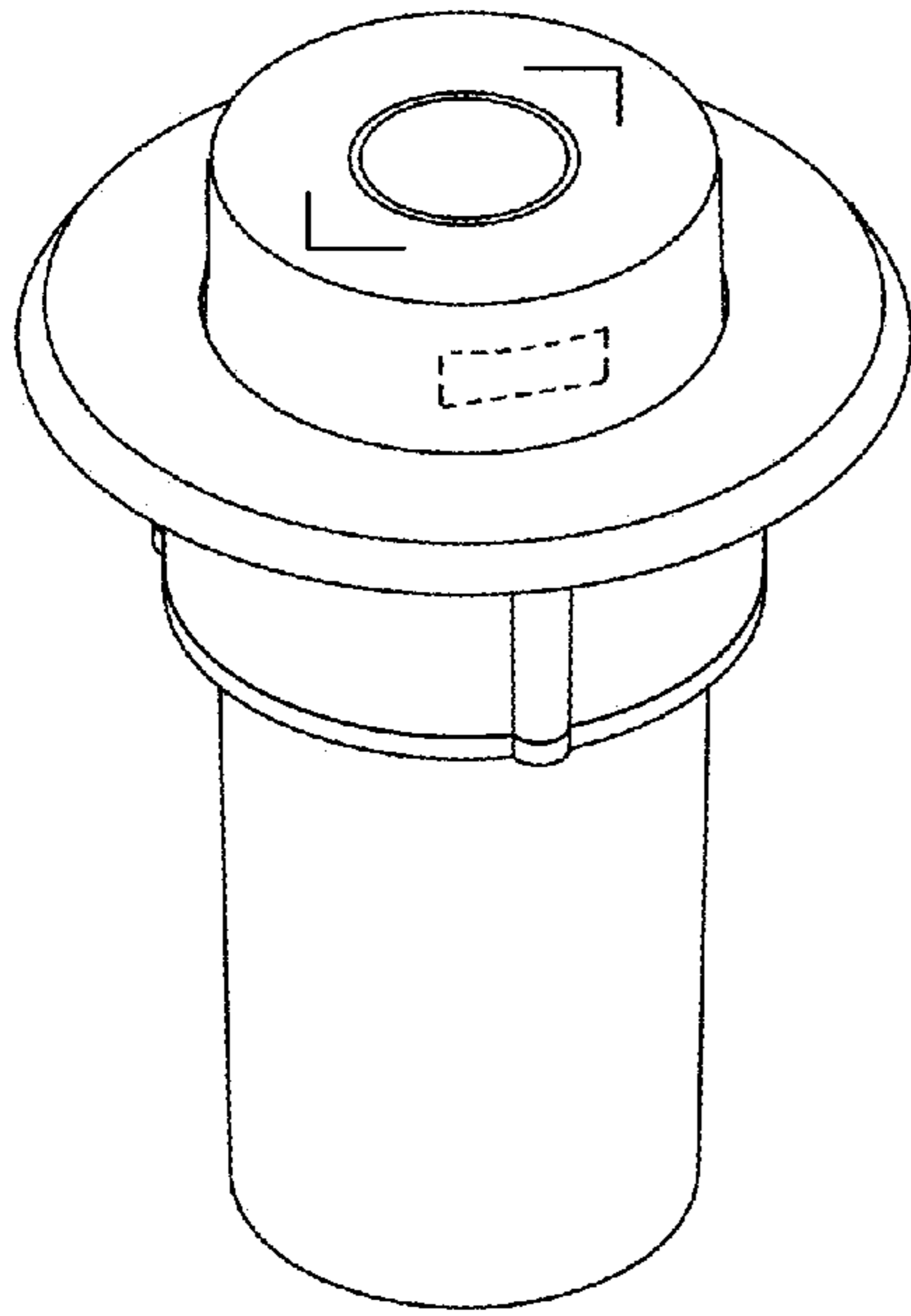


FIGURE 13

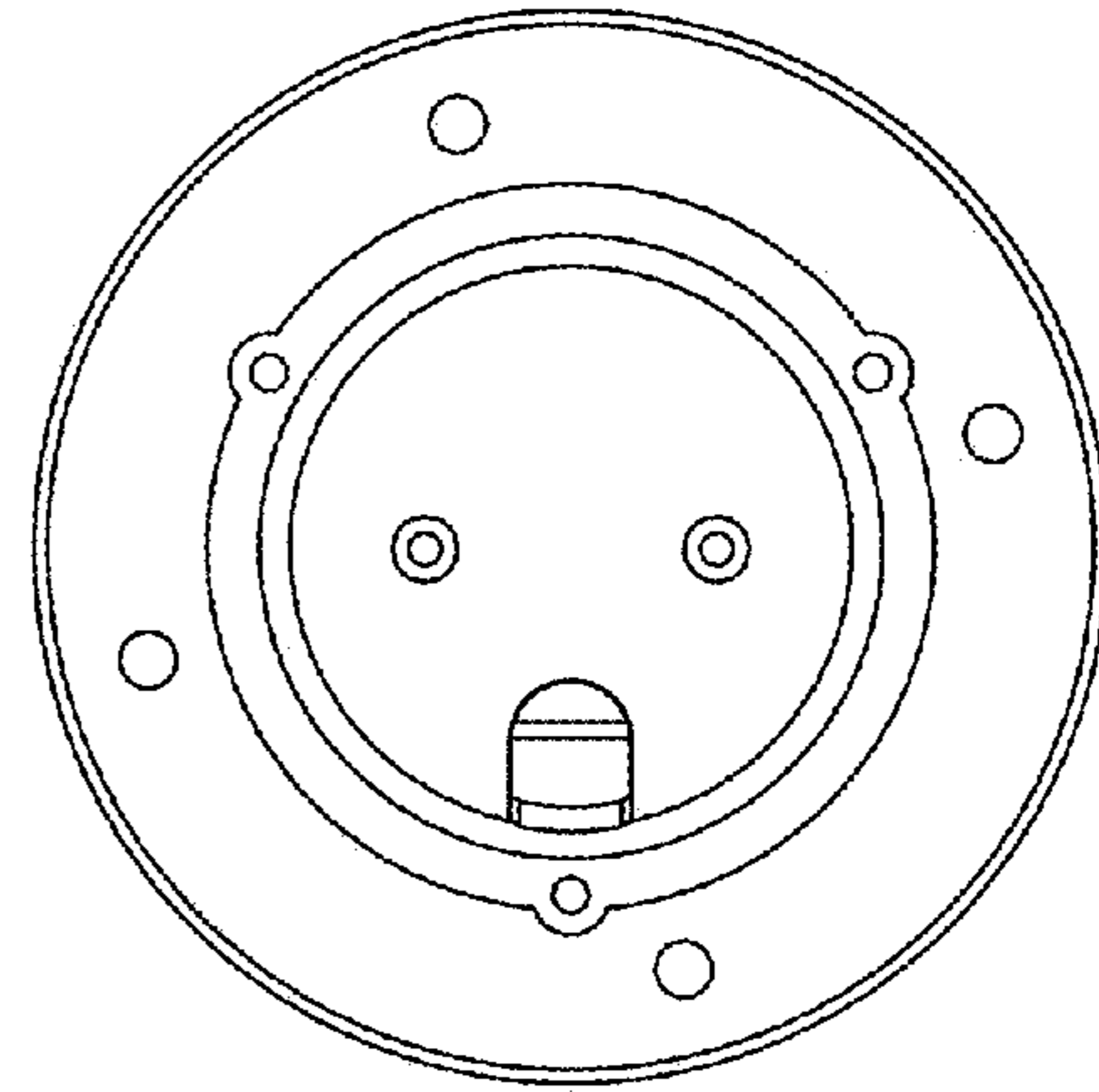


FIGURE 15

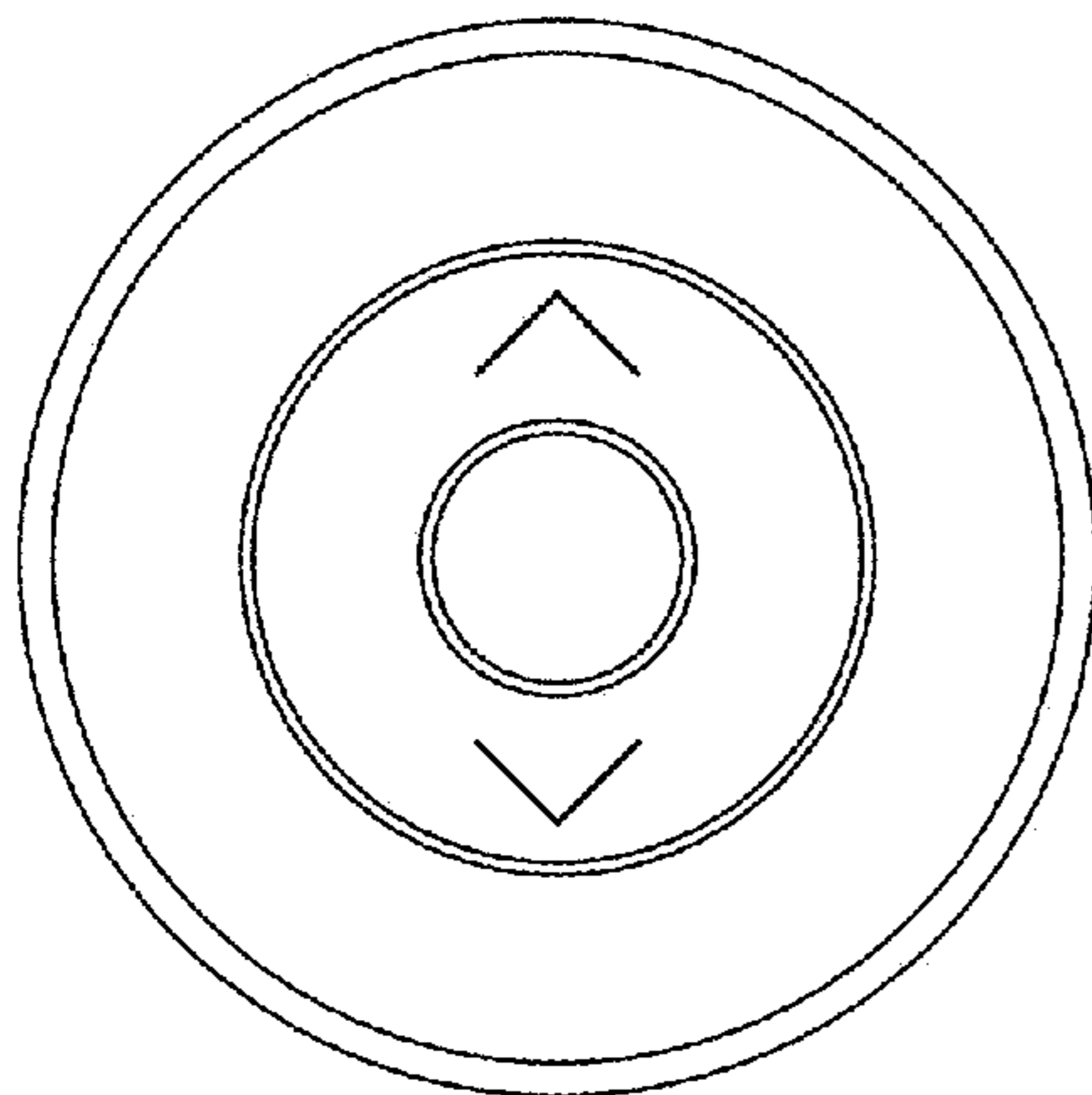


FIGURE 14

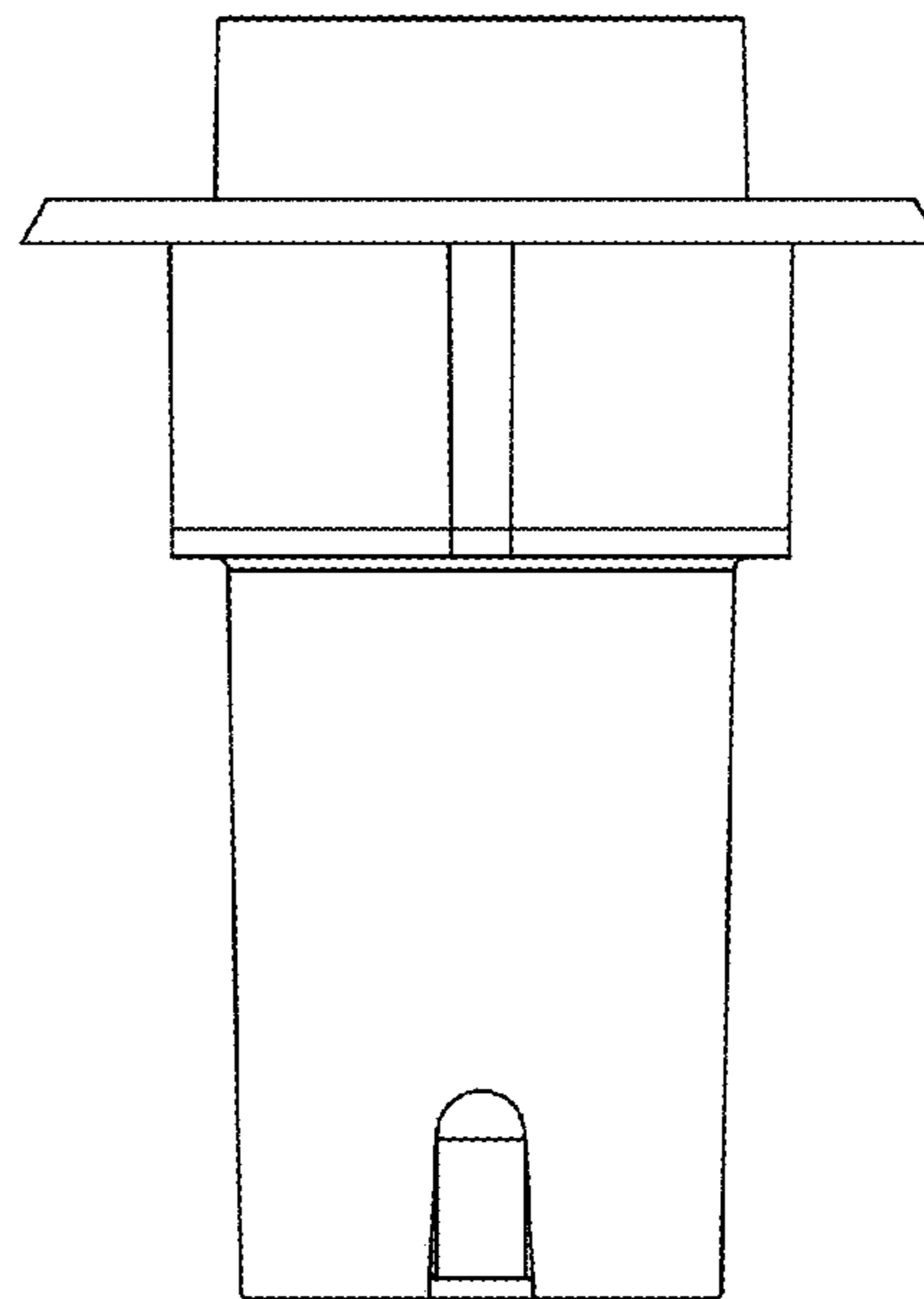


FIGURE 16

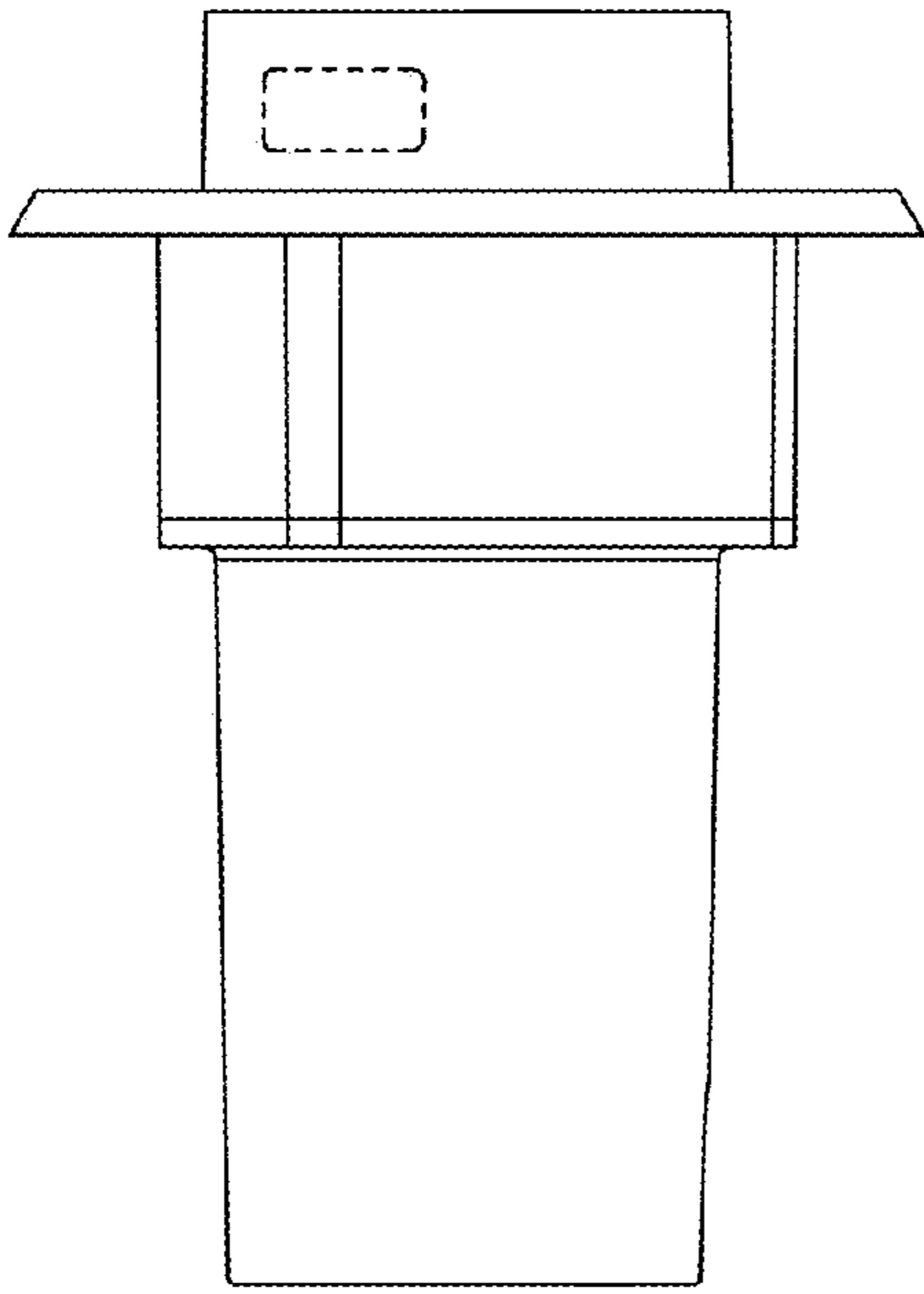


FIGURE 17

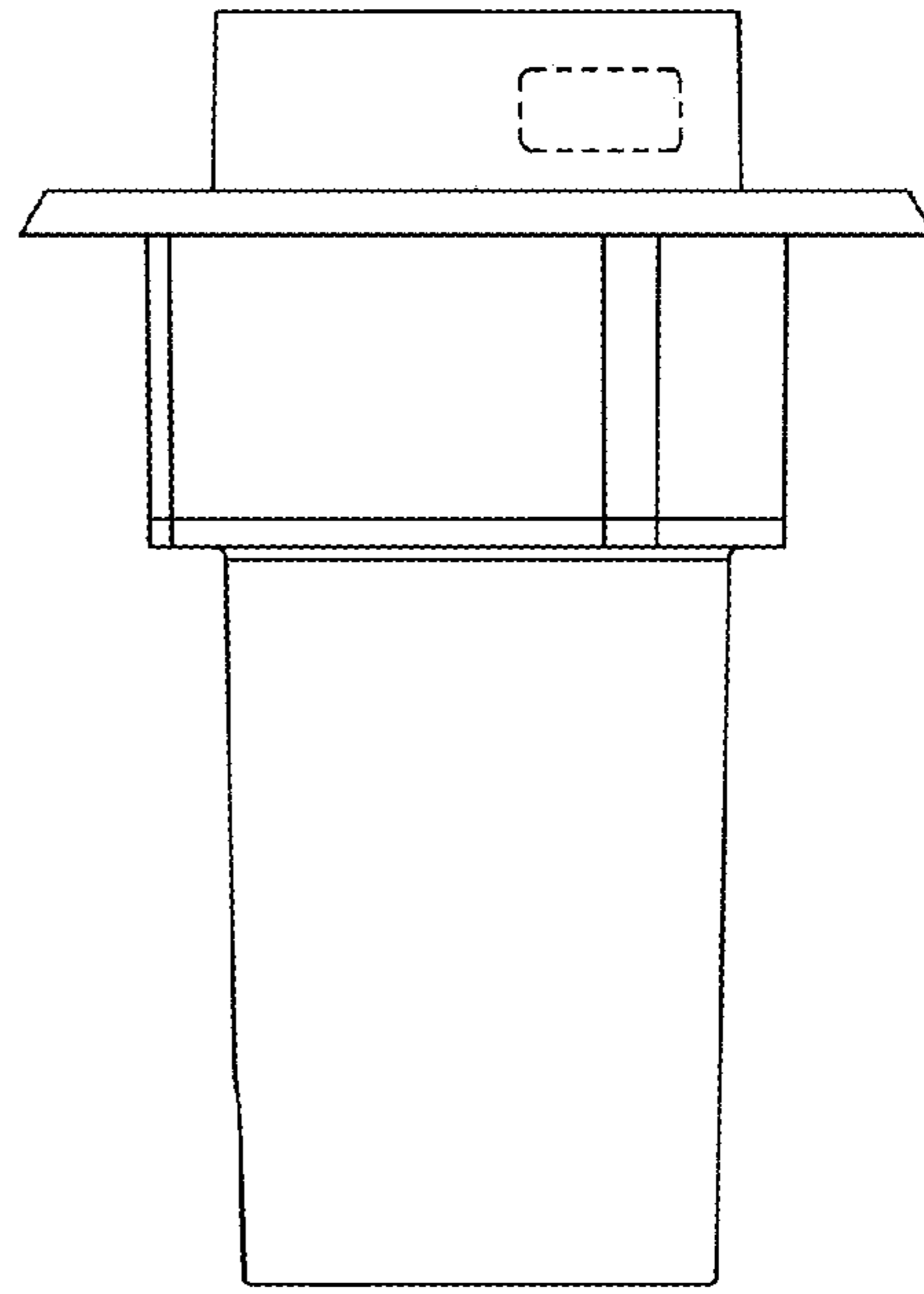


FIGURE 18

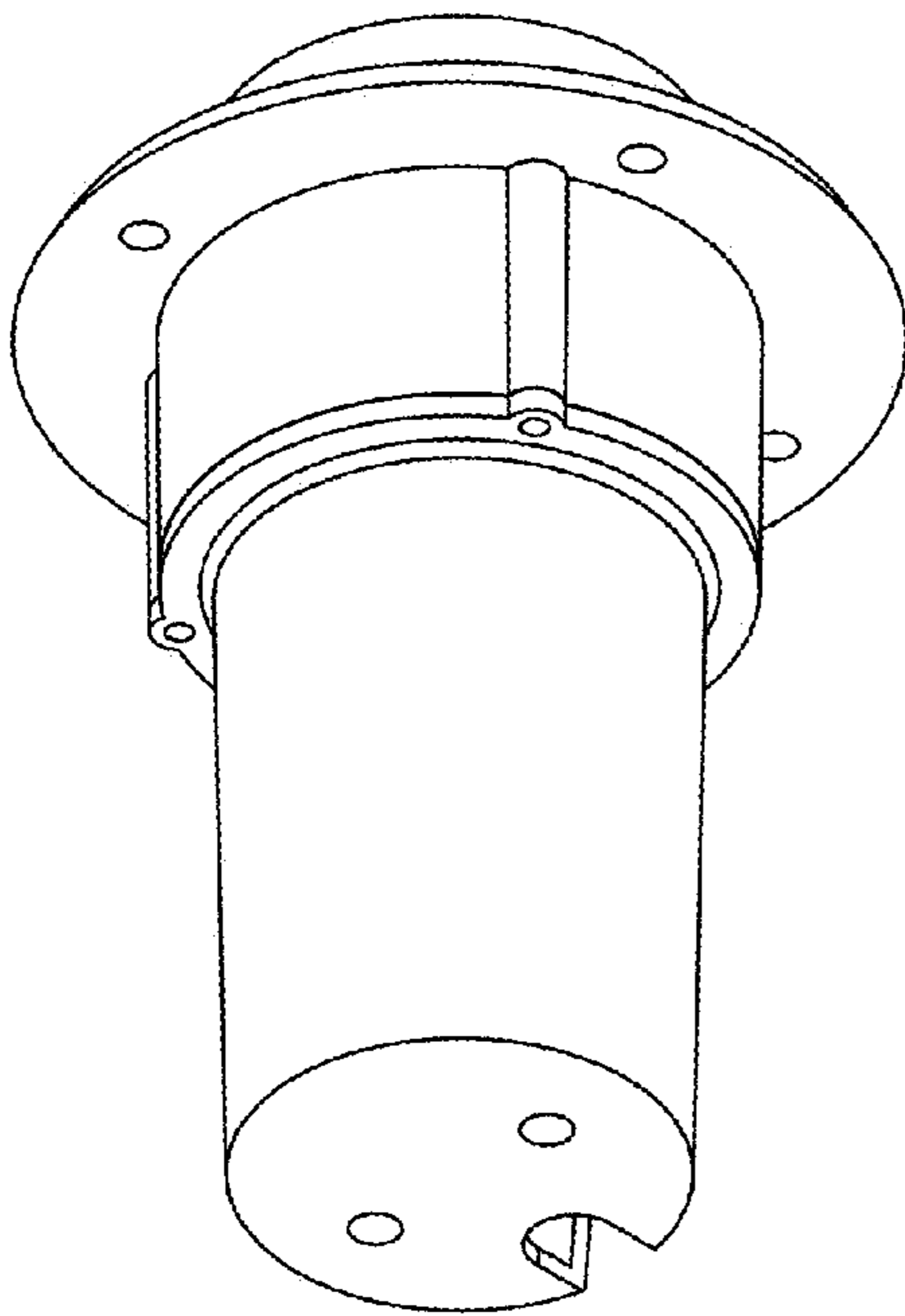


FIGURE 19

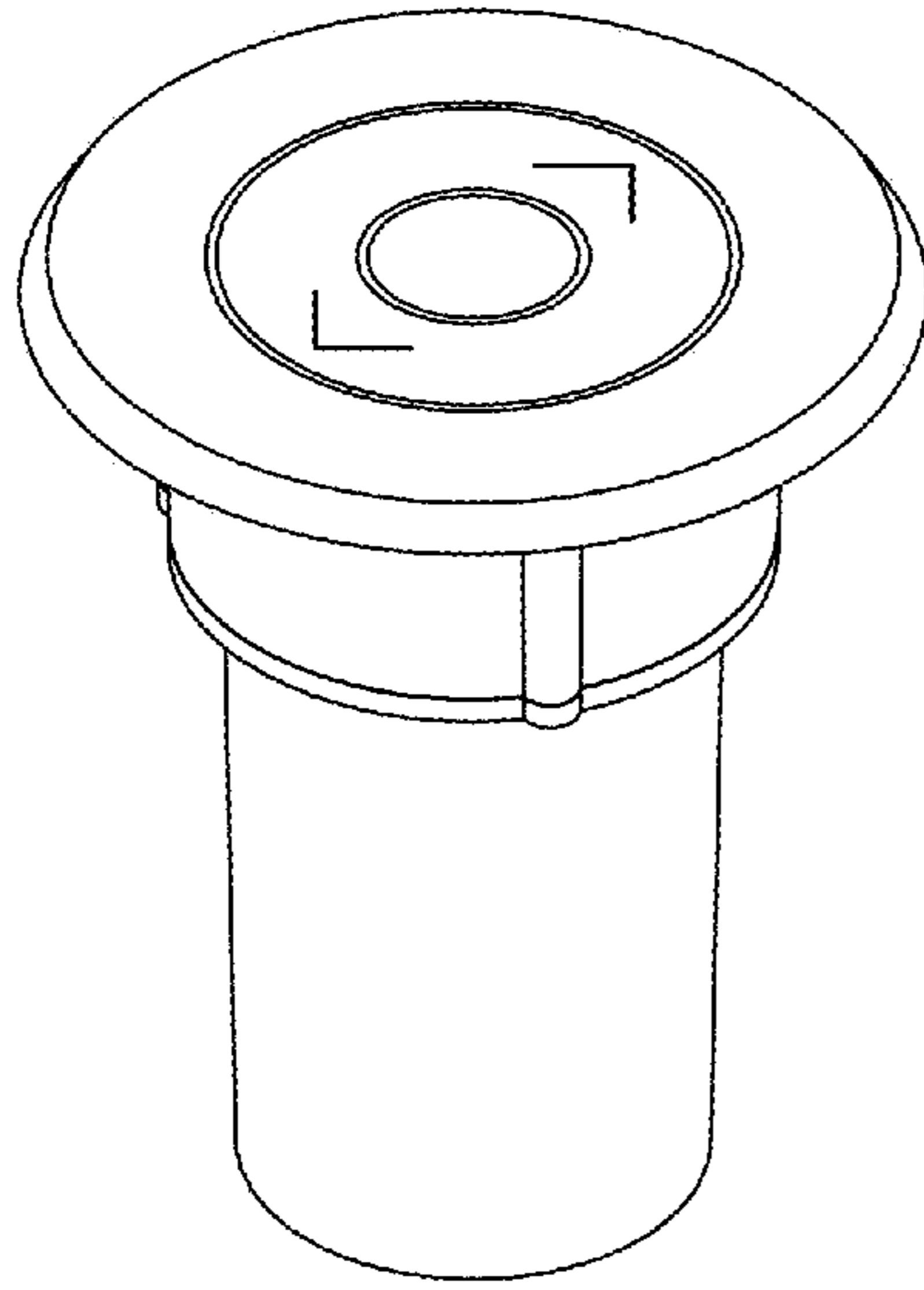


FIGURE 20

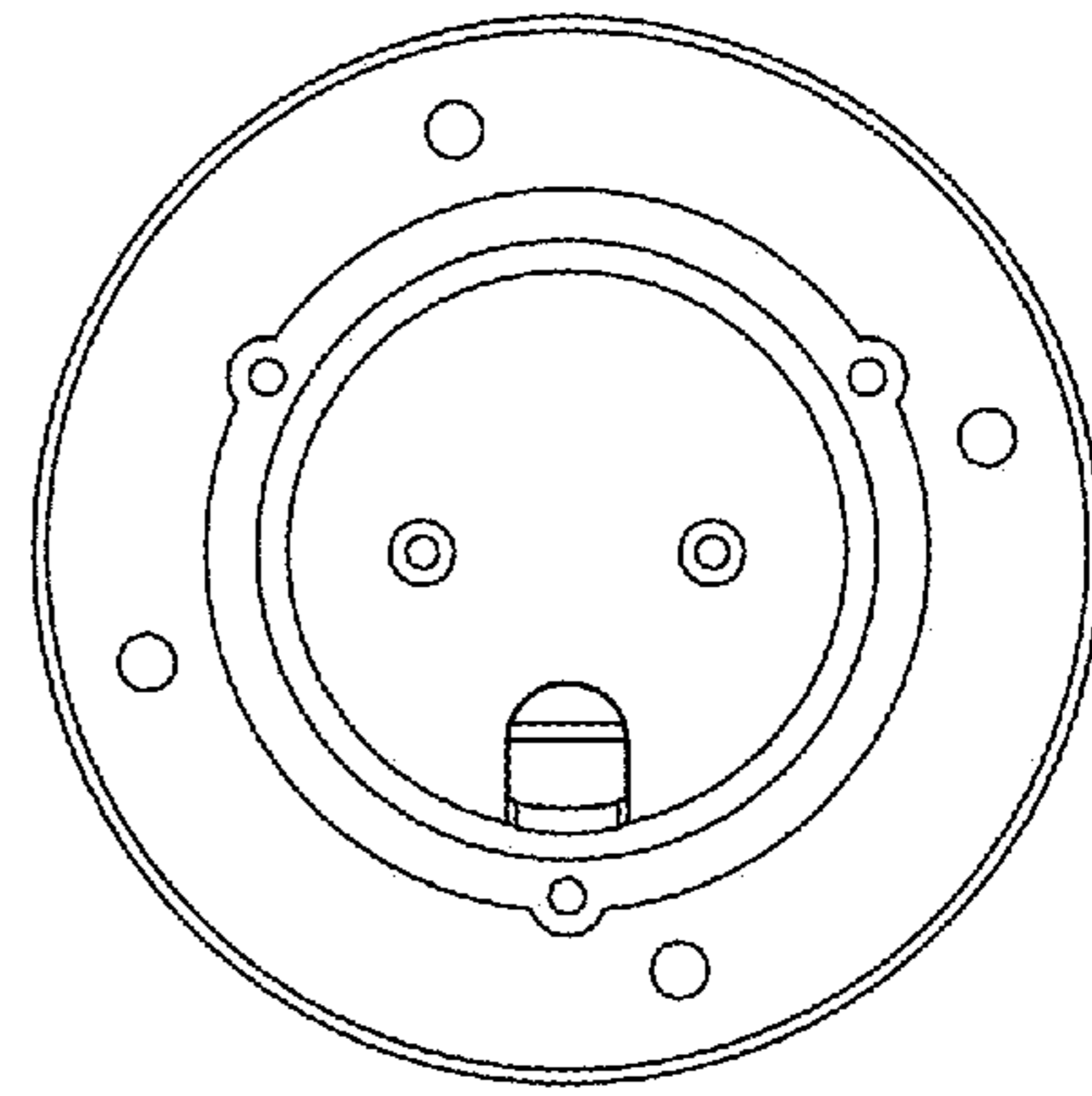


FIGURE 22

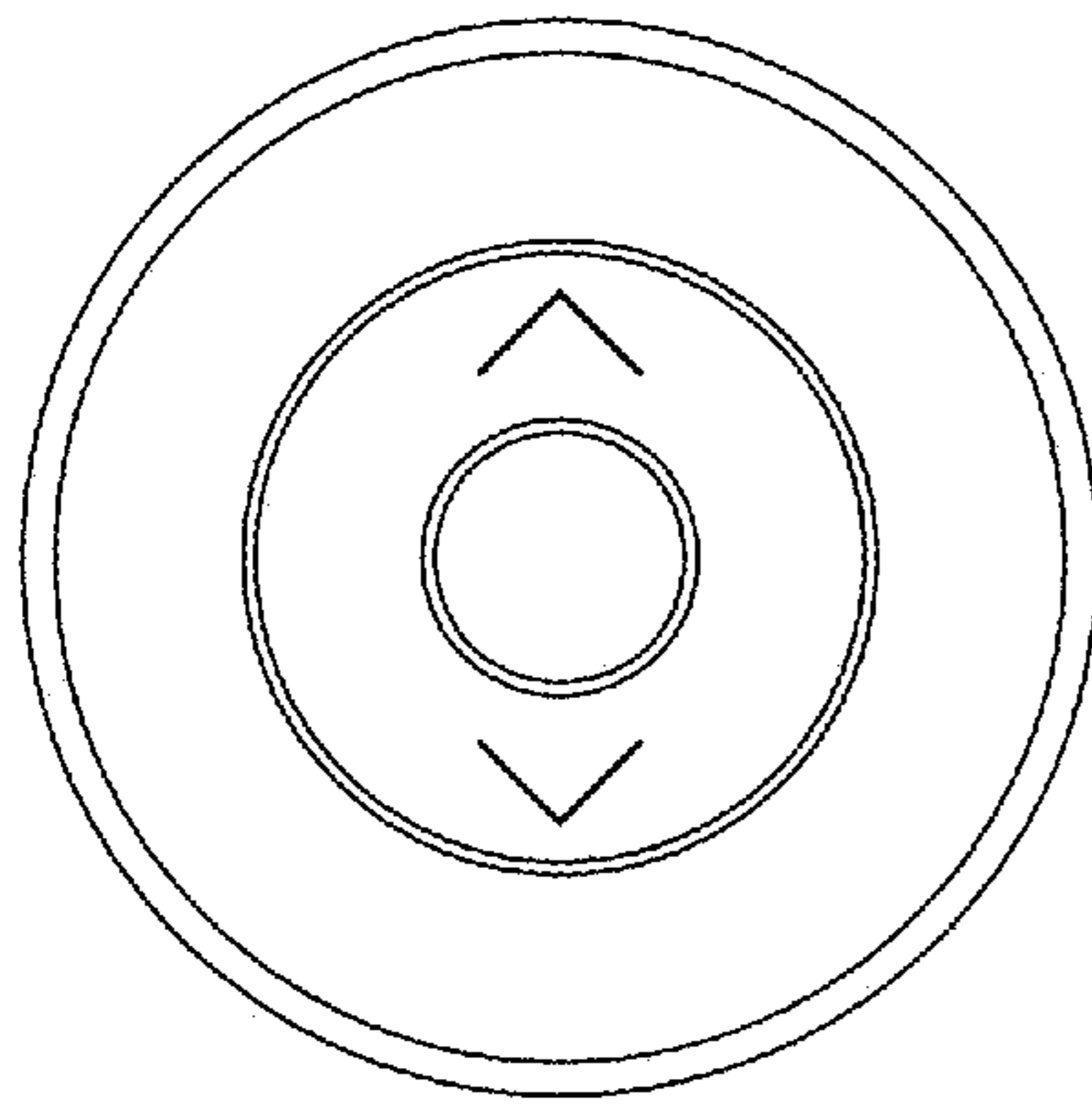


FIGURE 21

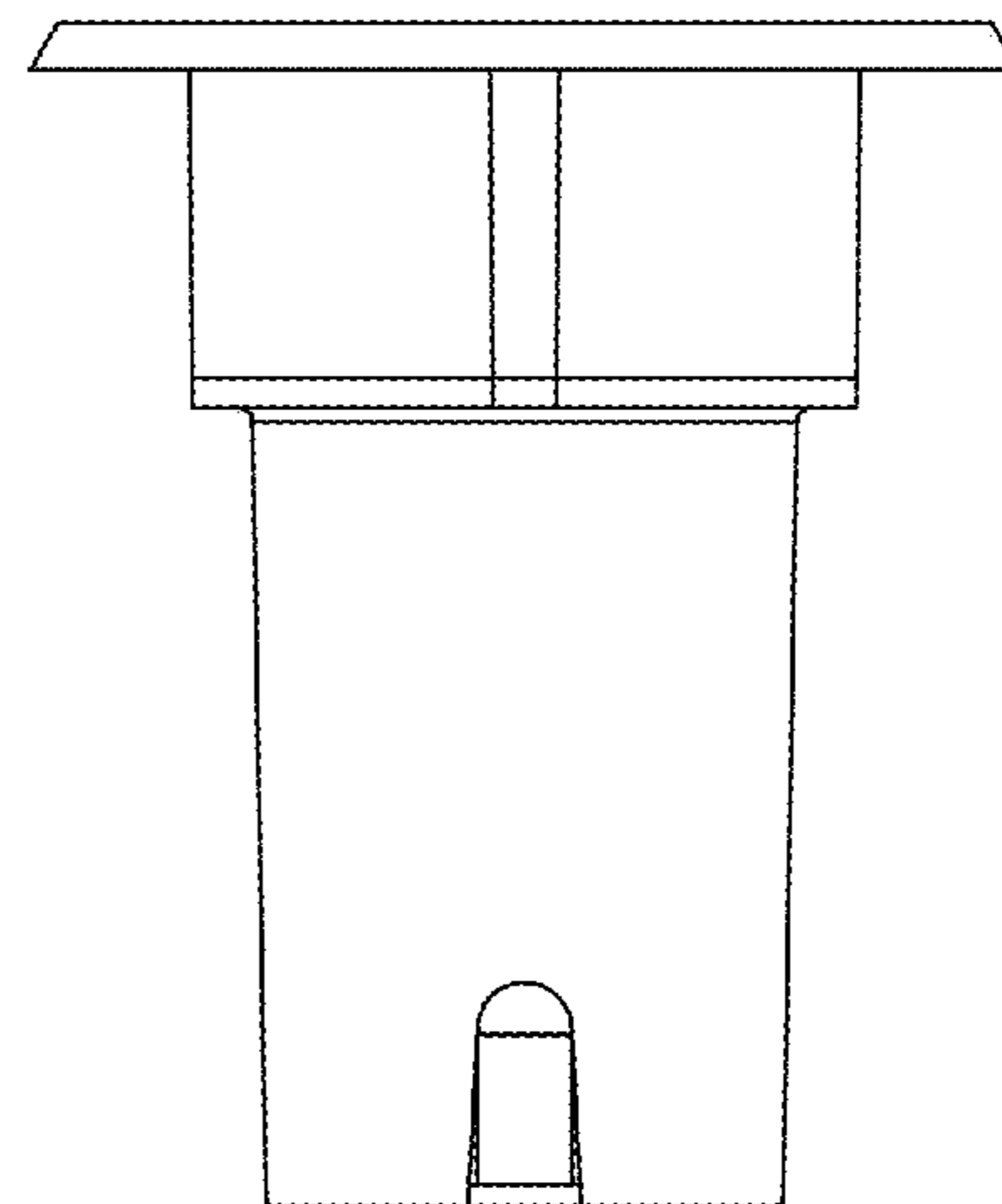


FIGURE 23