



US00D739360S

(12) **United States Design Patent**
Shippen

(10) **Patent No.:** **US D739,360 S**

(45) **Date of Patent:** **** Sep. 22, 2015**

(54) **CONTROLLER**

(71) Applicant: **Skydrop, LLC**, Alpine, UT (US)

(72) Inventor: **Scott M. Shippen**, Orem, UT (US)

(**) Term: **14 Years**

(21) Appl. No.: **29/478,537**

(22) Filed: **Jan. 6, 2014**

(51) **LOC (10) Cl.** **14-03**

(52) **U.S. Cl.**
USPC **D13/168**

(58) **Field of Classification Search**
USPC D13/162, 168; D14/218
CPC ... A01G 25/16; A01G 25/165; A01G 27/003;
G05B 15/02; G05B 19/02; G05B 19/04;
G05B 19/042

See application file for complete search history.

(56) **References Cited**

U.S. PATENT DOCUMENTS

6,402,049	B1 *	6/2002	Youngs, Jr.	239/70
D563,907	S *	3/2008	Badarello	D13/168
D564,456	S *	3/2008	Weiler et al.	D13/162
D570,793	S *	6/2008	Ikeda et al.	D13/168
D603,347	S *	11/2009	Sacks et al.	D13/162
D603,348	S *	11/2009	Sacks et al.	D13/162
D607,847	S *	1/2010	Elliott et al.	D13/168
D608,301	S *	1/2010	Clark et al.	D13/162
D611,914	S *	3/2010	Chiang et al.	D13/164
8,104,509	B2 *	1/2012	Leer et al.	137/624.11
8,251,300	B2 *	8/2012	Wilson	239/70
D691,966	S *	10/2013	Stossell	D13/162
D693,332	S *	11/2013	Lee et al.	D14/218
2006/0030971	A1 *	2/2006	Nelson et al.	700/284
2007/0156290	A1 *	7/2007	Froman et al.	700/284

2009/0065606	A1 *	3/2009	Lee et al.	239/67
2010/0230510	A1 *	9/2010	Wilson	239/70
2012/0290139	A1 *	11/2012	Brundisini	700/284
2014/0069506	A1 *	3/2014	Helmsderfer et al.	137/1
2014/0229024	A1 *	8/2014	Wang	700/284
2015/0032273	A1 *	1/2015	Romney et al.	700/284

* cited by examiner

Primary Examiner — Selina Sikder

(74) *Attorney, Agent, or Firm* — Terrence J. Edwards;
TechLaw Ventures, PLLC

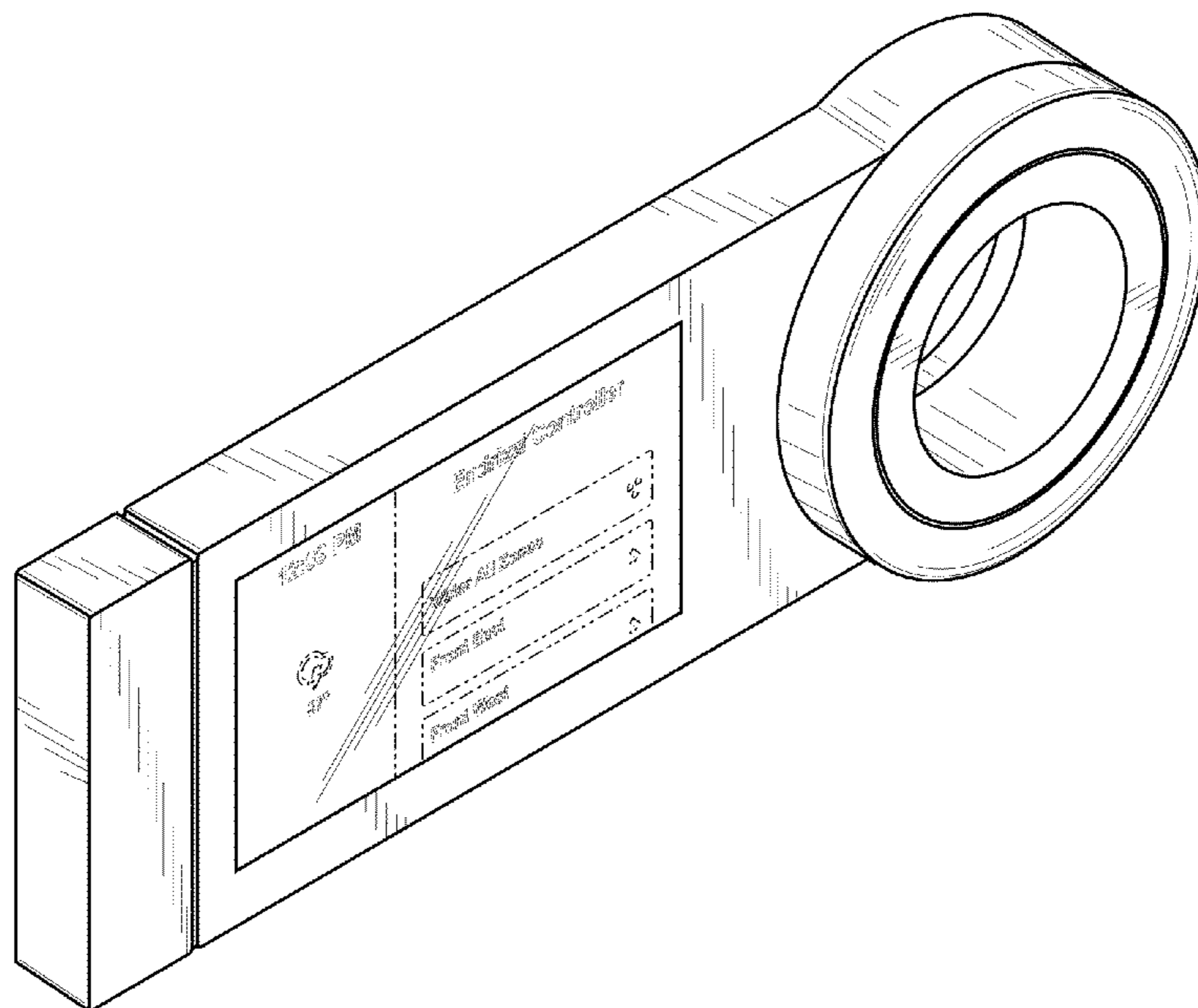
(57) **CLAIM**

I claim the ornamental design for a controller, as shown and described.

DESCRIPTION

FIG. 1 is a perspective view thereof;
 FIG. 2 is a front view thereof;
 FIG. 3 is a back view thereof;
 FIG. 4 is a top view thereof;
 FIG. 5 is a bottom view thereof;
 FIG. 6 is a side view thereof;
 FIG. 7 is a side view thereof;
 FIG. 8 is a perspective view of an alternative embodiment thereof;
 FIG. 9 is a front view of an alternative embodiment thereof;
 FIG. 10 is a back view of an alternative embodiment thereof;
 FIG. 11 is a top view of an alternative embodiment thereof;
 FIG. 12 is a bottom view of an alternative embodiment thereof;
 FIG. 13 is a side view of an alternative embodiment thereof;
 and,
 FIG. 14 is a side view of an alternative embodiment thereof.
 The broken line showing of the controller is for illustrative purposes only and forms no part of the claimed design.

1 Claim, 4 Drawing Sheets



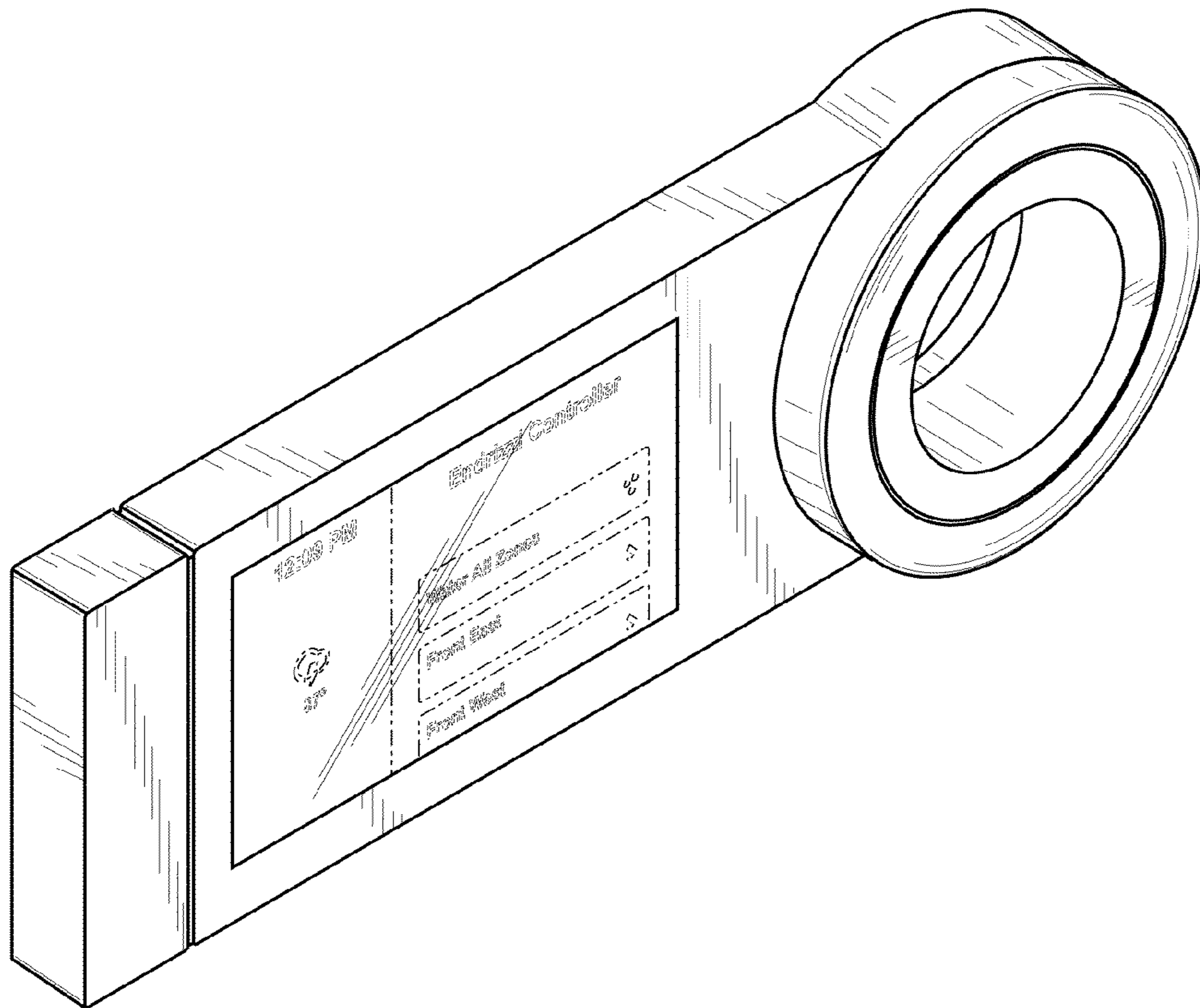


FIG. 1

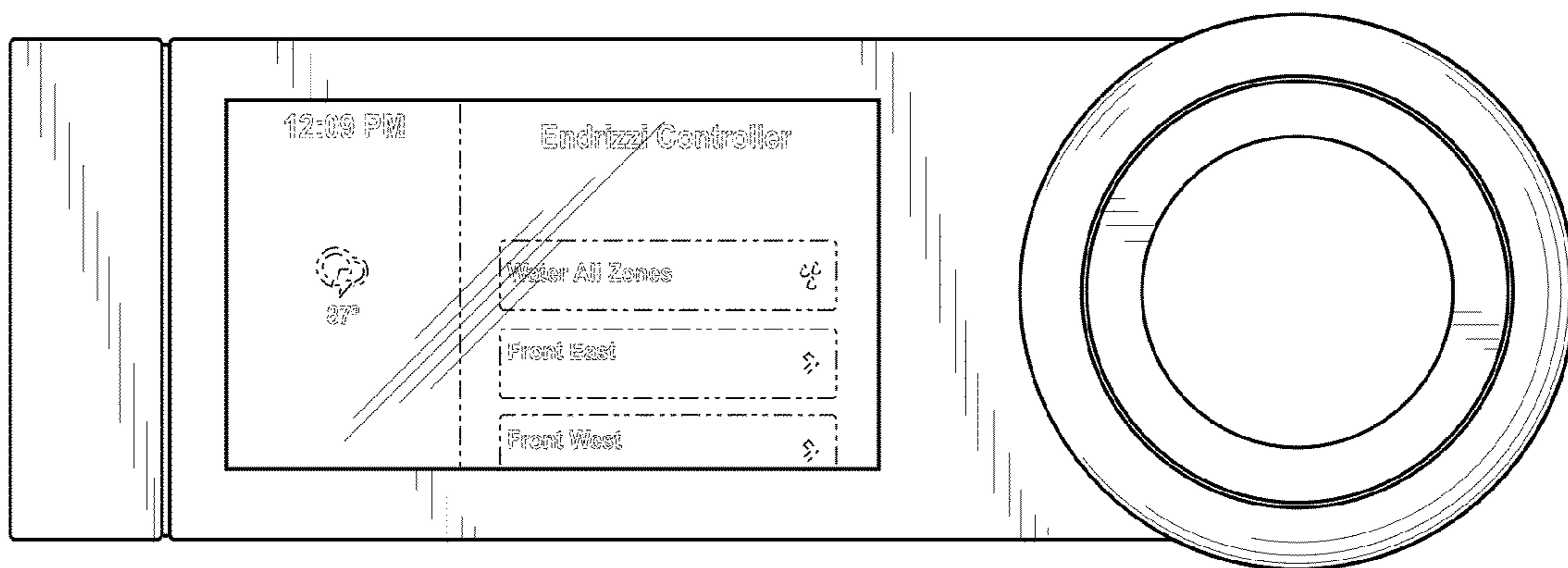


FIG. 2

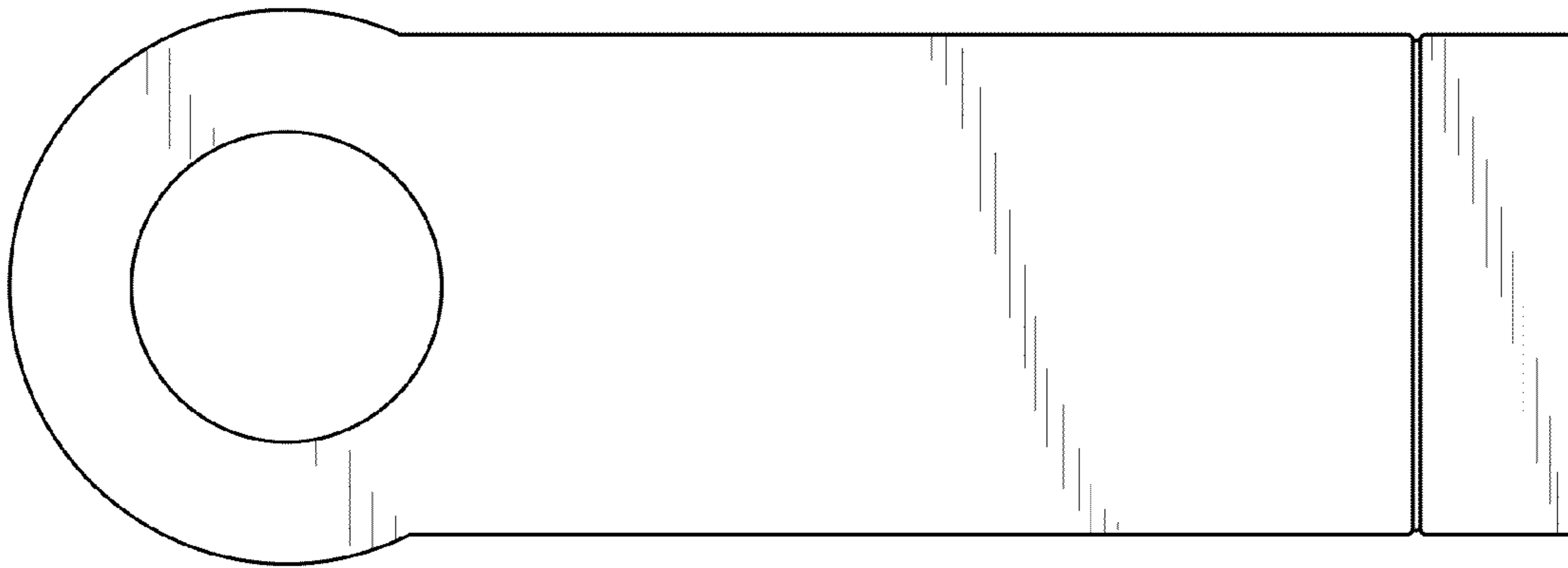


FIG. 3

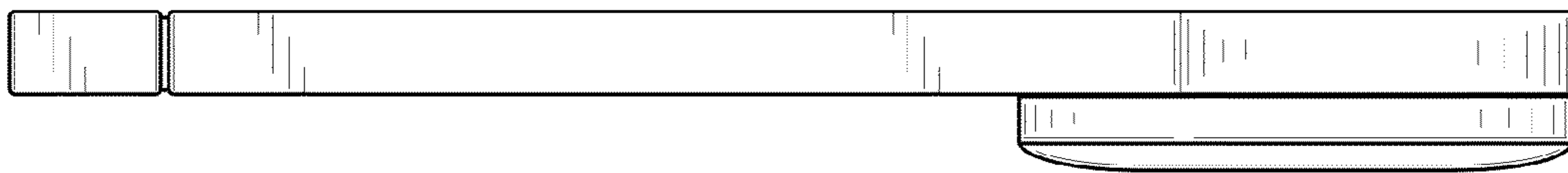


FIG. 4

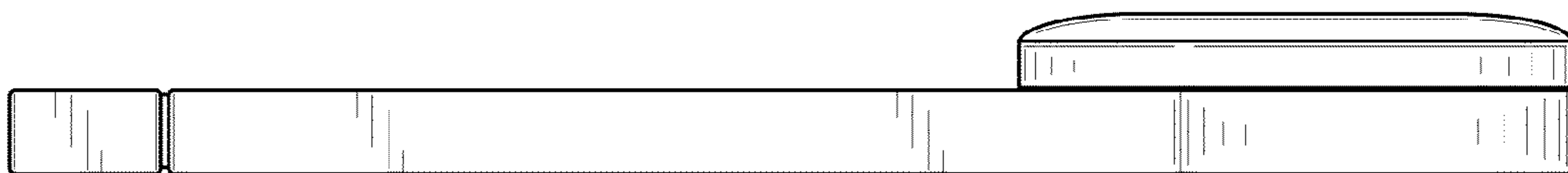


FIG. 5

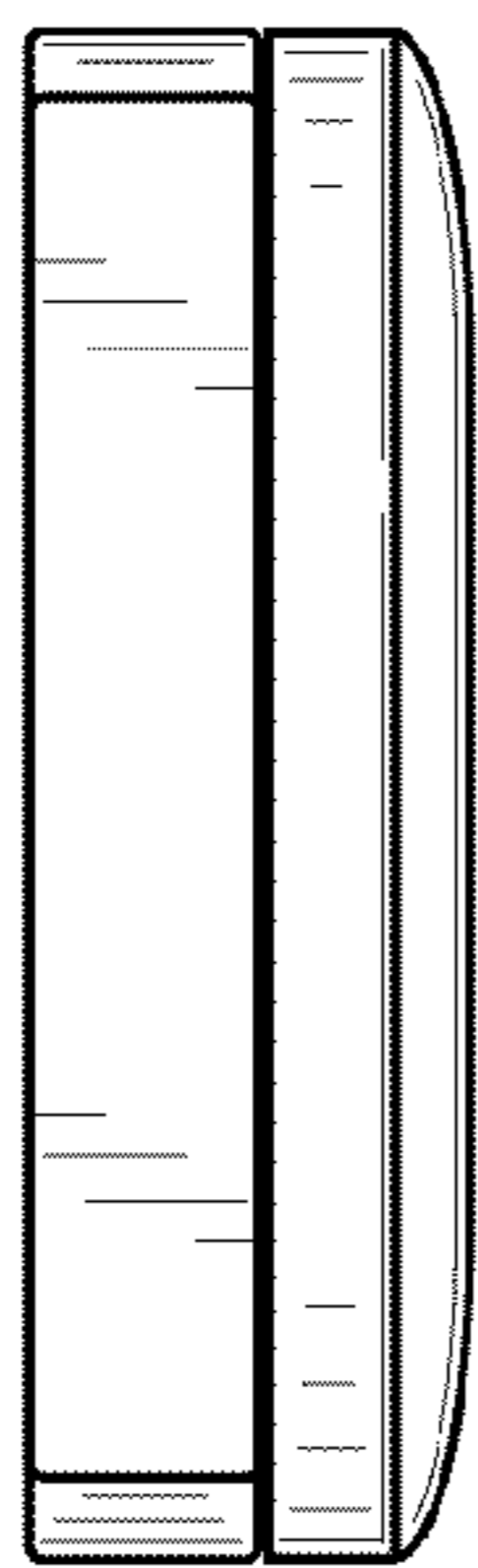


FIG. 6

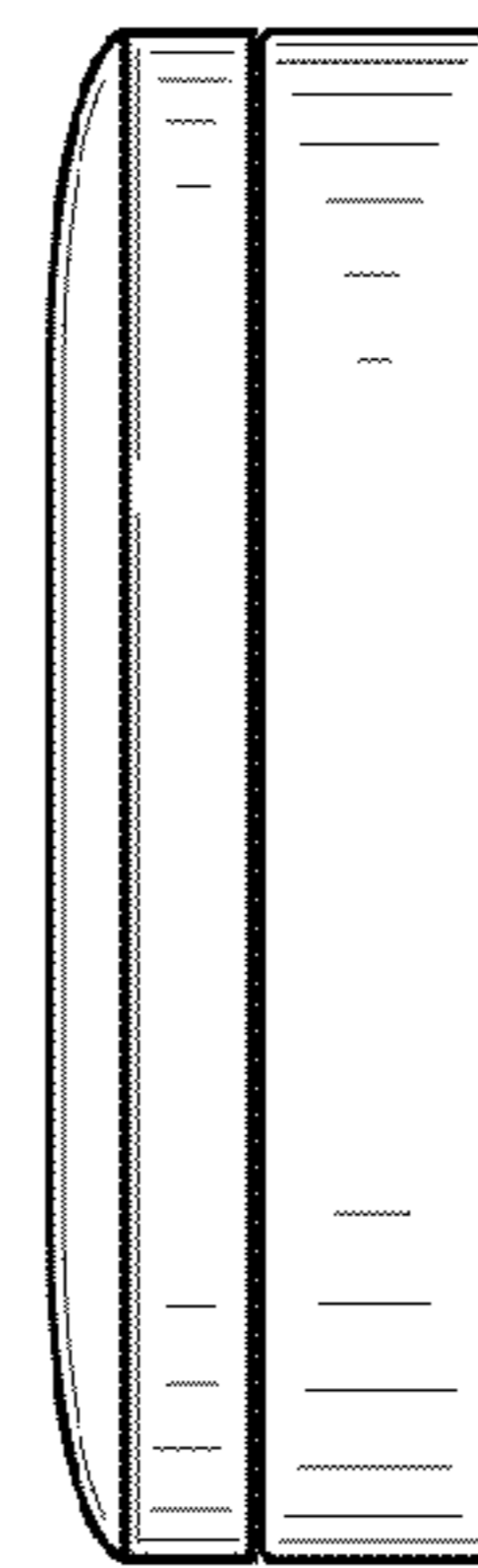


FIG. 7

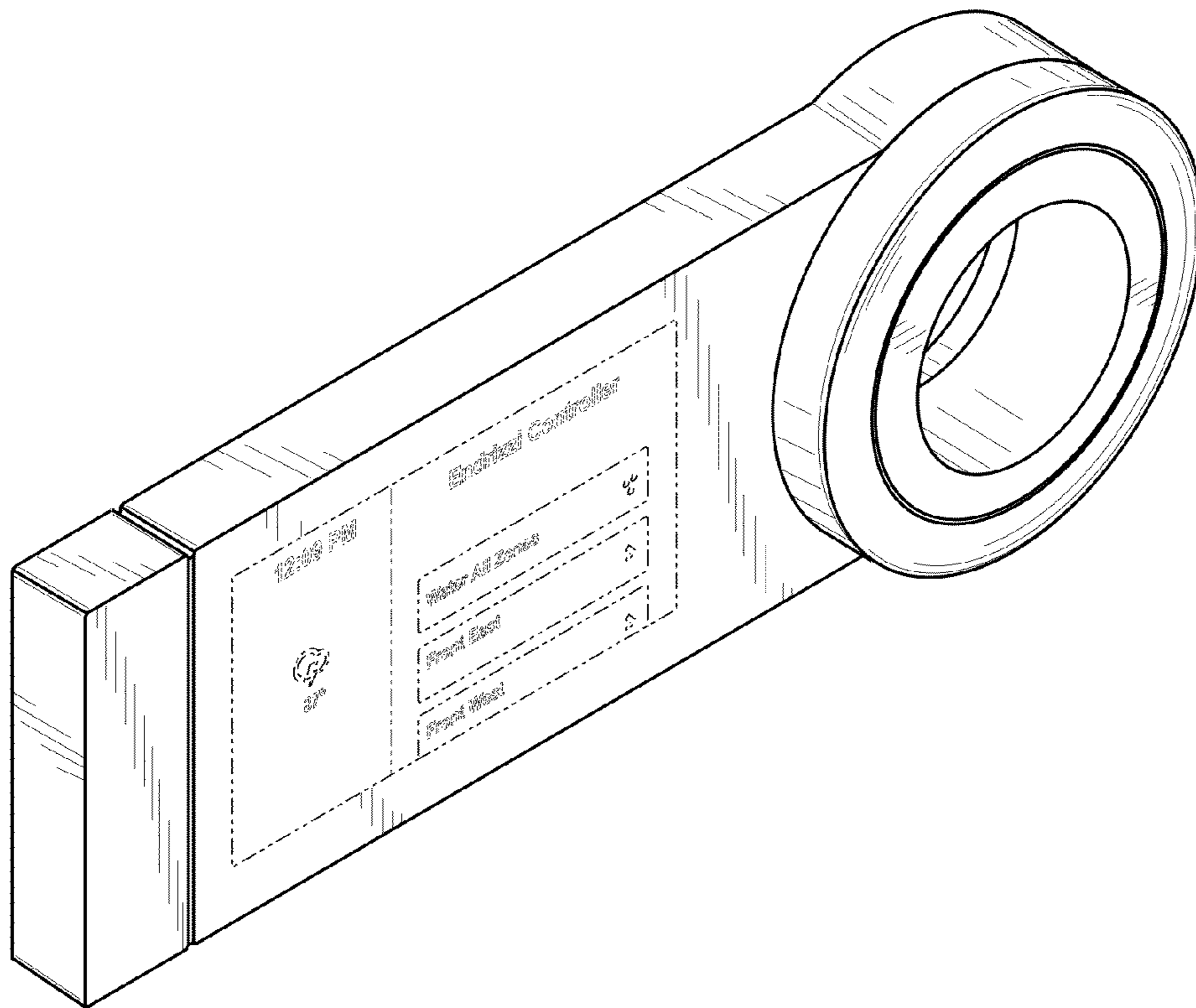


FIG. 8

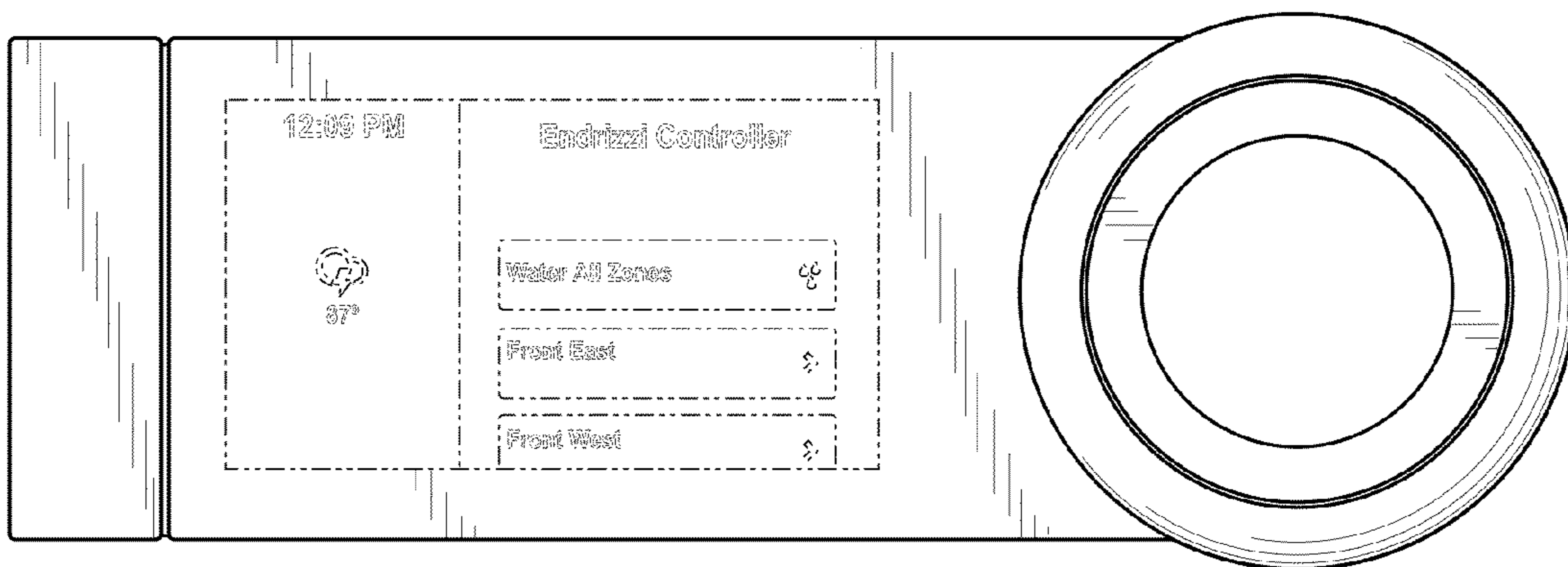


FIG. 9

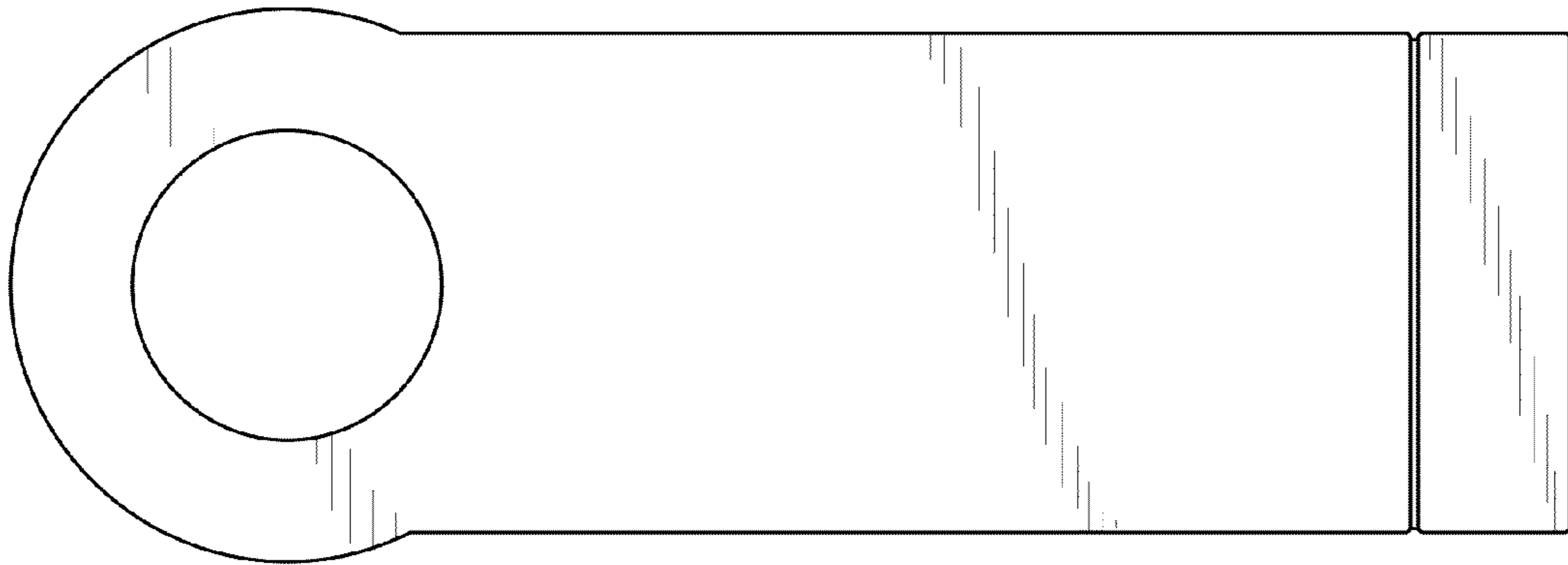


FIG. 10

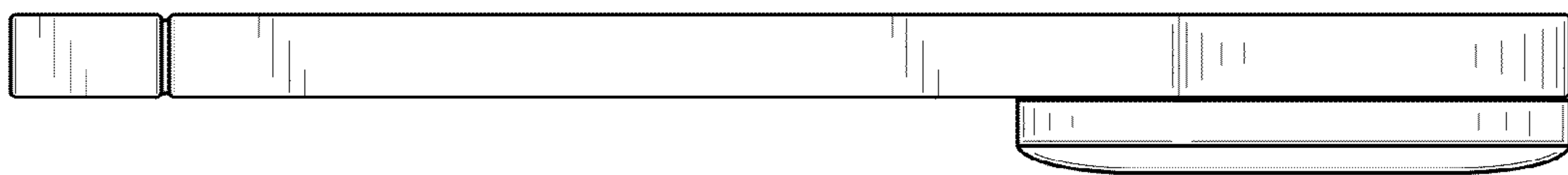


FIG. 11

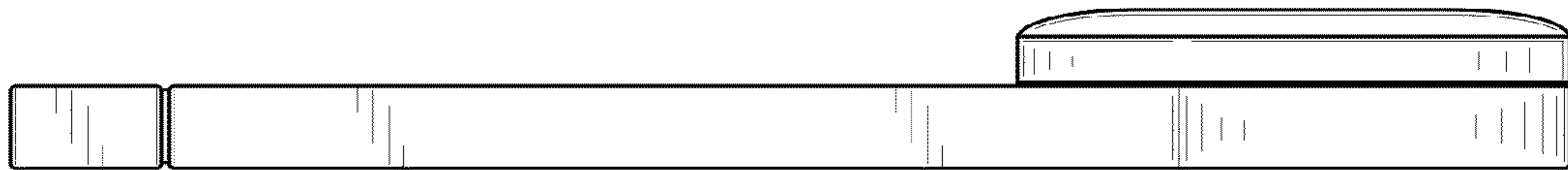


FIG. 12

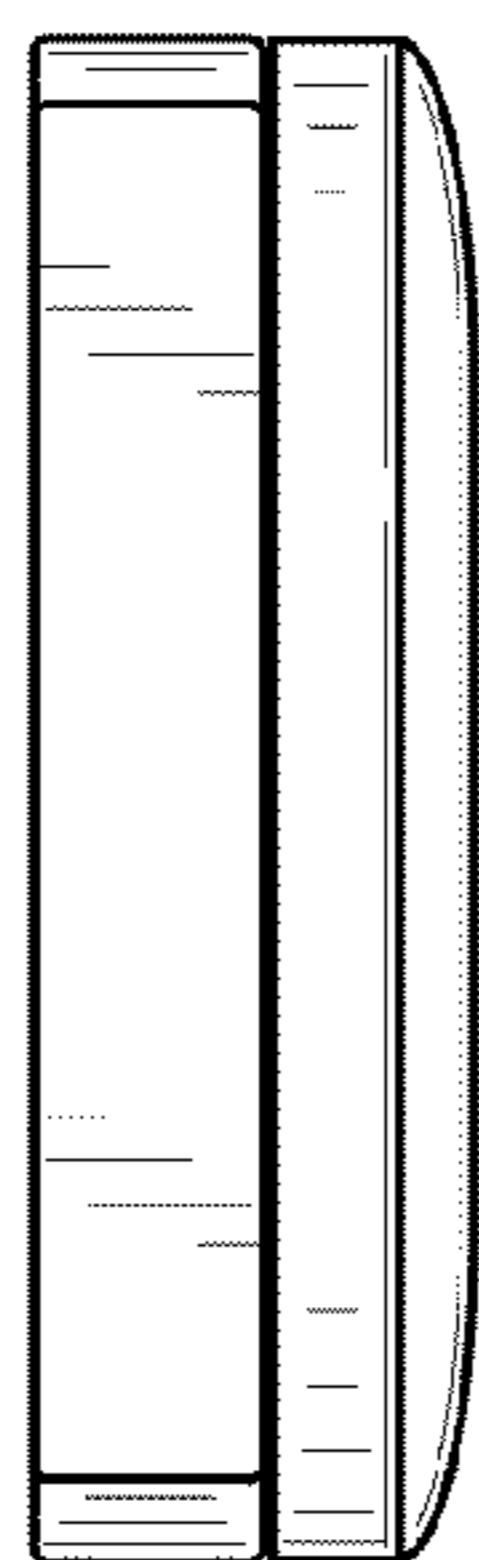


FIG. 13

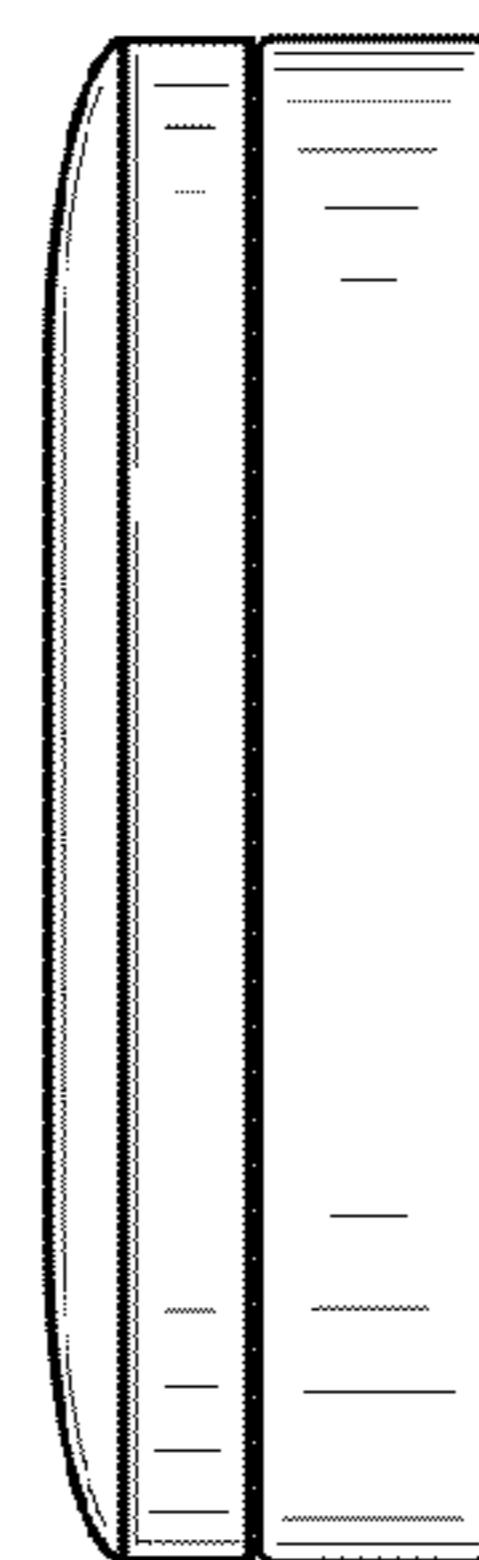


FIG. 14