



US00D739357S

(12) **United States Design Patent**
Teramoto

(10) **Patent No.:** **US D739,357 S**

(45) **Date of Patent:** **** Sep. 22, 2015**

(54) **ELECTRICAL CONNECTOR**

FOREIGN PATENT DOCUMENTS

- (71) Applicant: **Sumitomo Wiring Systems, Ltd.**,
Mie-ken (JP)
- (72) Inventor: **Keisuke Teramoto**, Yokkaichi (JP)
- (73) Assignee: **Sumitomo Wiring Systems, Ltd.** (JP)

JP	1395960	8/2010
JP	1395966	8/2010
JP	1395967	8/2010
JP	1396131	8/2010
JP	1408985	3/2011
JP	1410471	3/2011
JP	1449141	8/2012

(**) Term: **14 Years**

* cited by examiner

(21) Appl. No.: **29/481,751**

Primary Examiner — Daniel Bui

(22) Filed: **Feb. 10, 2014**

(74) *Attorney, Agent, or Firm* — Schwegman Lundberg & Woessner, P.A.

(30) **Foreign Application Priority Data**

(57) **CLAIM**

The ornamental design for an electrical connector, as shown and described.

Aug. 29, 2013 (JP) 2013-019916

DESCRIPTION

(51) **LOC (10) Cl.** **13-03**

(52) **U.S. Cl.**
USPC **D13/147**

(58) **Field of Classification Search**
USPC D13/147, 154, 184, 199
See application file for complete search history.

FIG. 1 is a front, bottom and right side perspective view of an electrical connector showing my new design;
 FIG. 2 is a rear, top and left side perspective view thereof;
 FIG. 3 is a front view thereof;
 FIG. 4 is a rear view thereof;
 FIG. 5 is a top plan view thereof;
 FIG. 6 is a bottom plan view thereof;
 FIG. 7 is a right side view thereof;
 FIG. 8 is a left side view thereof;
 FIG. 9 is a cross-sectional view taken along line 9-9 in FIG. 3;
 and,
 FIG. 10 is a cross-sectional view taken along line 10-10 in FIG. 3.

(56) **References Cited**

U.S. PATENT DOCUMENTS

6,022,246	A *	2/2000	Ko	439/680
D710,309	S *	8/2014	Arai et al.	D13/147
D710,806	S *	8/2014	Tsukamoto	D13/147
2011/0111639	A1 *	5/2011	Hara et al.	439/660
2011/0111640	A1 *	5/2011	Hara et al.	439/660

1 Claim, 7 Drawing Sheets

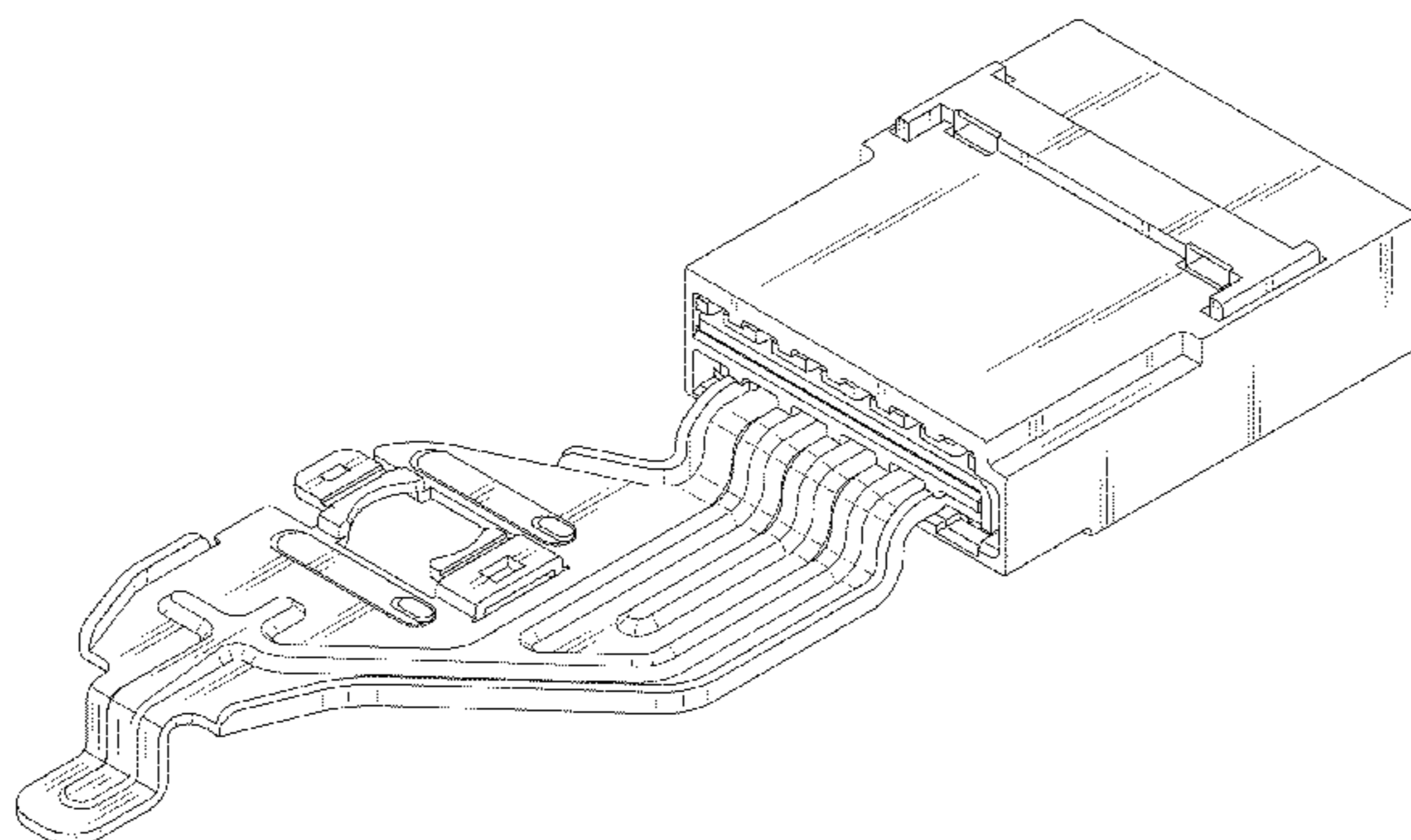
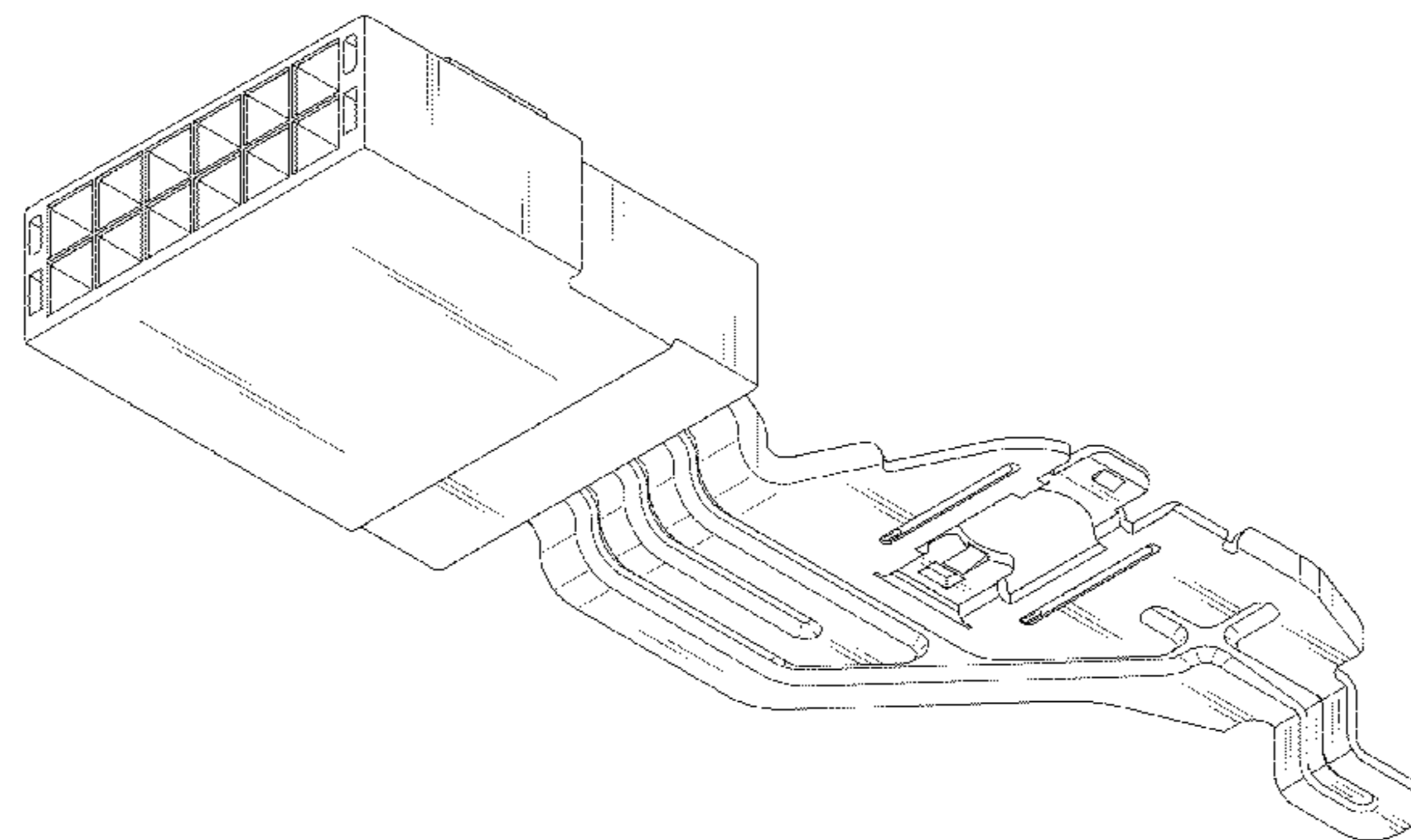


FIG. 1

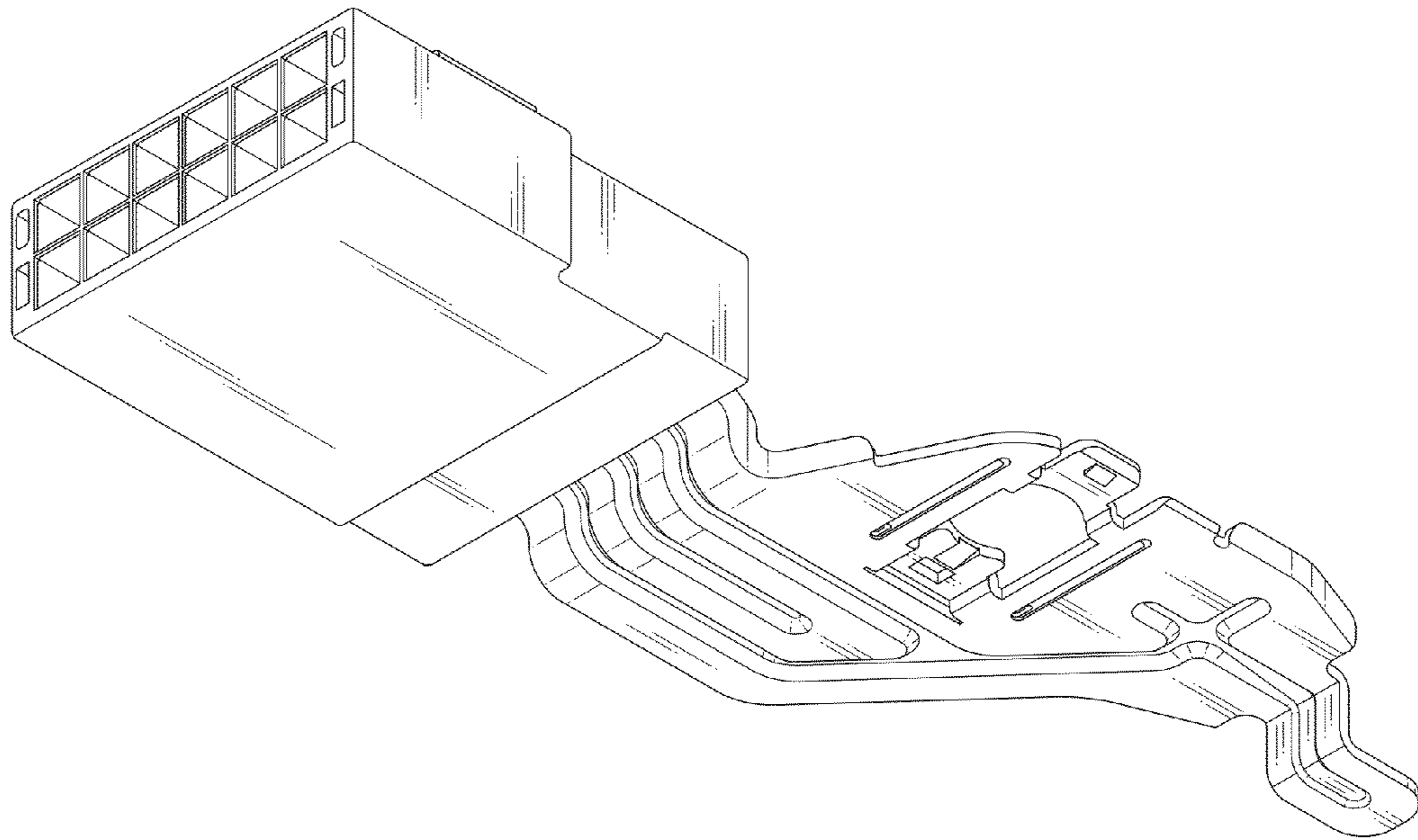


FIG. 2

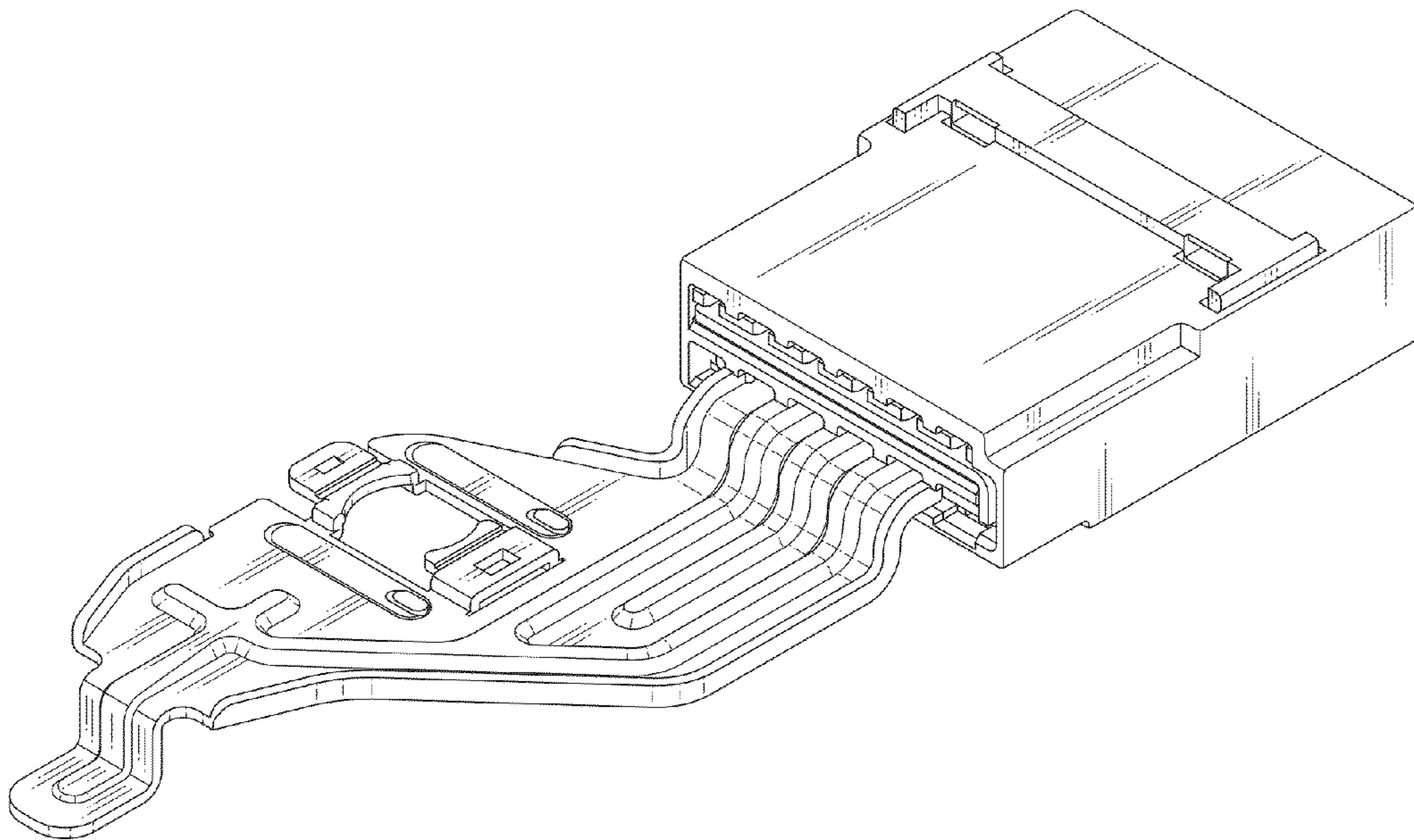


FIG. 3

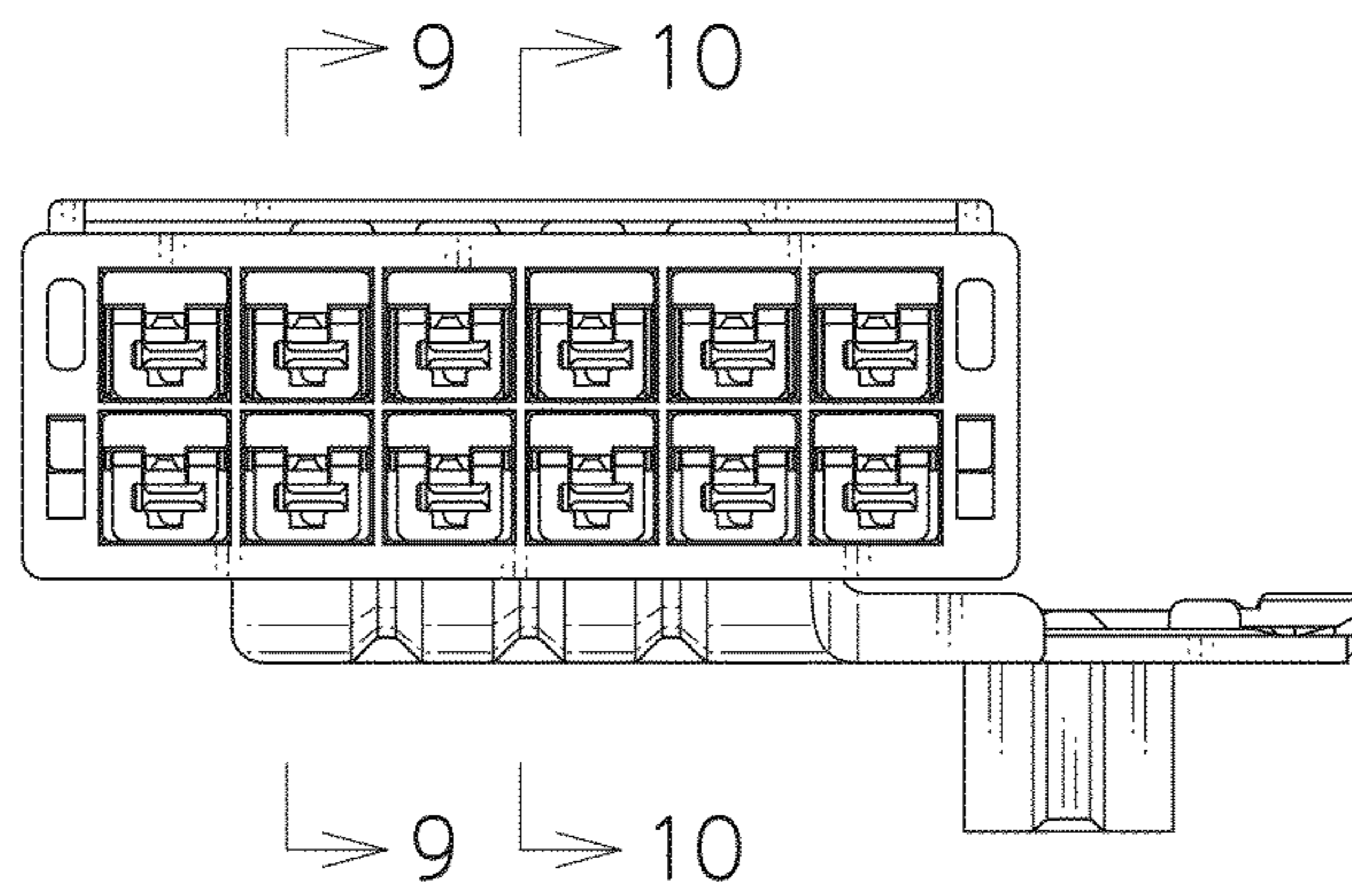


FIG. 4

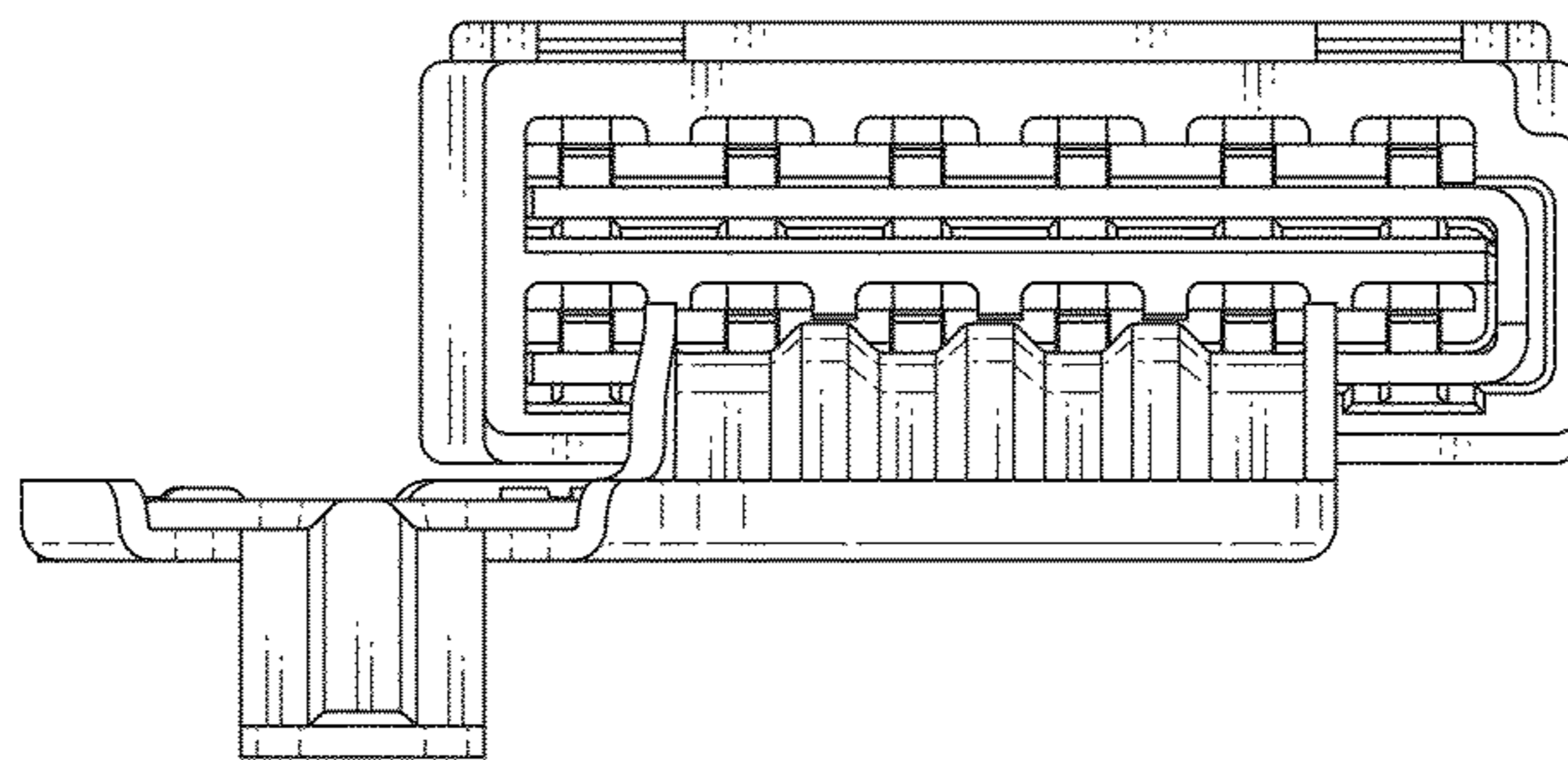


FIG. 5

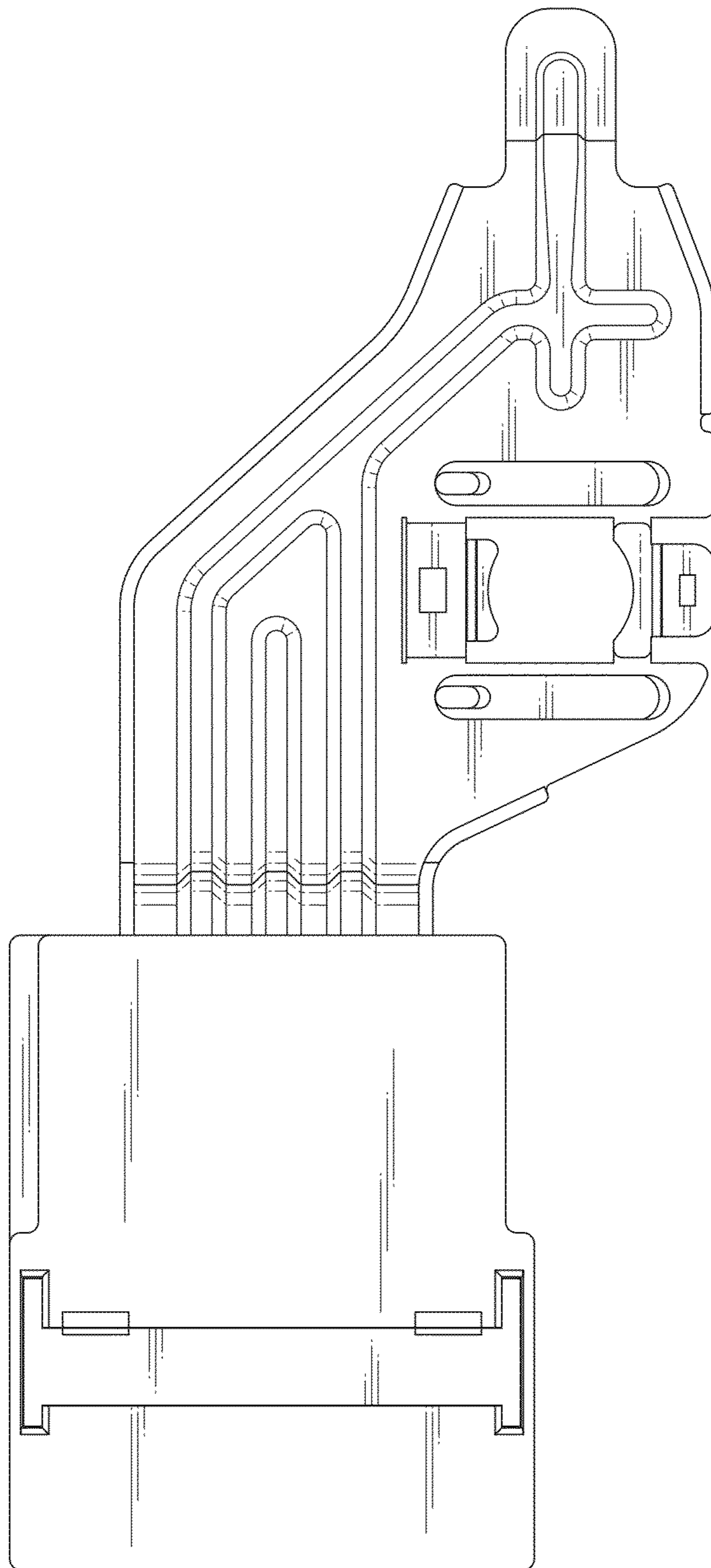


FIG. 6

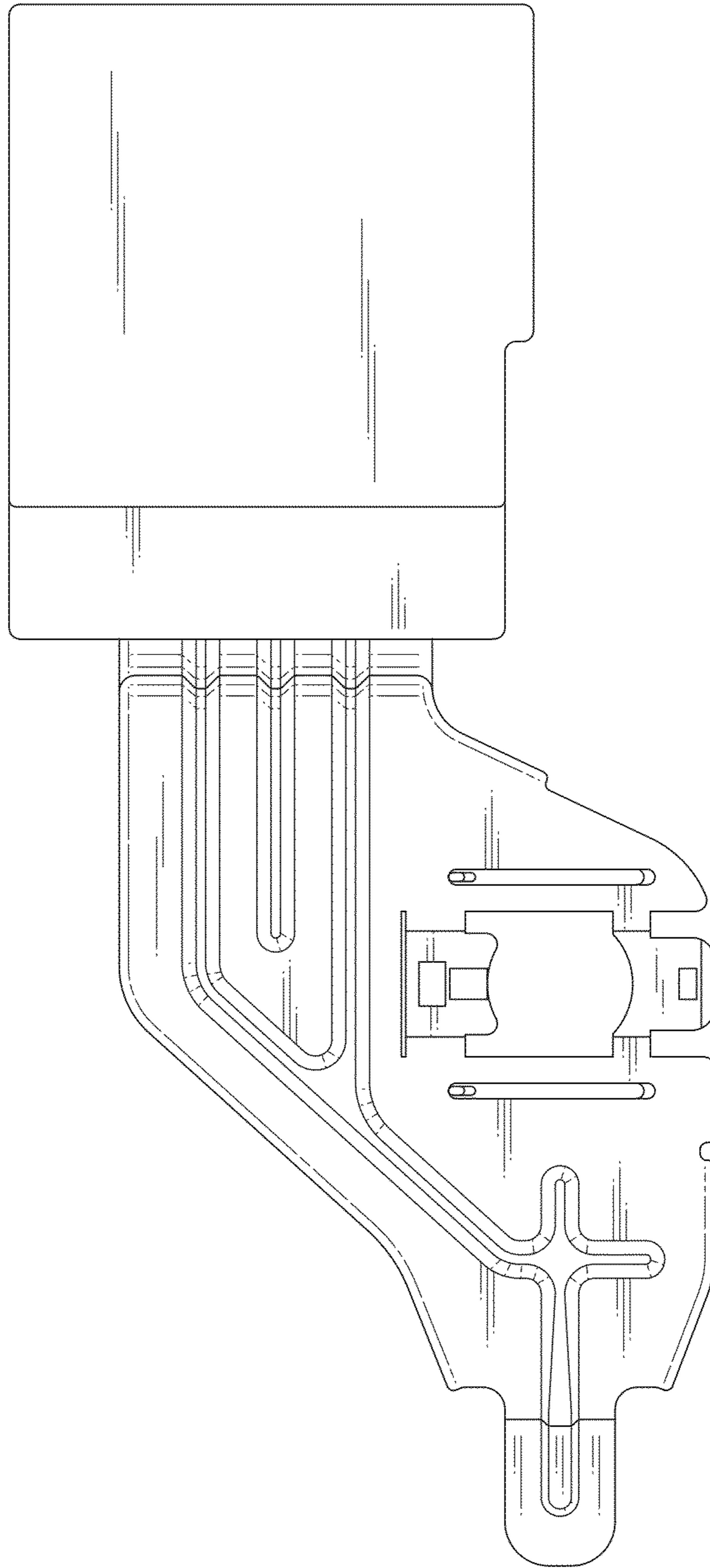


FIG. 7

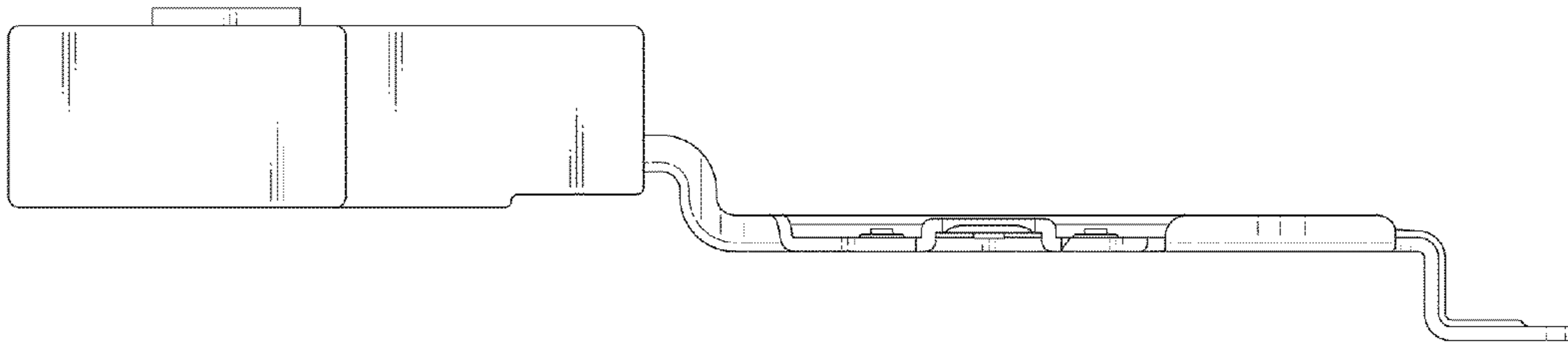


FIG. 8

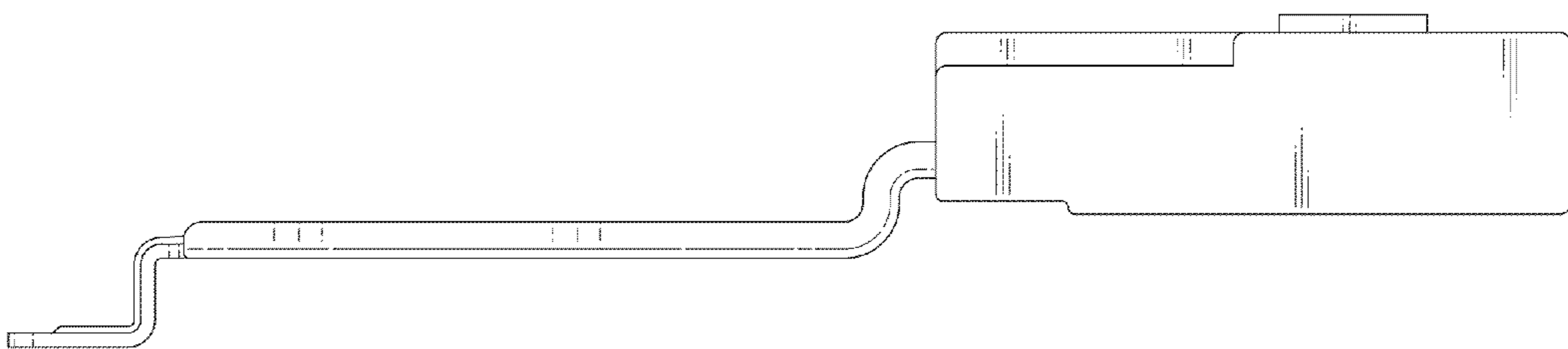


FIG. 9

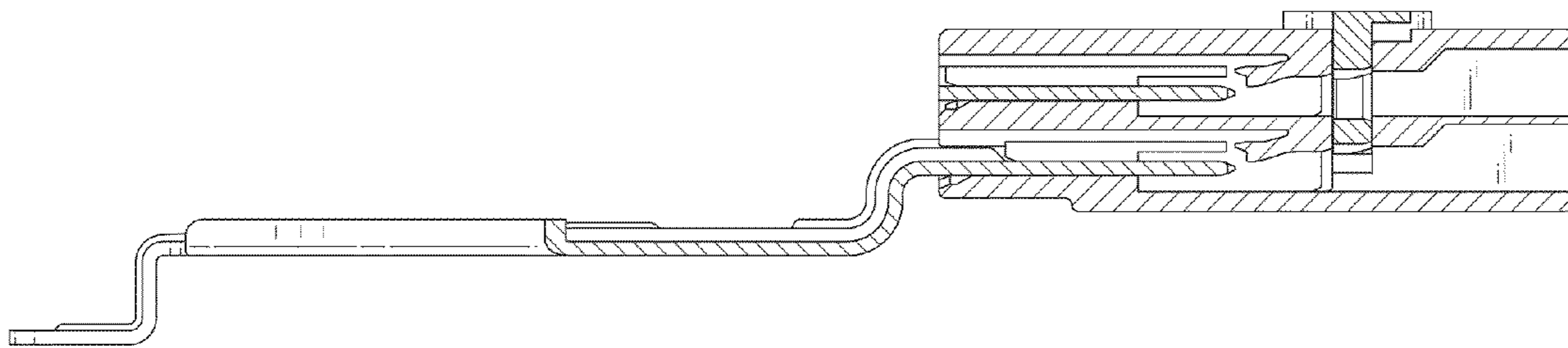


FIG. 10

