



US00D739355S

(12) **United States Design Patent**
D'Aubeterre

(10) **Patent No.:** **US D739,355 S**

(45) **Date of Patent:** **** Sep. 22, 2015**

(54) **HEXAGONAL POWER OUTLET HUB**

(71) Applicant: **Ramon Antonio D'Aubeterre,**
Aventura, FL (US)

(72) Inventor: **Ramon Antonio D'Aubeterre,**
Aventura, FL (US)

(**) Term: **14 Years**

(21) Appl. No.: **29/513,407**

(22) Filed: **Dec. 30, 2014**

(51) **LOC (10) Cl.** **13-03**

(52) **U.S. Cl.**
USPC **D13/139.8**

(58) **Field of Classification Search**
USPC D13/137.1-137.4, 139.1-139.8,
D13/152-154, 110, 138.1, 108, 107;
439/652
CPC H01R 31/02

See application file for complete search history.

(56) **References Cited**

U.S. PATENT DOCUMENTS

D469,402 S *	1/2003	Bukiri	D13/137.1
D540,257 S *	4/2007	Ivanova et al.	D13/137.2
D559,783 S *	1/2008	Matzdorff et al.	D13/137.2
D595,229 S *	6/2009	LaGrotta	D13/137.2
D640,199 S *	6/2011	Wilson	D13/139.7
D665,354 S *	8/2012	Chen et al.	D13/138.1
D673,912 S *	1/2013	Benedetti	D13/137.2
D680,953 S *	4/2013	Kuo	D13/137.2
D694,706 S *	12/2013	Kuo	D13/108
D694,713 S *	12/2013	Yeo et al.	D13/138.1
D695,214 S *	12/2013	Roberts et al.	D13/107

D695,693 S *	12/2013	Lee et al.	D13/152
D700,579 S *	3/2014	Mobbs	D13/137.1
D700,892 S *	3/2014	Segnit	D13/137.2
D711,824 S *	8/2014	Matsuoka et al.	D13/110
D712,829 S *	9/2014	Huang	D13/110
D713,788 S *	9/2014	Hasegawa et al.	D13/110
D715,734 S *	10/2014	Levy	D13/110
D718,715 S *	12/2014	Si	D13/110
D719,093 S *	12/2014	Levy et al.	D13/110
D719,508 S *	12/2014	Byrne et al.	D13/110
D731,430 S *	6/2015	Segnit	D13/137.2
2009/0253307 A1 *	10/2009	Augur	439/652

* cited by examiner

Primary Examiner — Holly Baynham

Assistant Examiner — Rhea Shields

(74) *Attorney, Agent, or Firm* — H. John Rizvi; Gold & Rizvi P.A.

(57) **CLAIM**

I claim the ornamental design for a hexagonal power outlet hub, as shown and described.

DESCRIPTION

FIG. 1 is a front isometric view of my new design;

FIG. 2 is a front elevation view thereof;

FIG. 3 is a rear elevation view thereof;

FIG. 4 is a left side elevation view thereof;

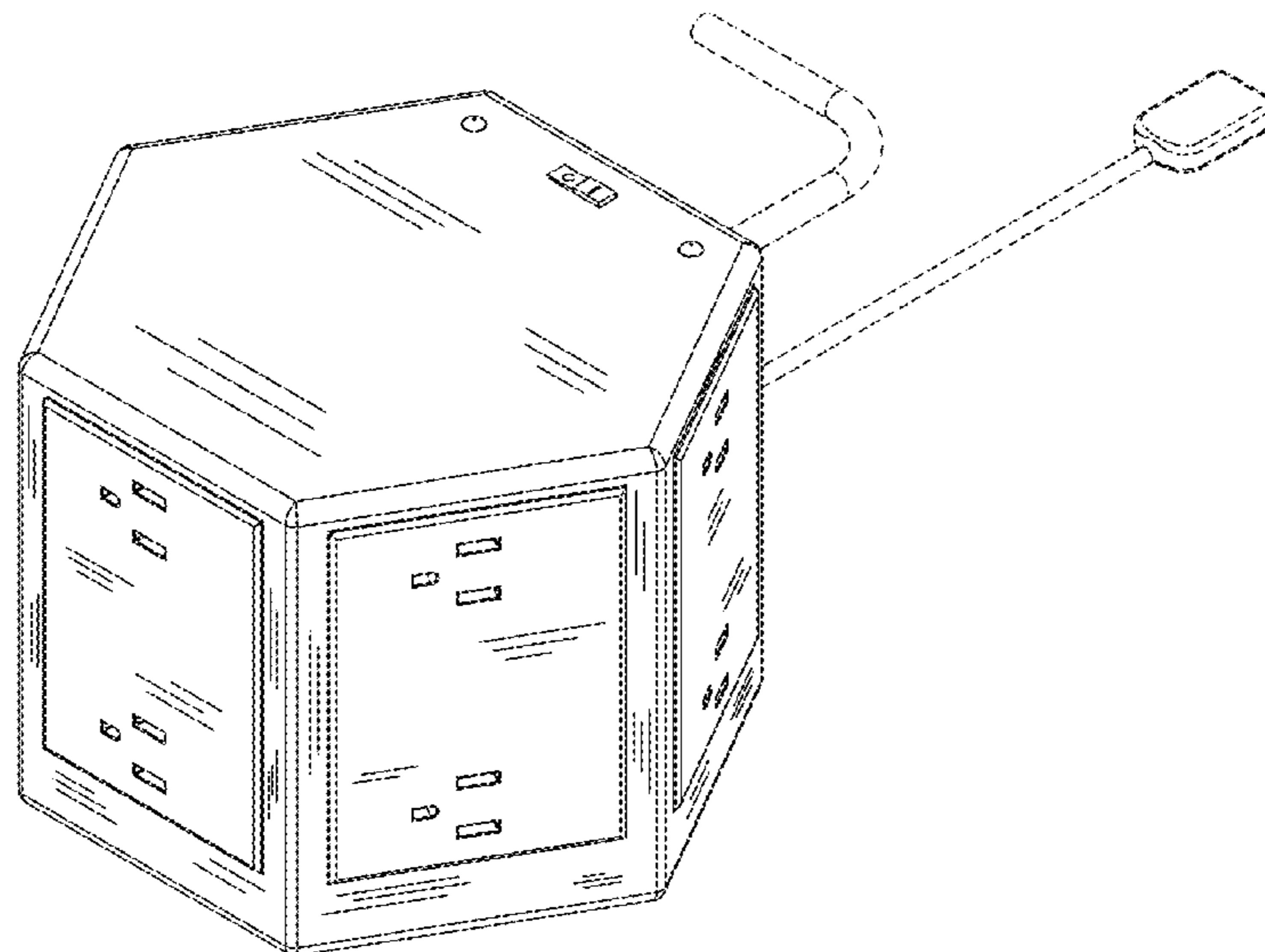
FIG. 5 is a right side elevation view thereof;

FIG. 6 is a top plan view thereof; and,

FIG. 7 is a bottom plan view thereof.

In the drawings, the broken lines are for the purpose of illustrating environment only and form no part of the claimed design.

1 Claim, 7 Drawing Sheets



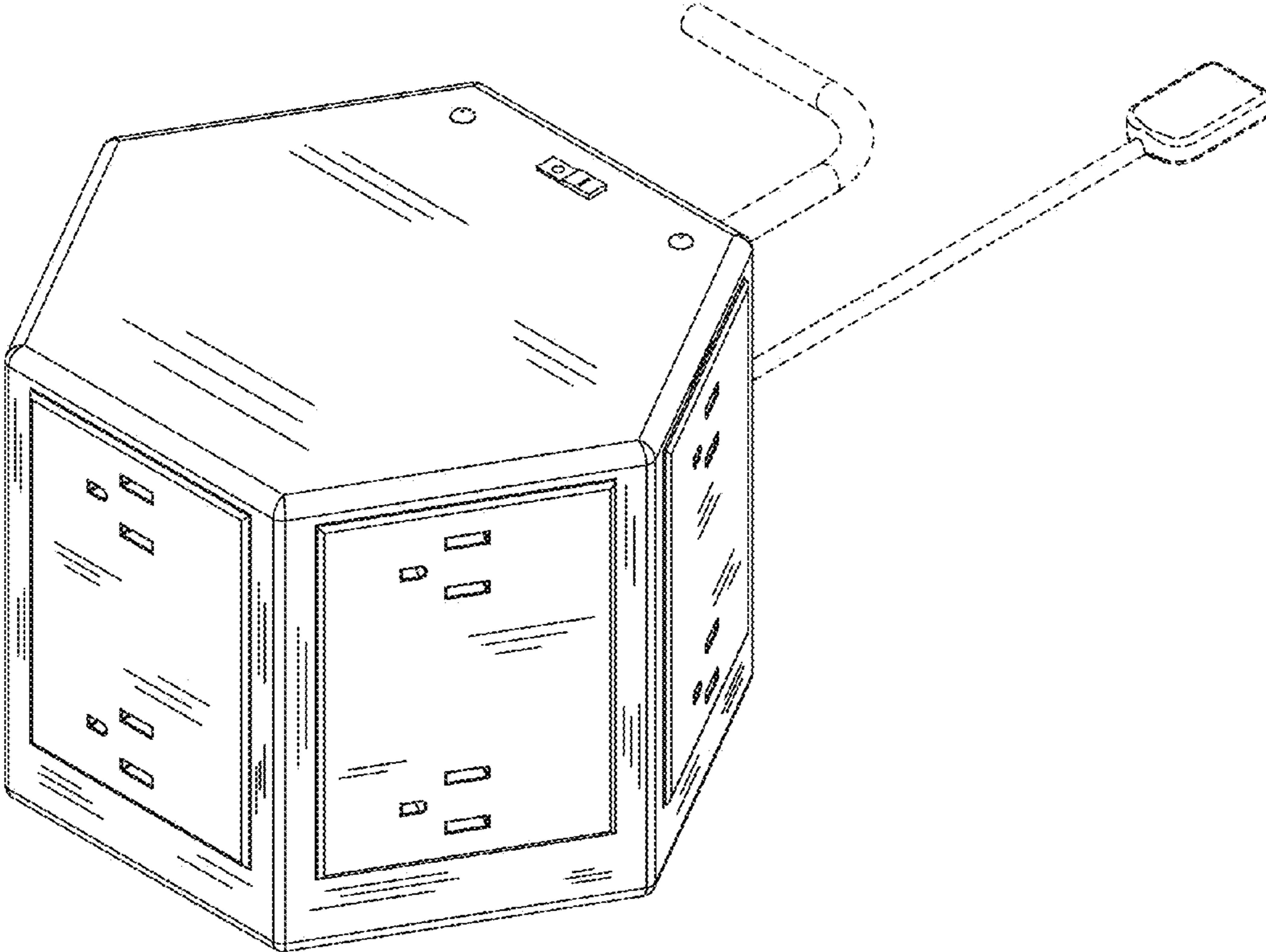


FIG. 1

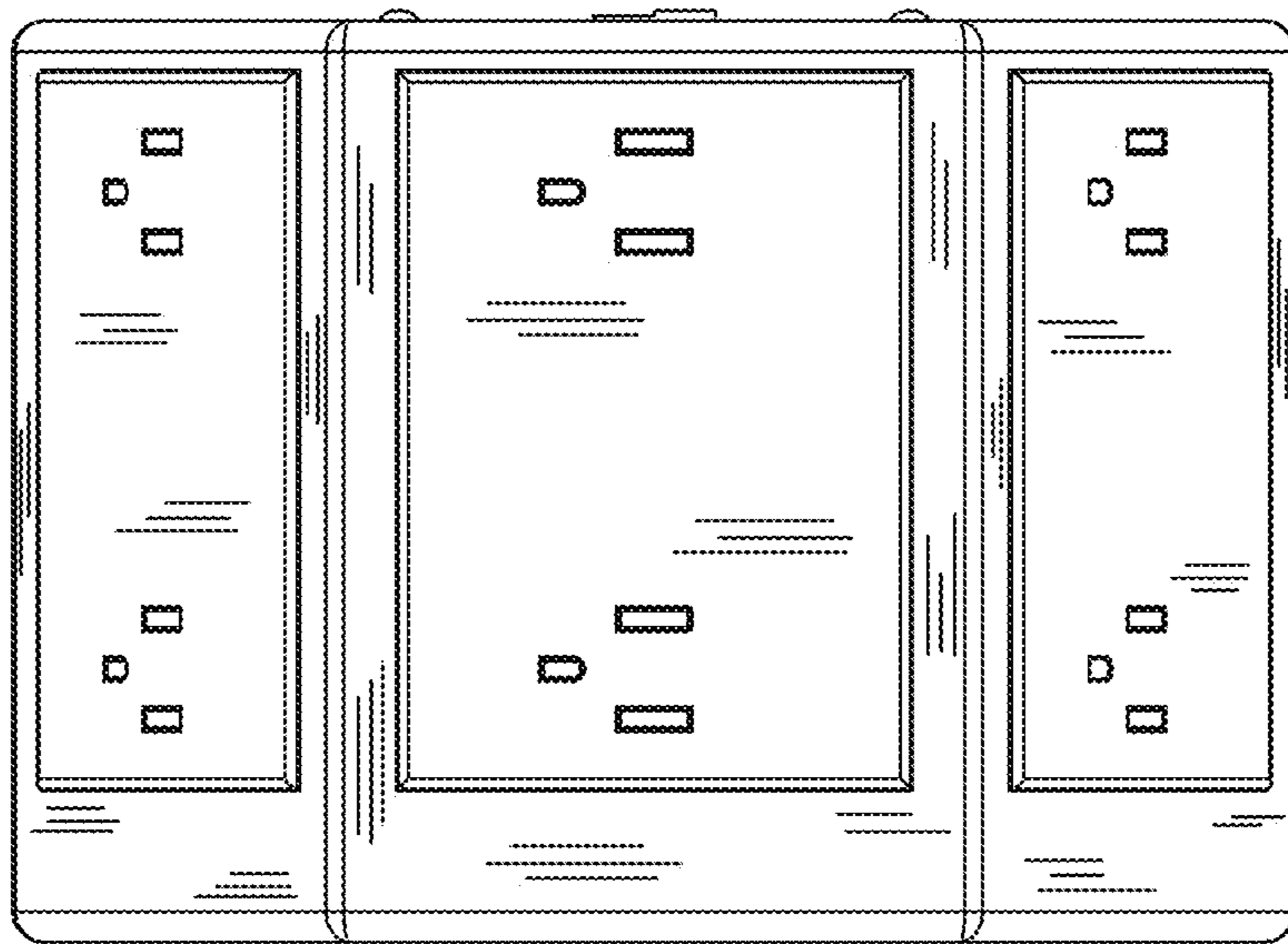


FIG. 2

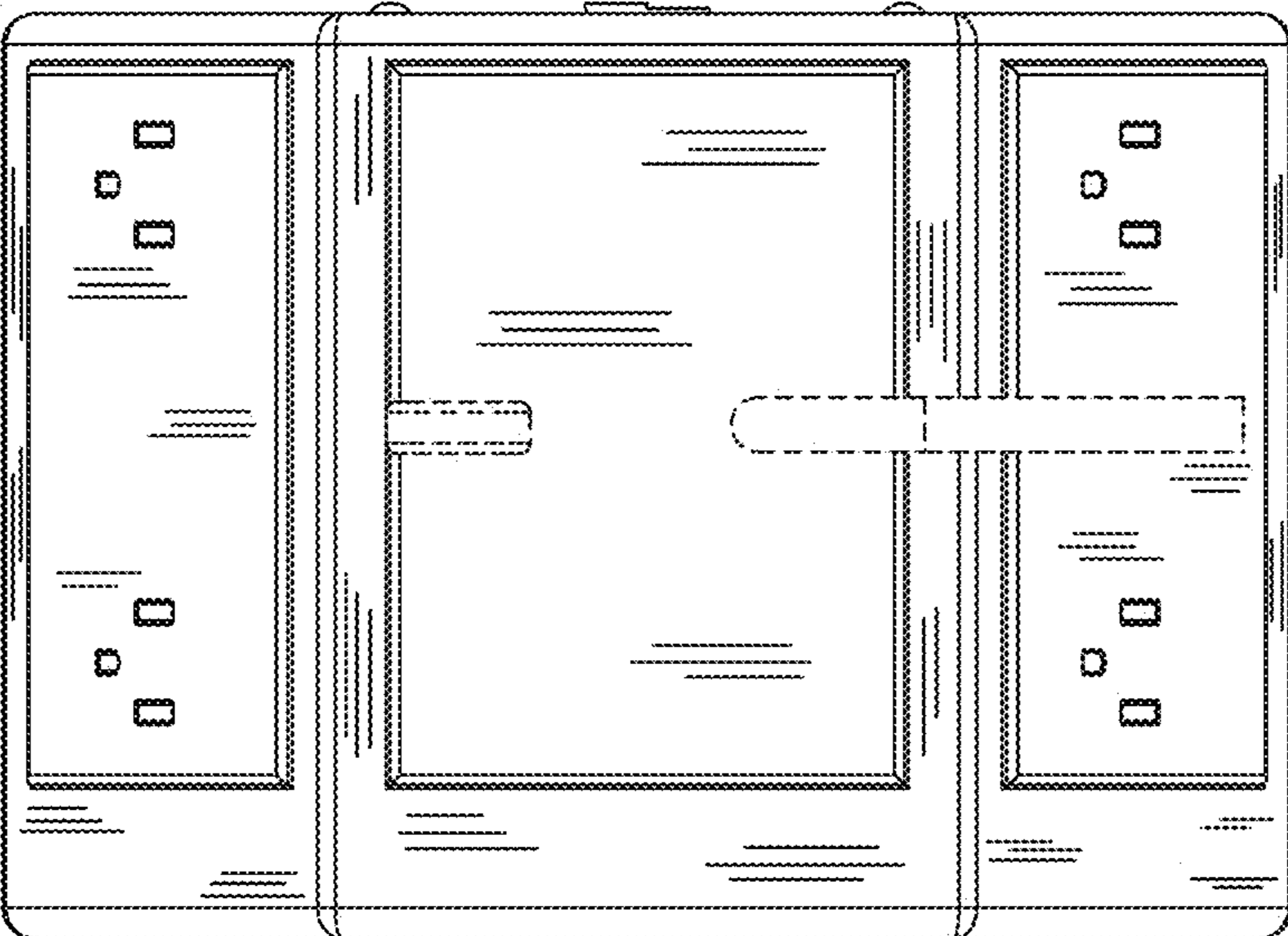


FIG. 3

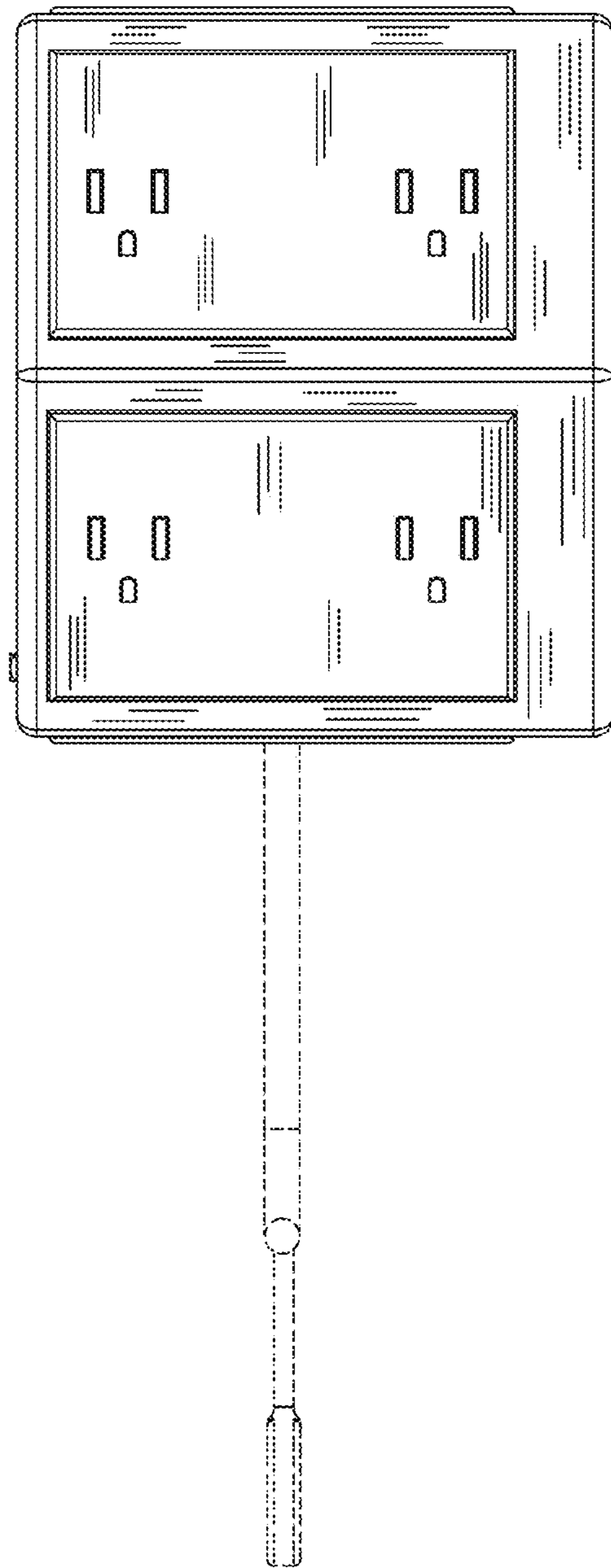


FIG. 4

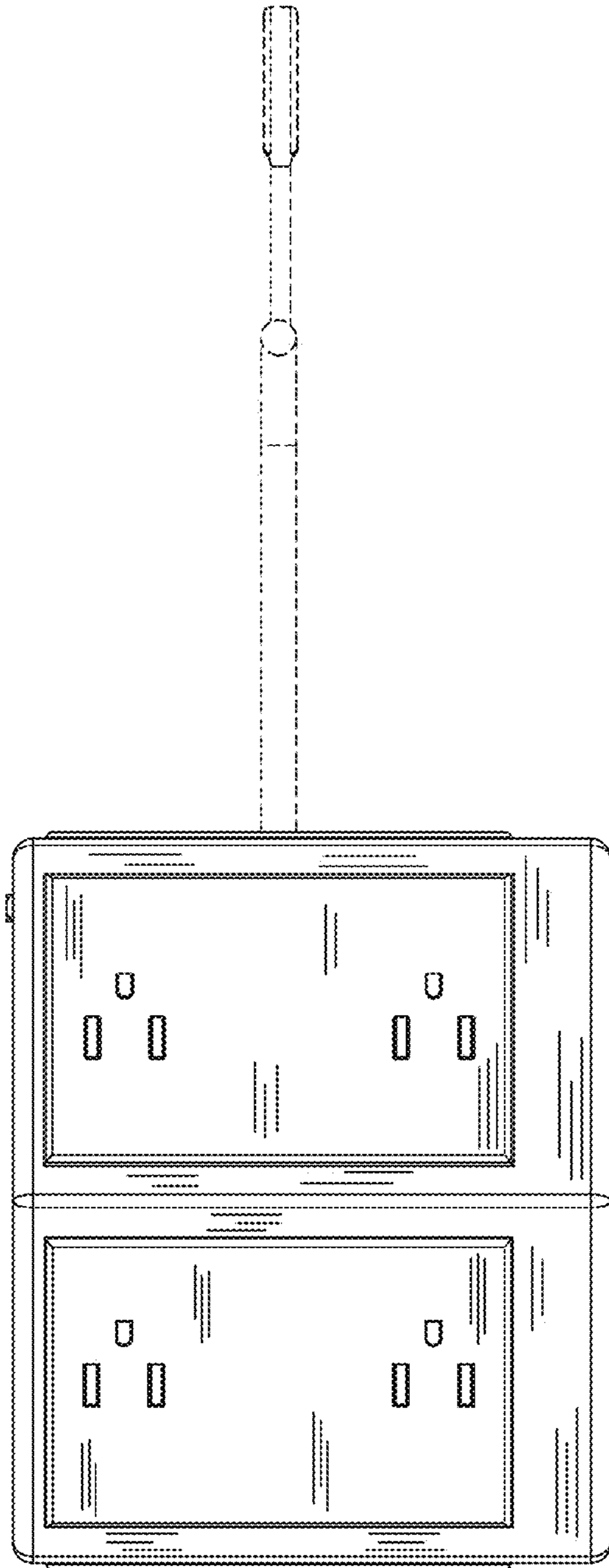


FIG. 5

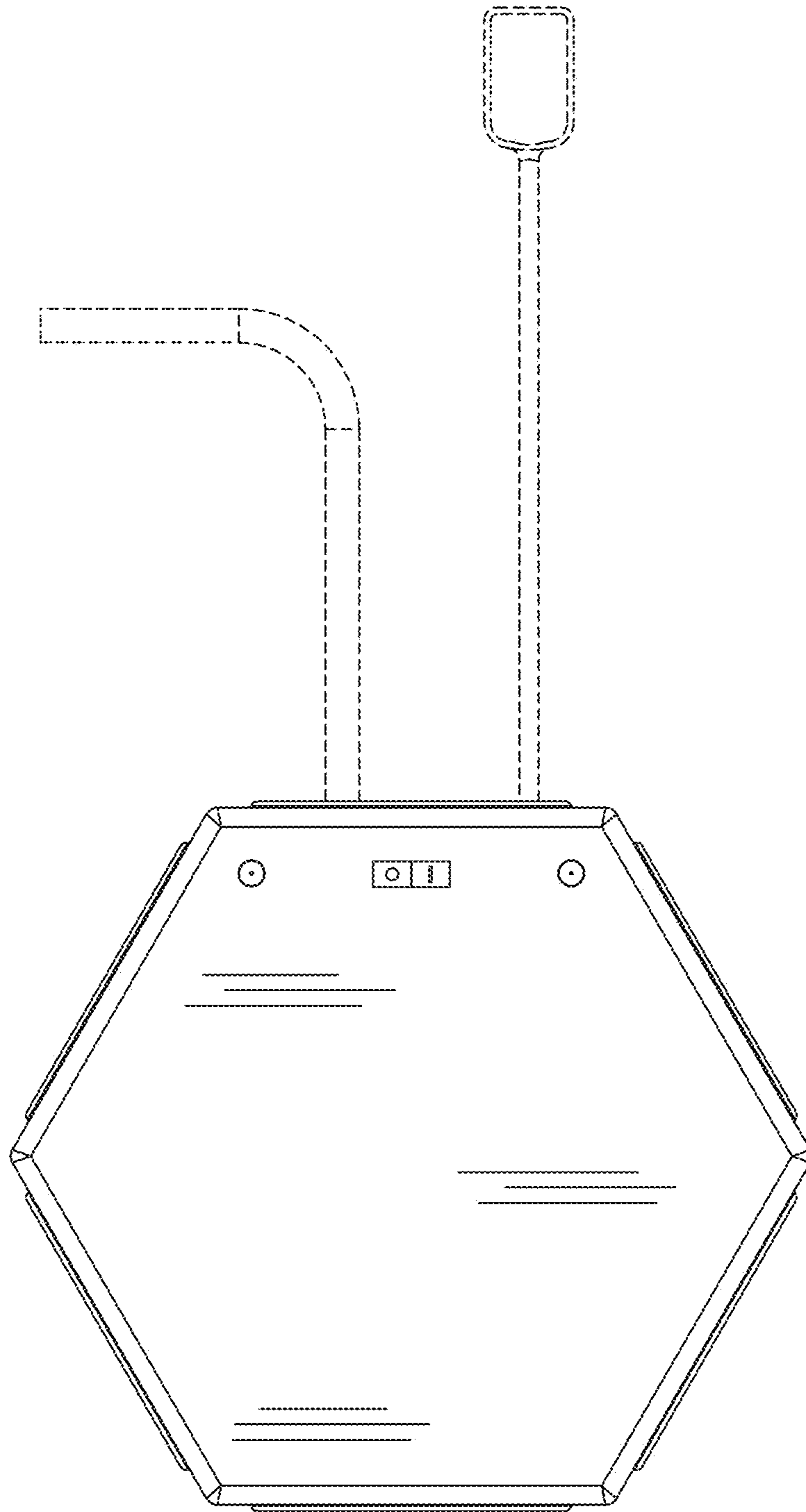


FIG. 6

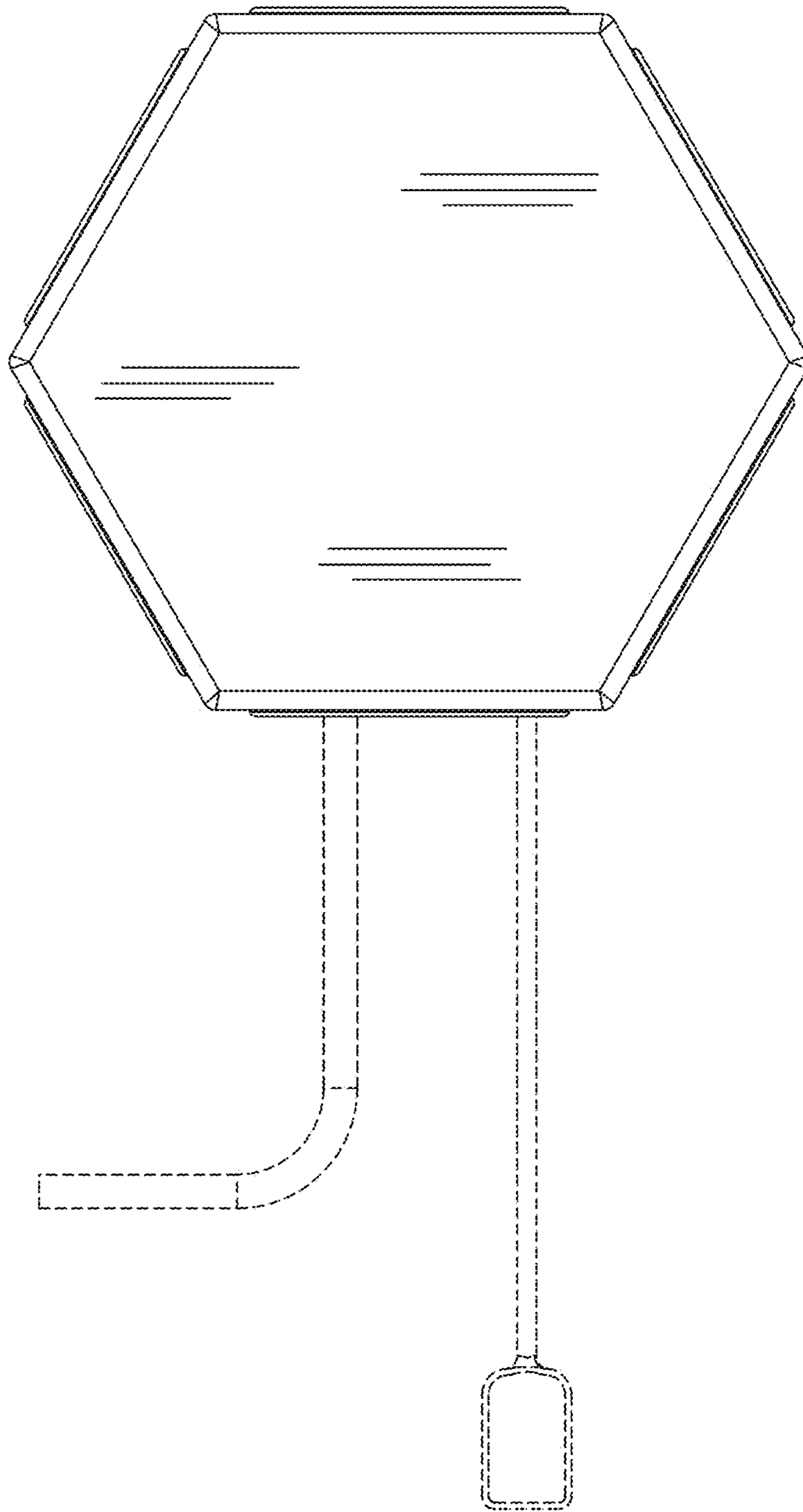


FIG. 7