



US00D739354S

(12) **United States Design Patent**
Nook et al.

(10) **Patent No.:** **US D739,354 S**

(45) **Date of Patent:** **** *Sep. 22, 2015**

(54) **FLEX CONNECTOR**

(71) Applicant: **THE NOCO COMPANY**, Glenwillow, OH (US)

(72) Inventors: **Jonathan Lewis Nook**, Gates Mills, OH (US); **William Knight Nook, Sr.**, Shaker Heights, OH (US); **James Richard Stanfield**, Peoria, AZ (US); **Derek Michael Underhill**, Tempe, AZ (US)

(73) Assignee: **THE NOCO COMPANY**, Glenwillow, OH (US)

(*) Notice: This patent is subject to a terminal disclaimer.

(**) Term: **14 Years**

(21) Appl. No.: **29/468,287**

(22) Filed: **Sep. 27, 2013**

(51) **LOC (10) Cl.** **13-03**

(52) **U.S. Cl.**
USPC **D13/133**

(58) **Field of Classification Search**
USPC D13/107, 110, 120, 133, 134, 146, 148, D13/149, 156, 184, 199; 439/248, 258, 274, 439/447, 603, 660, 607.01, 677, 680, 682, 439/686, 755; 174/74 R, 84 C
See application file for complete search history.

(56) **References Cited**

U.S. PATENT DOCUMENTS

3,020,518 A * 2/1962 Camping et al. 439/687
D318,718 S * 7/1991 Blatt D23/262
D425,860 S * 5/2000 Goto D13/133

D444,772 S * 7/2001 Milan D13/154
D454,542 S * 3/2002 Nakashima et al. D13/146
D465,205 S * 11/2002 Orpilla et al. D13/154
D473,194 S * 4/2003 Lee D13/154
D524,736 S * 7/2006 Morita et al. D13/133
D542,224 S * 5/2007 Victor D13/154
D543,154 S * 5/2007 Suckle et al. D13/154
D552,560 S * 10/2007 Victor D13/154
D555,594 S * 11/2007 So D13/133
D586,750 S * 2/2009 Li D13/133
D593,959 S * 6/2009 Victor D13/156
D596,125 S * 7/2009 Norin et al. D13/133
D597,946 S * 8/2009 Li D13/133
D627,730 S * 11/2010 Huang et al. D13/146
D643,815 S * 8/2011 Mark et al. D13/133
D678,202 S * 3/2013 Corona D13/133
D684,537 S * 6/2013 Herink et al. D13/133

* cited by examiner

Primary Examiner — Derrick Holland

Assistant Examiner — Jennifer O King

(74) *Attorney, Agent, or Firm* — Vorys, Sater, Seymour and Pease LLP; William L. Klima

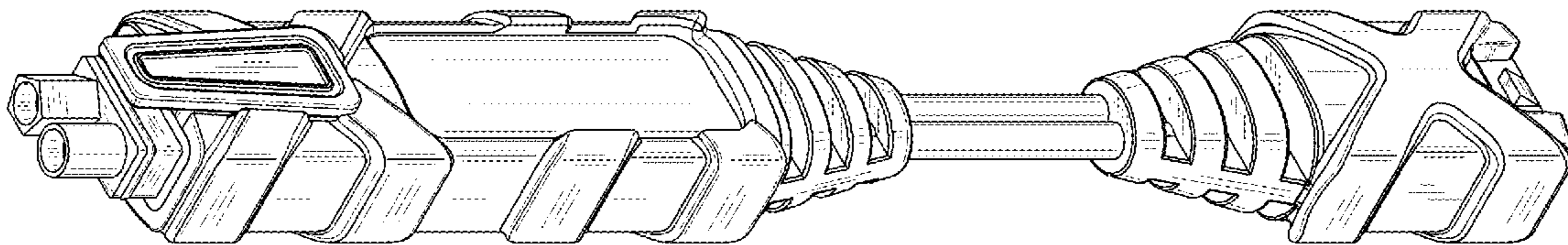
(57) **CLAIM**

The ornamental design for an flex connector, as shown and described.

DESCRIPTION

FIG. 1 is a perspective view for a flex connector; FIG. 2 is another perspective view thereof; FIG. 3 is a top plan view thereof; FIG. 4 is a bottom plan view thereof; FIG. 5 is a left-side elevational view thereof; FIG. 6 is a right-side elevational view thereof; FIG. 7 is a front elevational view thereof; and, FIG. 8 is a rear elevational view thereof.

1 Claim, 4 Drawing Sheets



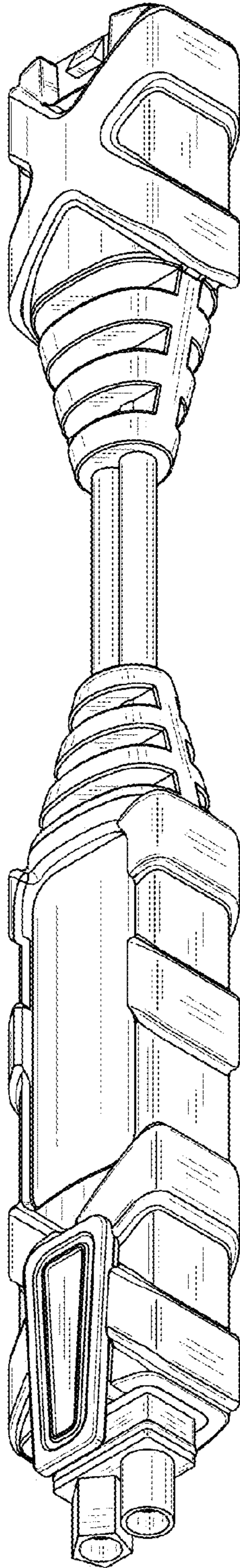


FIG. 1

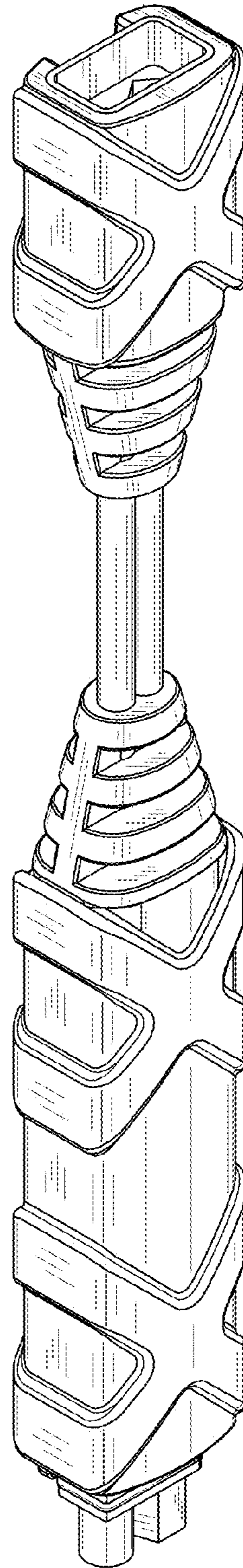


FIG. 2

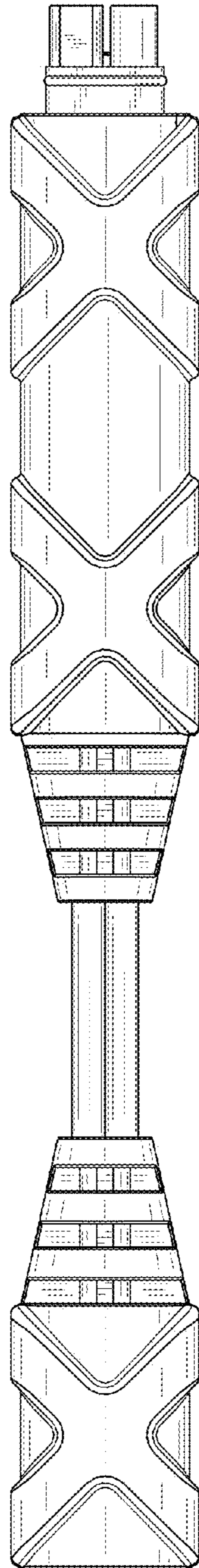


FIG. 3

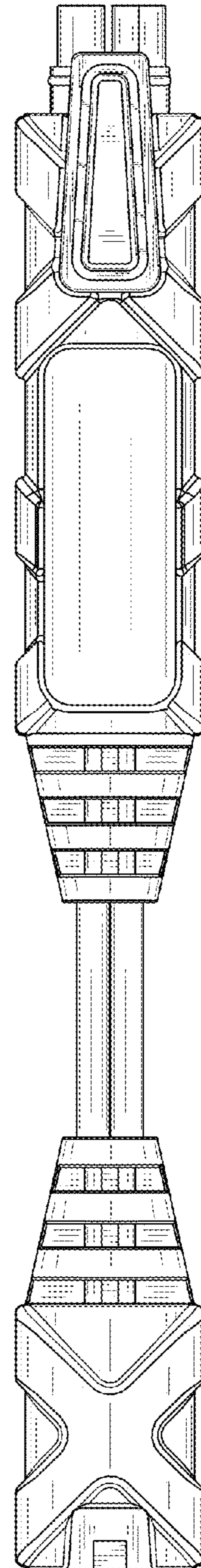


FIG. 4

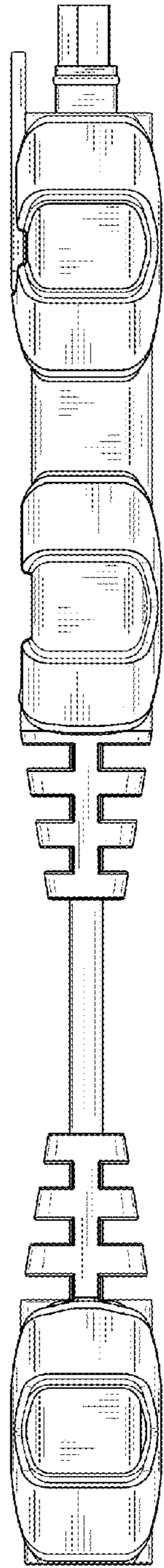


FIG. 5

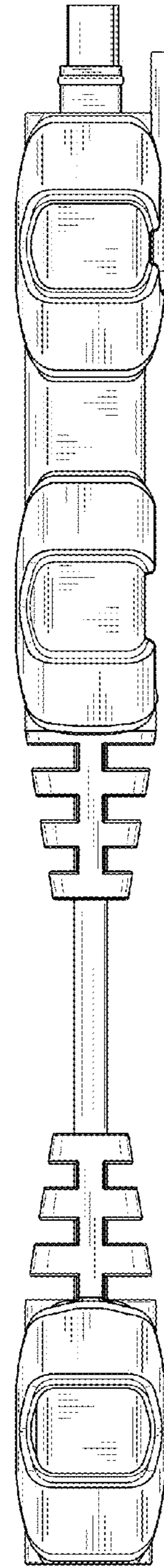


FIG. 6

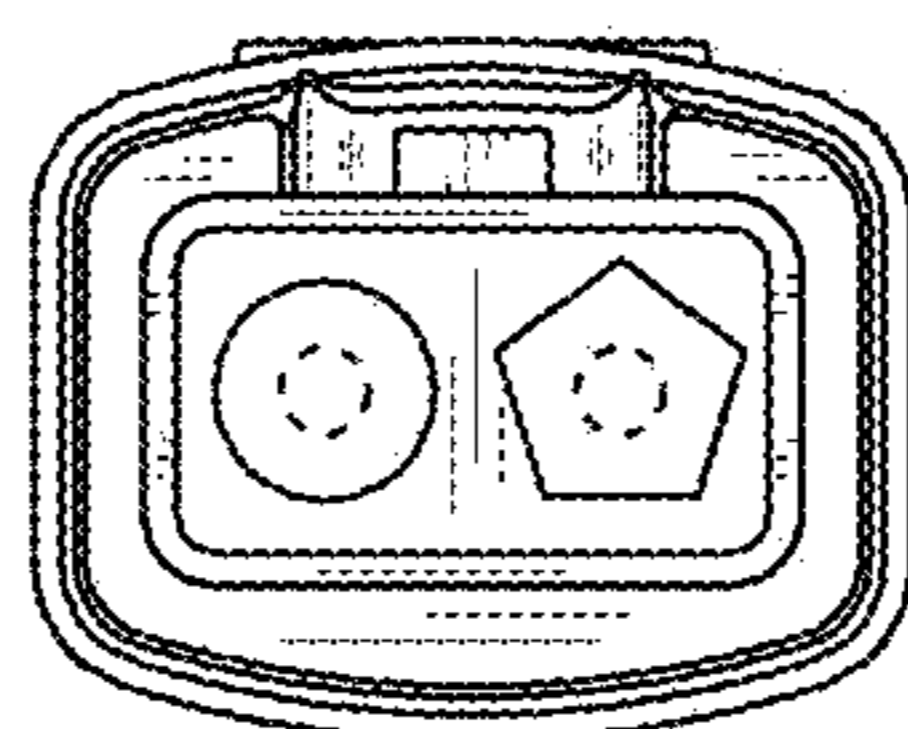


FIG. 7

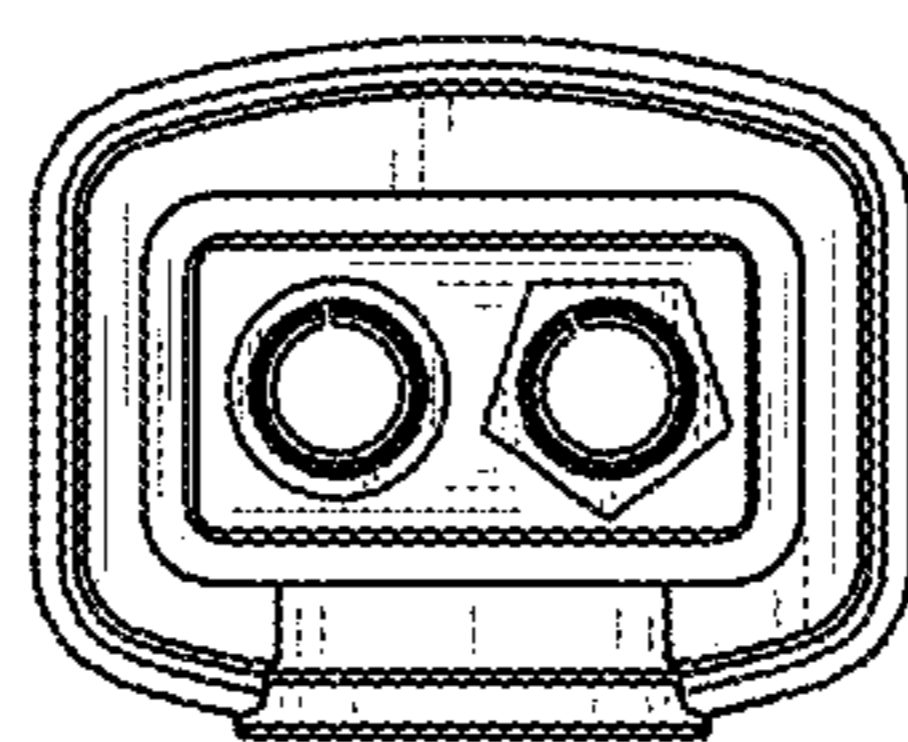


FIG. 8