



US00D739352S

(12) **United States Design Patent**
Benn et al.

(10) **Patent No.:** **US D739,352 S**
(45) **Date of Patent:** **** Sep. 22, 2015**

(54) **INVERTER**

(71) Applicant: **SMA Solar Technology AG**, Niestetal (DE)

(72) Inventors: **Alexander Benn**, Heidelberg (DE);
Christof Wetzel, Remchingen (DE)

(73) Assignee: **SMA Solar Technology AG**, Niestetal (DE)

(**) Term: **14 Years**

(21) Appl. No.: **29/469,486**

(22) Filed: **Oct. 10, 2013**

(30) **Foreign Application Priority Data**

Jun. 14, 2013 (EP) 002255380-0002

(51) **LOC (10) Cl.** **13-03**

(52) **U.S. Cl.**
USPC **D13/123**

(58) **Field of Classification Search**

USPC D13/101, 107, 110-112, 114, 117, 118,
D13/120, 122-128, 133, 158-160, 162.1,
D13/164, 167, 184, 199; D14/125, 142,
D14/240, 348, 353, 358; D12/332; D15/5,
D15/138, 143; D21/330; D23/200, 207;
290/31, 36 R, 38 R; 310/10, 40 R, 40.5;
361/66, 605, 612; 218/2, 77-79, 102,
218/118

CPC . H02M 7/003; H05K 7/20918; H05K 7/1418;
G02B 6/3897; G02B 6/4453; G06F 1/18;
G06F 1/1632; H04N 5/268; H01H 33/66;
H02K 11/046; H02K 19/365; H02K 5/225

See application file for complete search history.

(56) **References Cited**

U.S. PATENT DOCUMENTS

D604,237	S	*	11/2009	Engel et al.	D13/110
D604,238	S	*	11/2009	Engel et al.	D13/110
D604,239	S	*	11/2009	Engel et al.	D13/110
D605,143	S	*	12/2009	Von Arx et al.	D13/184
D605,144	S	*	12/2009	Von Arx et al.	D13/184
D610,540	S	*	2/2010	Engel et al.	D13/110
D616,815	S	*	6/2010	Jadraque Aznarez et al.	D13/110
D620,885	S	*	8/2010	Donth	D13/110
7,817,406	B2	*	10/2010	Bremicker et al.	361/679.01
8,520,381	B2	*	8/2013	Hobein et al.	361/679.54
D706,214	S	*	6/2014	Benn	D13/110
2008/0302643	A1	*	12/2008	Victor et al.	200/331
2012/0182689	A1	*	7/2012	Donth et al.	361/695

* cited by examiner

Primary Examiner — Thomas Johannes

Assistant Examiner — Shawn T Gingrich

(74) *Attorney, Agent, or Firm* — Slater & Matsil, L.L.P.

(57) **CLAIM**

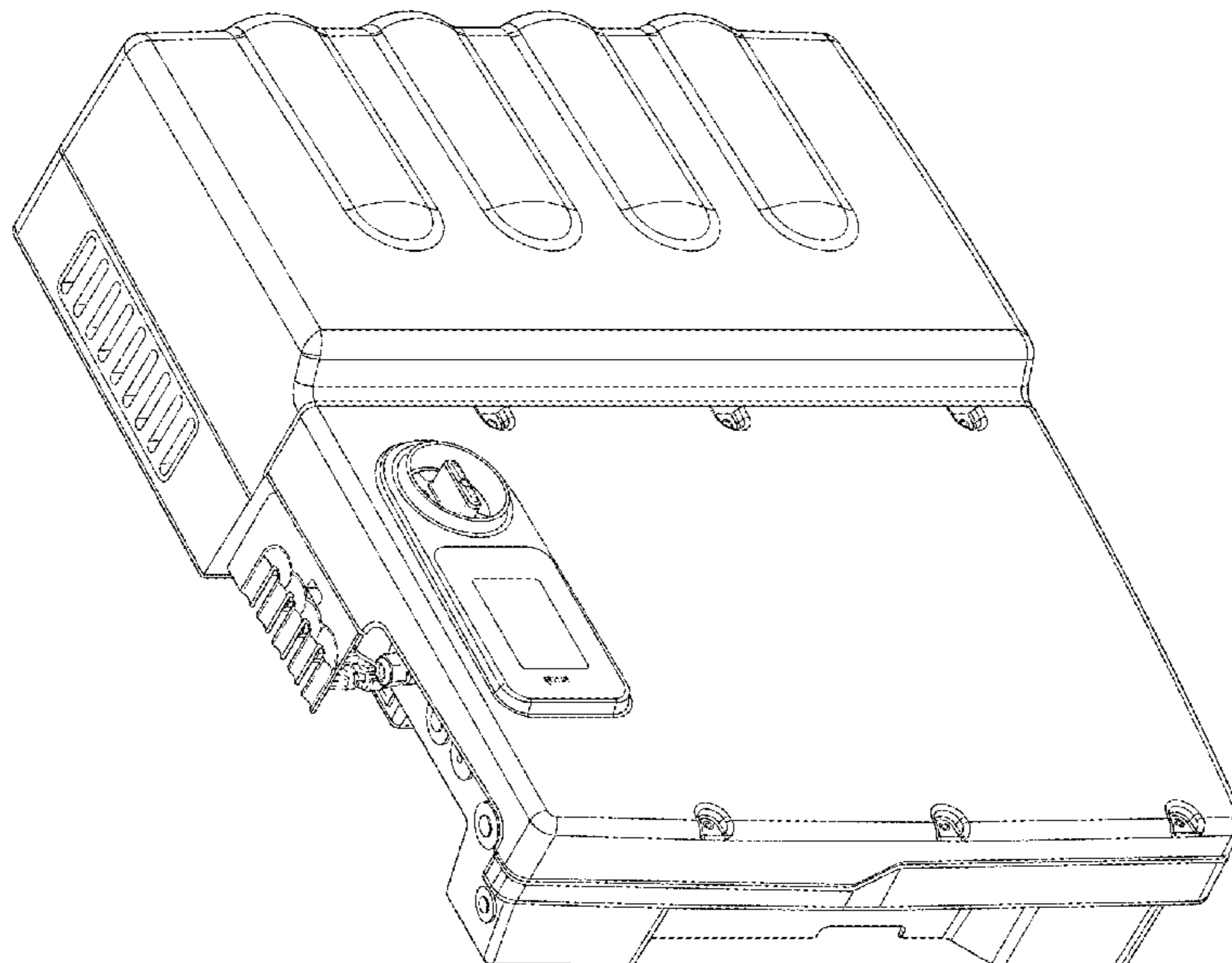
The ornamental design for an inverter, as shown and described.

DESCRIPTION

FIG. 1 is a front perspective view of an inverter;
FIG. 2 is a top view thereof;
FIG. 3 is a bottom view thereof;
FIG. 4 is a right side view thereof;
FIG. 5 is a left side view thereof;
FIG. 6 is a front view thereof; and,
FIG. 7 is a back view thereof.

The broken line portion of the figure drawings is included to show unclaimed subject matter only and forms no part of the claimed design.

1 Claim, 7 Drawing Sheets



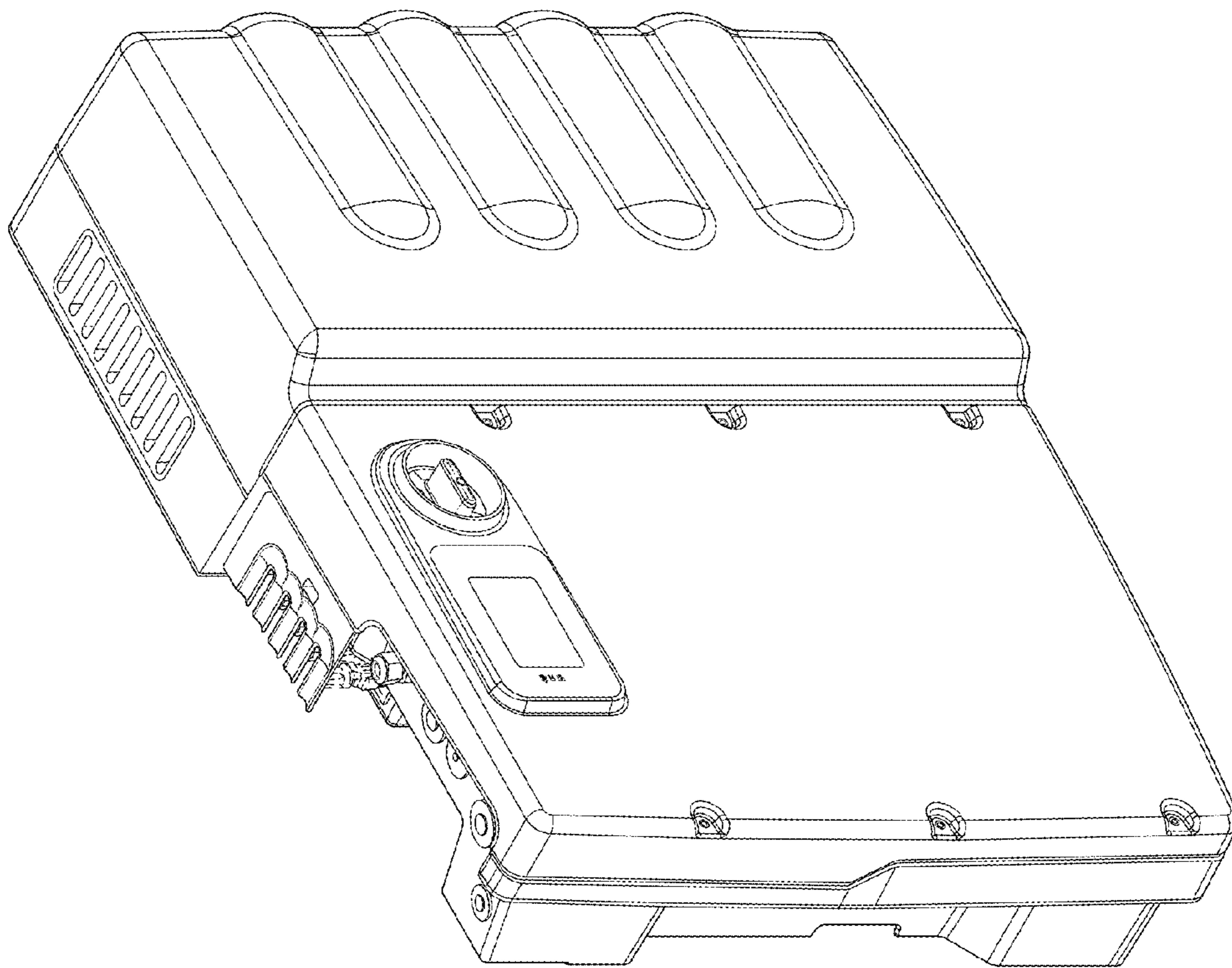


FIG. 1

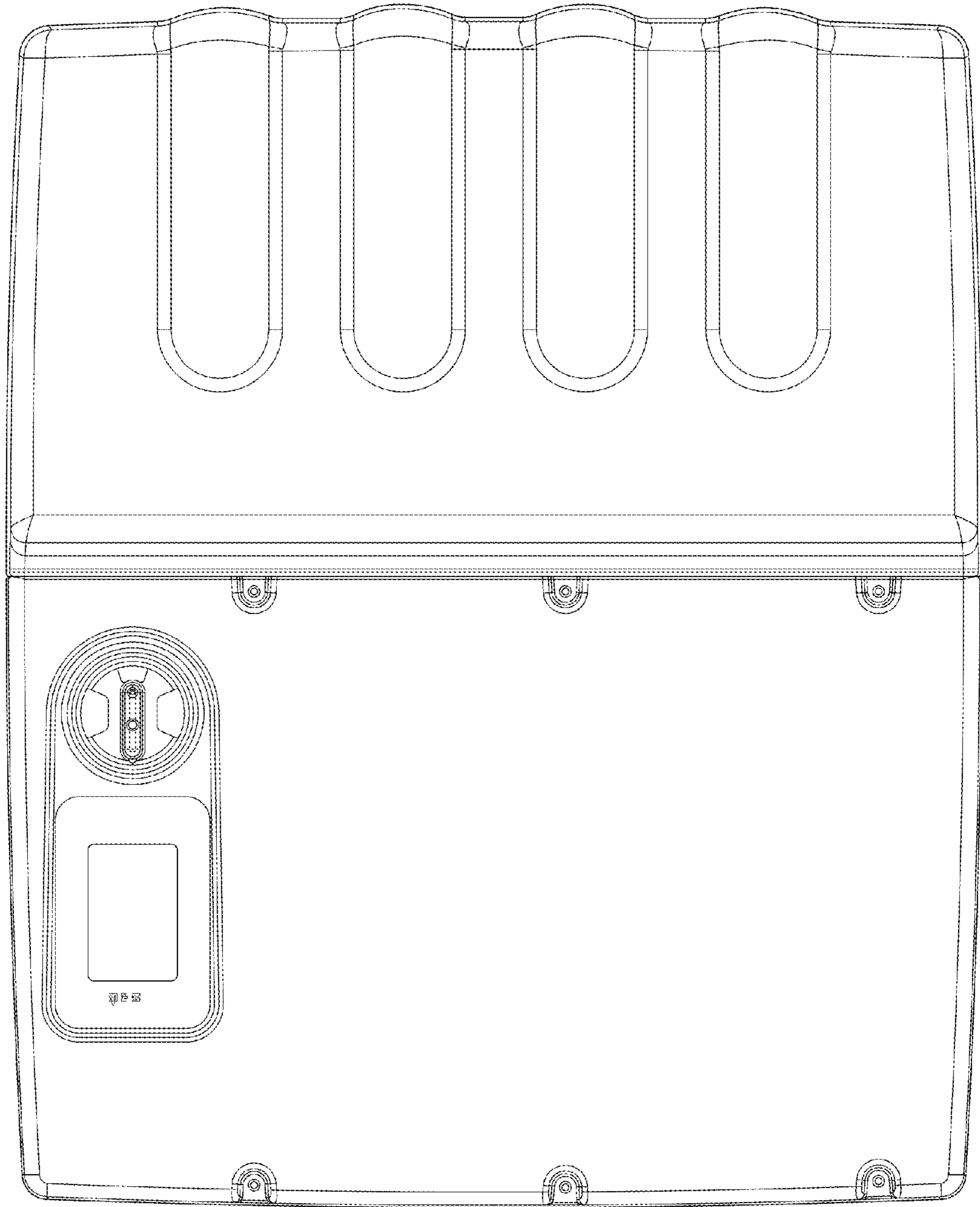


FIG. 2

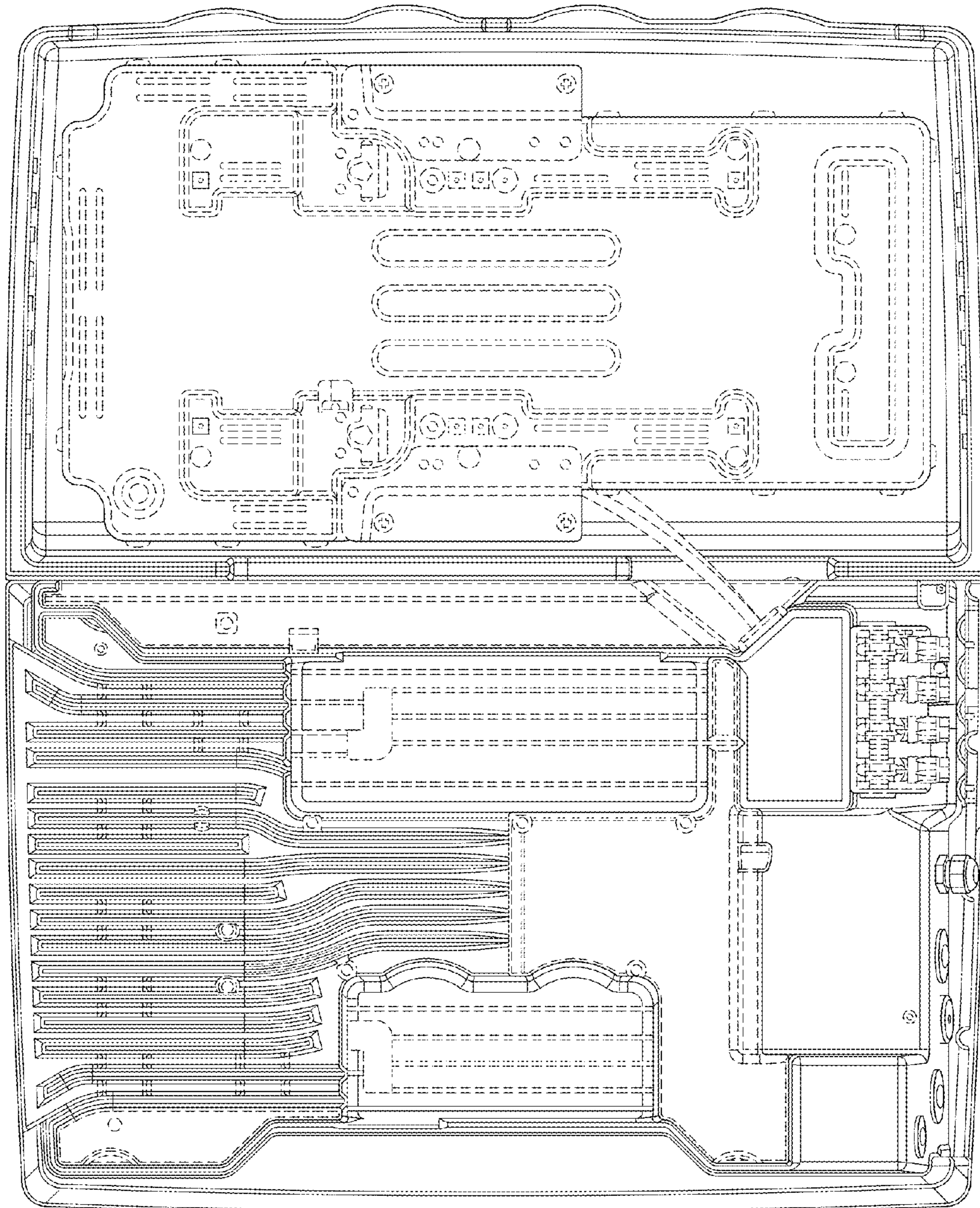


FIG. 3

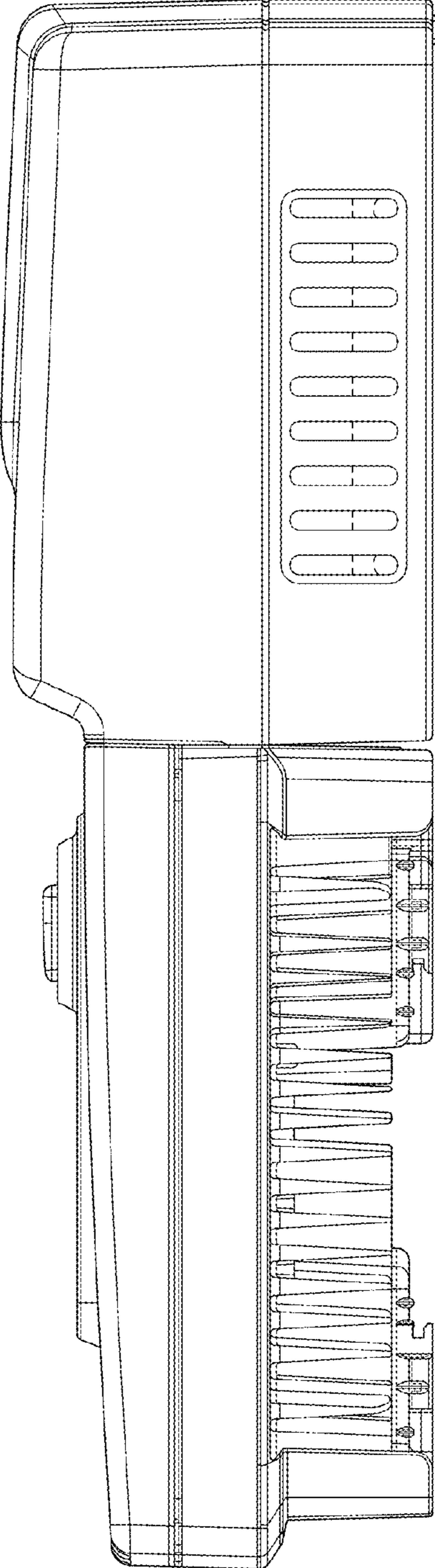


FIG. 4

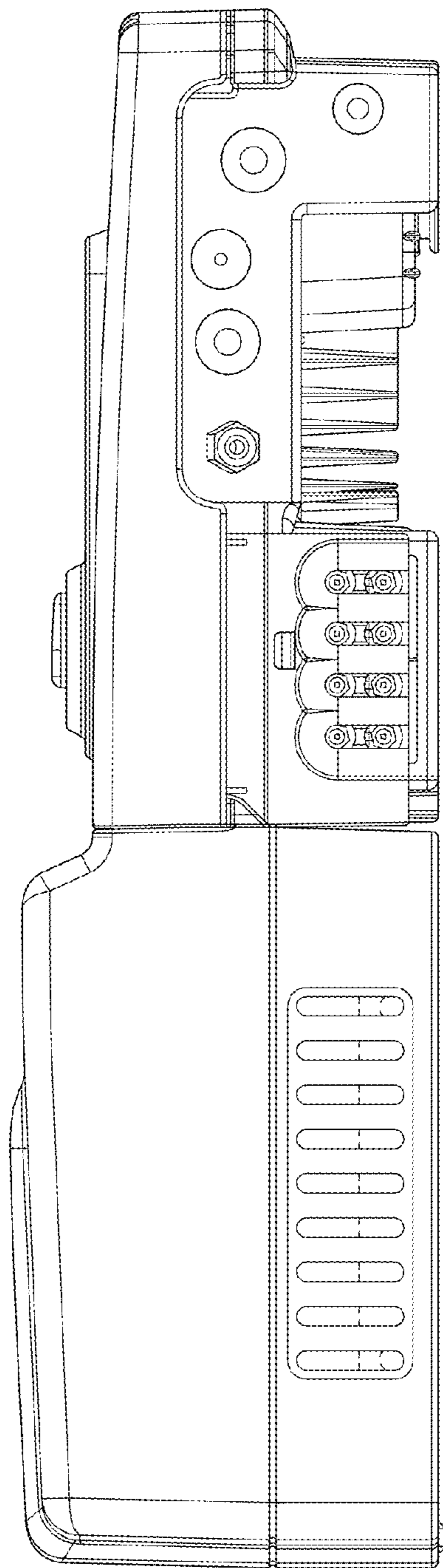


FIG. 5

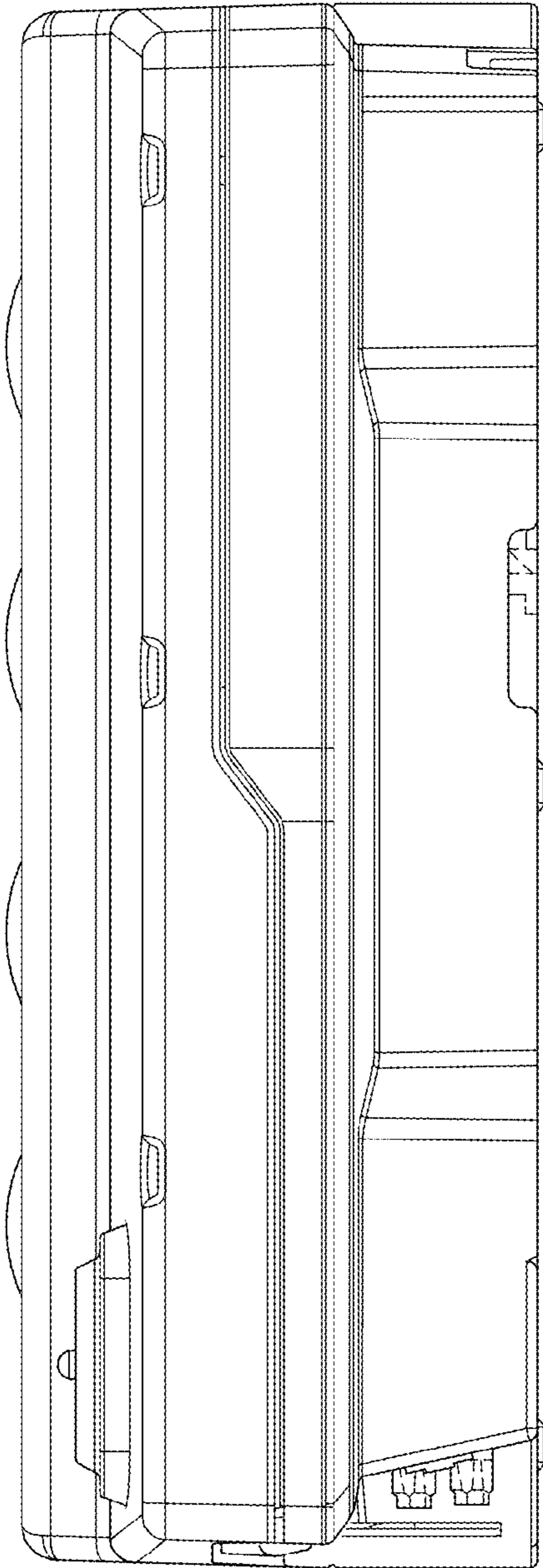


FIG. 6

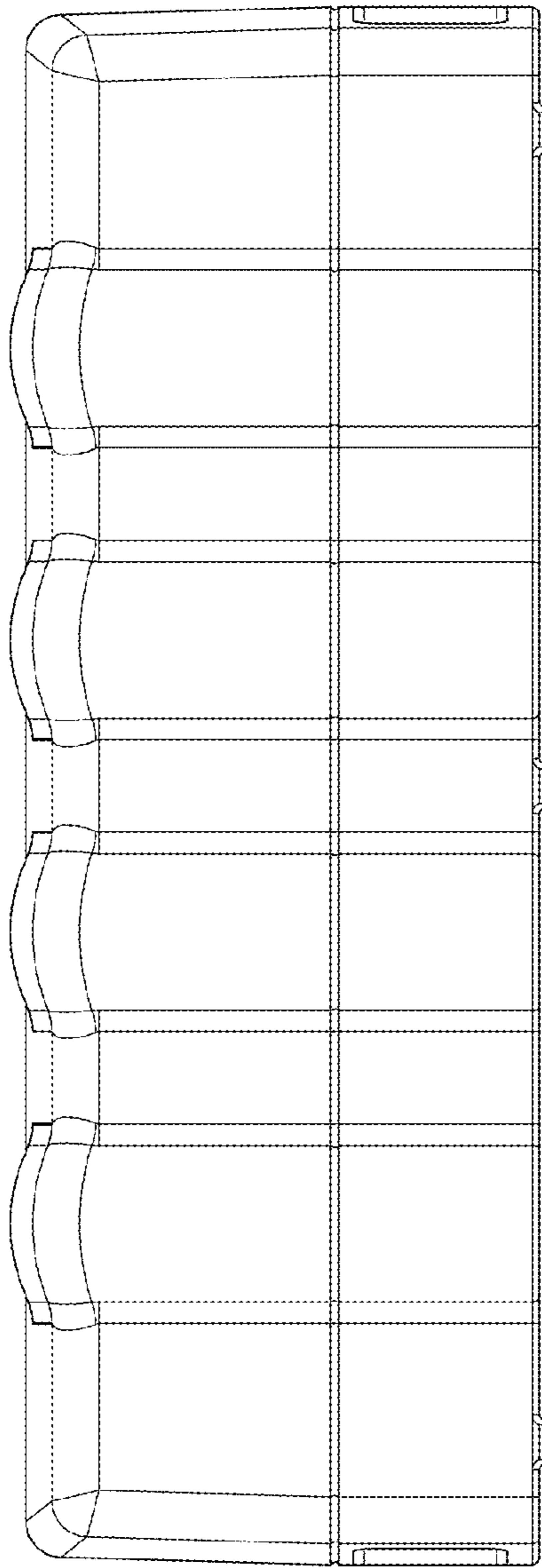


FIG. 7