



US00D739351S

(12) **United States Design Patent**
Dai

(10) **Patent No.:** **US D739,351 S**

(45) **Date of Patent:** **** Sep. 22, 2015**

(54) **COVER LID OF LEAD-ACID BATTERY**

(71) Applicant: **Alex Dai**, Taichung (TW)

(72) Inventor: **Alex Dai**, Taichung (TW)

(**) Term: **14 Years**

(21) Appl. No.: **29/462,748**

(22) Filed: **Aug. 7, 2013**

(30) **Foreign Application Priority Data**

Feb. 8, 2013 (TW) 102301168

(51) **LOC (10) Cl.** **13-02**

(52) **U.S. Cl.**
USPC **D13/119**

(58) **Field of Classification Search**
USPC D13/119, 103, 104, 106, 107, 118, 120;
320/103-105, 107; 429/175, 177-179,
429/65, 181, 522

CPC H01M 2/30
See application file for complete search history.

(56) **References Cited**

U.S. PATENT DOCUMENTS

1,618,528	A *	2/1927	Grill	429/175
1,796,343	A *	3/1931	Pierson	220/765
D121,225	S *	6/1940	Rolph	D13/119
D143,362	S *	12/1945	Stevens	D13/104
D152,169	S *	12/1948	Raney	D13/119
2,671,819	A *	3/1954	Field	429/65
4,121,017	A *	10/1978	Dougherty et al.	429/7
4,131,723	A *	12/1978	Dalibard et al.	429/81
4,424,264	A *	1/1984	McGuire et al.	429/179
4,486,516	A *	12/1984	Poe	429/82
4,634,642	A *	1/1987	Lopez-Doriga	
			Lopez-Doriga	429/121

D335,647	S *	5/1993	Hood	D13/119
D352,498	S *	11/1994	Beidler et al.	D13/119
5,663,010	A *	9/1997	Stocchiero	429/86
5,902,695	A *	5/1999	Siedlik et al.	429/65
D413,654	S *	9/1999	Paredes et al.	D23/250
D450,653	S *	11/2001	Hertel et al.	D13/119
D468,261	S *	1/2003	Peng	D13/119
D536,301	S *	2/2007	Kawakita et al.	D13/119
D543,938	S *	6/2007	Kawakita et al.	D13/119
D580,353	S *	11/2008	Harrison et al.	D13/103
D625,686	S *	10/2010	Dickson	D13/107
D642,120	S *	7/2011	Kretschmer	D13/103
D659,088	S *	5/2012	Steinberg	D13/106
D685,730	S *	7/2013	Hamm et al.	D13/103

* cited by examiner

Primary Examiner — Paula Greene

(74) *Attorney, Agent, or Firm* — Muncy, Geissler, Olds & Lowe, P.C.

(57) **CLAIM**

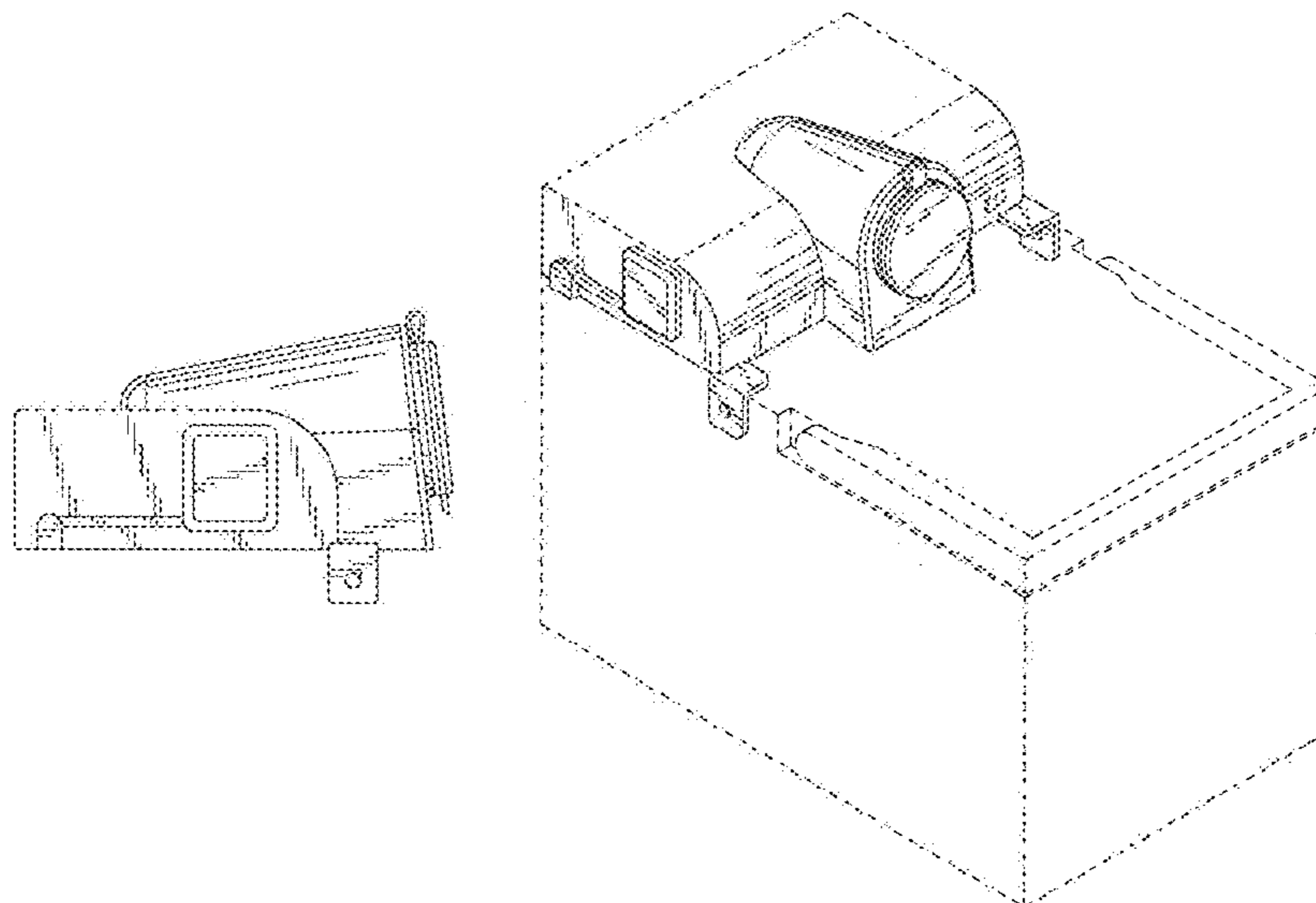
I claim the ornamental design for a cover lid of lead-acid battery, as shown and described.

DESCRIPTION

FIG. 1 is a perspective view of a cover lid of lead-acid battery showing my new design;
FIG. 2 is a front view thereof;
FIG. 3 is a rear view thereof;
FIG. 4 is a left view thereof;
FIG. 5 is a right view thereof;
FIG. 6 is a top plan view thereof;
FIG. 7 is a bottom plan view thereof; and,
FIG. 8 is a perspective view of the cover lid of lead-acid battery in use.

The portions shown in broken lines are for the purpose of illustrating environmental structure only and form no part of the claimed design.

1 Claim, 5 Drawing Sheets



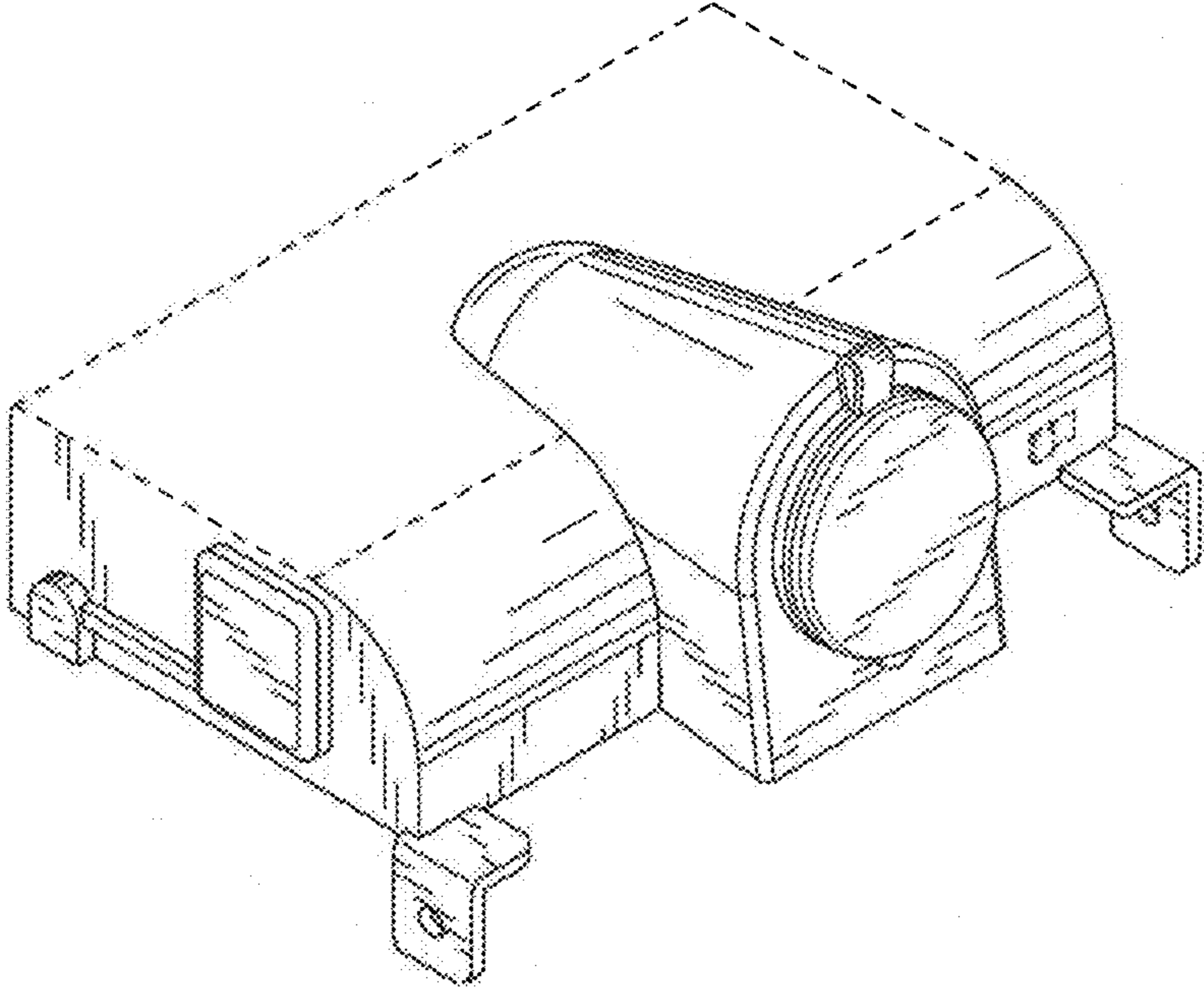


FIG. 1

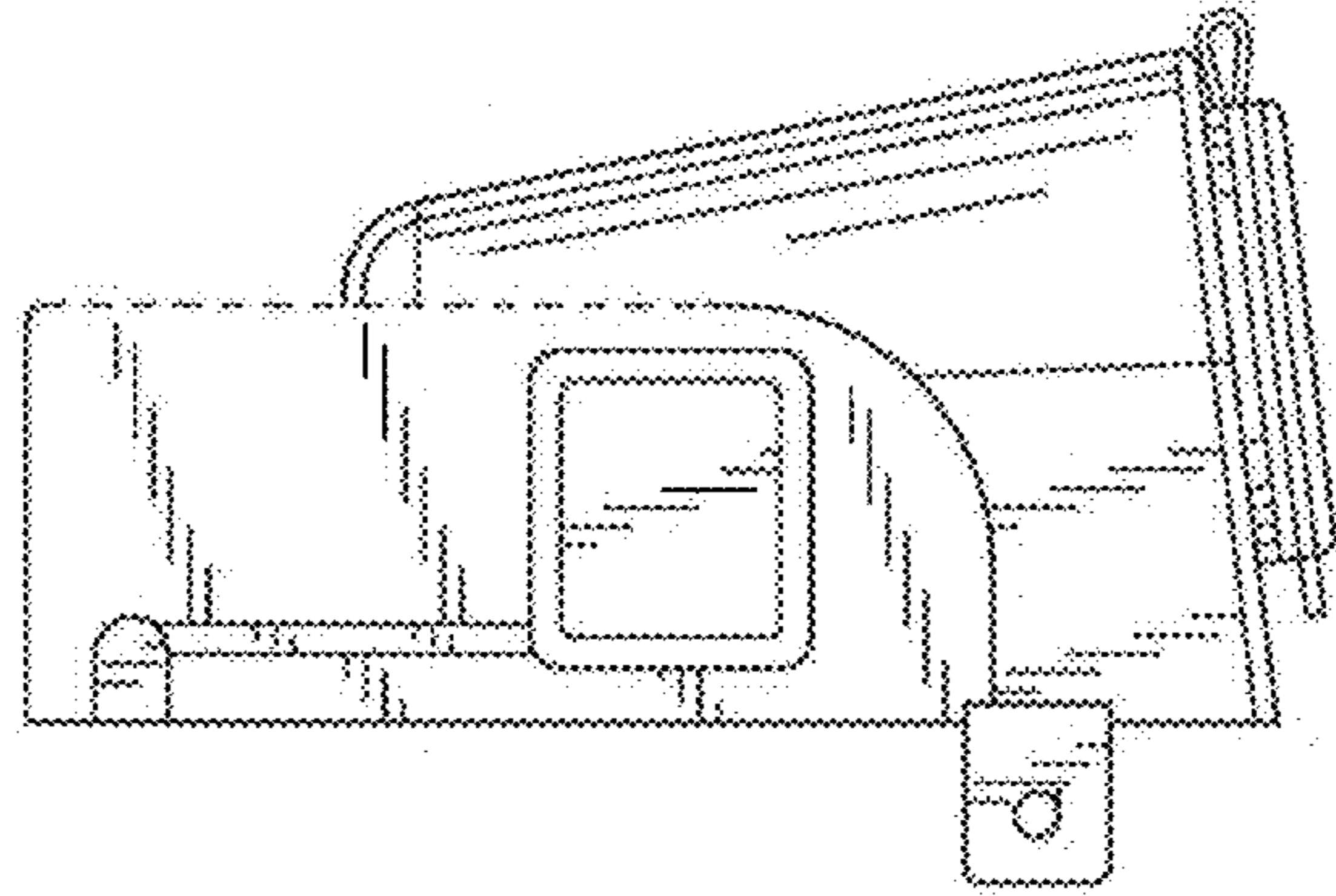


FIG. 2

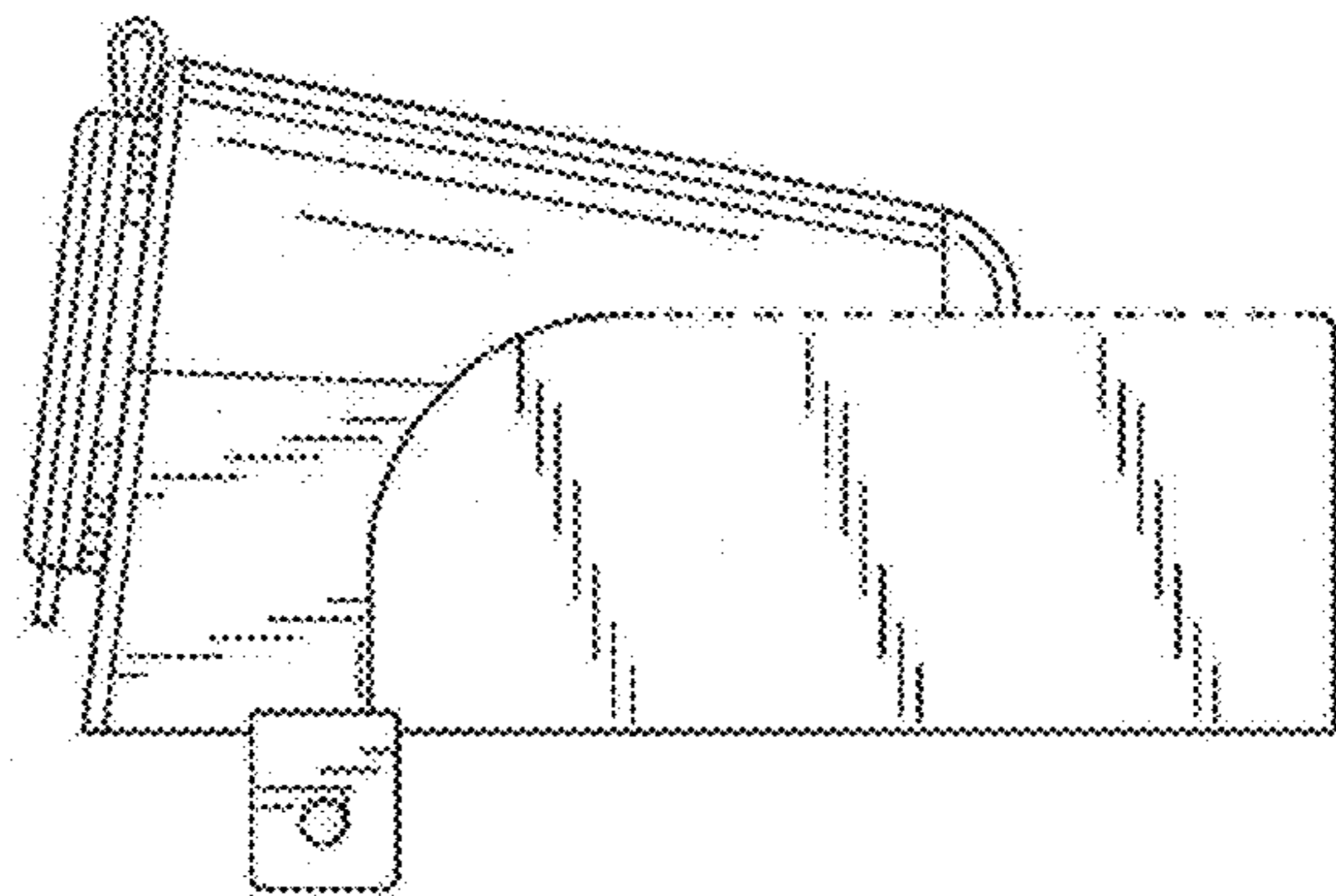


FIG. 3

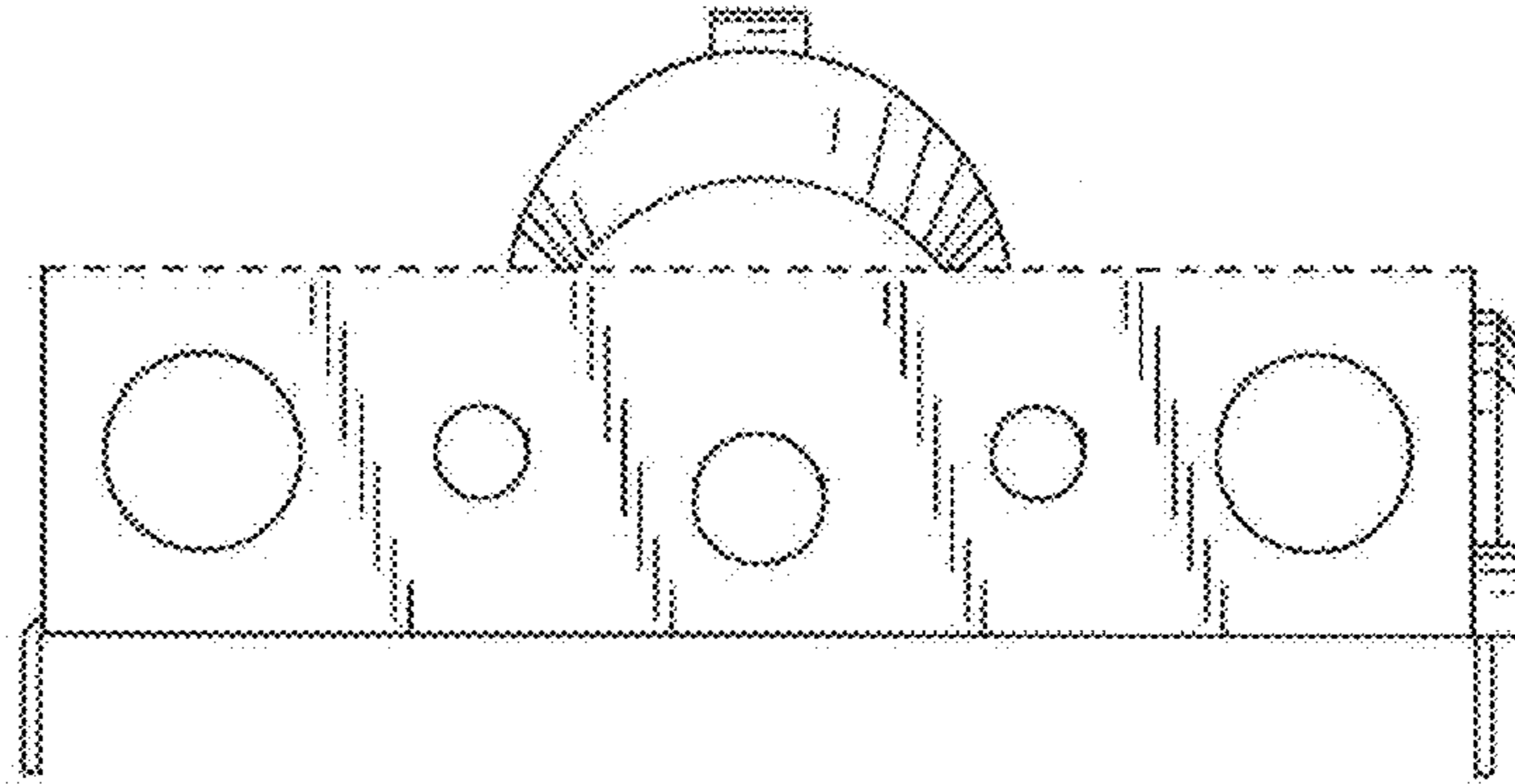


FIG. 4

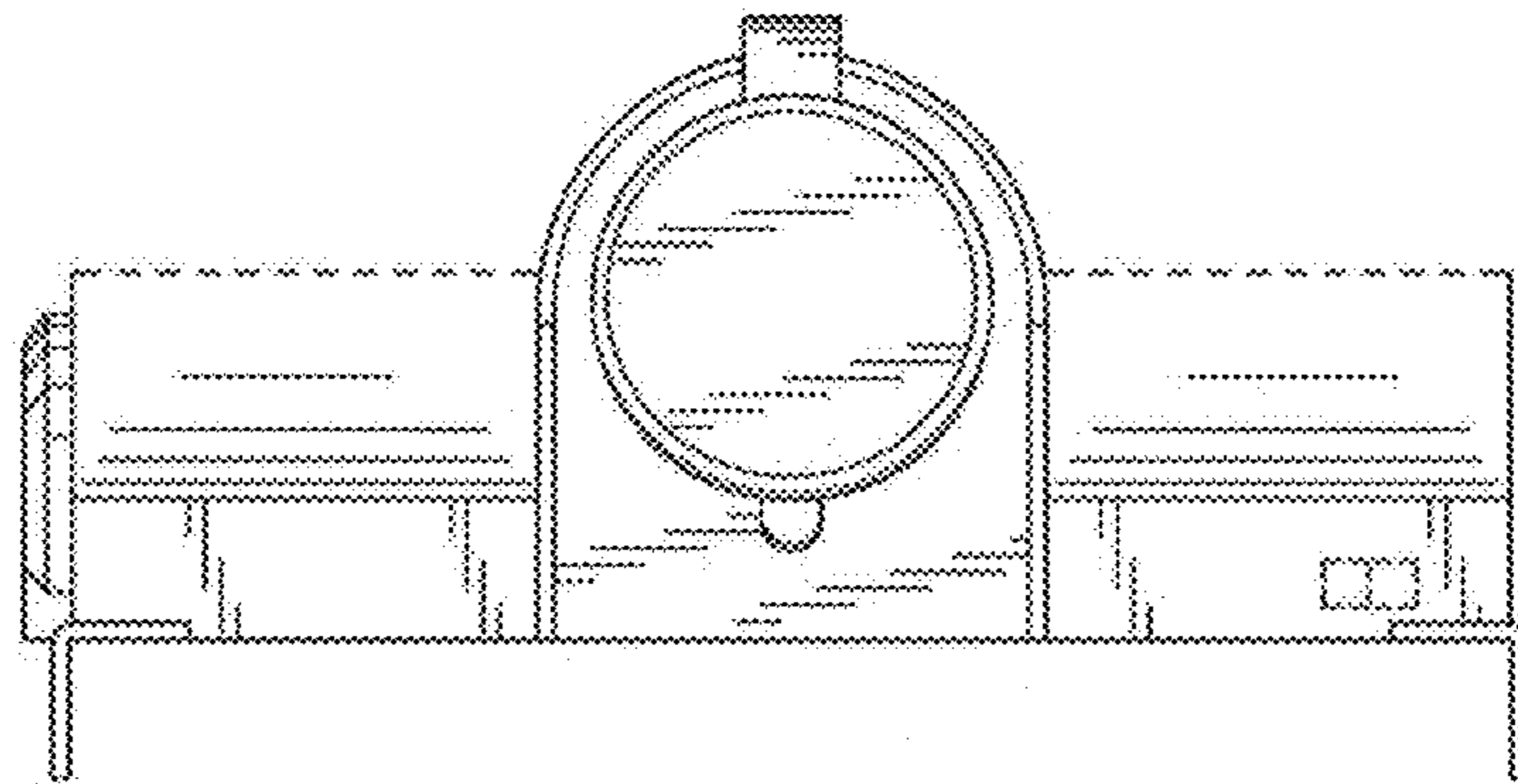


FIG. 5

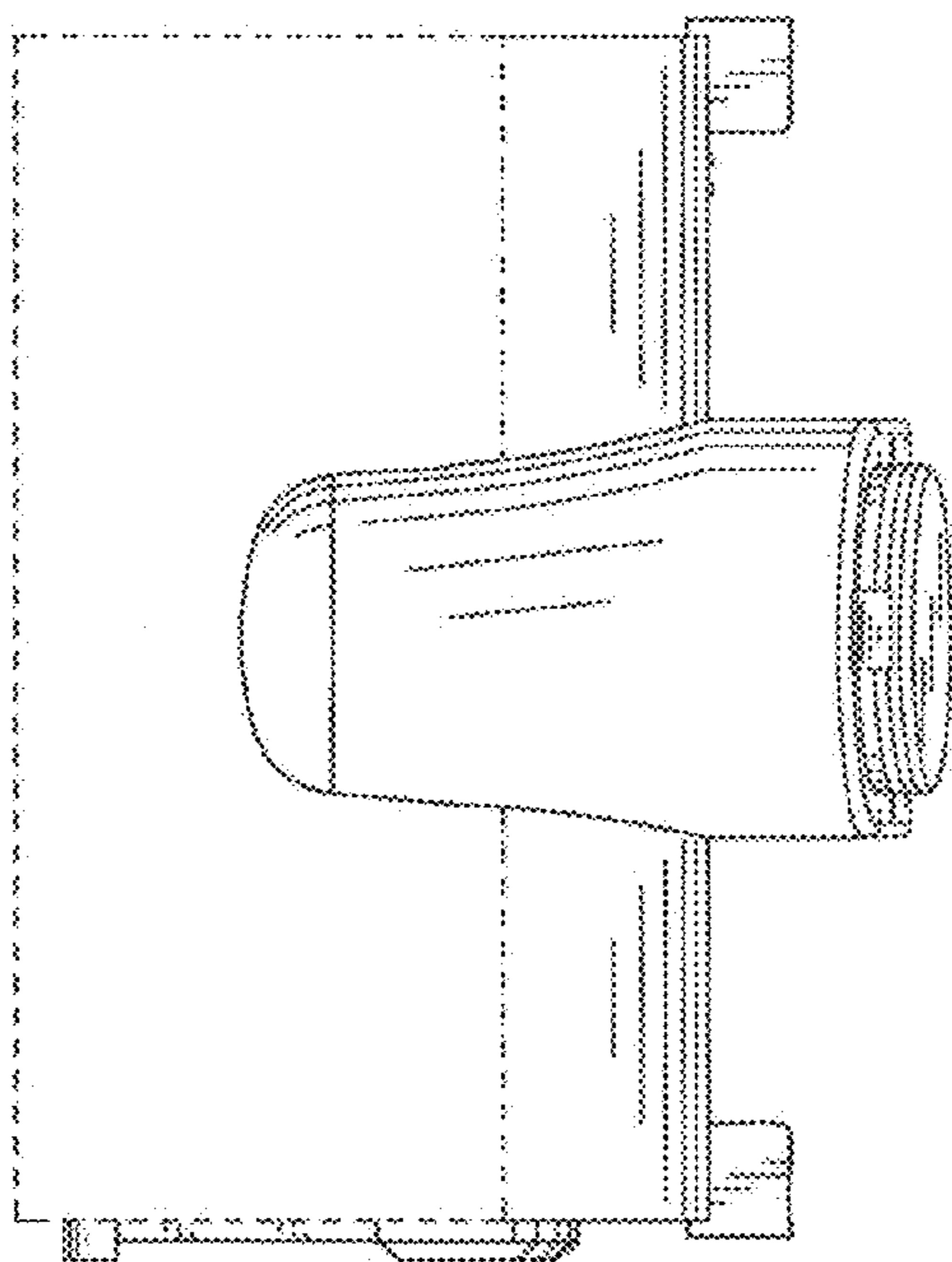


FIG. 6

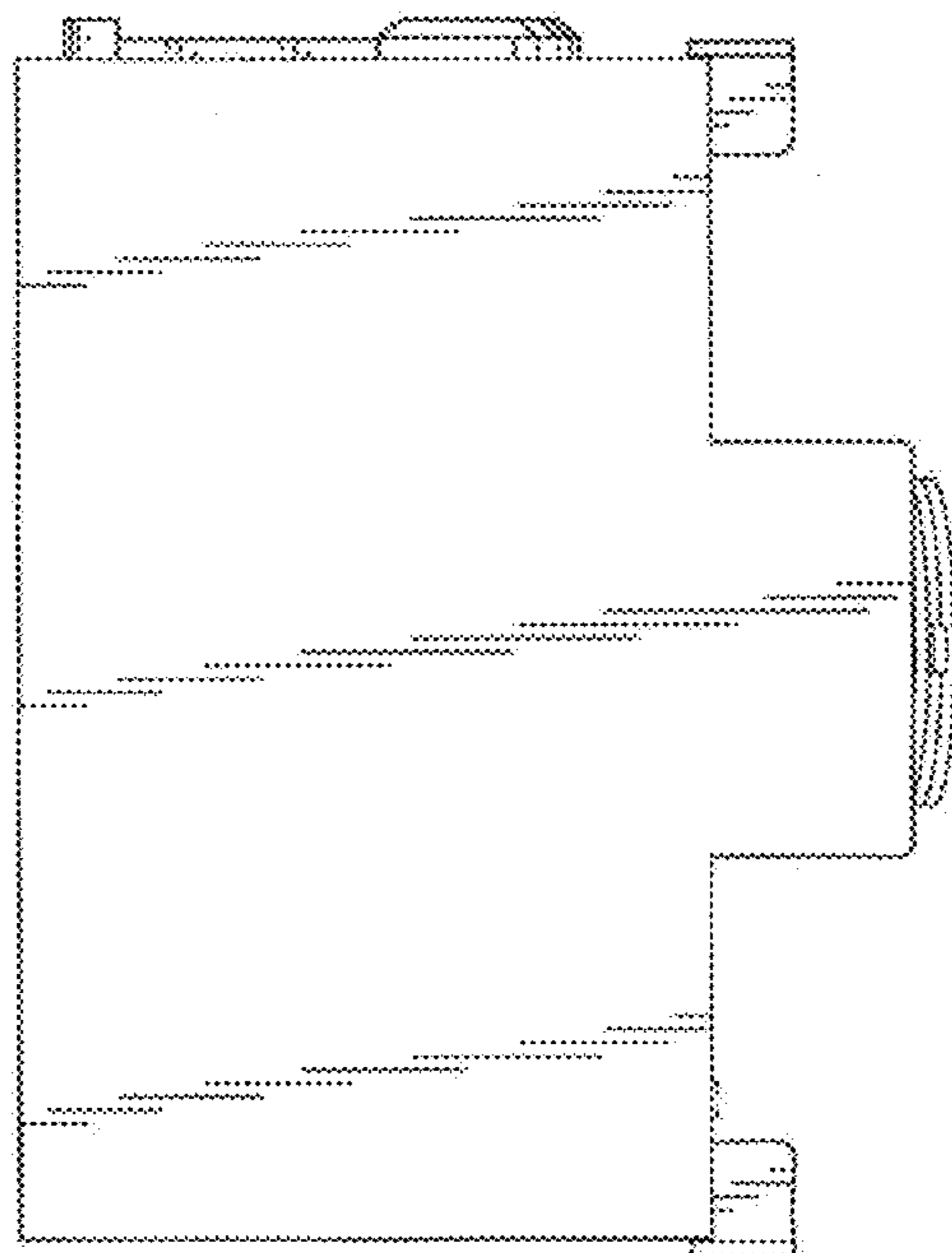


FIG. 7

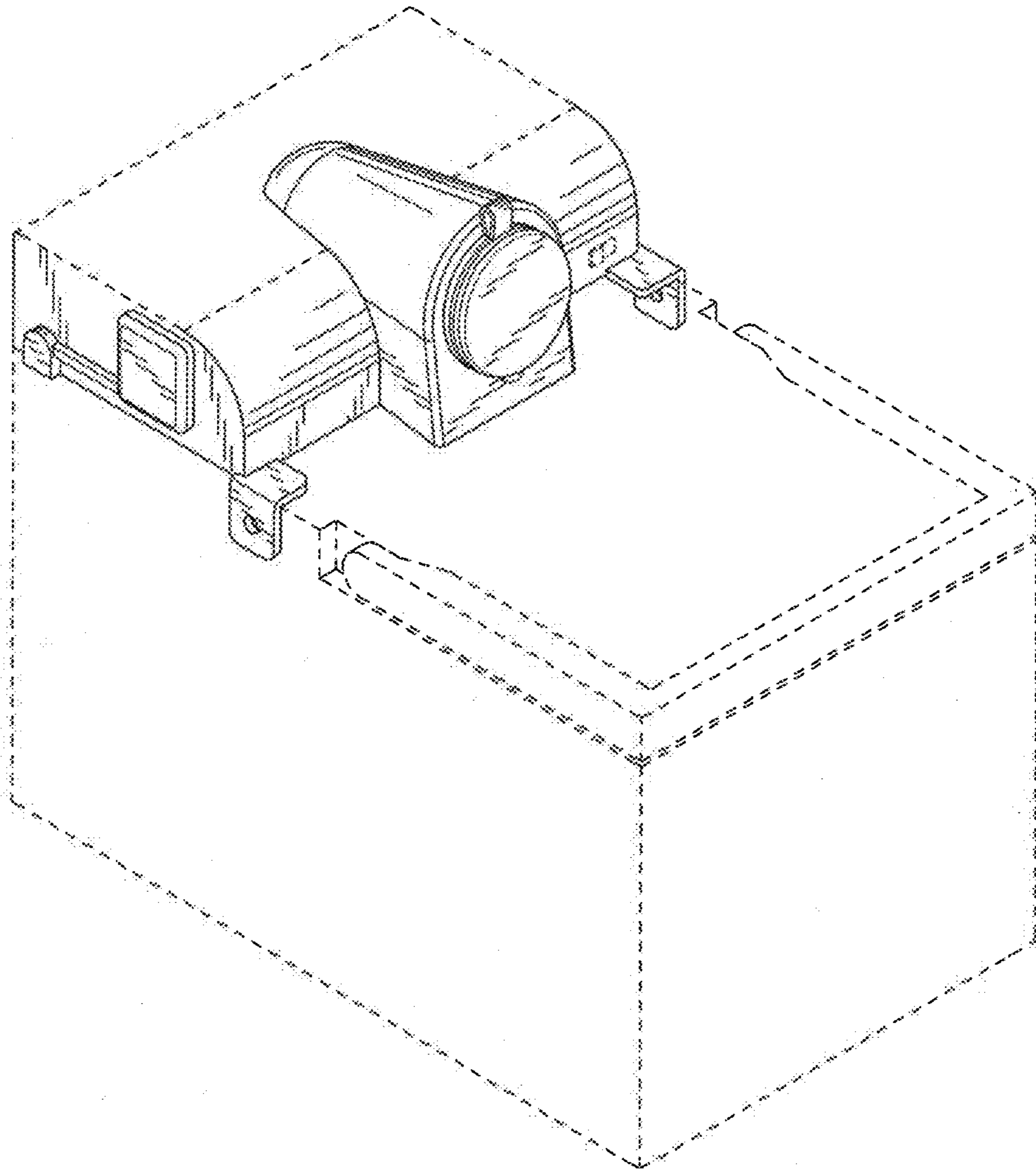


FIG. 8