



US00D739350S

(12) **United States Design Patent**
Kuwabara et al.

(10) **Patent No.:** **US D739,350 S**

(45) **Date of Patent:** **** Sep. 22, 2015**

(54) **POWER CIRCUIT BLOCK**

(71) Applicant: **TAMURA Corporation**, Tokyo (JP)

(72) Inventors: **Kiyonori Kuwabara**, Saitama (JP);
Kiyotaka Yoshida, Saitama (JP)

(73) Assignee: **TAMURA Corporation**, Tokyo (JP)

(**) Term: **14 Years**

(21) Appl. No.: **29/483,551**

(22) Filed: **Feb. 28, 2014**

(30) **Foreign Application Priority Data**

Aug. 30, 2013 (JP) 2013-020162

(51) **LOC (10) Cl.** **13-02**

(52) **U.S. Cl.**
USPC **D13/118**

(58) **Field of Classification Search**
USPC D13/118, 101, 103, 110, 117, 121, 162,
D13/179, 180, 182, 199; 257/675, 693, 698,
257/707, 709, 717, 718, 719, 720, 721, 722,
257/790, 796; 307/89, 91, 150; 361/679,
361/707, 717, 718, 719, 720, 736, 752, 775,
361/777, 815; 363/36, 37, 55, 56.01, 131,
363/141, 142, 144
CPC H01L 2224/42; H01L 2224/43; H01L
2224/44; H01L 2224/45001; H01L
2224/45005; H01L 2224/4501; H01L 21/00;
H01L 21/02; H05K 7/20
See application file for complete search history.

(56) **References Cited**

U.S. PATENT DOCUMENTS

D358,804 S * 5/1995 Siegel et al. D13/182
D360,619 S * 7/1995 Terasawa et al. D13/182

D365,081 S * 12/1995 Rodriguez D13/110
D453,142 S * 1/2002 Watanabe et al. D13/118
D476,622 S * 7/2003 Ando et al. D13/118
D495,295 S * 8/2004 Alcantar et al. D13/110
2006/0126312 A1 * 6/2006 Kroneder 361/752

* cited by examiner

Primary Examiner — Derrick Holland

(74) *Attorney, Agent, or Firm* — Osha Liang LLP

(57) **CLAIM**

The ornamental design for a power circuit block, as shown and described.

DESCRIPTION

FIG. 1 is a front elevation view of a power circuit block showing our new design;
FIG. 2 is a rear elevation view thereof;
FIG. 3 is a left side elevation view thereof;
FIG. 4 is a right side elevation view thereof;
FIG. 5 is a top plan view thereof;
FIG. 6 is a bottom plan view thereof;
FIG. 7 is a front and top perspective view thereof;
FIG. 8 is a rear and top perspective view thereof;
FIG. 9 is a front and bottom perspective view thereof;
FIG. 10 is a rear and bottom perspective view thereof;
FIG. 11 is a cross-sectional view thereof taken along line XI-XI of FIG. 5;
FIG. 12 is a cross-sectional view thereof taken along line XII-XII of FIG. 5;
FIG. 13 is a cross-sectional view thereof taken along line XIII-XIII of FIG. 6; and,
FIG. 14 is a cross-sectional view thereof taken along line XIV-XIV of FIG. 6.

1 Claim, 12 Drawing Sheets

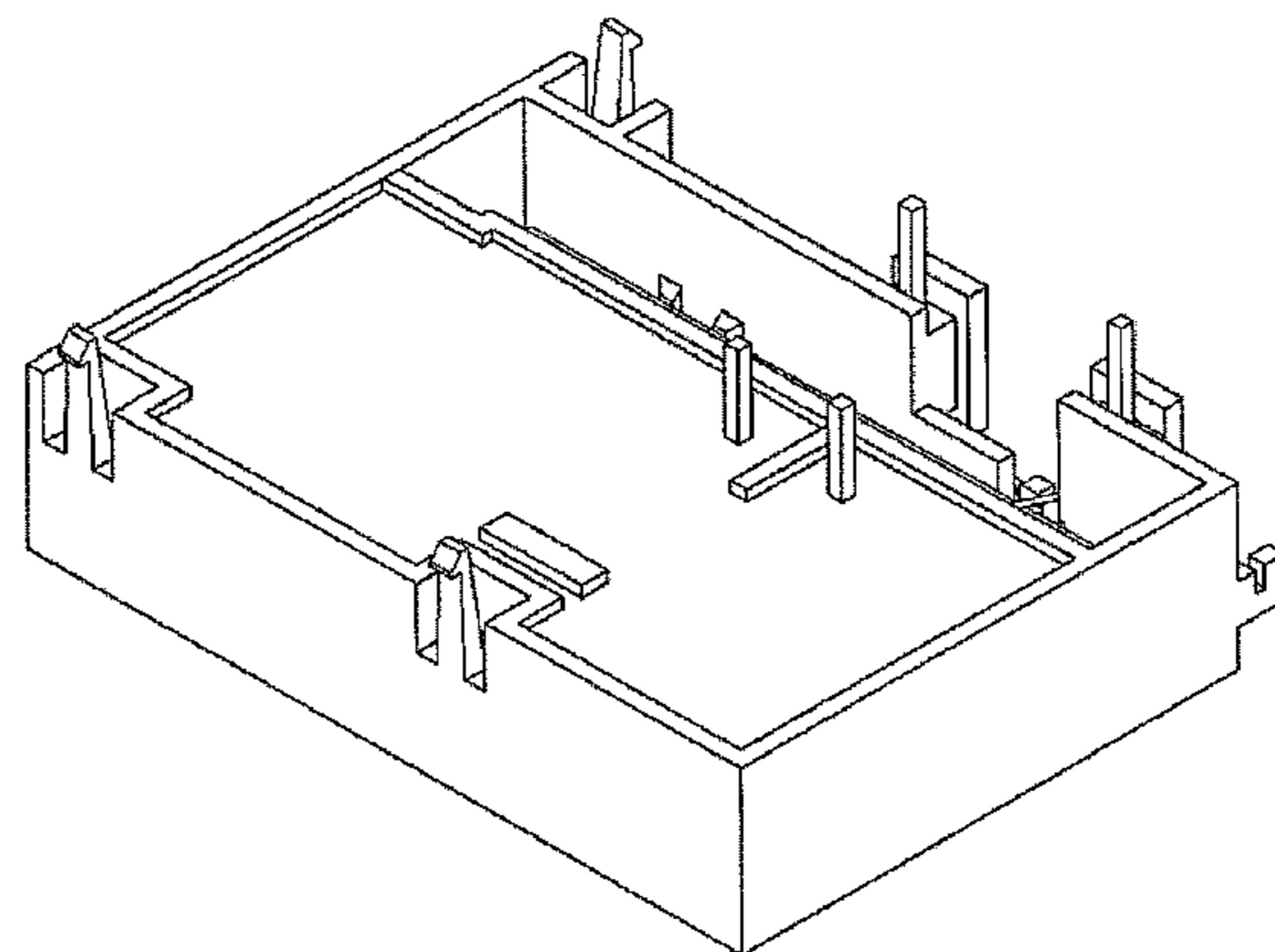
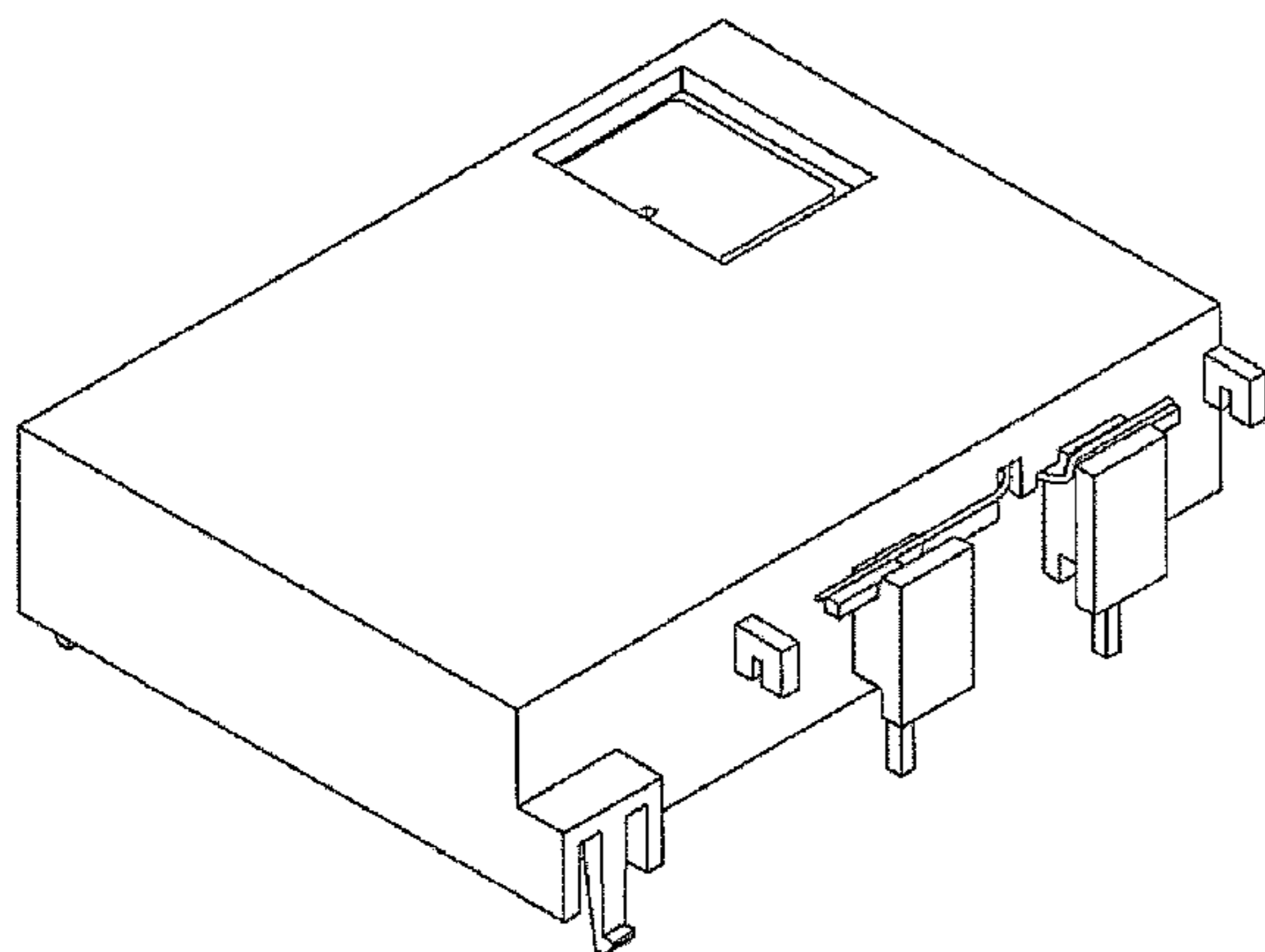


FIG. 1

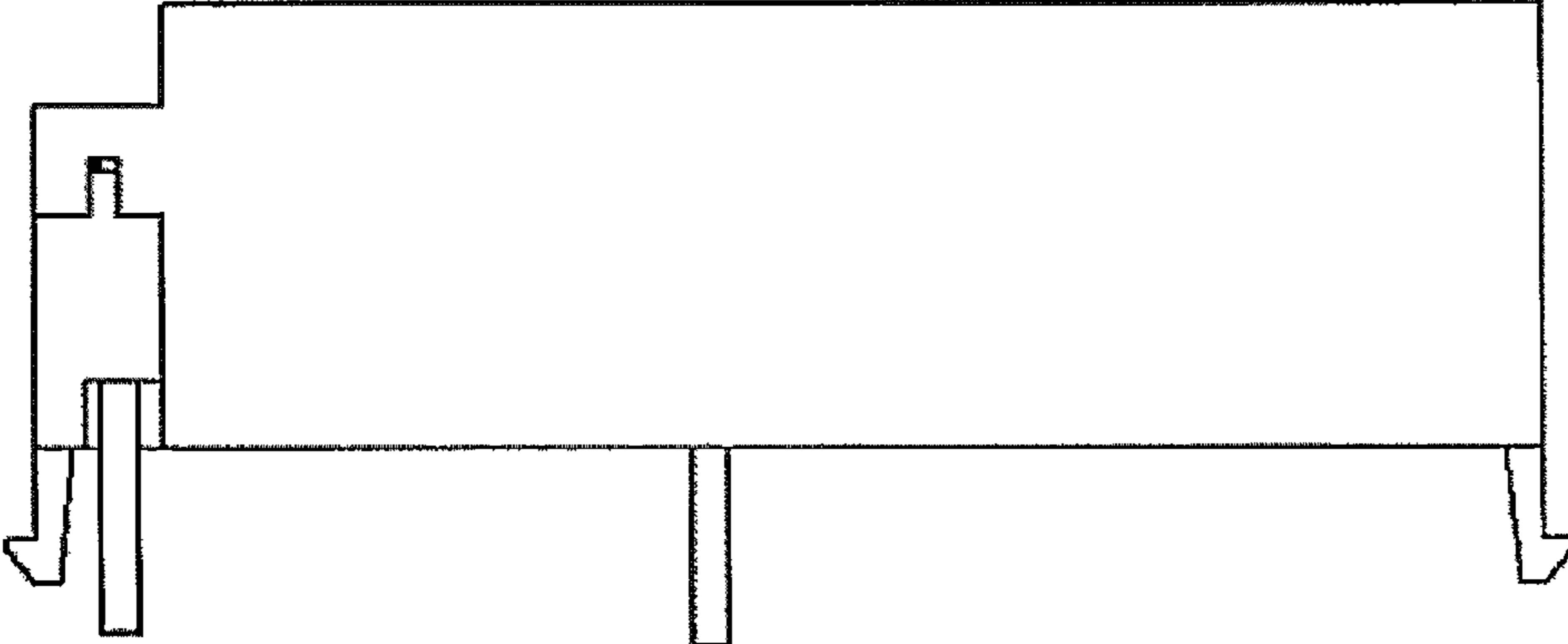


FIG. 2

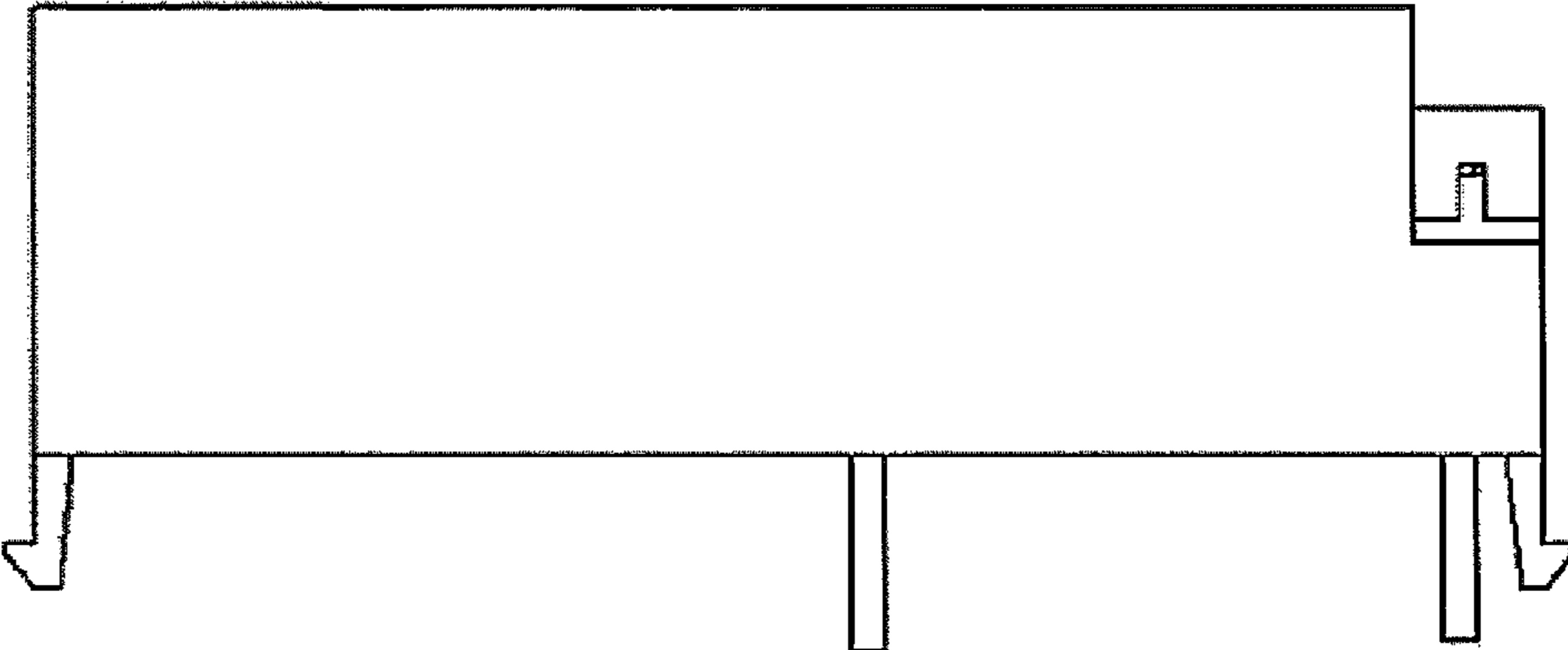


FIG. 3

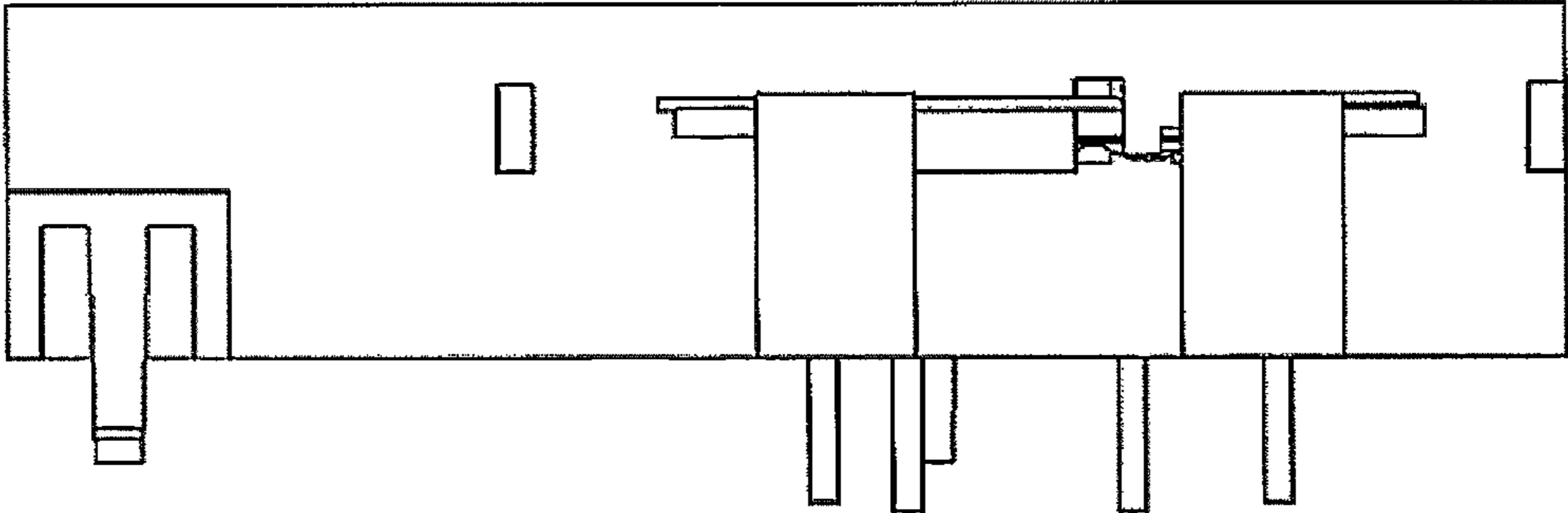


FIG. 4

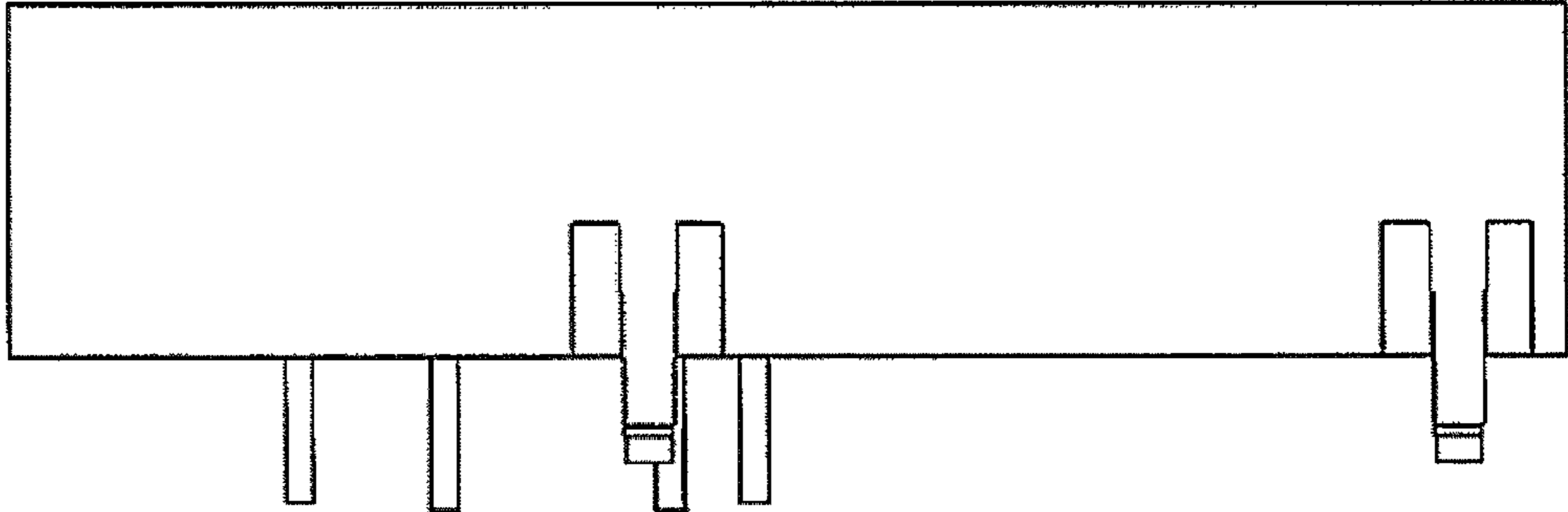


FIG. 5

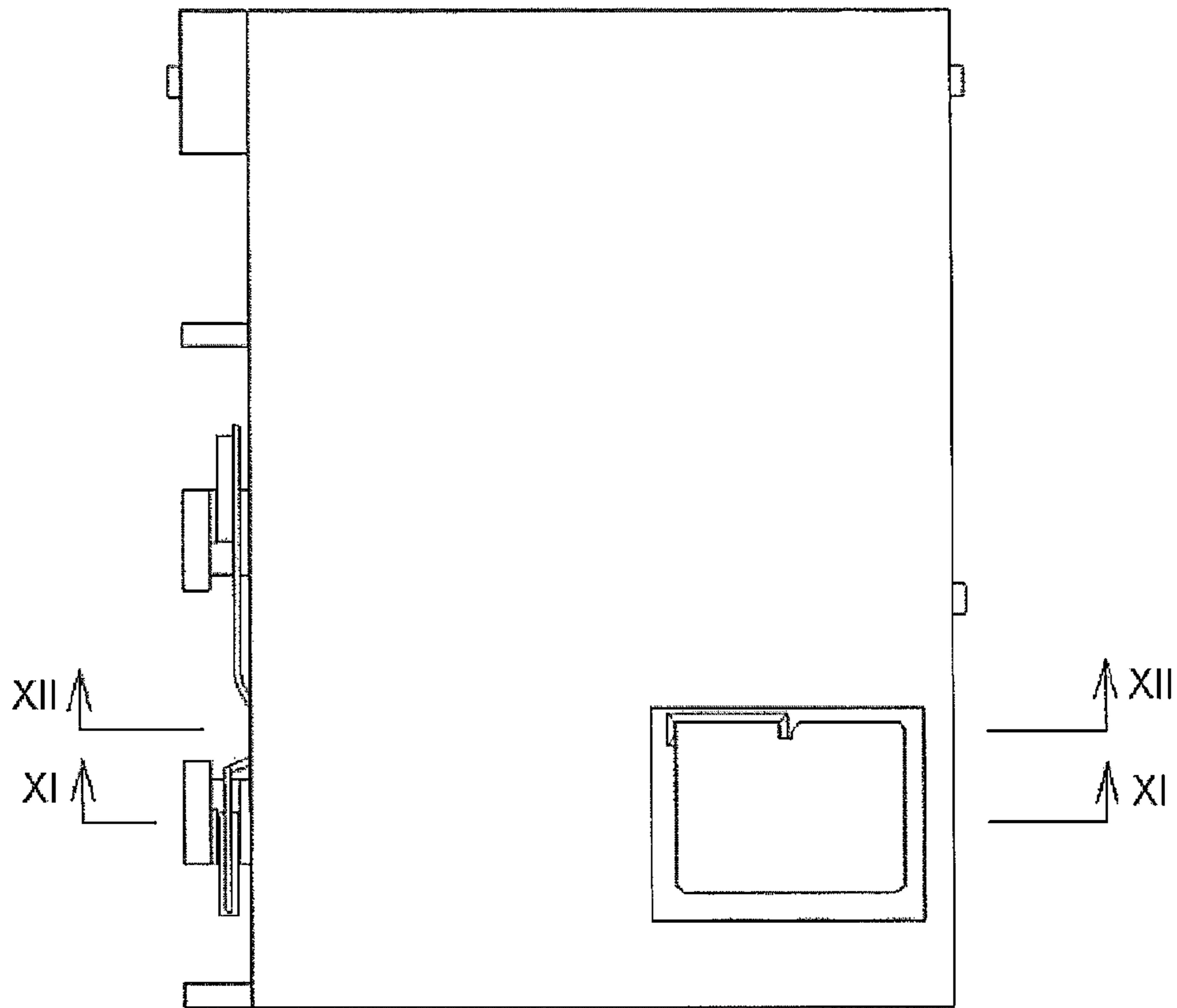


FIG. 6

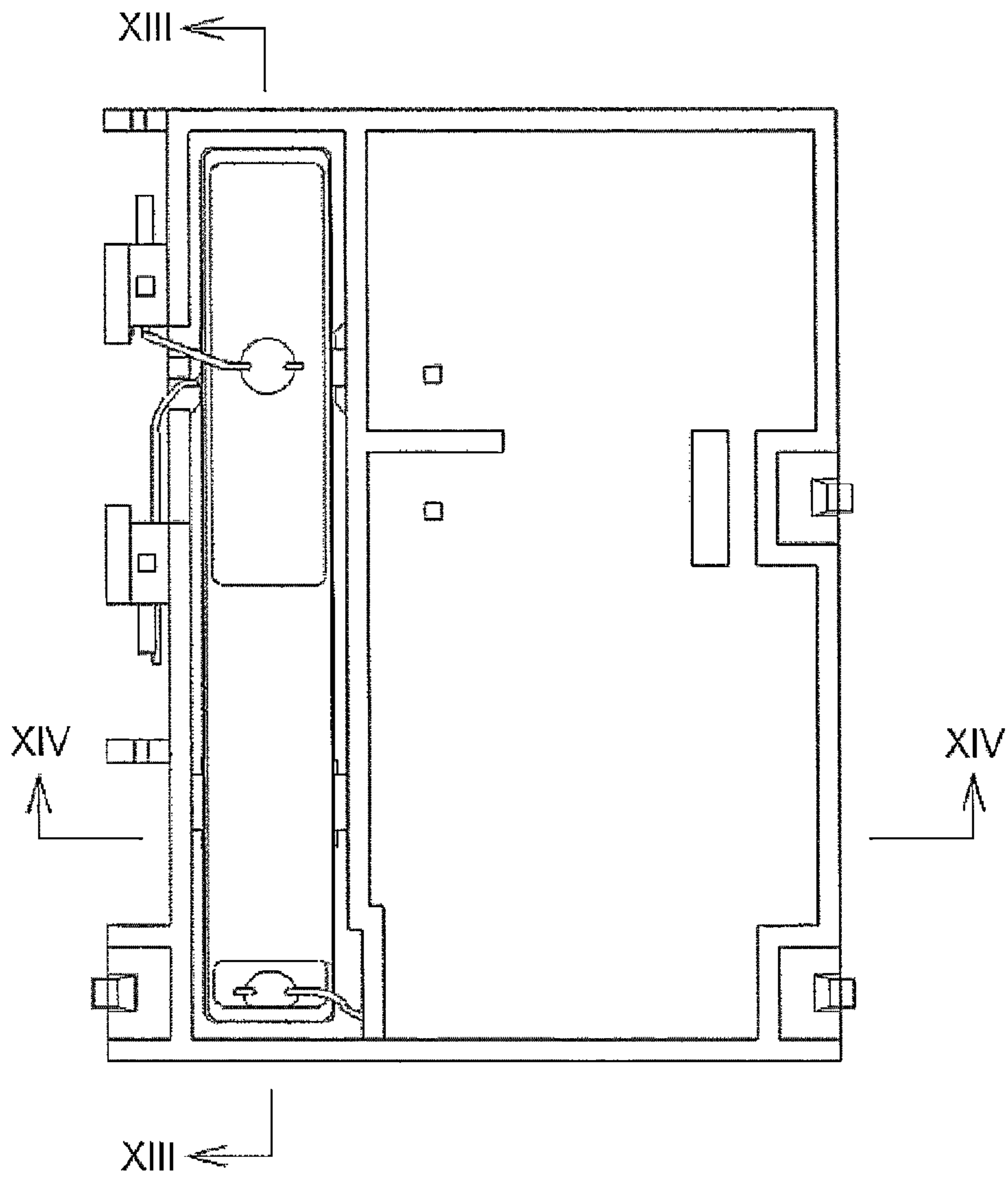


FIG. 7

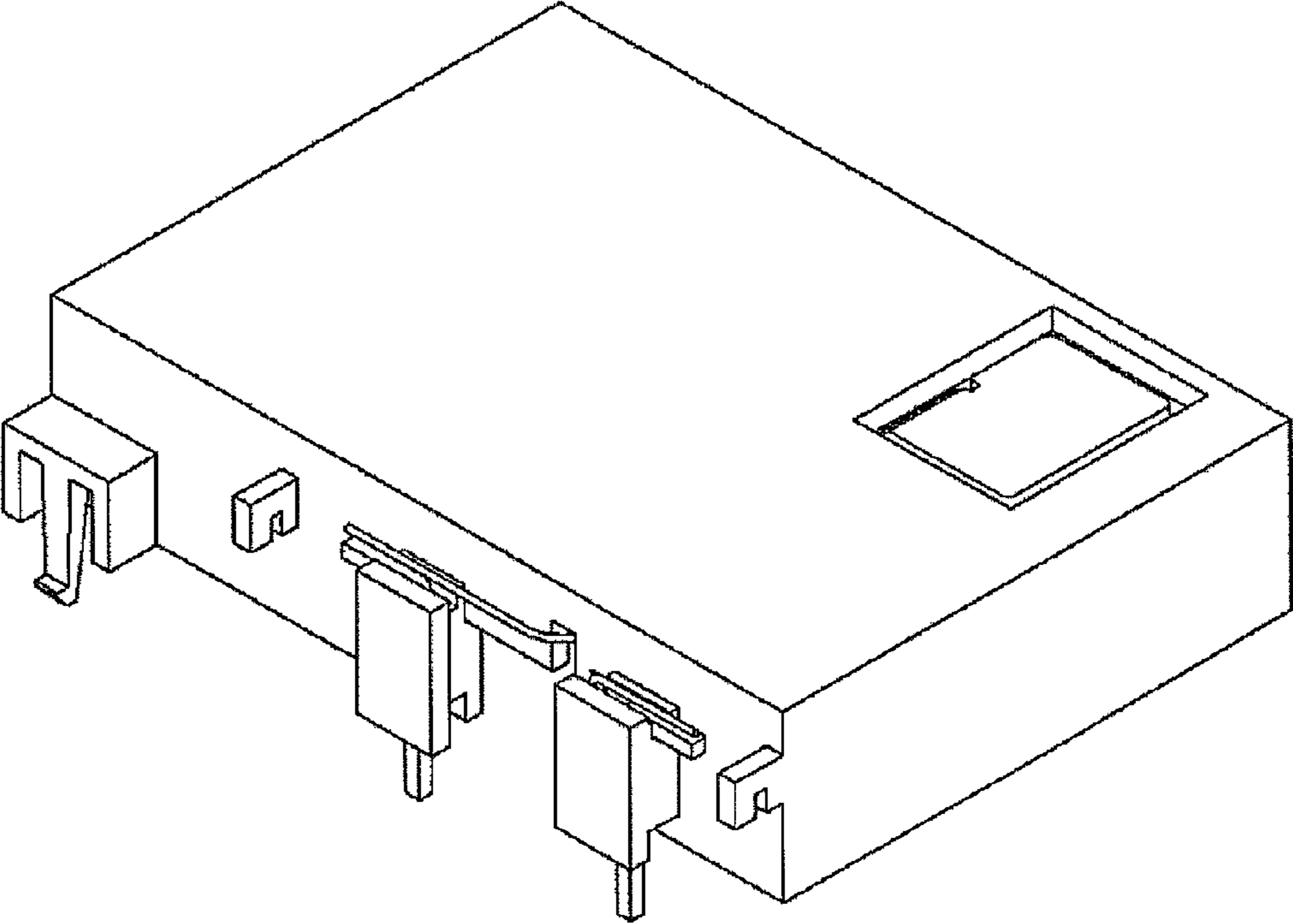


FIG. 8

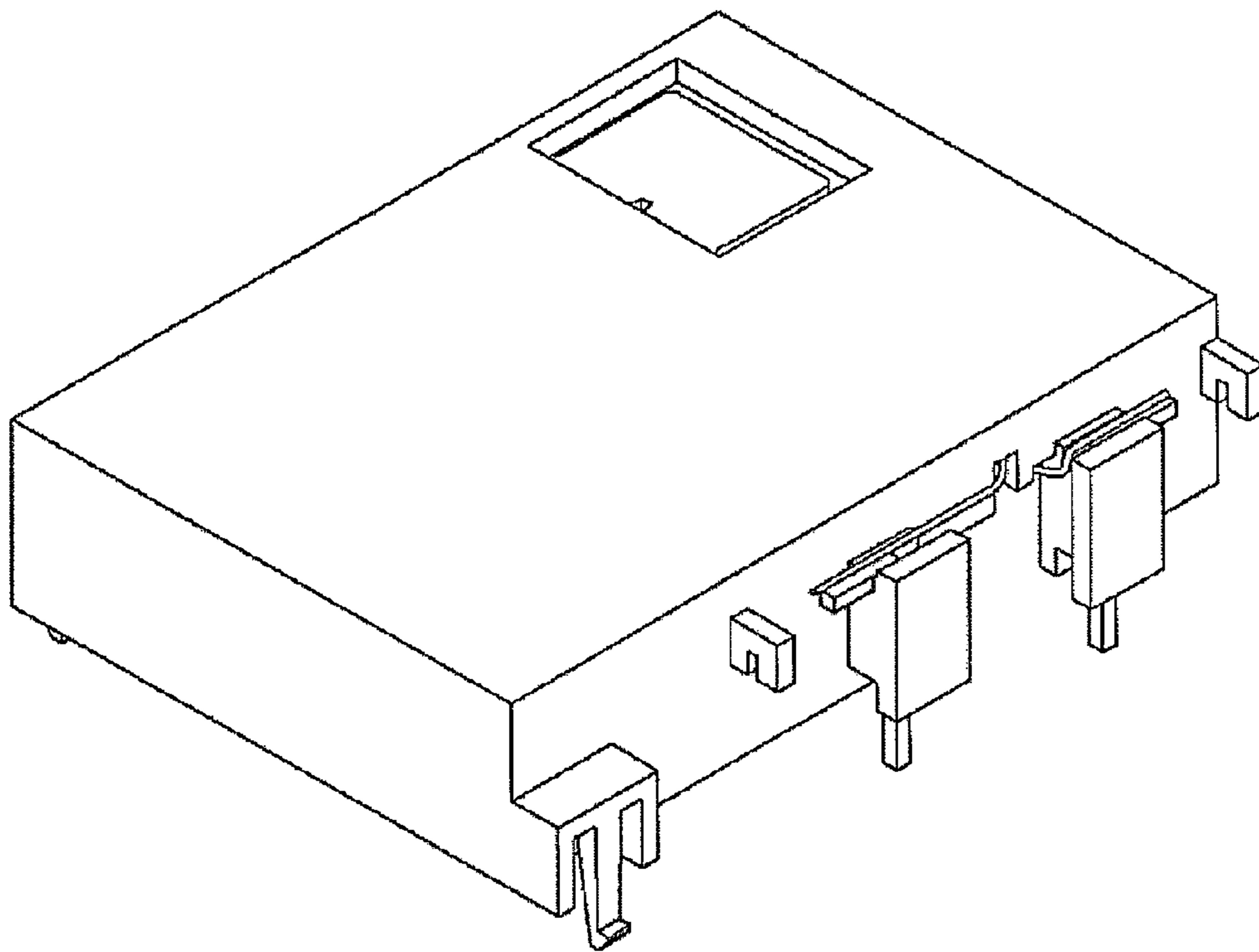


FIG. 9

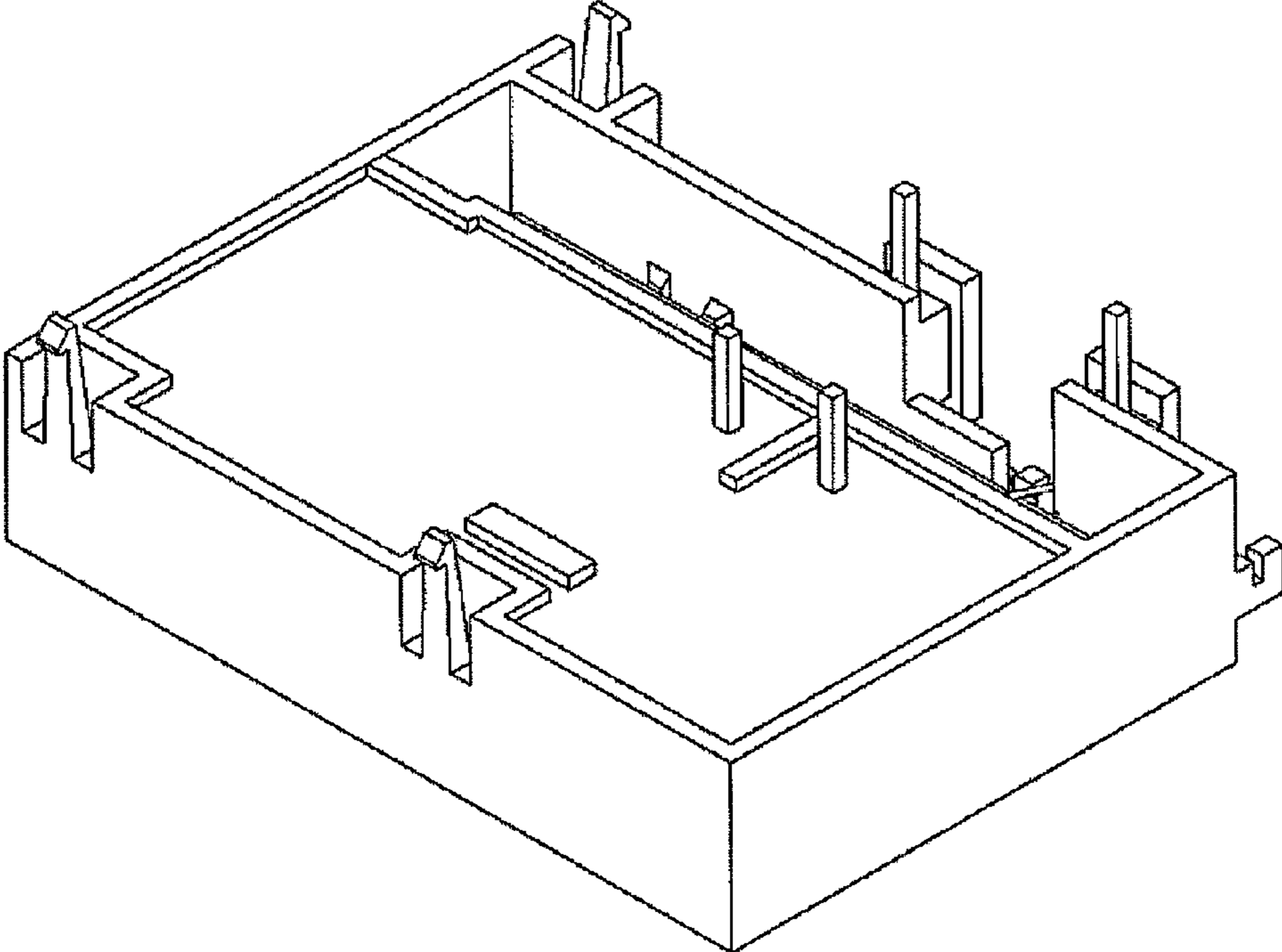


FIG. 10

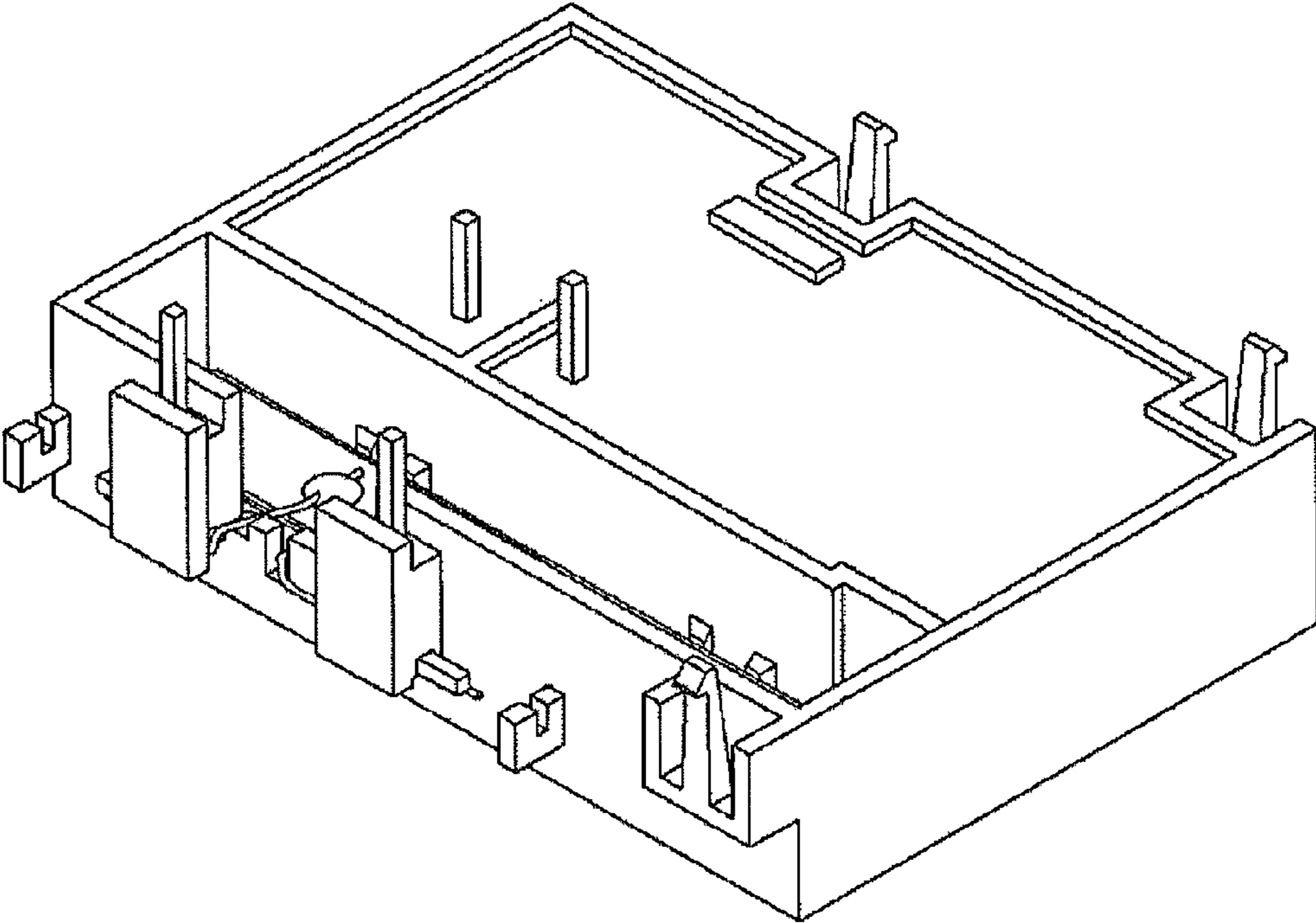


FIG. 11

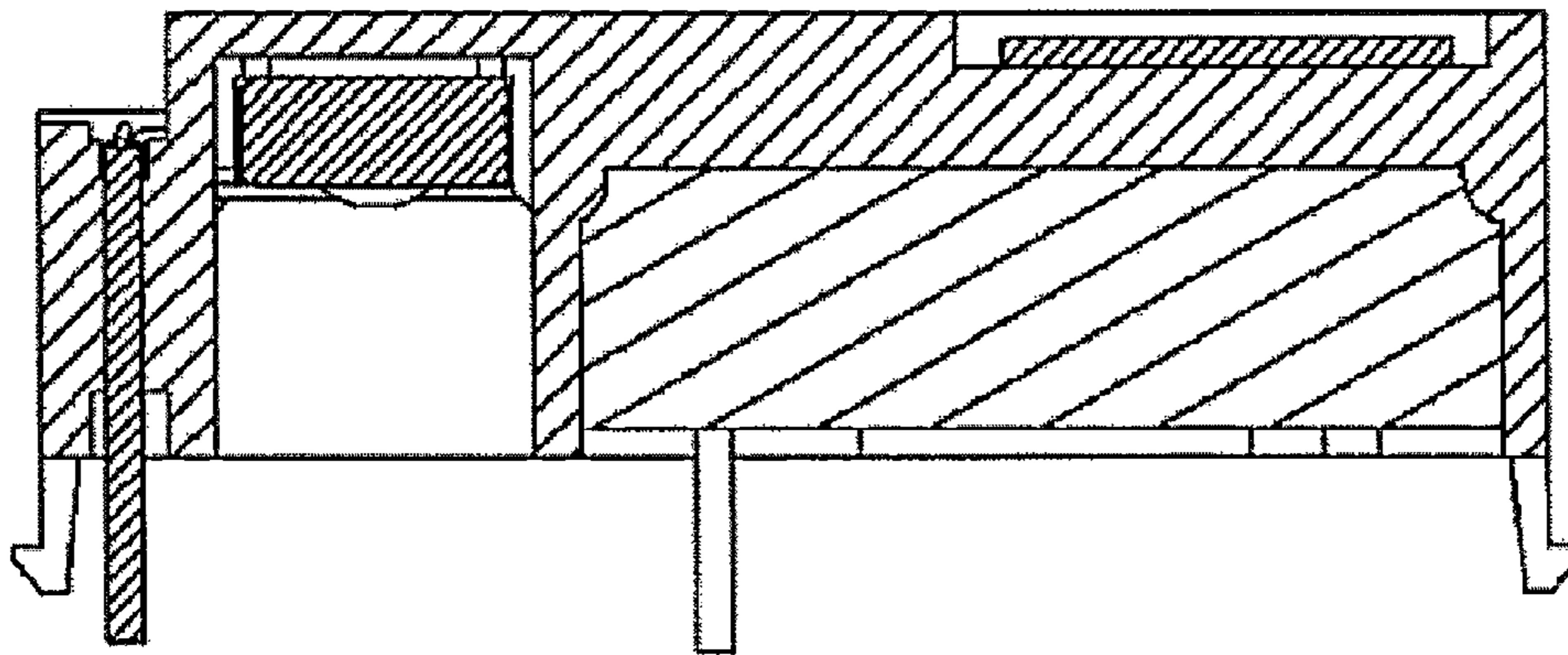


FIG. 12

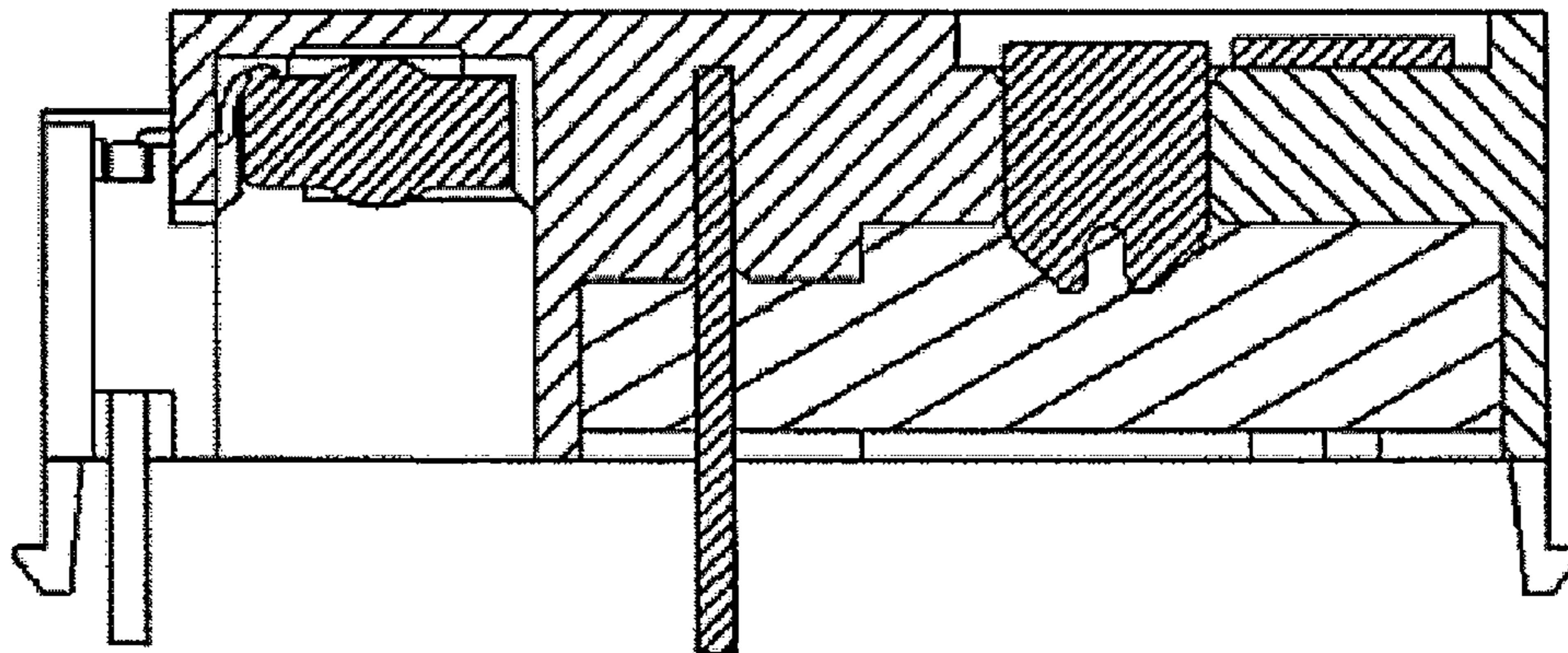


FIG. 13

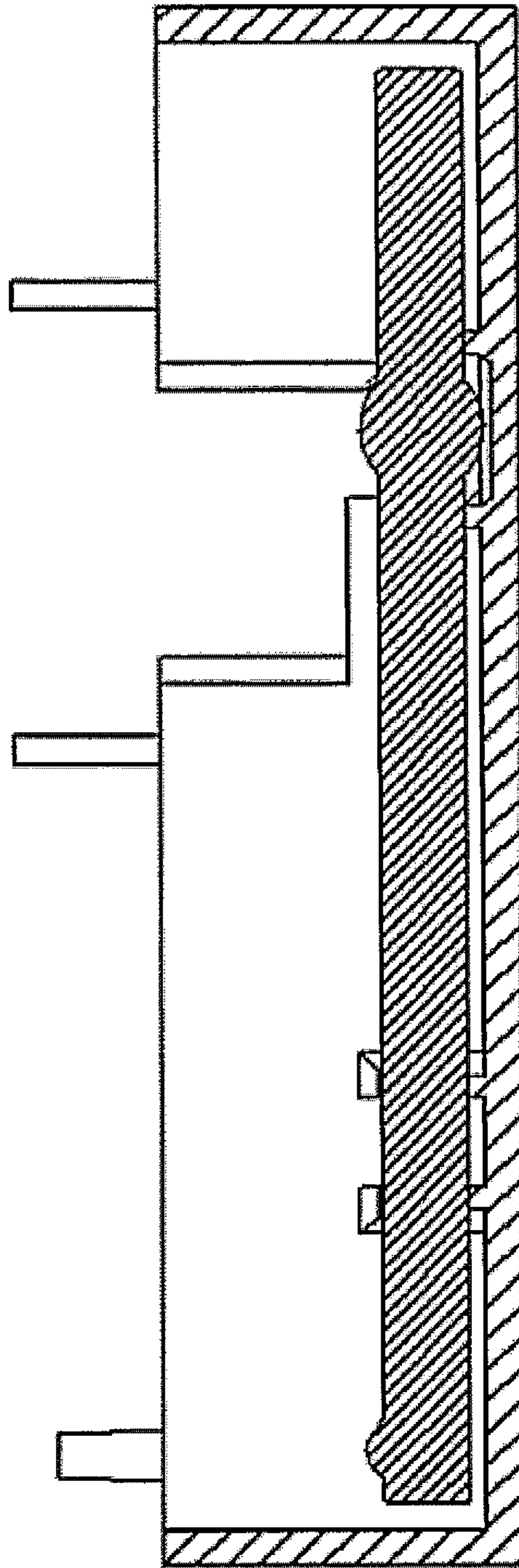


FIG. 14

