



US00D739346S

(12) **United States Design Patent**  
**Hannum**

(10) **Patent No.:** **US D739,346 S**

(45) **Date of Patent:** **\*\* Sep. 22, 2015**

(54) **INVERTER POWER RACK AND POWER SKID**

(71) Applicant: **Bentek Corporation**, San Jose, CA (US)

(72) Inventor: **Robert Joseph Hannum**, Mountain View, CA (US)

(73) Assignee: **BENTEK CORPORATION**, San Jose, CA (US)

(\*\*) Term: **14 Years**

(21) Appl. No.: **29/511,321**

(22) Filed: **Dec. 9, 2014**

(51) **LOC (10) Cl.** ..... **13-02**

(52) **U.S. Cl.**  
USPC ..... **D13/102; D13/110**

(58) **Field of Classification Search**  
USPC ..... 126/580, 581, 611, 621, 622, 623;  
136/200, 243, 244, 245, 251, 256, 291;  
438/66, 72, 80; D13/101, 102, 107,  
D13/110, 112, 118, 122, 184, 199; D15/28,  
D15/33; D34/28, 38; D8/354  
CPC ..... Y02E 10/50; Y02E 10/544; H02S 30/20;  
H01L 31/042; H01F 27/06  
See application file for complete search history.

(56) **References Cited**

**U.S. PATENT DOCUMENTS**

1,252,276	A *	1/1918	McClain	269/68
3,940,771	A *	2/1976	Wild	343/766
4,164,345	A *	8/1979	Arnold et al.	269/69
4,269,173	A *	5/1981	Krueger et al.	126/634
4,452,234	A *	6/1984	Withjack	126/627

D344,834	S *	3/1994	Ries	D34/28
6,046,399	A *	4/2000	Kapner	136/244
D699,666	S *	2/2014	Moyal	D13/102
8,887,454	B2 *	11/2014	Karg et al.	52/173.3
D724,011	S *	3/2015	Keller	D13/102
D724,808	S *	3/2015	Blehm	D34/28
2003/0070705	A1 *	4/2003	Hayden et al.	136/251
2009/0242014	A1 *	10/2009	Leary	136/251
2010/0325797	A1 *	12/2010	Horne	5/611
2012/0174981	A1 *	7/2012	Karg et al.	136/259
2012/0285515	A1 *	11/2012	Sagayama	136/251
2012/0312357	A1 *	12/2012	Sagayama	136/251
2013/0008490	A1 *	1/2013	Rego et al.	136/251
2013/0032208	A1 *	2/2013	Walz et al.	136/259
2013/0098447	A1 *	4/2013	Obinata et al.	136/259
2013/0340807	A1 *	12/2013	Gerwing et al.	136/246
2014/0261641	A1 *	9/2014	Kawakatsu	136/251
2015/0000740	A1 *	1/2015	Mizuo	136/259

\* cited by examiner

*Primary Examiner* — Derrick Holland

*Assistant Examiner* — Jennifer O King

(74) *Attorney, Agent, or Firm* — Sawyer Law Group, P.C.

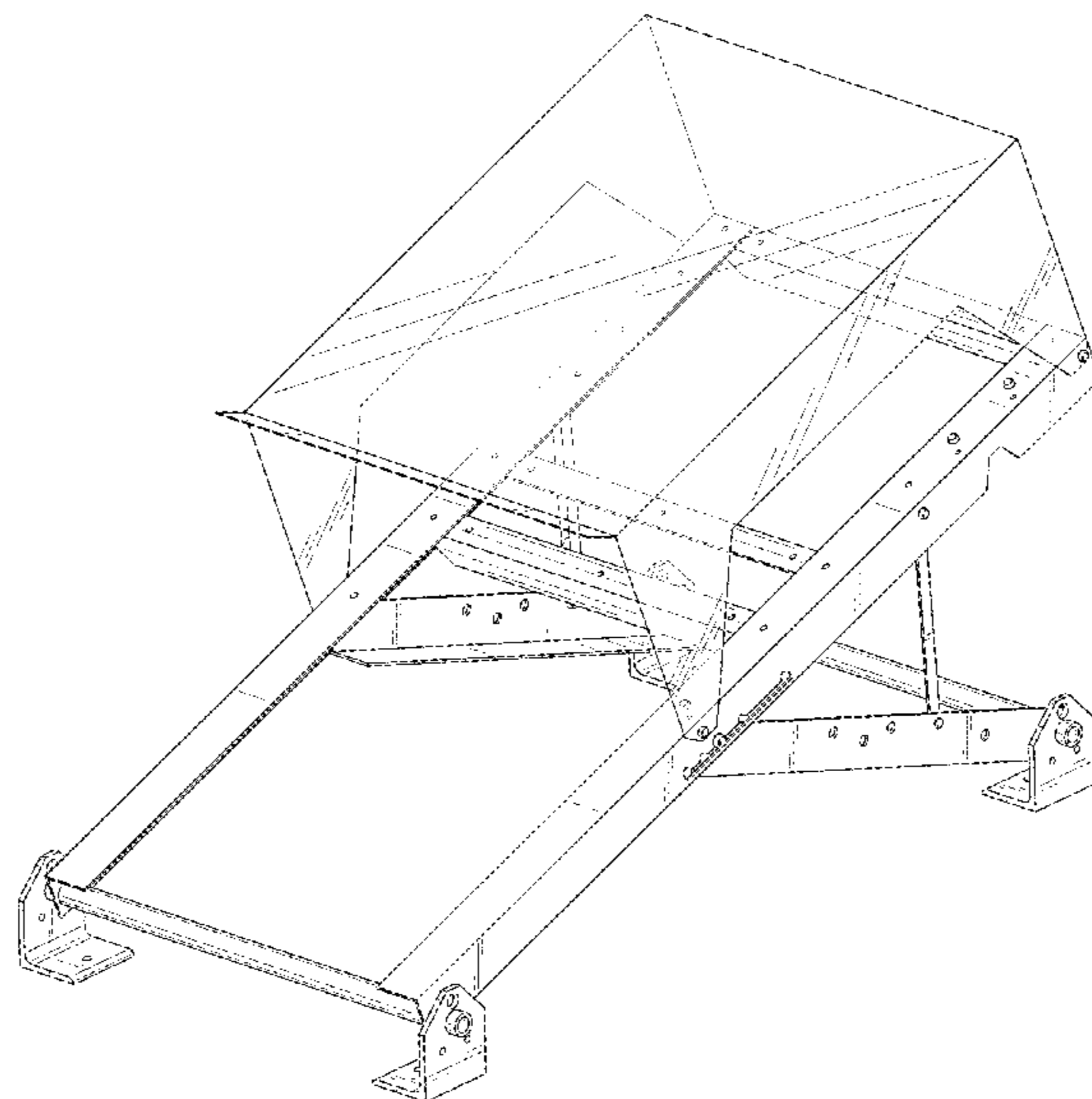
(57) **CLAIM**

The ornamental design for an inverter power rack and power skid, as shown.

**DESCRIPTION**

FIG. 1 is a perspective view of an inverter power rack and power skid;  
FIG. 2 is a front view thereof;  
FIG. 3 is a back view thereof;  
FIG. 4 is a first side view thereof;  
FIG. 5 is a second side view thereof;  
FIG. 6 is a top view thereof; and,  
FIG. 7 is a bottom view thereof.

**1 Claim, 7 Drawing Sheets**



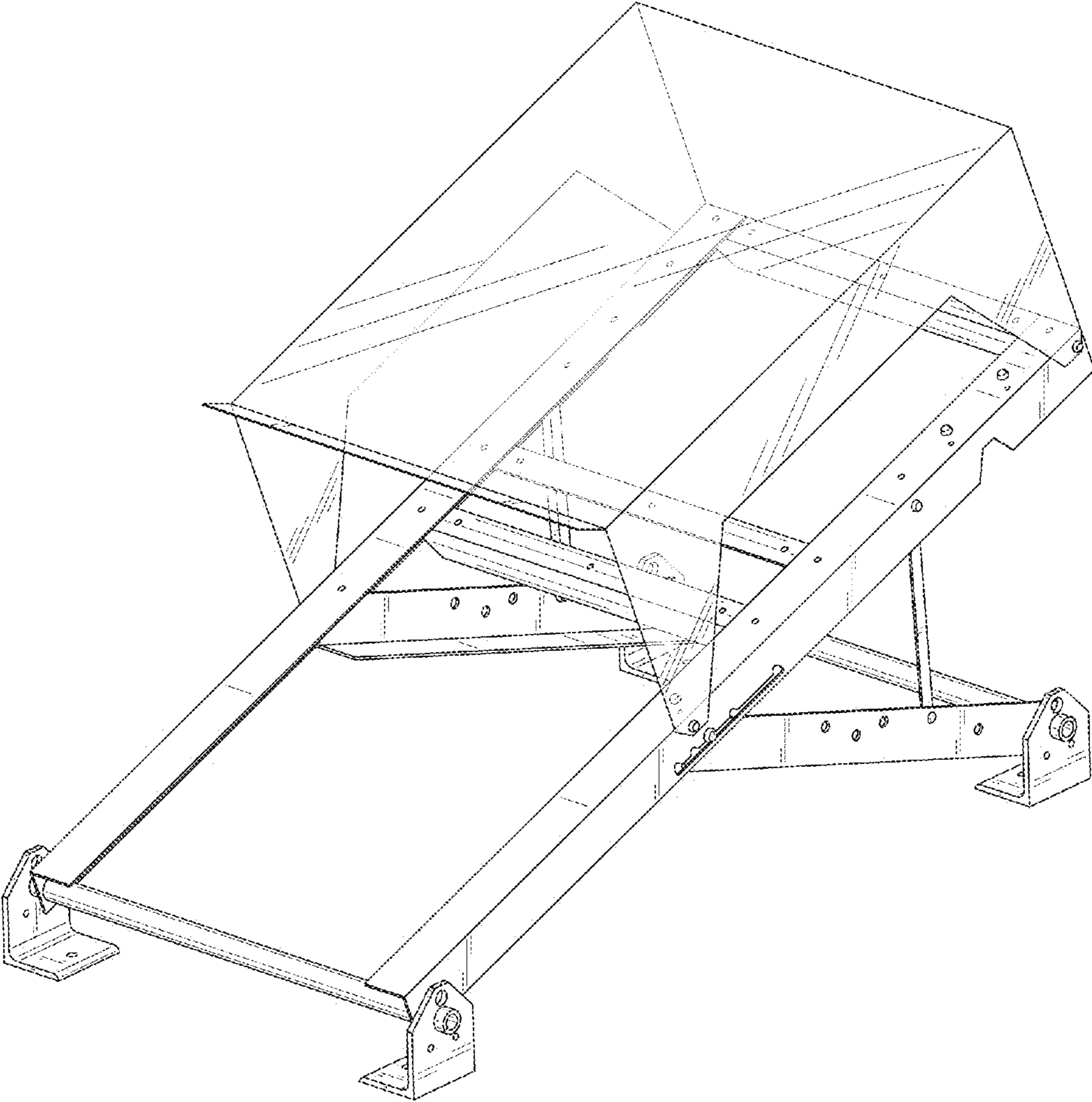


FIG. 1

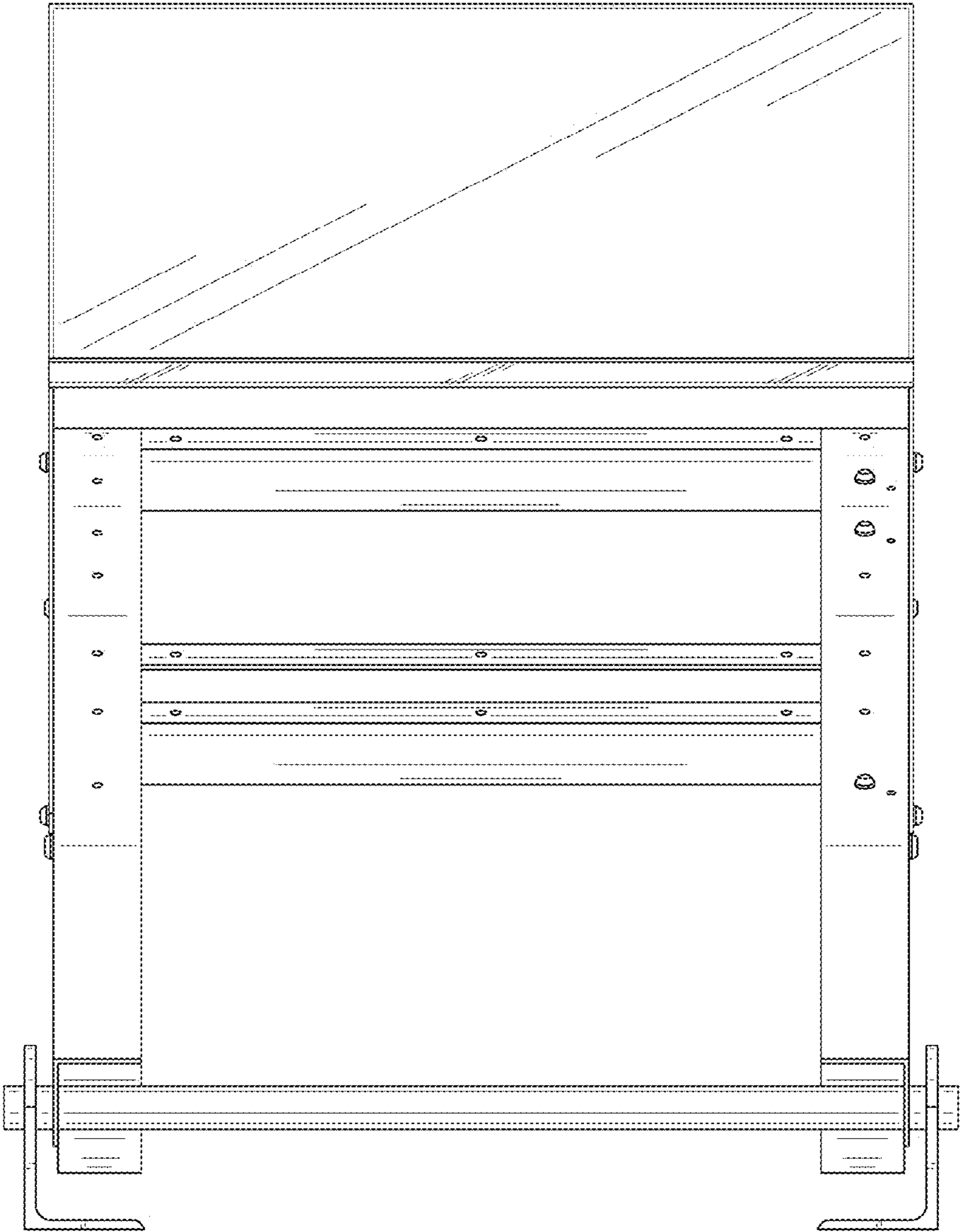


FIG. 2

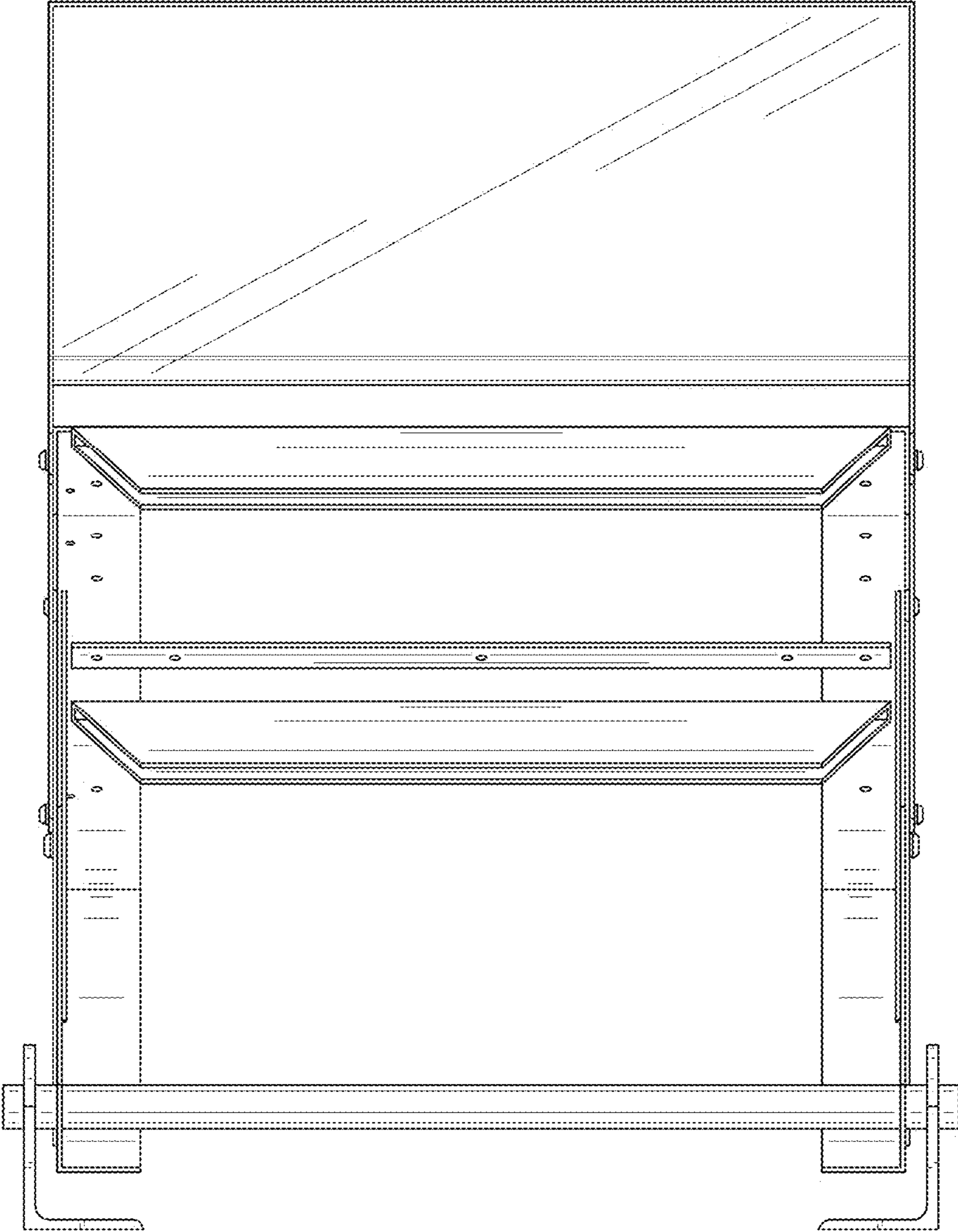


FIG. 3

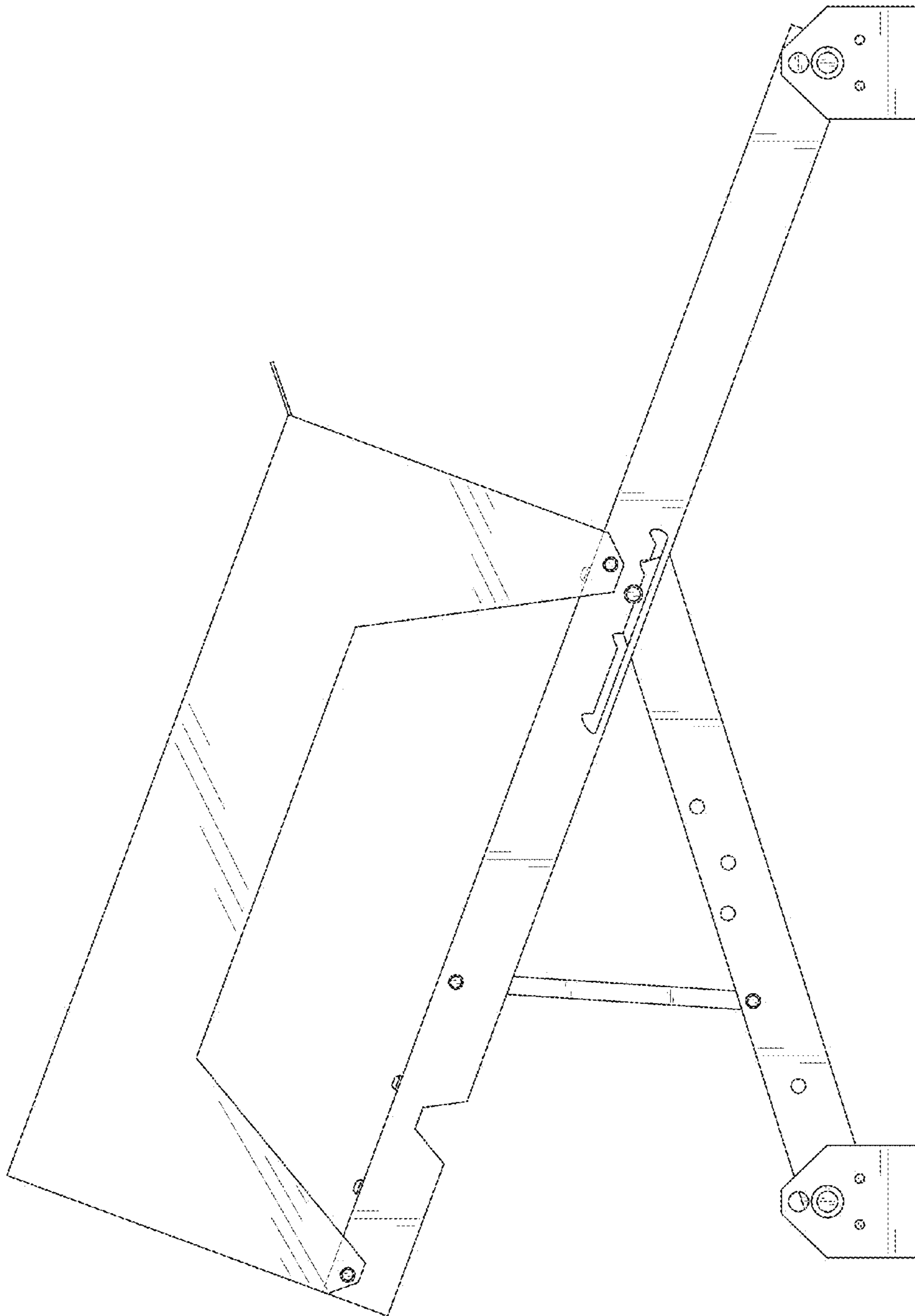


FIG. 4

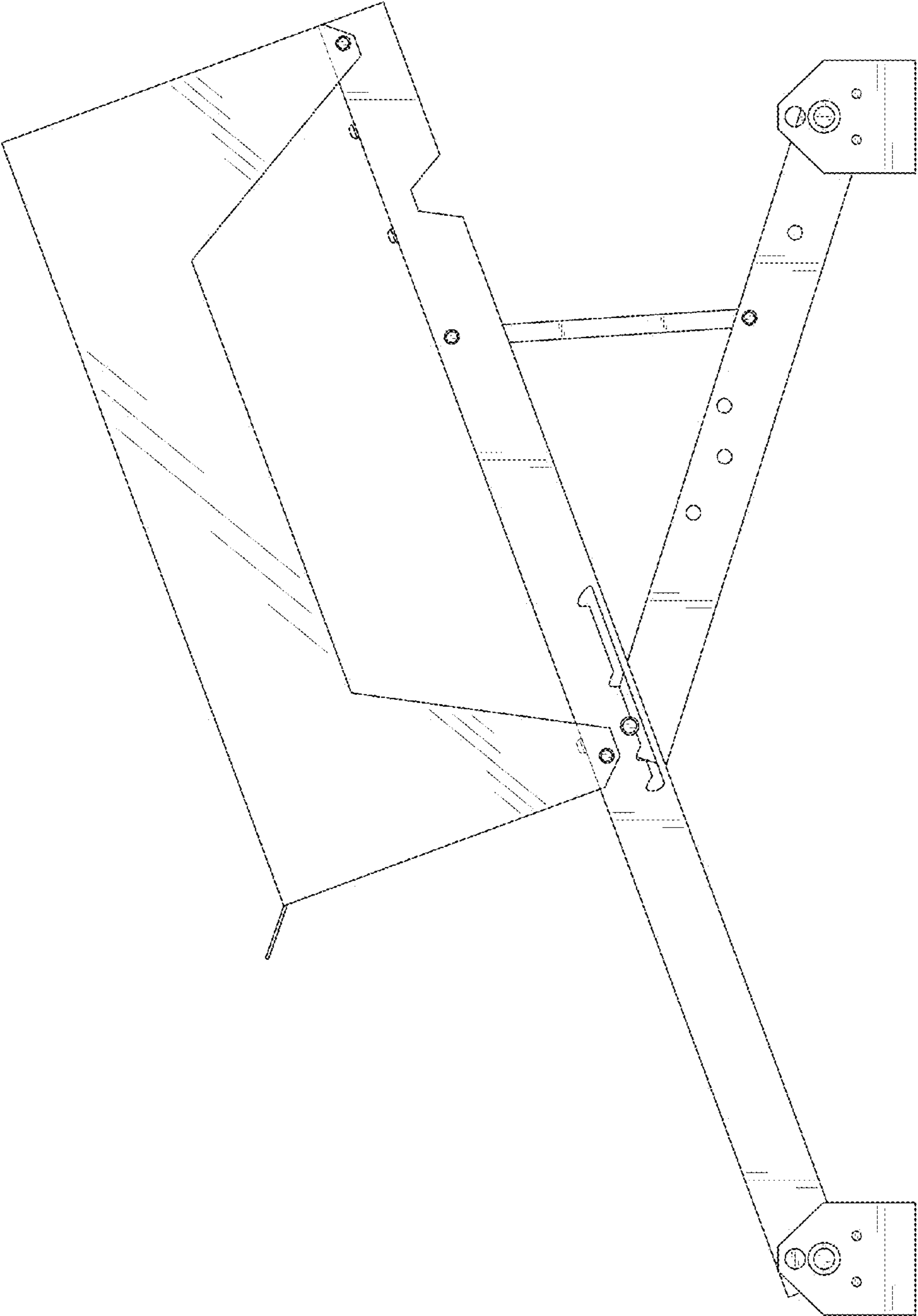


FIG. 5

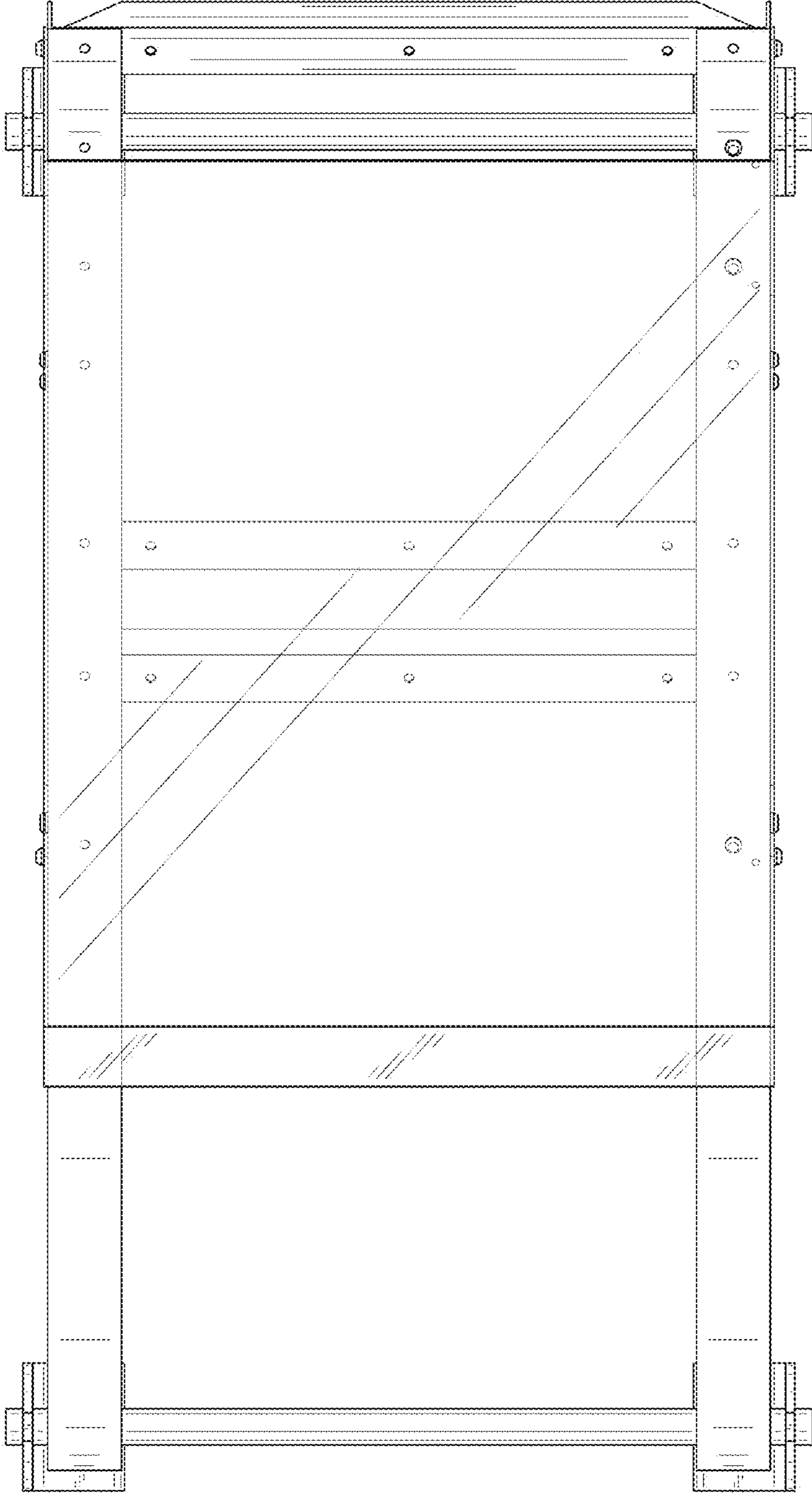


FIG. 6

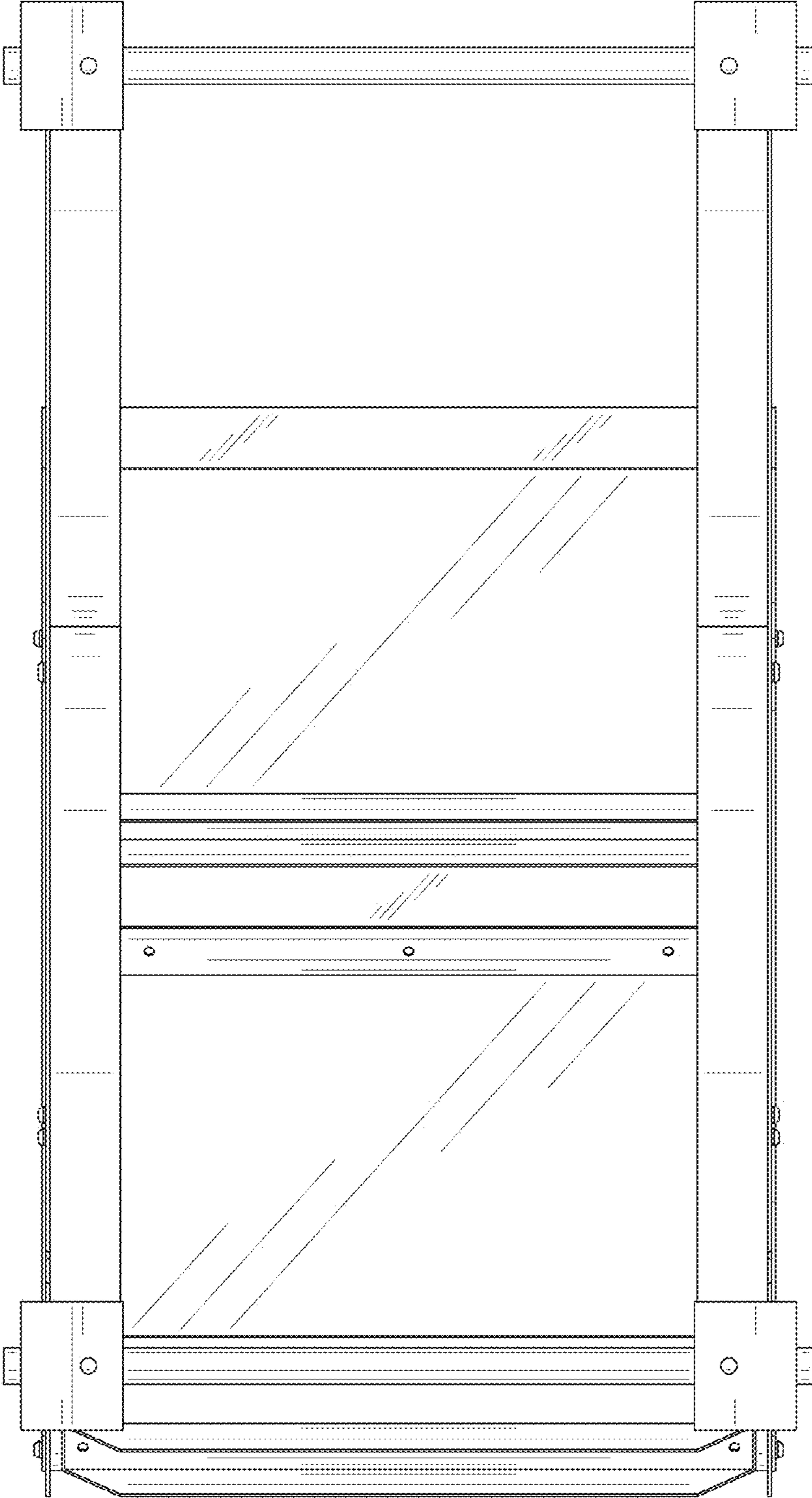


FIG. 7