



US00D739345S

(12) **United States Design Patent**  
**Buller et al.**

(10) **Patent No.:** **US D739,345 S**

(45) **Date of Patent:** **\*\* Sep. 22, 2015**

(54) **PHOTOVOLTAIC DEVICE**

(71) Applicant: **First Solar, Inc.**, Perrysburg, OH (US)

(72) Inventors: **Benjamin Buller**, Sylvania, OH (US);  
**Joshua Conley**, Sylvania, OH (US);  
**Richard S. Malik, Jr.**, Rossford, OH (US);  
**Brian Maus**, Milan, MI (US);  
**Thomas Truman**, Toledo, OH (US)

(73) Assignee: **First Solar, Inc.**, Perrysburg, OH (US)

(\*\*) Term: **14 Years**

(21) Appl. No.: **29/448,533**

(22) Filed: **Mar. 13, 2013**

(51) **LOC (10) Cl.** ..... **13-02**

(52) **U.S. Cl.**  
USPC ..... **D13/102**

(58) **Field of Classification Search**  
USPC ..... D13/102, 101, 103, 118, 120, 121, 184,  
D13/199; 126/569, 580, 581, 611, 621, 622,  
126/623; 136/200, 243, 244, 246-265;  
438/66, 72, 80; 52/173.3

CPC ... H01L 31/042; H01L 31/048; H01L 31/049;  
H01L 31/0203; H01L 31/02008; H01L  
31/0508; H01L 31/02168; F24J 2/05; F24J  
2/0015; F24J 2/0455; F24J 2/42; F24J 2/46;  
F24J 2/52

See application file for complete search history.

(56) **References Cited**

**U.S. PATENT DOCUMENTS**

4,056,405	A	11/1977	Varadi
4,186,720	A	2/1980	Schmauder, Sr. et al.
D258,232	S	2/1981	Weis
4,849,029	A	7/1989	Delahoy
5,268,037	A	12/1993	Glatfelter

D353,129	S	12/1994	Ricaud et al.	
5,453,134	A	9/1995	Arai et al.	
5,593,901	A	1/1997	Oswald et al.	
D380,191	S *	6/1997	White	D13/102
D389,454	S	1/1998	Mori	
5,990,413	A *	11/1999	Ortabasi	136/244
D442,139	S	5/2001	Sasaoka	
D442,549	S	5/2001	Sasaoka	
6,360,497	B1 *	3/2002	Nakazima et al.	52/173.3
6,465,724	B1 *	10/2002	Garvison et al.	136/244
7,095,050	B2	8/2006	Wanlass et al.	
D543,501	S	5/2007	Yamashita et al.	
7,326,587	B2	2/2008	Park et al.	
D644,601	S *	9/2011	Adriani	D13/102
D644,986	S	9/2011	Ross et al.	
D644,987	S	9/2011	Casler et al.	
2008/0142070	A1	6/2008	Lechner et al.	
2010/0313933	A1 *	12/2010	Xu	136/246

\* cited by examiner

*Primary Examiner* — Derrick Holland

(74) *Attorney, Agent, or Firm* — Fraser Clemens Martin & Miller LLC; Michael E. Dockins

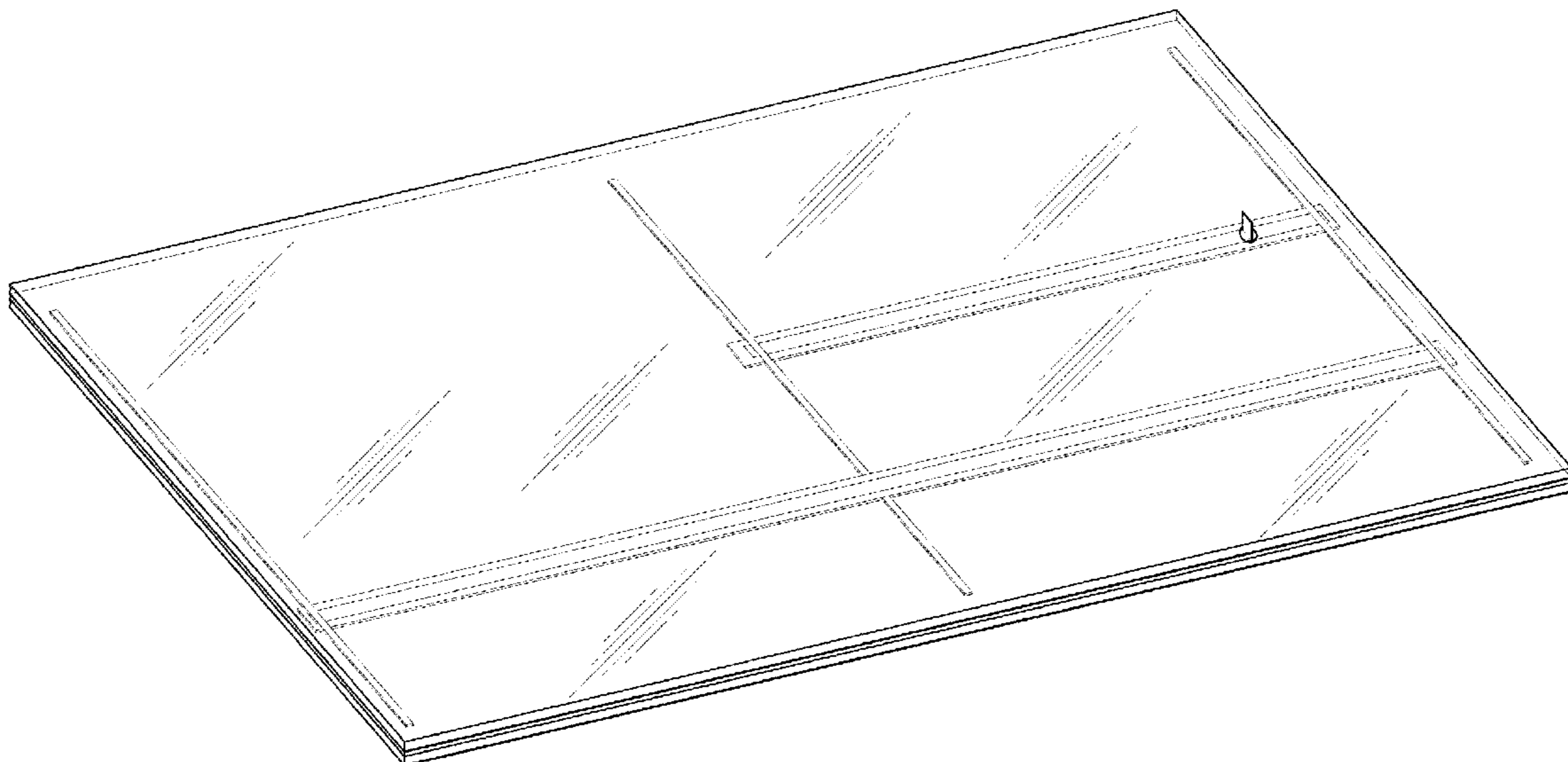
(57) **CLAIM**

The ornamental design for a photovoltaic device, as shown and described.

**DESCRIPTION**

FIG. 1 is a bottom perspective view of a first embodiment of a photovoltaic device showing our new design; FIG. 2 is a bottom plan view thereof; FIG. 3 is a top plan view thereof; FIG. 4 is a front elevational view thereof; FIG. 5 is a back elevational view thereof; FIG. 6 is a left side elevational view thereof; FIG. 7 is a right side elevational view thereof; and, FIG. 8 is a bottom plan view of a second embodiment of a photovoltaic device showing our new design.

**1 Claim, 4 Drawing Sheets**



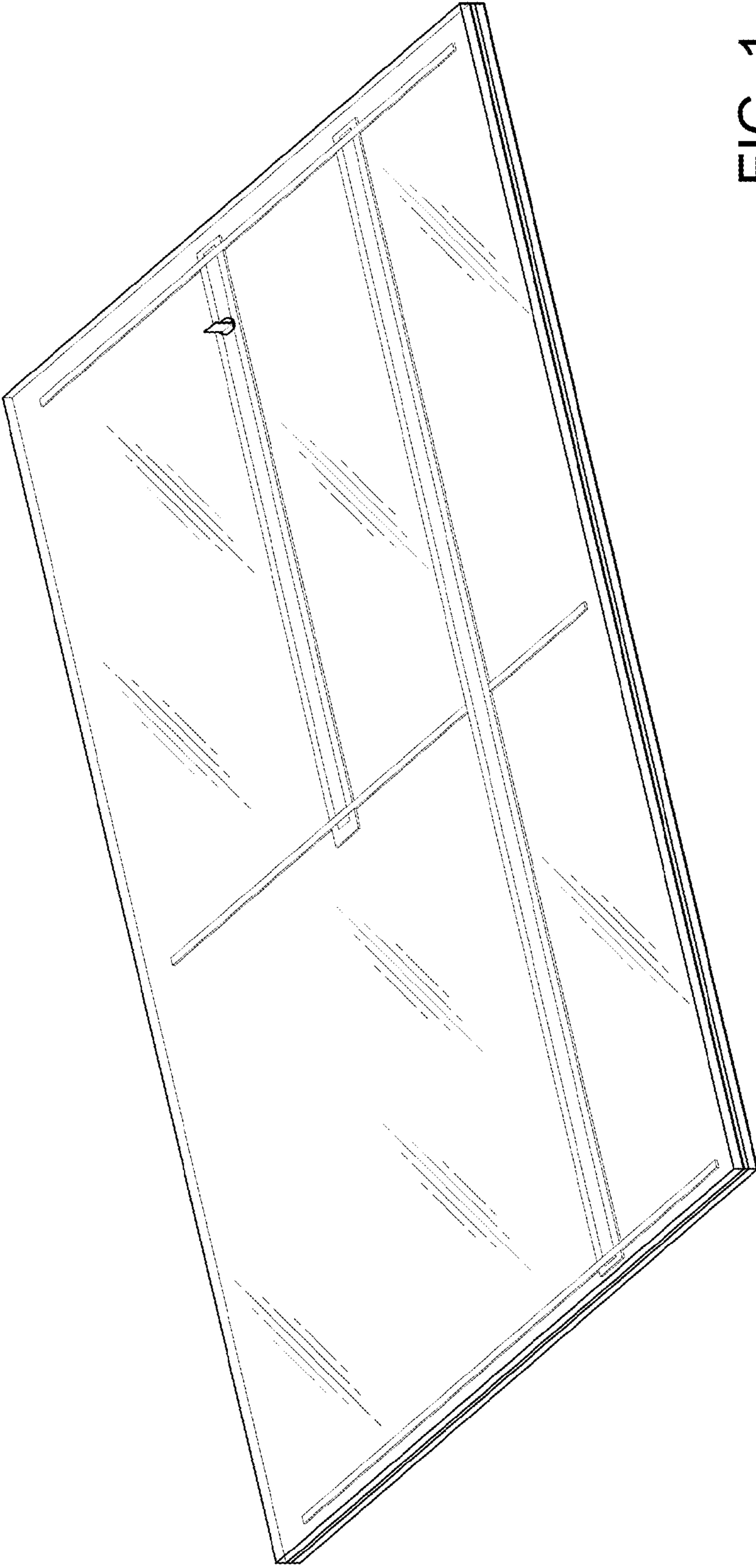


FIG. 1

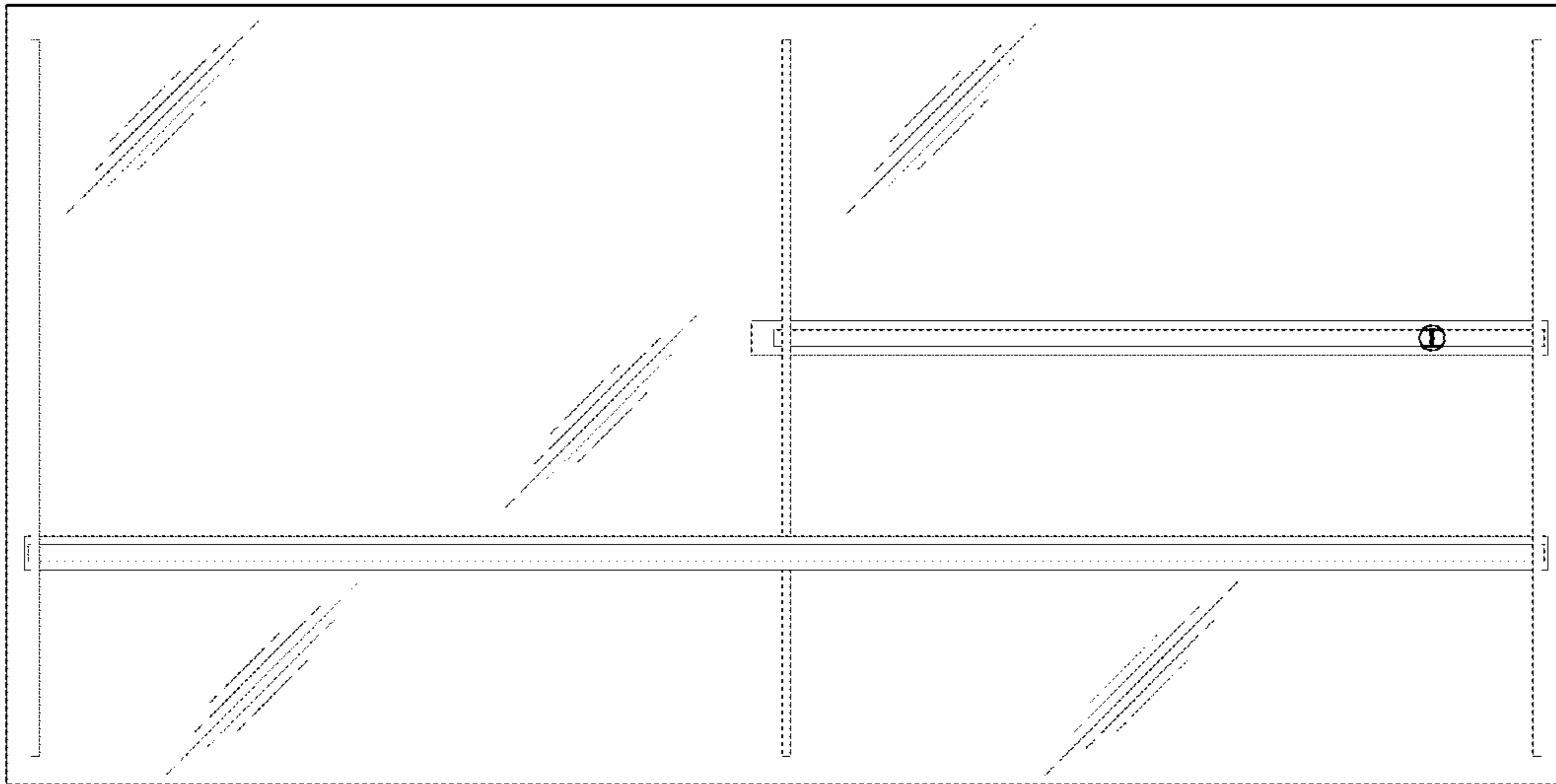


FIG. 2

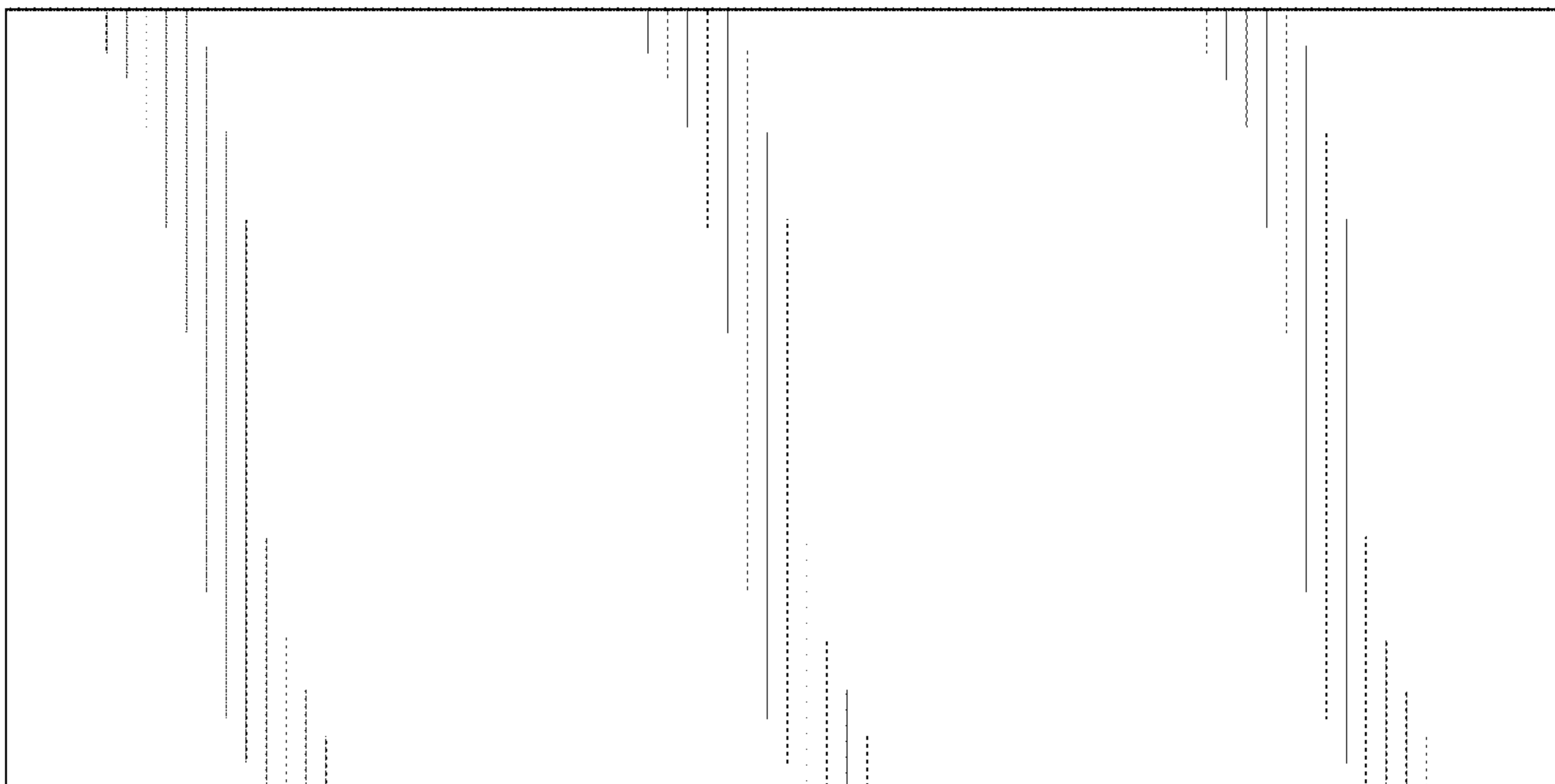


FIG. 3

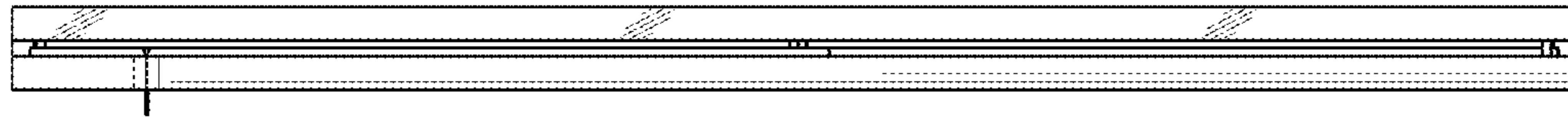


FIG. 4



FIG. 5

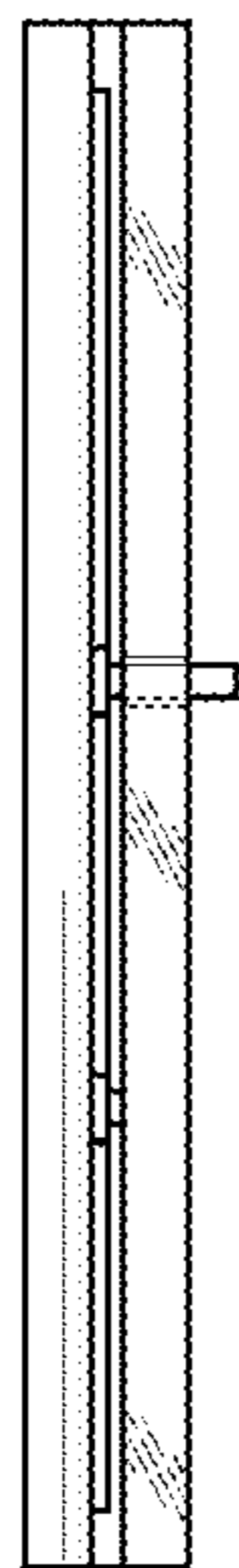


FIG. 6

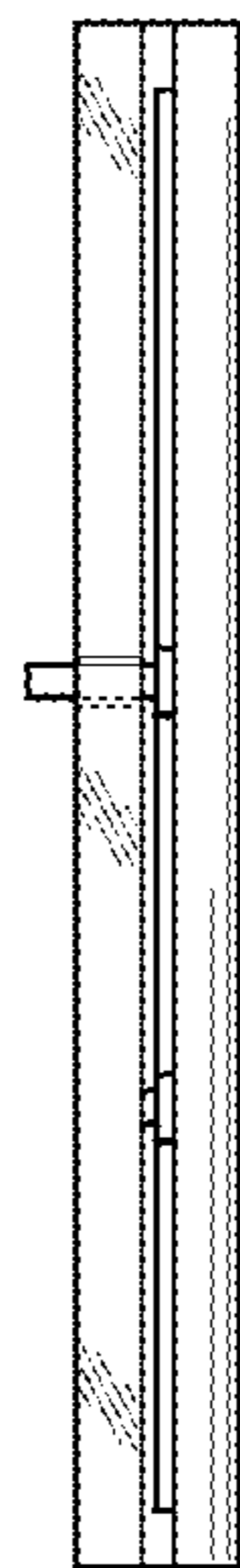


FIG. 7

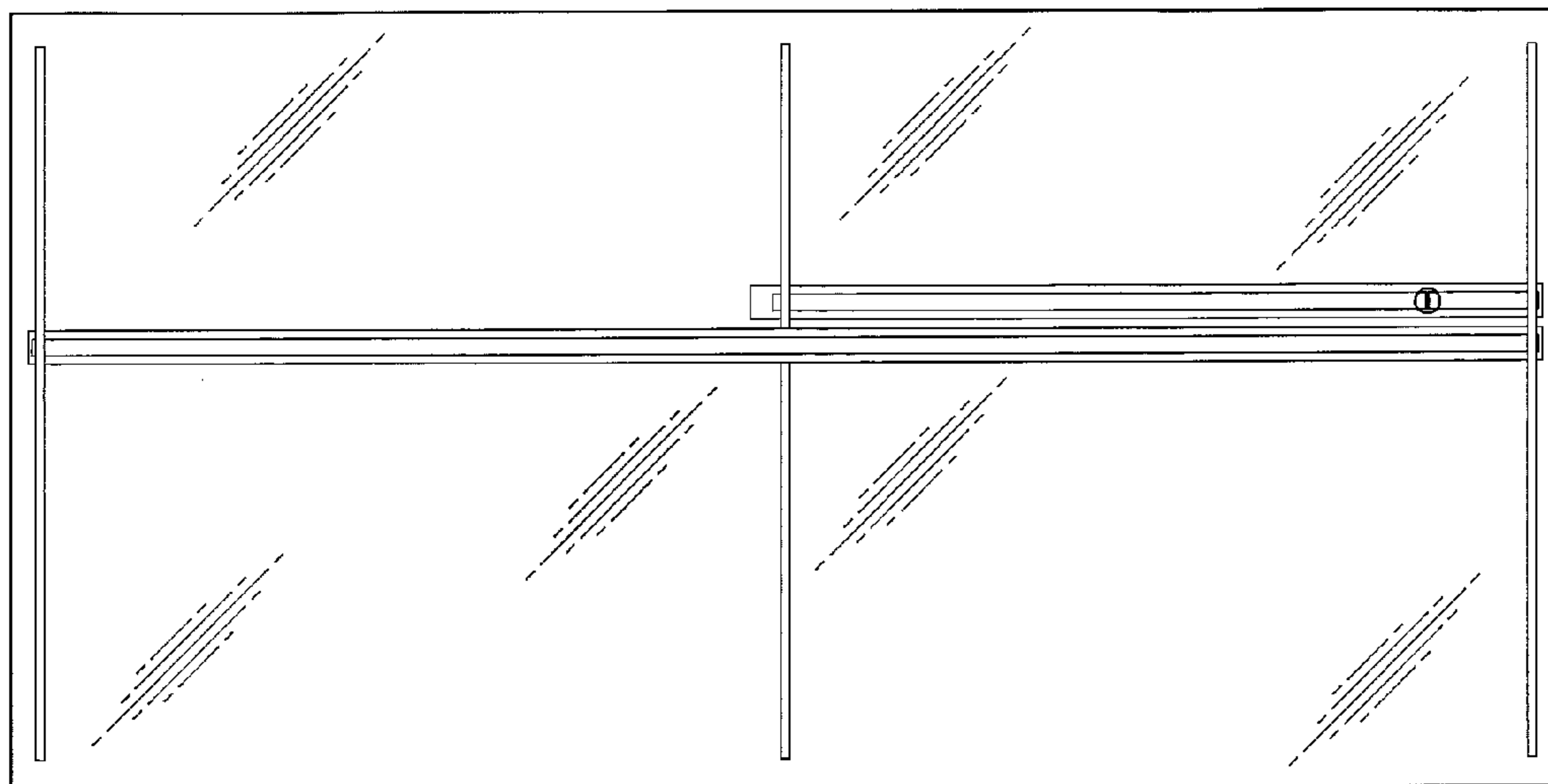


FIG. 8