



US00D739339S

(12) **United States Design Patent**  
**Nomura et al.**

(10) **Patent No.:** **US D739,339 S**  
(45) **Date of Patent:** **\*\* Sep. 22, 2015**

- (54) **TIRE TREAD**
- (71) Applicants: **Masayoshi Nomura**, Tokyo (JP); **Julien Besset**, Clermont-Ferrand-Cedex (FR); **Mathieu Vandaele**, Clermont-Ferrand-Cedex (FR)
- (72) Inventors: **Masayoshi Nomura**, Tokyo (JP); **Julien Besset**, Clermont-Ferrand-Cedex (FR); **Mathieu Vandaele**, Clermont-Ferrand-Cedex (FR)
- (73) Assignees: **CAMPAGNIE GENERALE DES ETABLISSEMENTS MICHELIN** (FR); **MICHELIN RECHERCHE ET TECHNIQUE S.A.** (CH)
- (\*\*) Term: **14 Years**
- (21) Appl. No.: **29/513,551**
- (22) Filed: **Jan. 2, 2015**

D403,628 S	1/1999	Muhlhoff	
D500,472 S	1/2005	Campana	
D515,020 S	2/2006	Fukunaga	
D559,773 S	1/2008	Campana	
D564,440 S	3/2008	Larregain	
D599,728 S	* 9/2009	Froger et al. ....	D12/521
D606,924 S	* 12/2009	Bervas et al. ....	D12/521
D611,890 S	3/2010	Lessmann	
D628,952 S	* 12/2010	Villamizar et al. ....	D12/521
D645,392 S	9/2011	Hutz	
D647,459 S	10/2011	Bervas	
D656,889 S	4/2012	Grolier	
D662,034 S	6/2012	Vandaele	
D664,913 S	* 8/2012	Le et al. ....	D12/521
D666,551 S	* 9/2012	Schmidt-Zum Berge et al. ....	D12/521
D678,176 S	3/2013	Park	
D684,520 S	6/2013	Fu	
D686,138 S	7/2013	Chartier	
D686,139 S	7/2013	Chartier	
D694,173 S	11/2013	Takada	
D694,702 S	* 12/2013	Leconte et al. ....	D12/521
D707,619 S	* 6/2014	Fu	D12/521
D708,564 S	* 7/2014	Wang	D12/521
D709,434 S	7/2014	Kato	

(Continued)

- (30) **Foreign Application Priority Data**  
Jul. 3, 2014 (FR) ..... 2014-2897
- (51) **LOC (10) Cl.** ..... **12-15**
- (52) **U.S. Cl.**  
USPC ..... **D12/521**
- (58) **Field of Classification Search**  
USPC ..... D12/505-532  
CPC ..... B60C 11/0304; B60C 11/0302; B60C 11/0306; B60C 11/0309; B60C 11/0318; B60C 11/0311; B60C 11/042; B60C 11/13; B60C 11/00; B60C 11/11; B60C 11/12  
See application file for complete search history.

- (56) **References Cited**  
U.S. PATENT DOCUMENTS

D313,208 S	12/1990	Cottrell
D336,267 S	6/1993	Bonvini

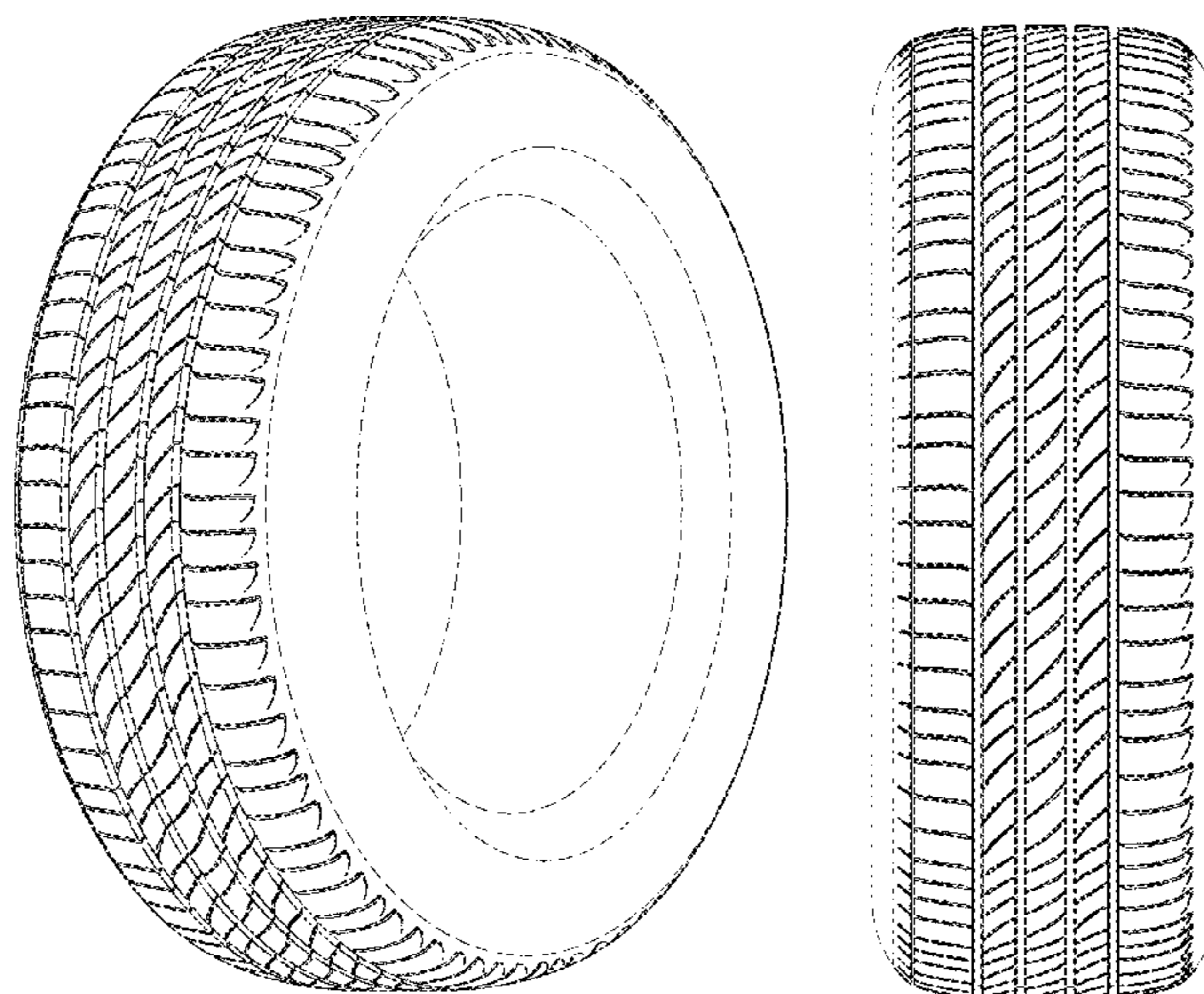
*Primary Examiner* — Stacia Cadmus  
(74) *Attorney, Agent, or Firm* — Dickinson Wright PLLC

(57) **CLAIM**  
The ornamental design for a tire tread, as shown and described.

**DESCRIPTION**

FIG. 1 is a perspective view of the tire tread of our design; FIG. 2 is a front view of the tire tread of our design; FIG. 3 is a rear view of the tire tread of our design; FIG. 4 is a side elevational view of the tire tread of our design; and, FIG. 5 is a side elevational view of the tire tread of our design, taken from the opposite side shown in FIG. 4. In the drawings, the broken lines depict environmental subject matter that forms no part of the claimed design.

**1 Claim, 5 Drawing Sheets**



**US D739,339 S**

Page 2

---

(56)

**References Cited**

U.S. PATENT DOCUMENTS

D713,326 S     9/2014   Fontaine

D713,782 S     9/2014   Krier  
D720,282 S   \* 12/2014   Kim et al. .... D12/521  
D722,947 S   \* 2/2015   Nemoto et al. .... D12/528

\* cited by examiner

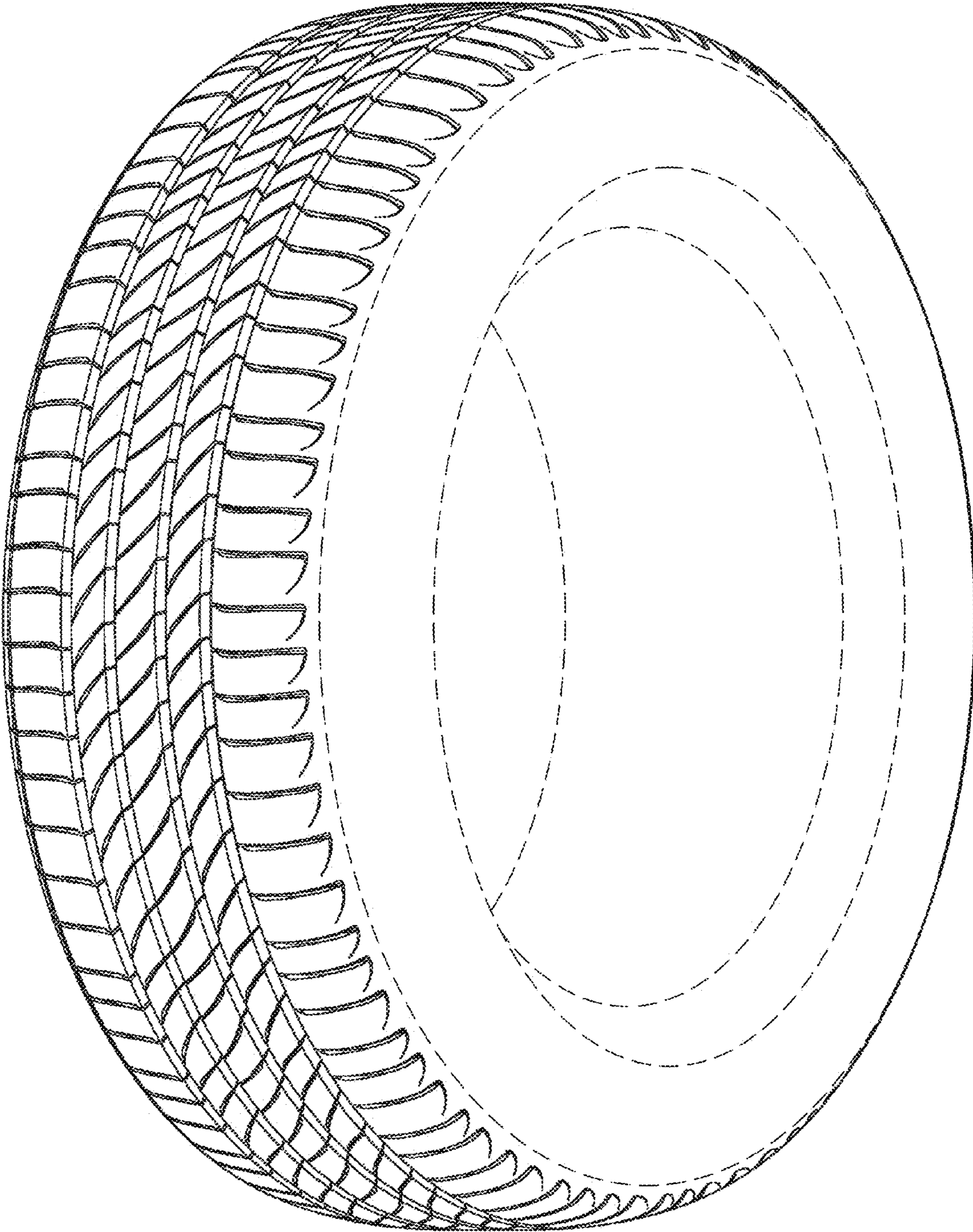
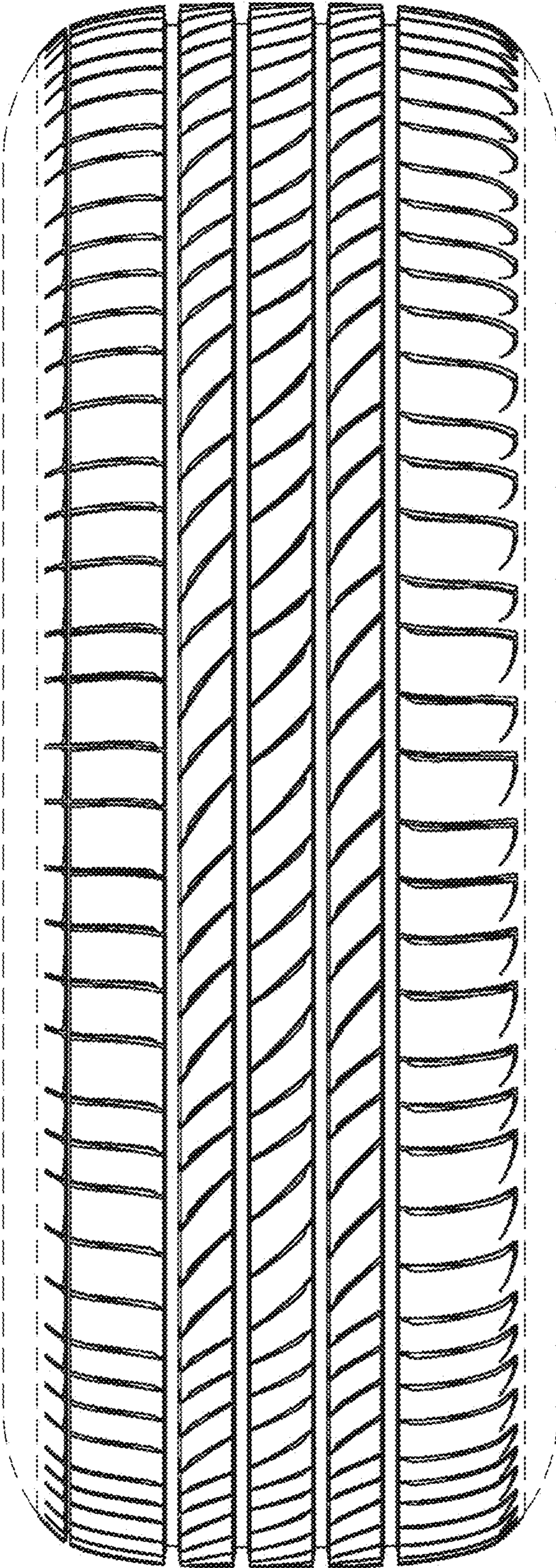
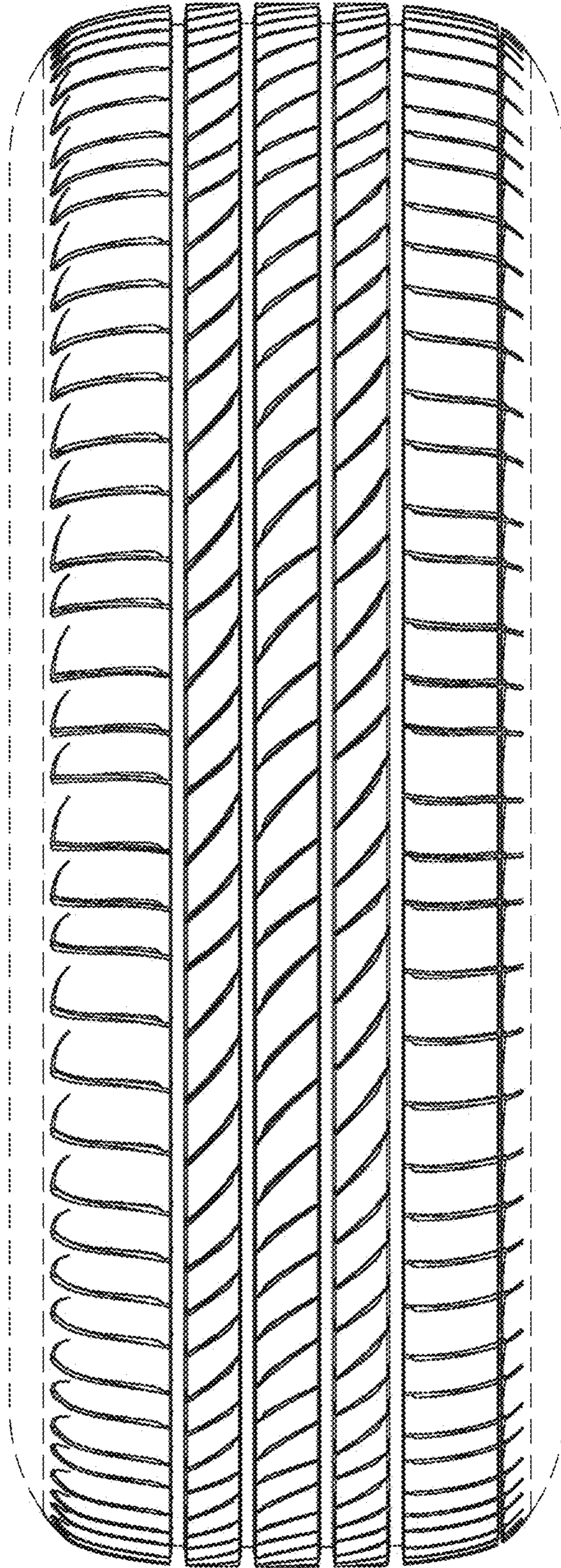


FIG. 1



**FIG. 2**



**FIG. 3**

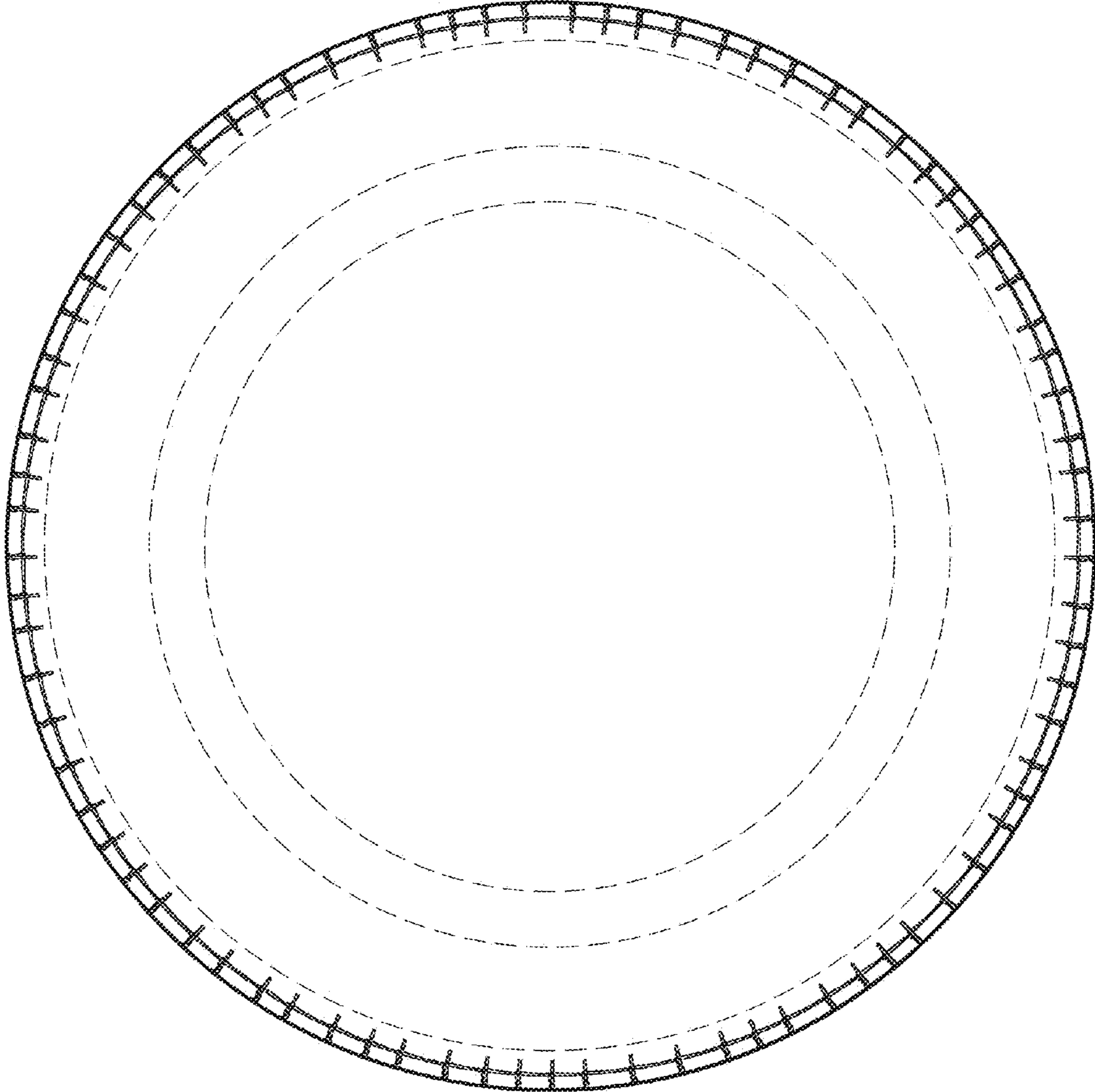
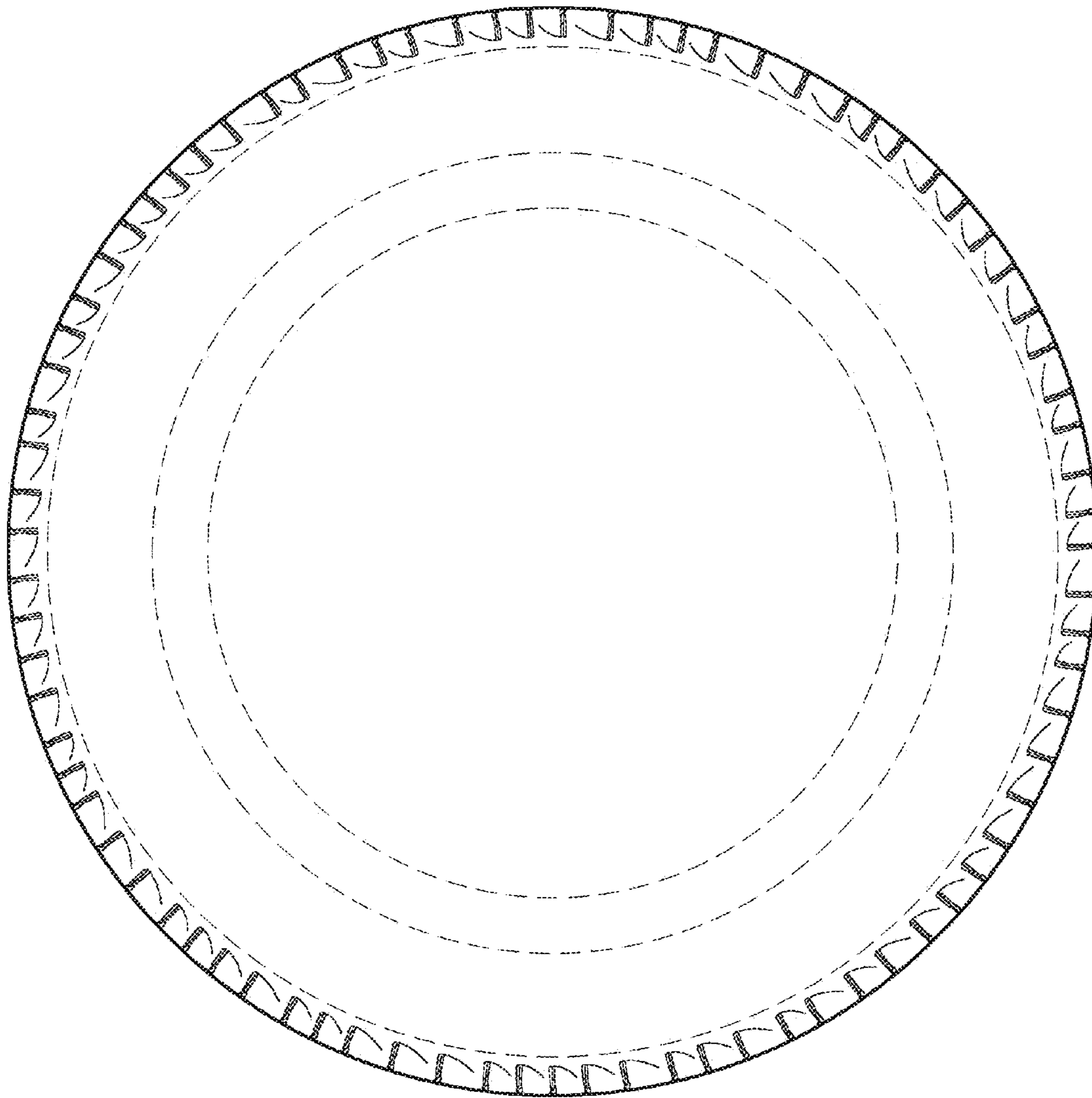


FIG. 4



**FIG. 5**