



US00D739338S

(12) **United States Design Patent**
Currier

(10) **Patent No.:** **US D739,338 S**

(45) **Date of Patent:** **** Sep. 22, 2015**

(54) **ULTRA DRIVER CUP**

(71) Applicant: **Jason A. Currier**, Portland, ME (US)

(72) Inventor: **Jason A. Currier**, Portland, ME (US)

(73) Assignee: **TALUS CORP**, Portland, ME (US)

(**) Term: **14 Years**

(21) Appl. No.: **29/488,668**

(22) Filed: **Apr. 22, 2014**

(51) **LOC (10) Cl.** **12-16**

(52) **U.S. Cl.**
USPC **D12/425**

(58) **Field of Classification Search**
USPC D12/425, 400, 406, 415-420, 424, 426
See application file for complete search history.

(56) **References Cited**

U.S. PATENT DOCUMENTS

D380,727	S	*	7/1997	Gilstrap	D12/425
5,678,741	A	*	10/1997	Schieber	224/275
D415,995	S	*	11/1999	Kanehl, Jr.	D12/425
D426,512	S	*	6/2000	Ciuba	D12/425
D456,761	S	*	5/2002	Hoy	D12/419
6,386,412	B1	*	5/2002	Konechne	224/543
6,422,440	B1	*	7/2002	Stone	224/275
D471,856	S	*	3/2003	Chiang	D12/416

D491,880	S	*	6/2004	Guidry	D12/425
D567,543	S	*	4/2008	McFaddin	D6/682.2
D611,401	S	*	3/2010	Saint-Jalmes et al.	D12/425
D653,605	S	*	2/2012	Stroud et al.	D12/425

* cited by examiner

Primary Examiner — Katrina A Betton

(57) **CLAIM**

The ornamental design for an ultra driver cup, as shown and described.

DESCRIPTION

FIG. 1 is a left side view of the ultra driver cup according to our new design.

FIG. 2 is a front view of the ultra driver cup as shown in FIG. 1.

FIG. 3 is a right side view of the ultra driver cup as shown in FIGS. 1-2.

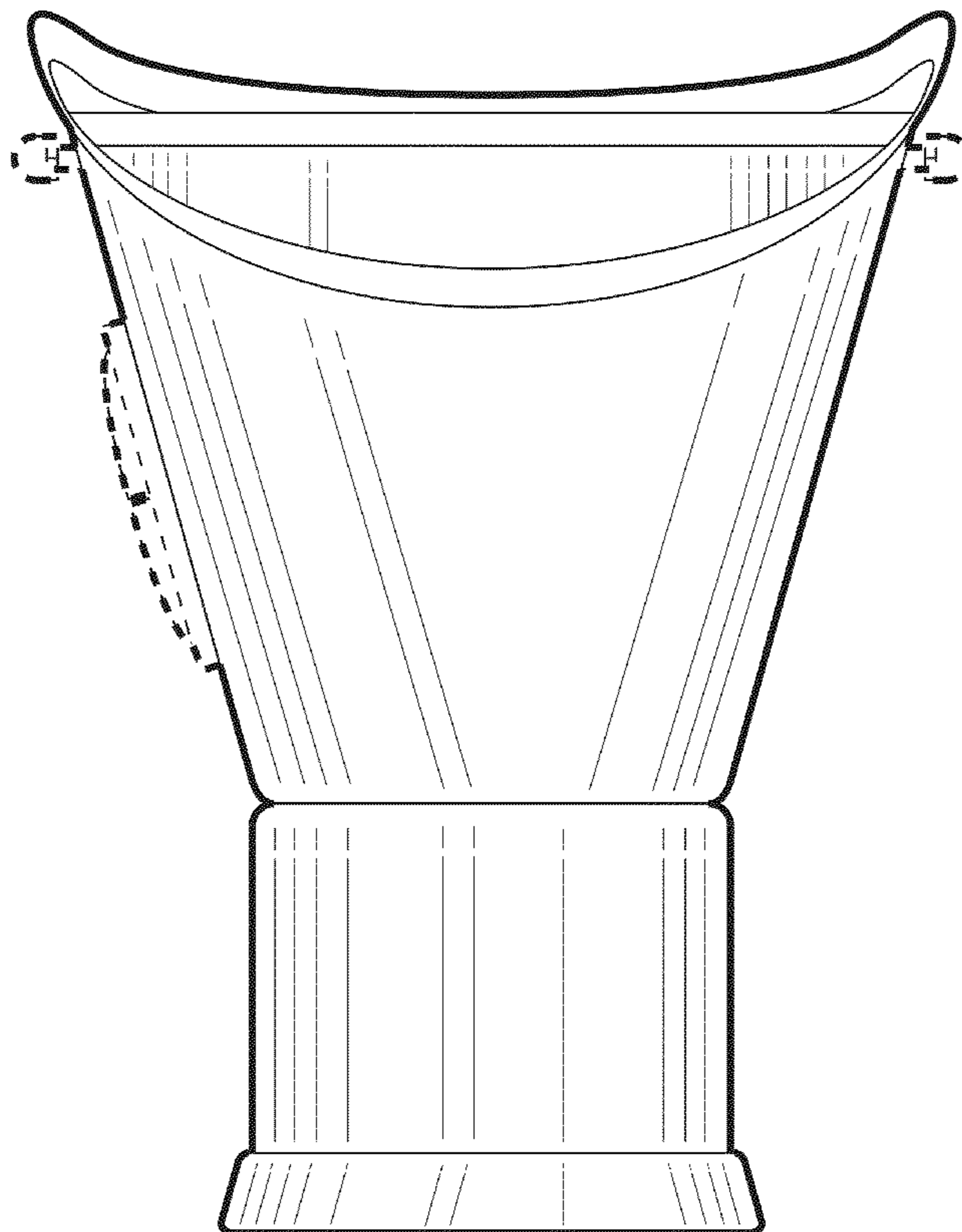
FIG. 4 is a rear view of the ultra driver cup as shown in FIGS. 1-3.

FIG. 5 is a top view of the ultra driver cup as shown in FIGS. 1-4; and,

FIG. 6 is a bottom view of the ultra driver cup as shown in FIGS. 1-5.

The showing of the broken lines illustrates the environment of the article of the ultra driver cup and forms no part of the claimed design, but are shown to indicate exit holes, fasteners, or attachment features.

1 Claim, 6 Drawing Sheets



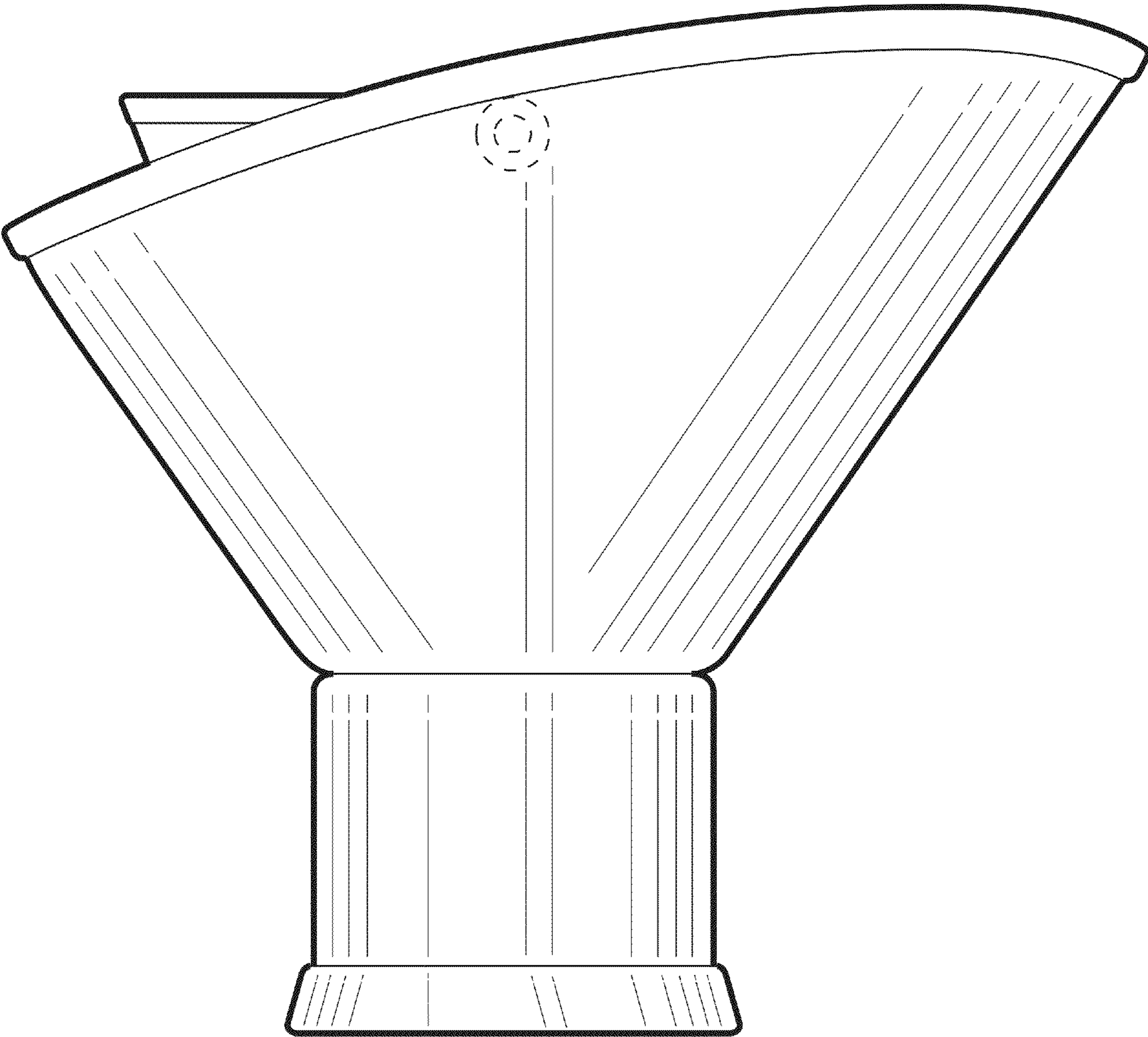


FIG. 1

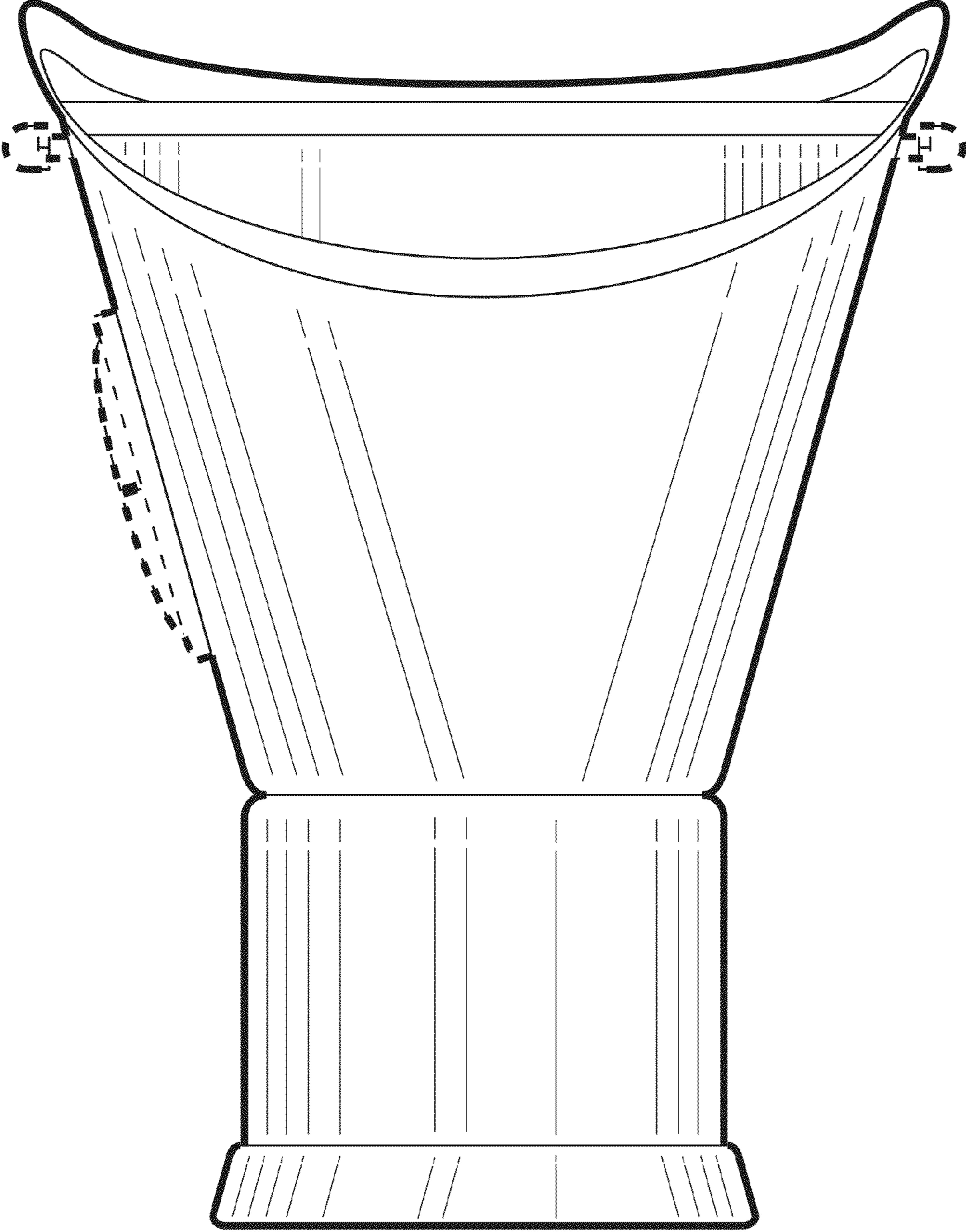


FIG. 2

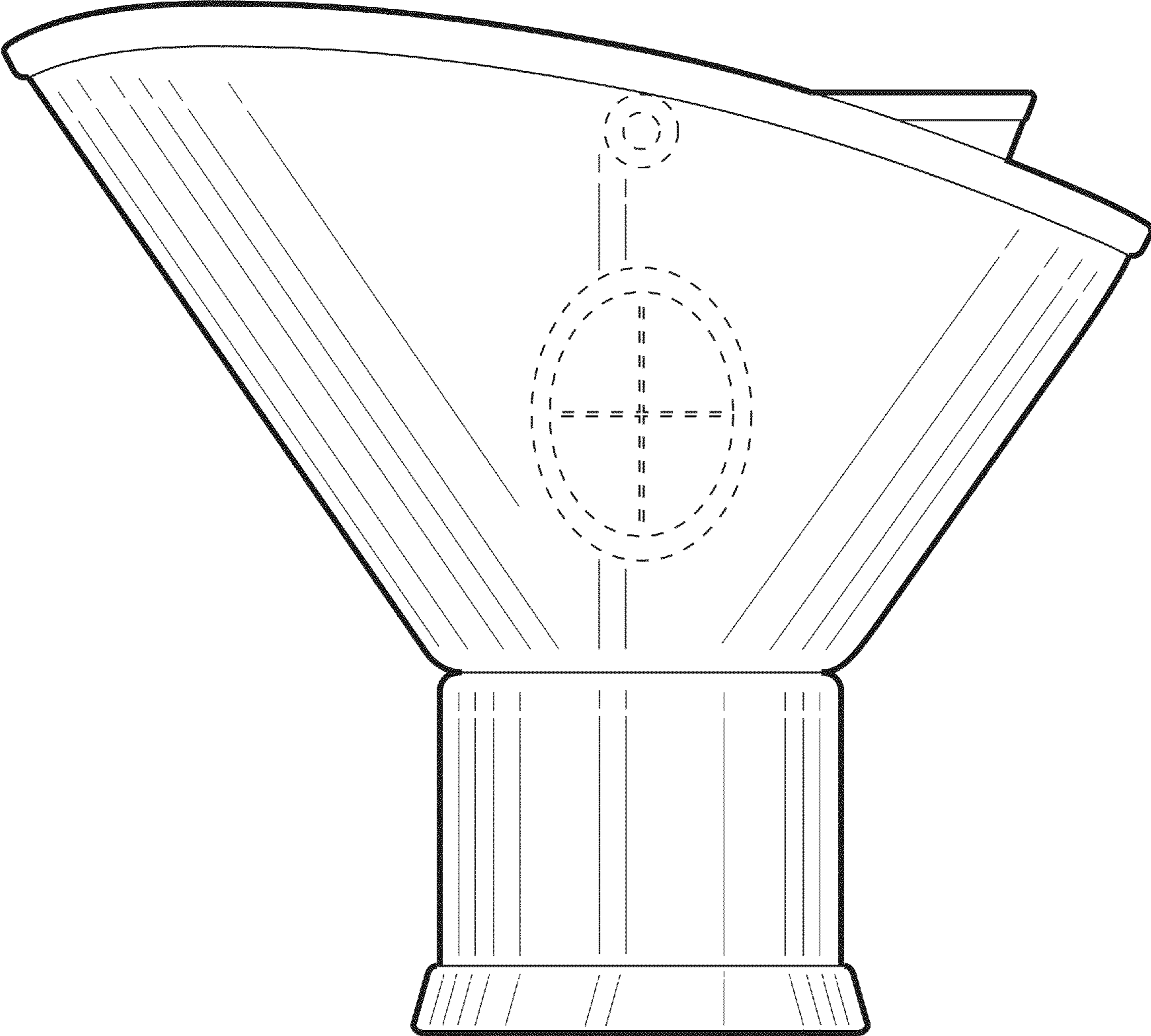


FIG. 3

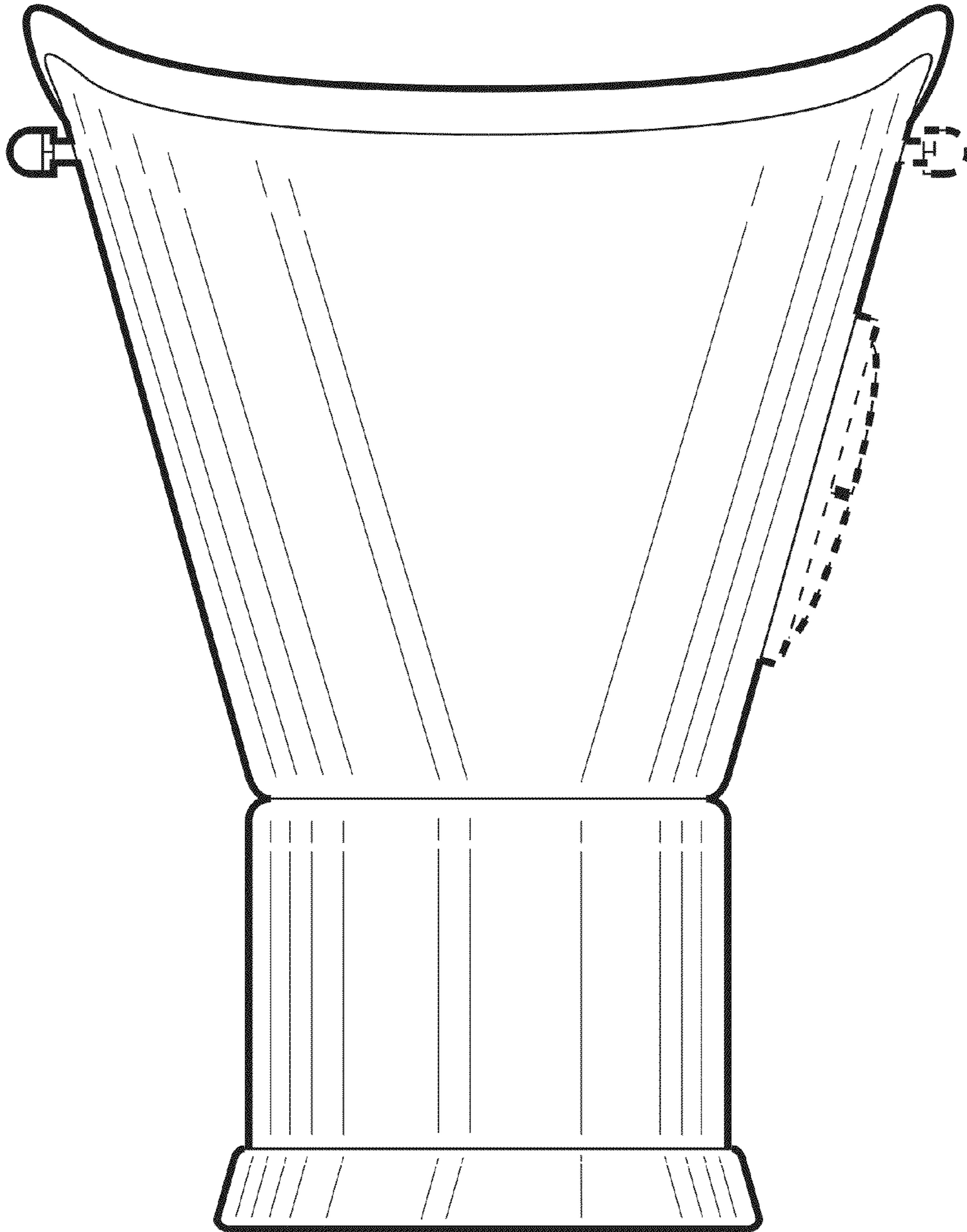


FIG. 4

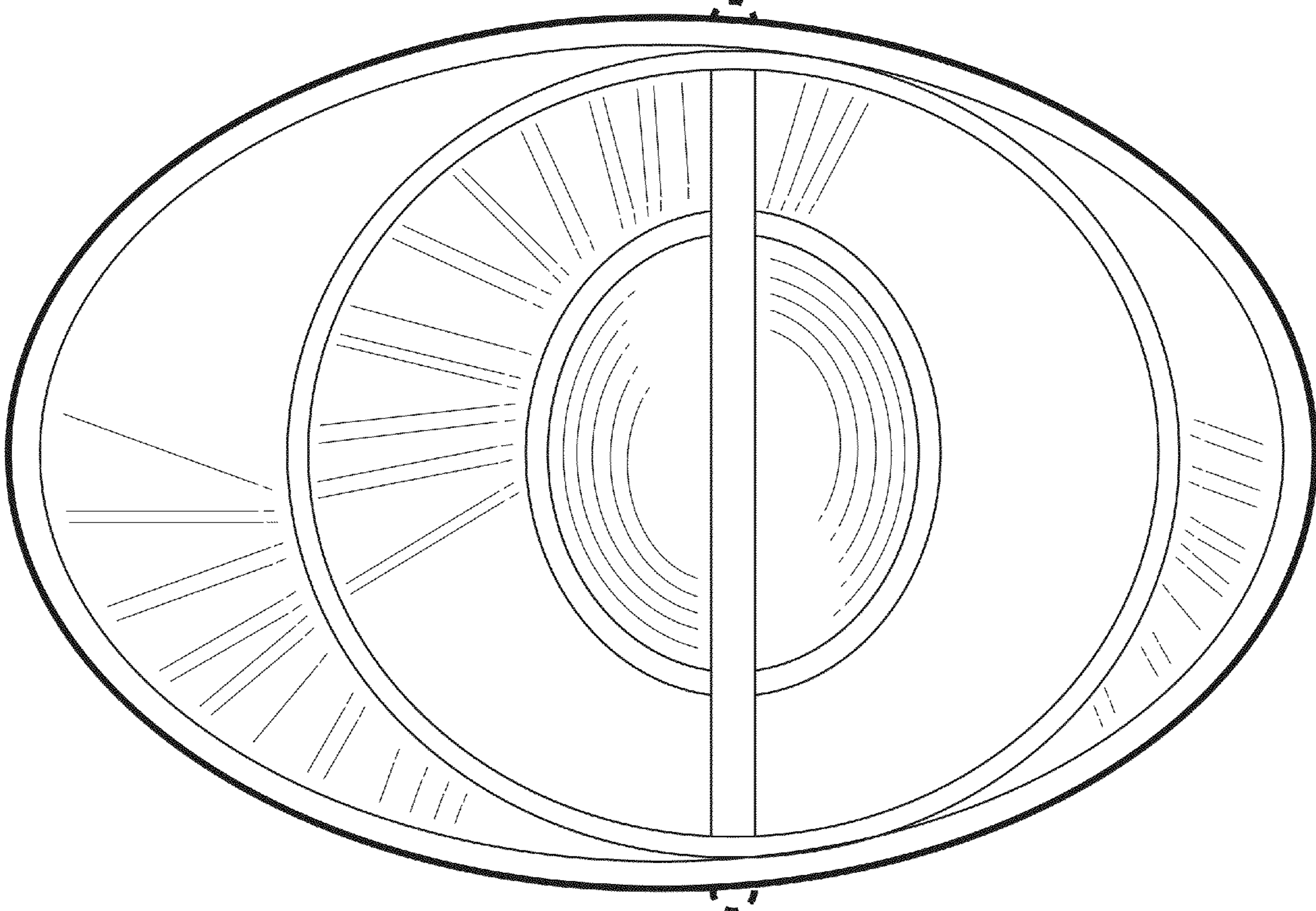


FIG. 5

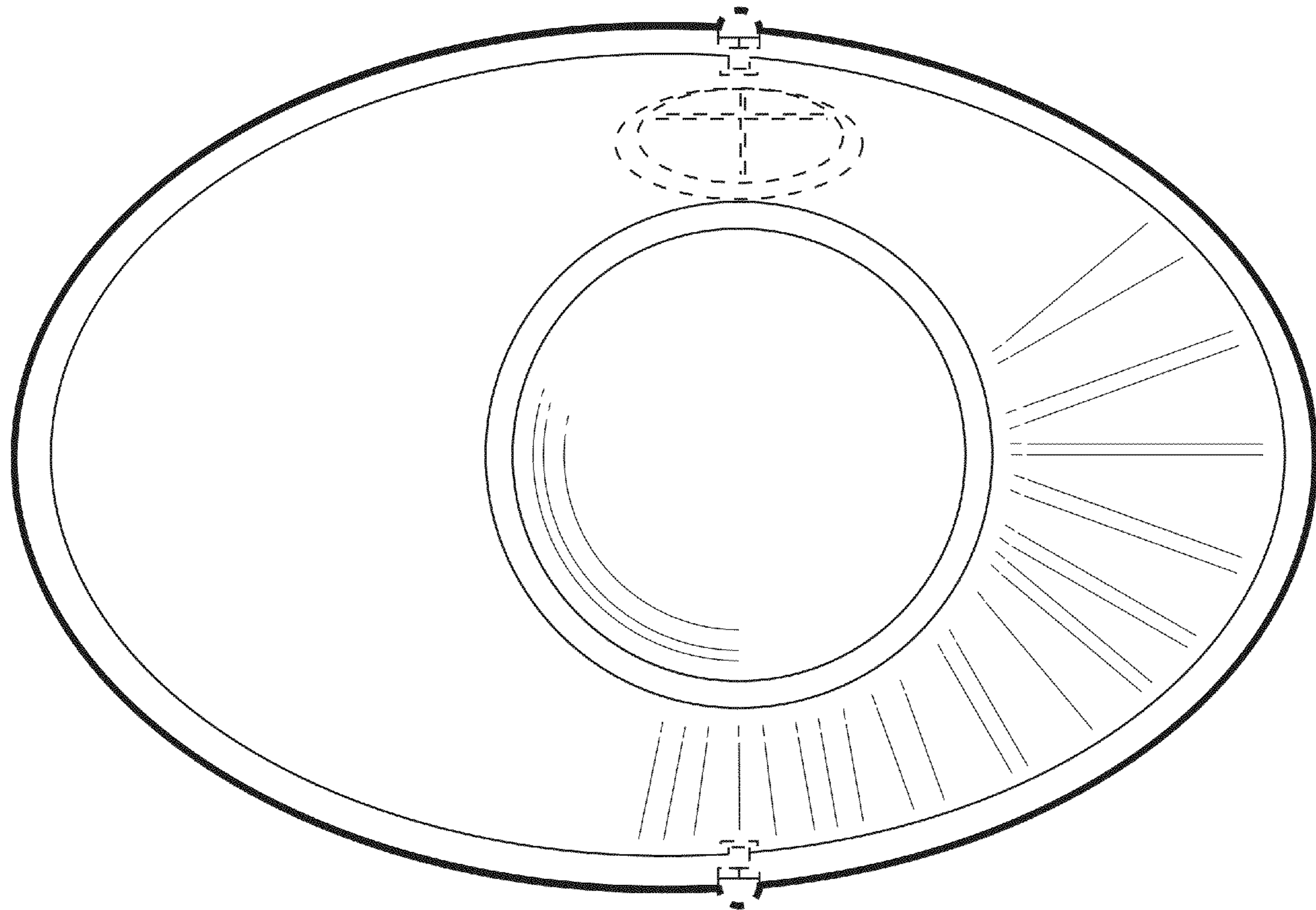


FIG. 6