



US00D739333S

(12) **United States Design Patent**
Goode et al.

(10) **Patent No.:** **US D739,333 S**

(45) **Date of Patent:** **** Sep. 22, 2015**

(54) **SPACE CAPSULE**

(71) Applicant: **World View Enterprises, Inc.**, Tucson,
AZ (US)

(72) Inventors: **Nigel Anthony Goode**, London (GB);
Daniel James Window, London (GB);
Nicholas Adrian Moyes, London (GB)

(73) Assignee: **World View Enterprises, Inc.**, Tucson,
AZ (US)

(**) Term: **14 Years**

(21) Appl. No.: **29/470,288**

(22) Filed: **Oct. 18, 2013**

(51) **LOC (10) Cl.** **12-07**

(52) **U.S. Cl.**
USPC **D12/320**

(58) **Field of Classification Search**
USPC D12/319-345; 244/158.1-173.3; 701/3,
701/13; 342/61, 62
CPC B64G 1/00; B64G 1/60
See application file for complete search history.

(56) **References Cited**

U.S. PATENT DOCUMENTS

3,073,040	A *	1/1963	Schueller	434/34
3,093,346	A *	6/1963	Faget et al.	244/159.1
3,146,500	A *	9/1964	Volkert	49/49
3,270,908	A *	9/1966	Faget et al.	220/668
3,465,482	A *	9/1969	Chandler	52/3
4,664,343	A *	5/1987	Lofts et al.	244/171.1
4,828,207	A *	5/1989	Haynes	244/171.7
4,936,528	A *	6/1990	Butner et al.	244/171.7

5,327,904	A *	7/1994	Hannum	128/205.26
7,556,040	B2 *	7/2009	Meyer et al.	128/205.26
2002/0190161	A1 *	12/2002	Patel et al.	244/161
2006/0284006	A1 *	12/2006	Chasman et al.	244/52

* cited by examiner

Primary Examiner — Cynthia Ramirez

Assistant Examiner — Gino Colan

(74) *Attorney, Agent, or Firm* — Peacock Myers, P.C.

(57) **CLAIM**

The ornamental design for a space capsule, as shown and described.

DESCRIPTION

FIG. 1 is a perspective view of a space capsule showing our new design;

FIG. 2 is a right side view thereof;

FIG. 3 is a left side view thereof;

FIG. 4 is a front view, the rear view being identical;

FIG. 5 is a top view thereof;

FIG. 6 is a bottom view thereof;

FIG. 7 is a right side view of a space capsule showing an alternate embodiment of our new design;

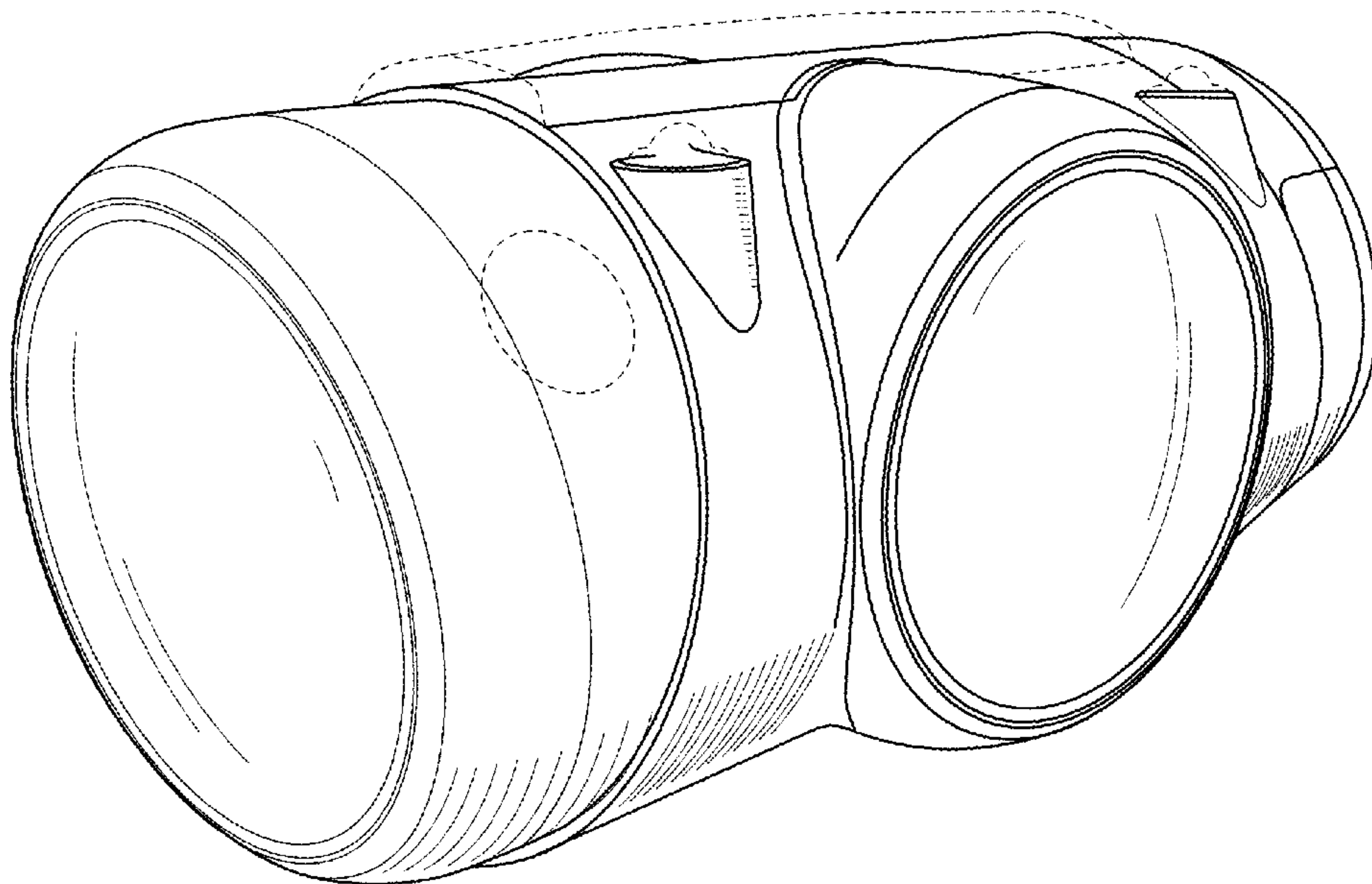
FIG. 8 is a left side view thereof;

FIG. 9 is a rear view thereof, the front view of the alternate embodiment being identical to FIG. 4; and,

FIG. 10 is a bottom view thereof, the top view of the alternate embodiment being identical to FIG. 5.

Some of the broken lines in the figures are included for the purpose of illustrating portions of the space capsule, and others are included for the purpose of showing environment and any of the broken lines form part of the claimed design.

1 Claim, 5 Drawing Sheets



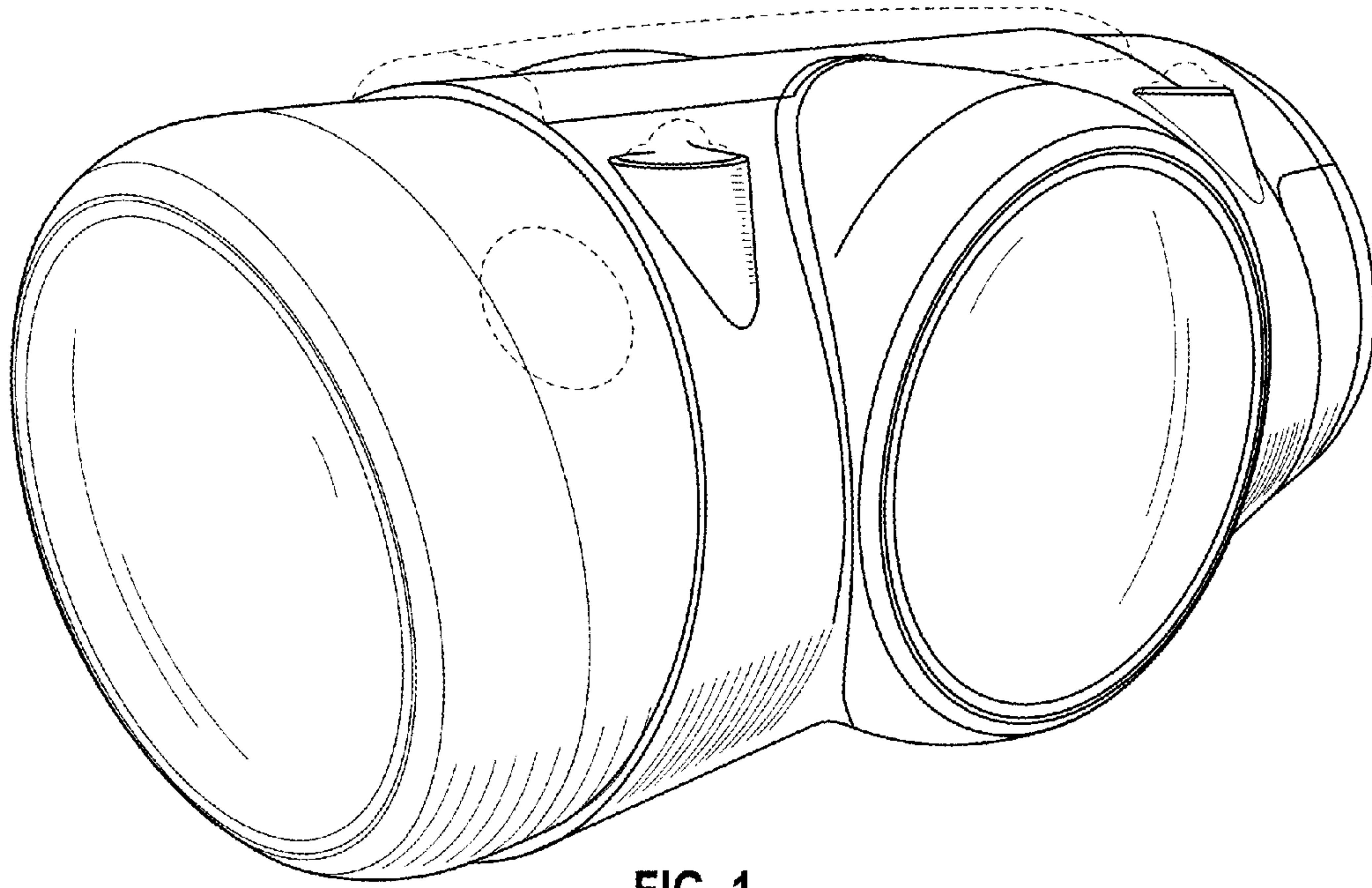


FIG. 1

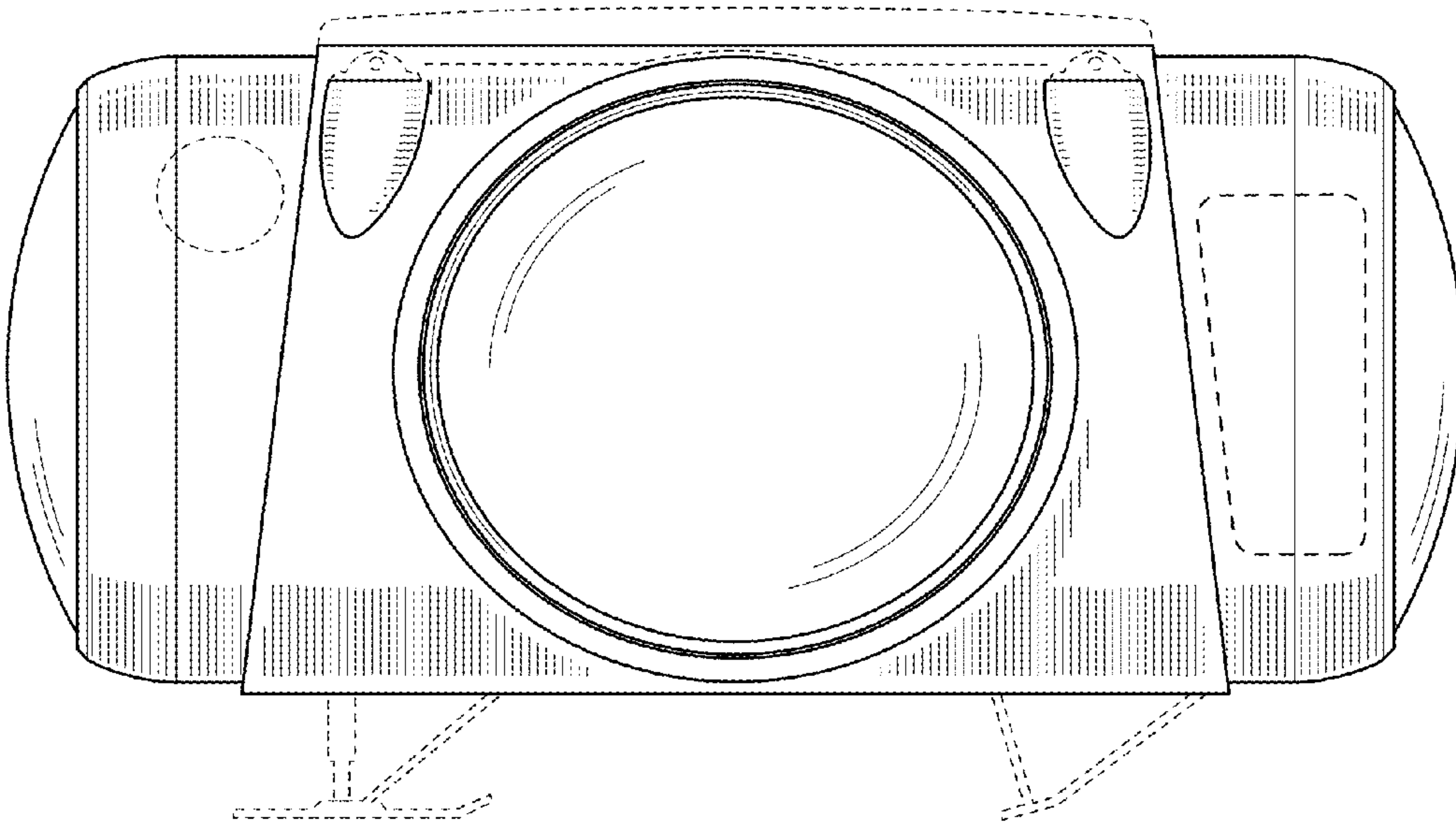


FIG. 2

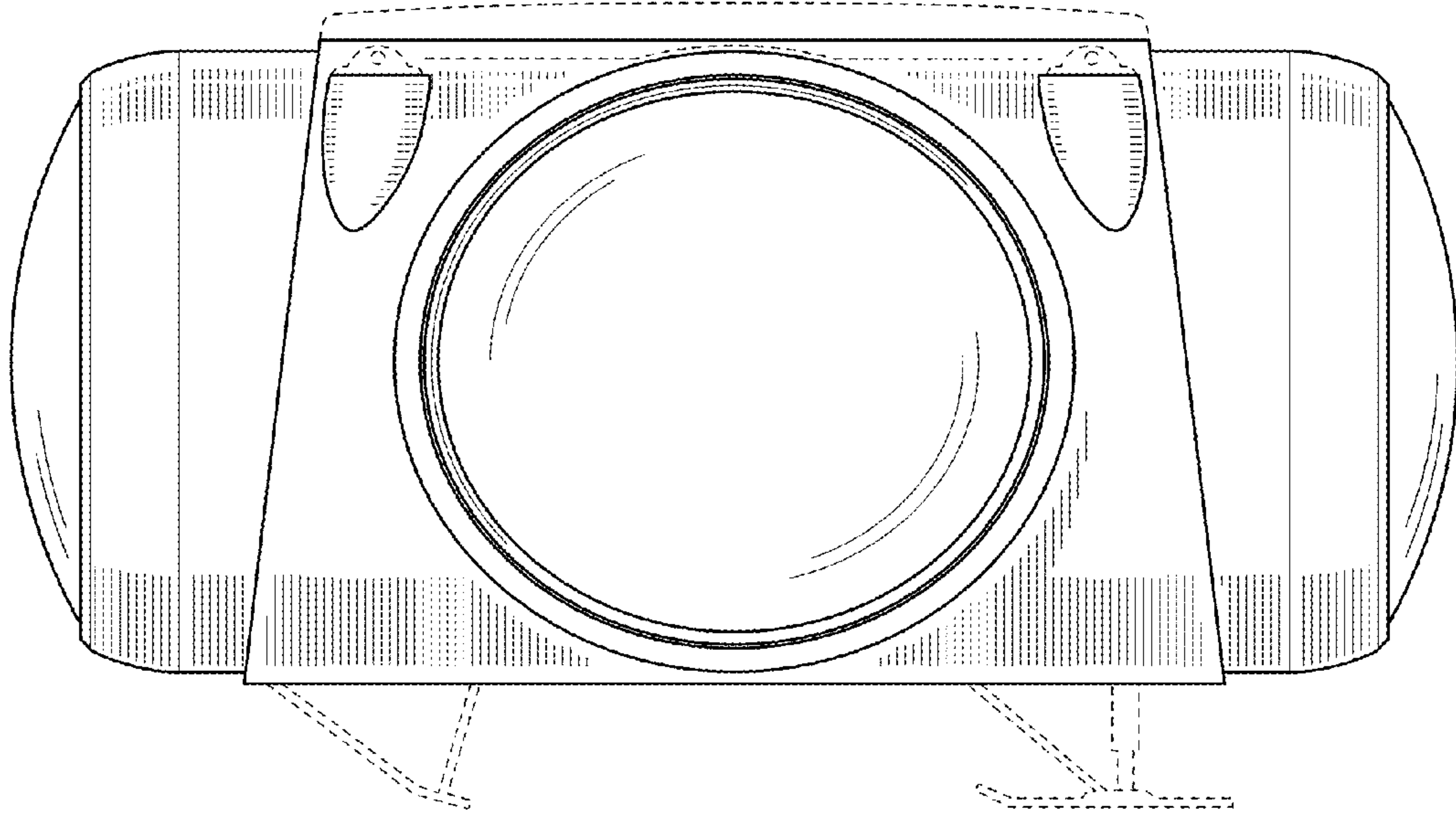


FIG. 3

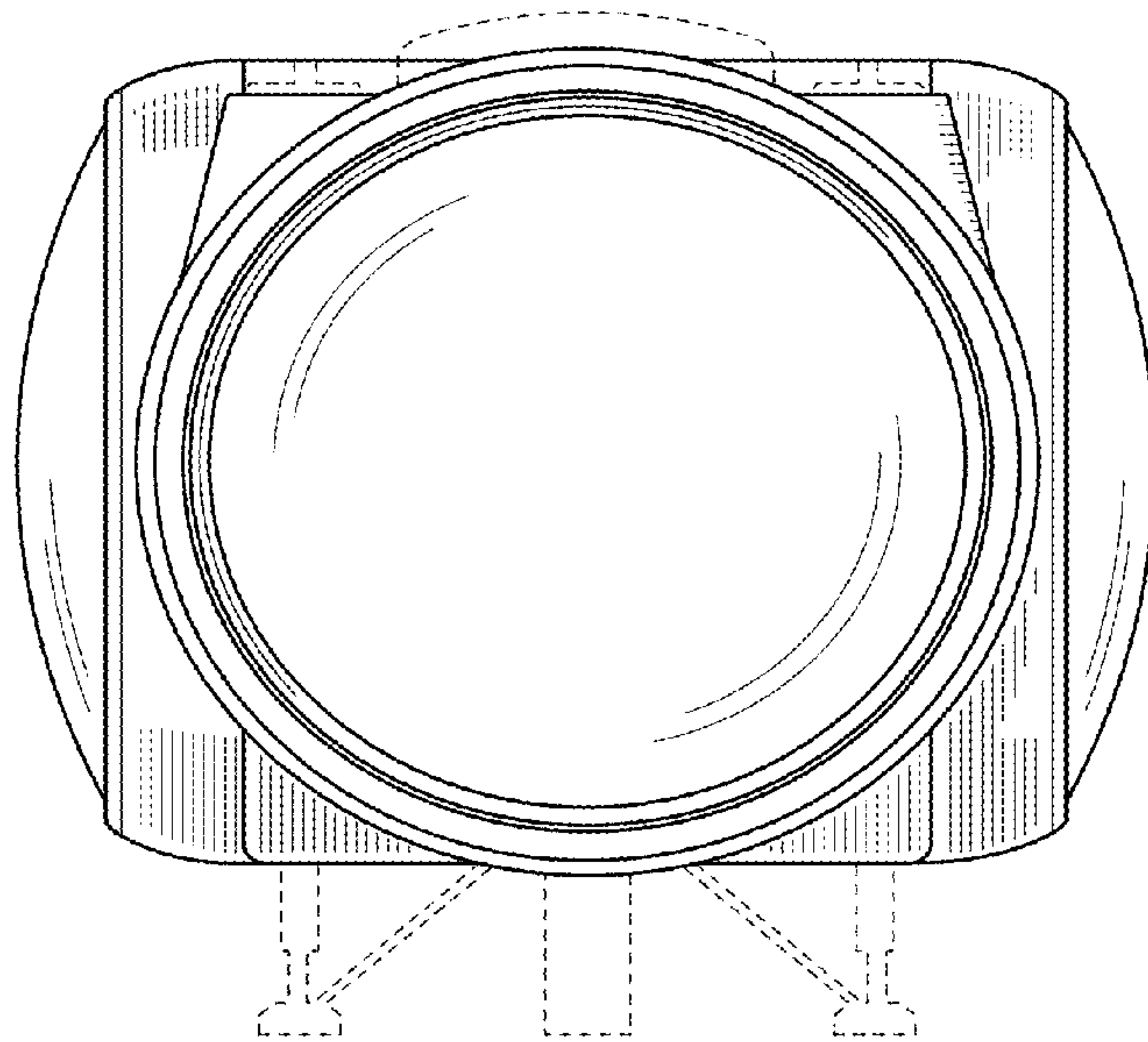


FIG. 4

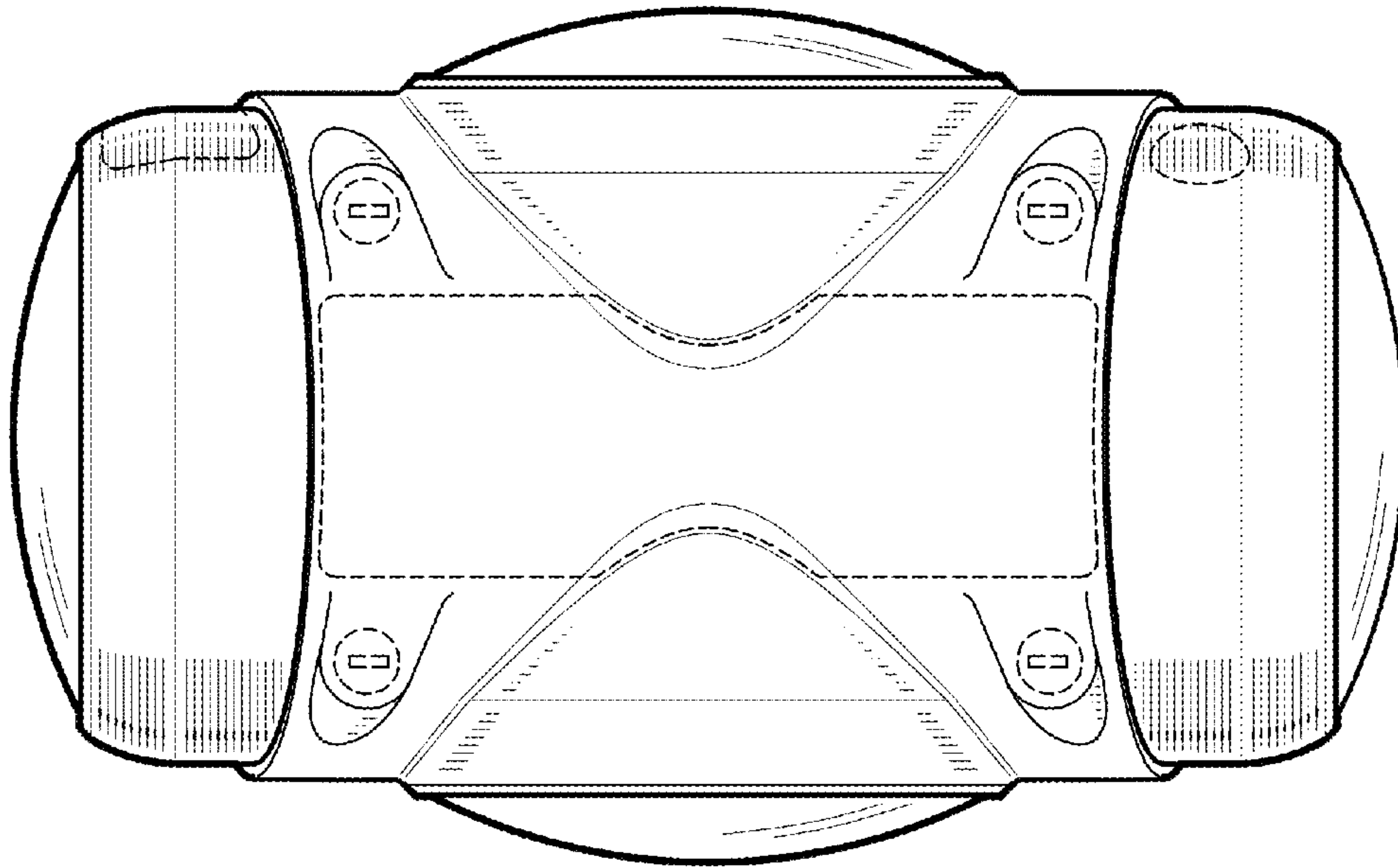


FIG. 5

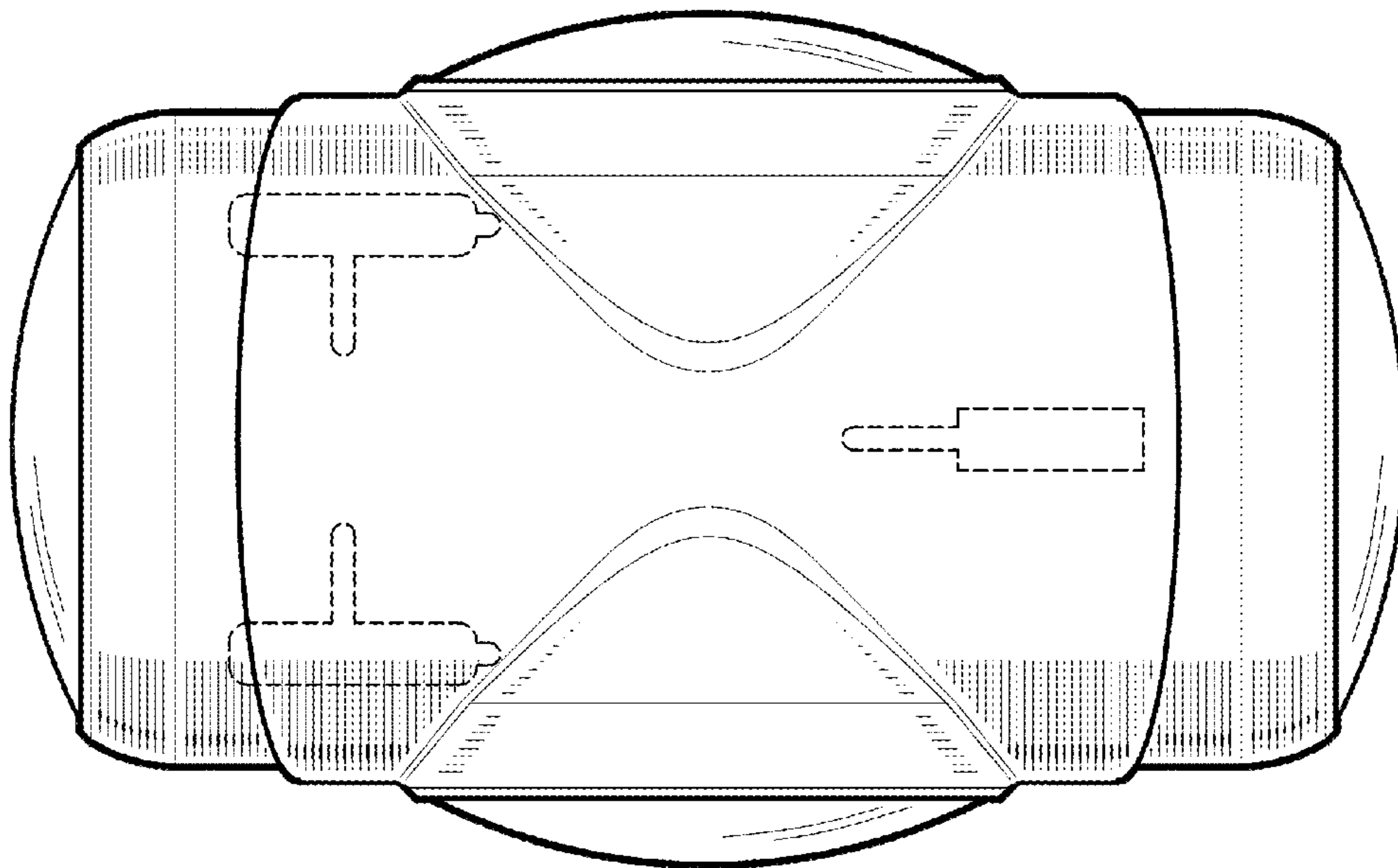


FIG. 6

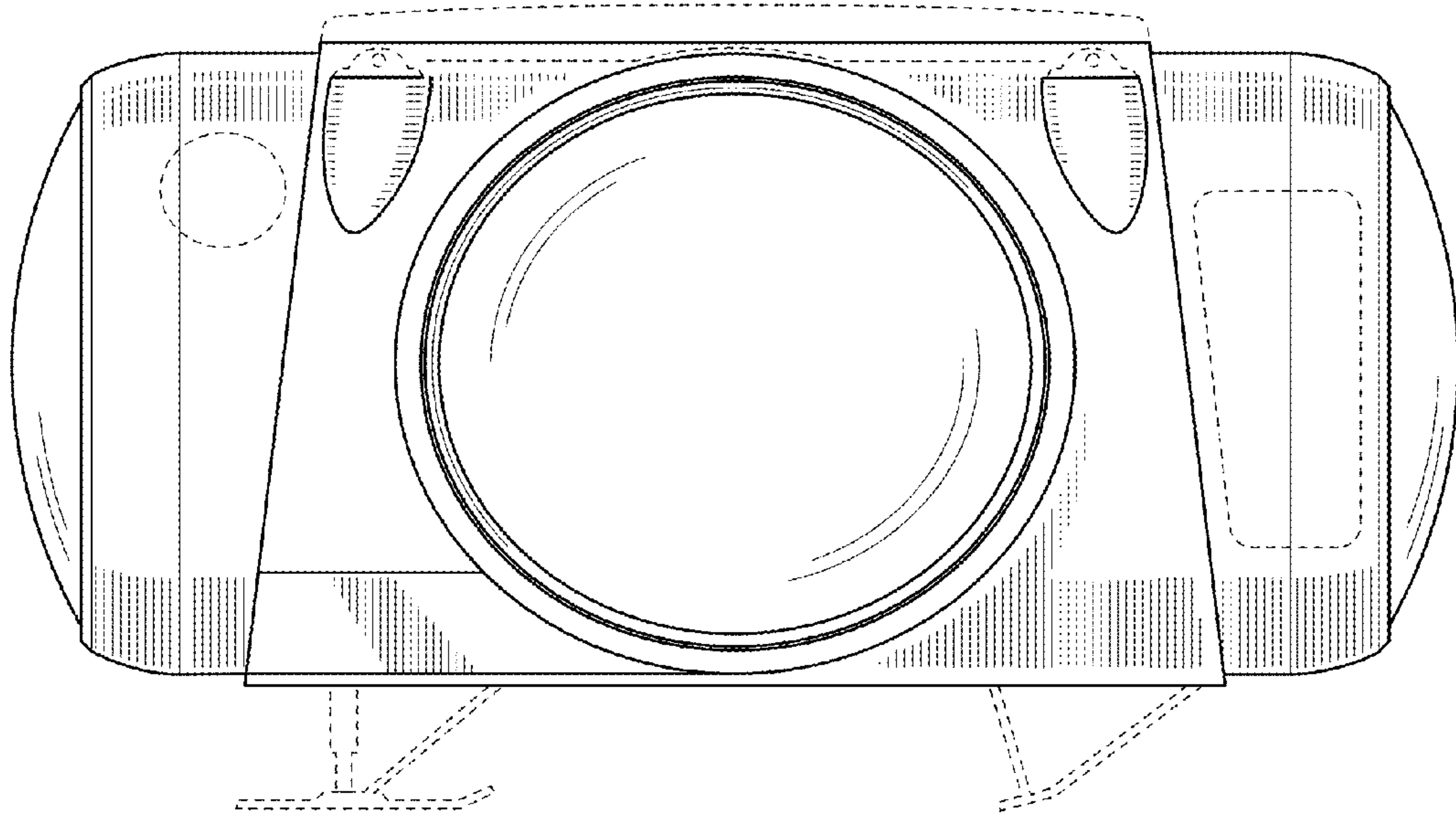


FIG. 7

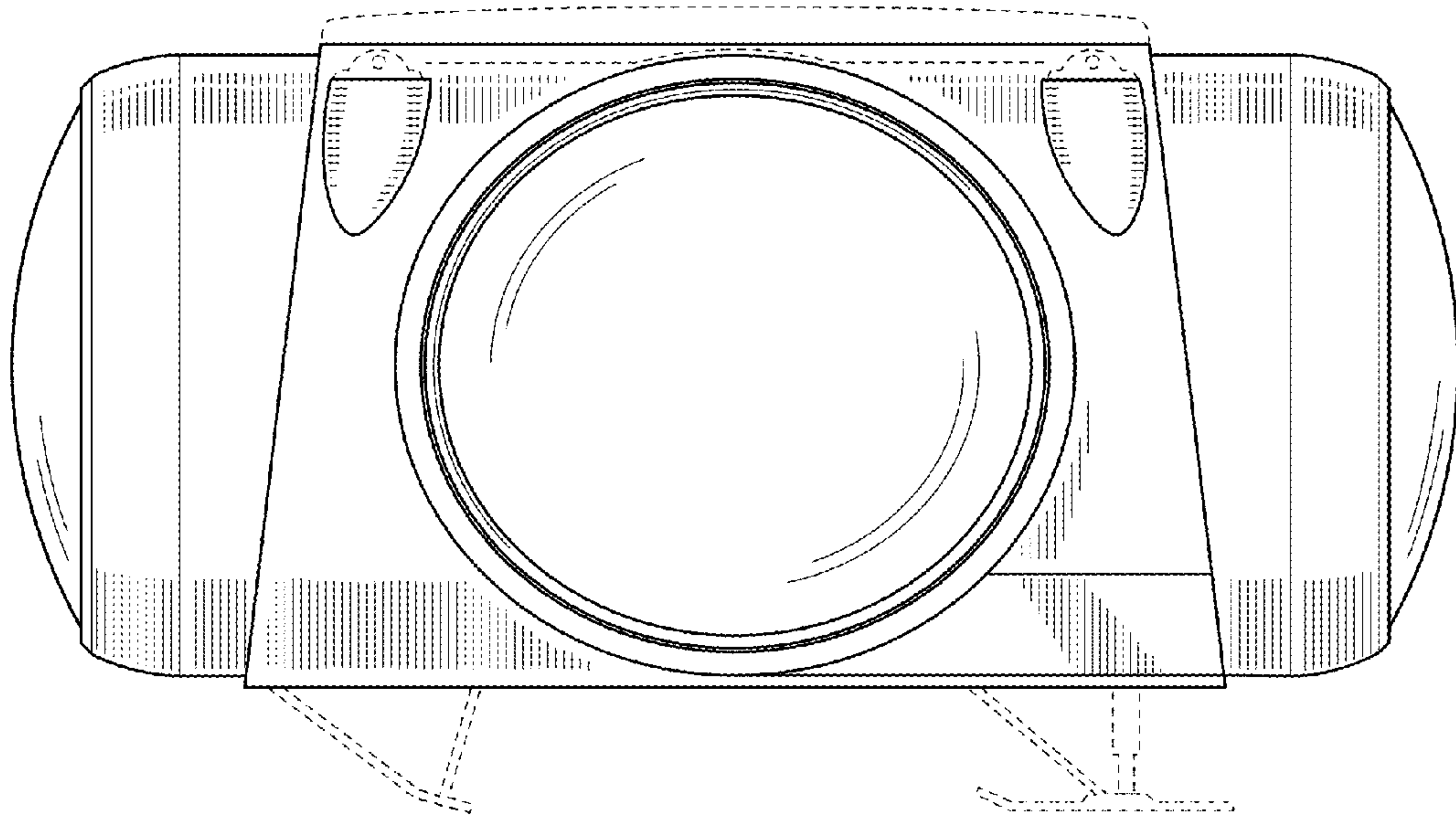


FIG. 8

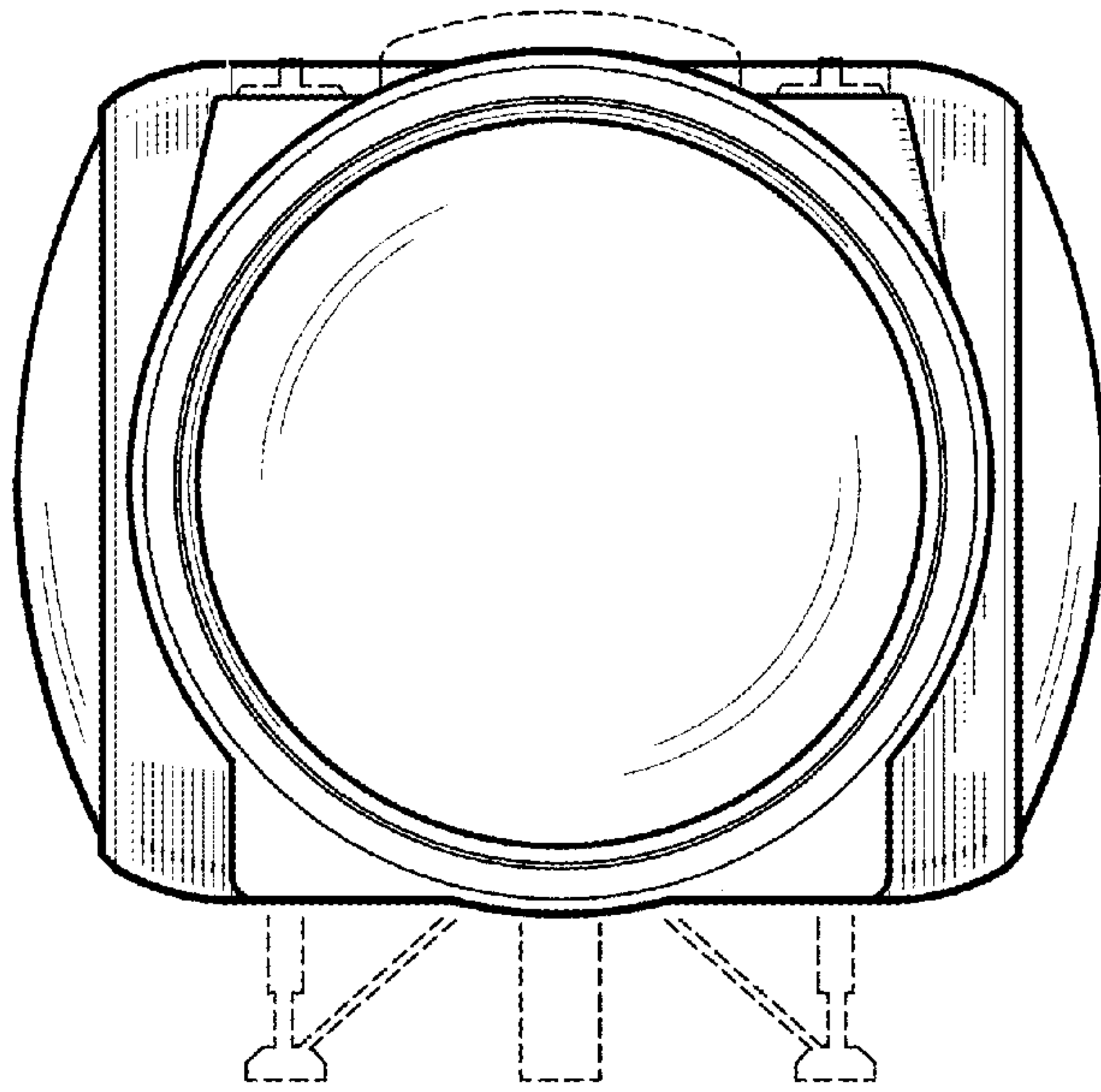


FIG. 9

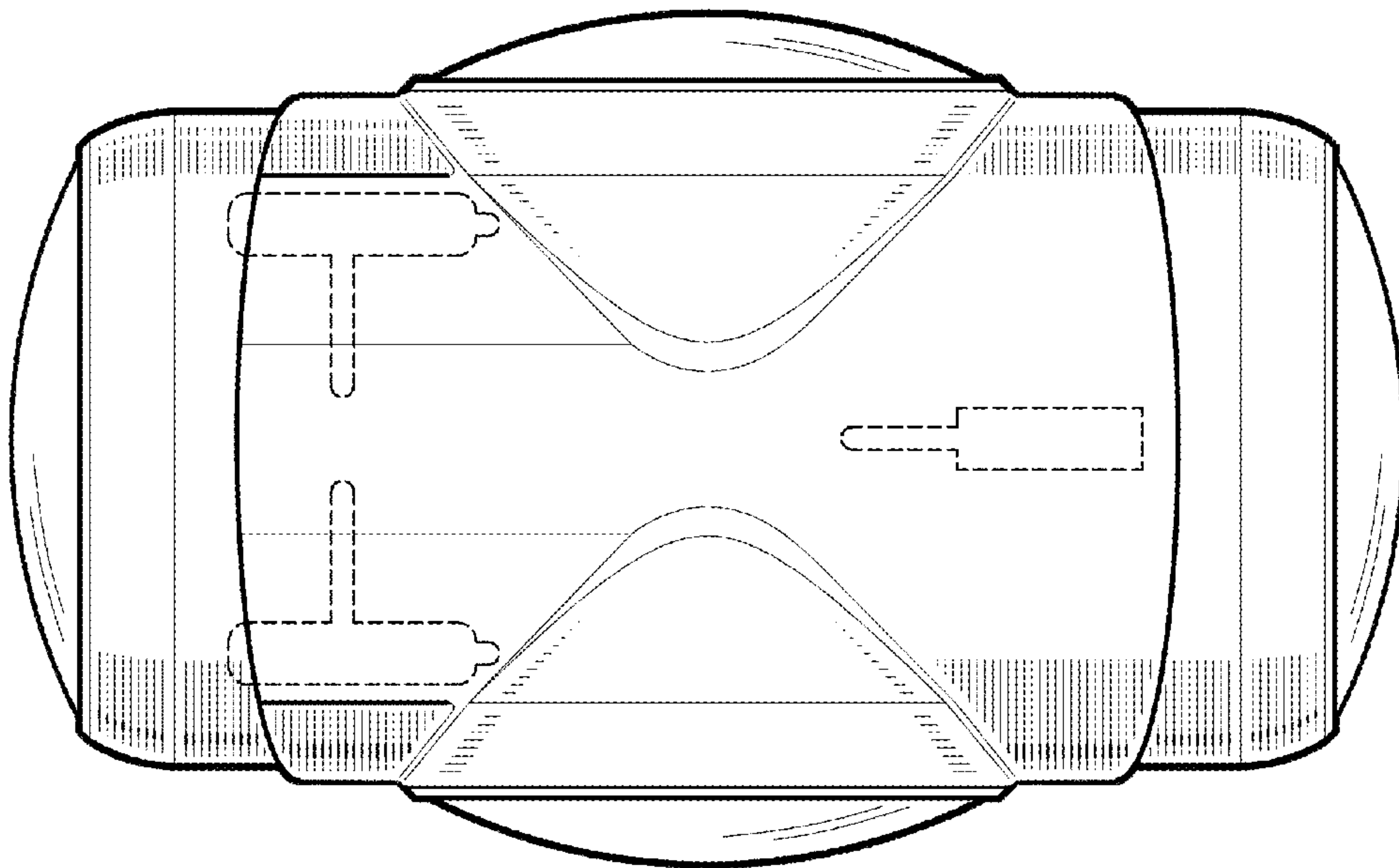


FIG. 10