



US00D739330S

(12) **United States Design Patent**
Wamilton

(10) **Patent No.:** **US D739,330 S**

(45) **Date of Patent:** **** Sep. 22, 2015**

(54) **PERSONAL WATERCRAFT**

(71) Applicant: **Wamilton's Custom Inc.**, Riviera Beach, FL (US)

(72) Inventor: **Teixeira L. Wamilton**, Riviera Beach, FL (US)

(73) Assignee: **Wamilton's Custom Inc.**, Riviera Beach, FL (US)

(**) Term: **14 Years**

(21) Appl. No.: **29/504,675**

(22) Filed: **Oct. 8, 2014**

(51) **LOC (10) Cl.** **12-06**

(52) **U.S. Cl.**
USPC **D12/307**

(58) **Field of Classification Search**
USPC D12/300-318; 114/55.5, 55.51-55.58, 114/345
CPC B63B 35/73; B63B 35/731; F02B 1/045
See application file for complete search history.

(56) **References Cited**

U.S. PATENT DOCUMENTS

D444,761	S	*	7/2001	Momoi et al.	D12/307
D464,015	S	*	10/2002	Bucaccio et al.	D12/307
D464,016	S	*	10/2002	Orr et al.	D12/307
D464,926	S	*	10/2002	Mizuta et al.	D12/307

6,843,192	B1	*	1/2005	Nugteren et al.	114/55.5
D508,454	S	*	8/2005	Ino et al.	D12/317
D513,225	S	*	12/2005	Omae et al.	D12/307
D558,122	S	*	12/2007	Tanaka et al.	D12/307
D580,340	S	*	11/2008	Asada et al.	D12/307
D632,632	S	*	2/2011	Cote	D12/307
D650,317	S	*	12/2011	Yamamoto	D12/307
2004/0007167	A1	*	1/2004	Cassell	114/55.57
2004/0168622	A1	*	9/2004	Thompson et al.	114/55.5

* cited by examiner

Primary Examiner — Cynthia M Chin

(74) *Attorney, Agent, or Firm* — Ferris H. Lander, Inc.

(57) **CLAIM**

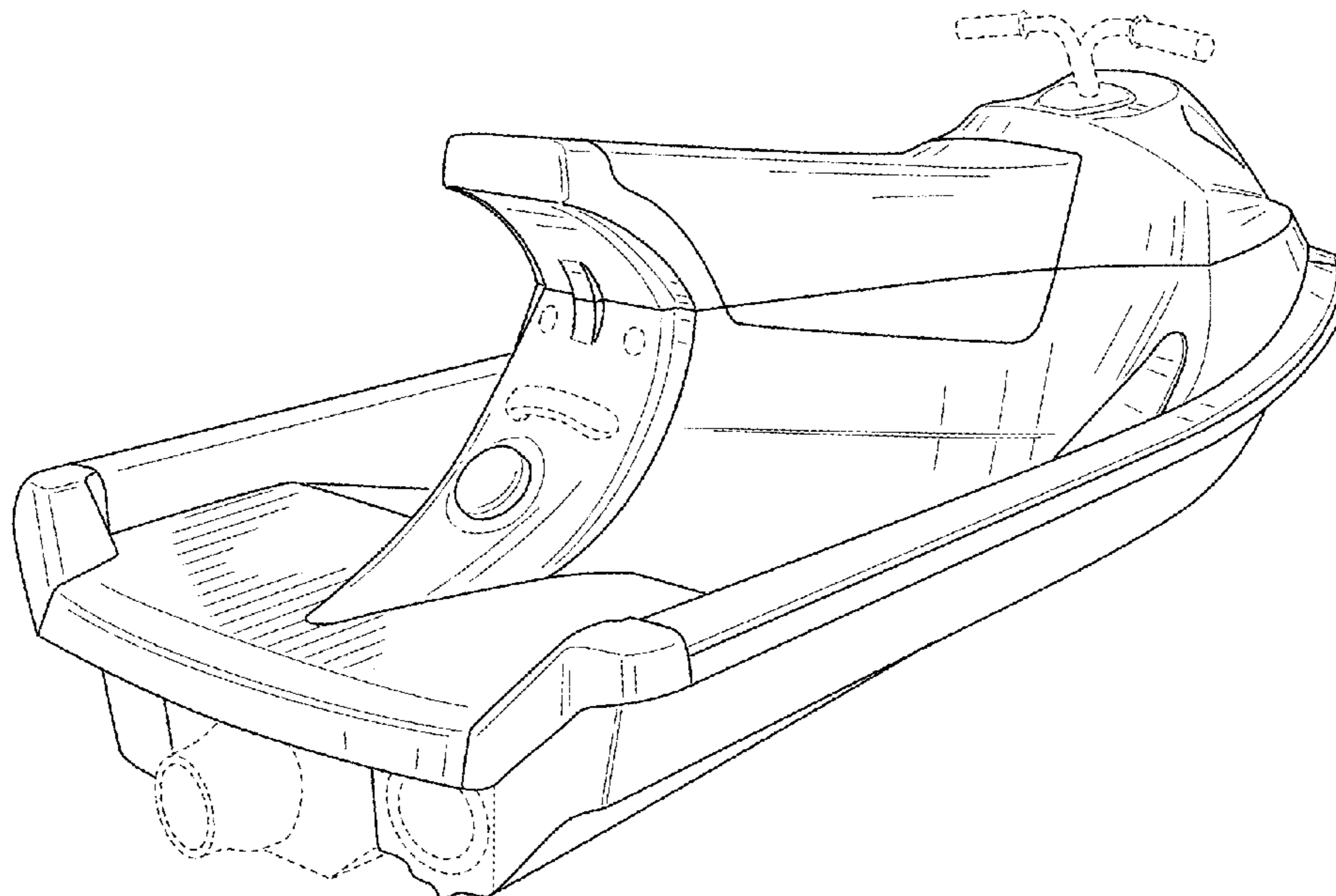
The ornamental design for a personal watercraft, as shown and described.

DESCRIPTION

FIG. 1 is a perspective view of the personal watercraft of the instant invention;
FIG. 2 is a front view thereof;
FIG. 3 is a rear view thereof;
FIG. 4 is a left side view thereof;
FIG. 5 is a right side view thereof;
FIG. 6 is a top plan view thereof; and,
FIG. 7 is a bottom plan view thereof.

The broken lines shown in the figures (portions of the design shown in broken/dashed lines) are included for the purpose of illustrating environment and form no part of the claimed design.

1 Claim, 6 Drawing Sheets



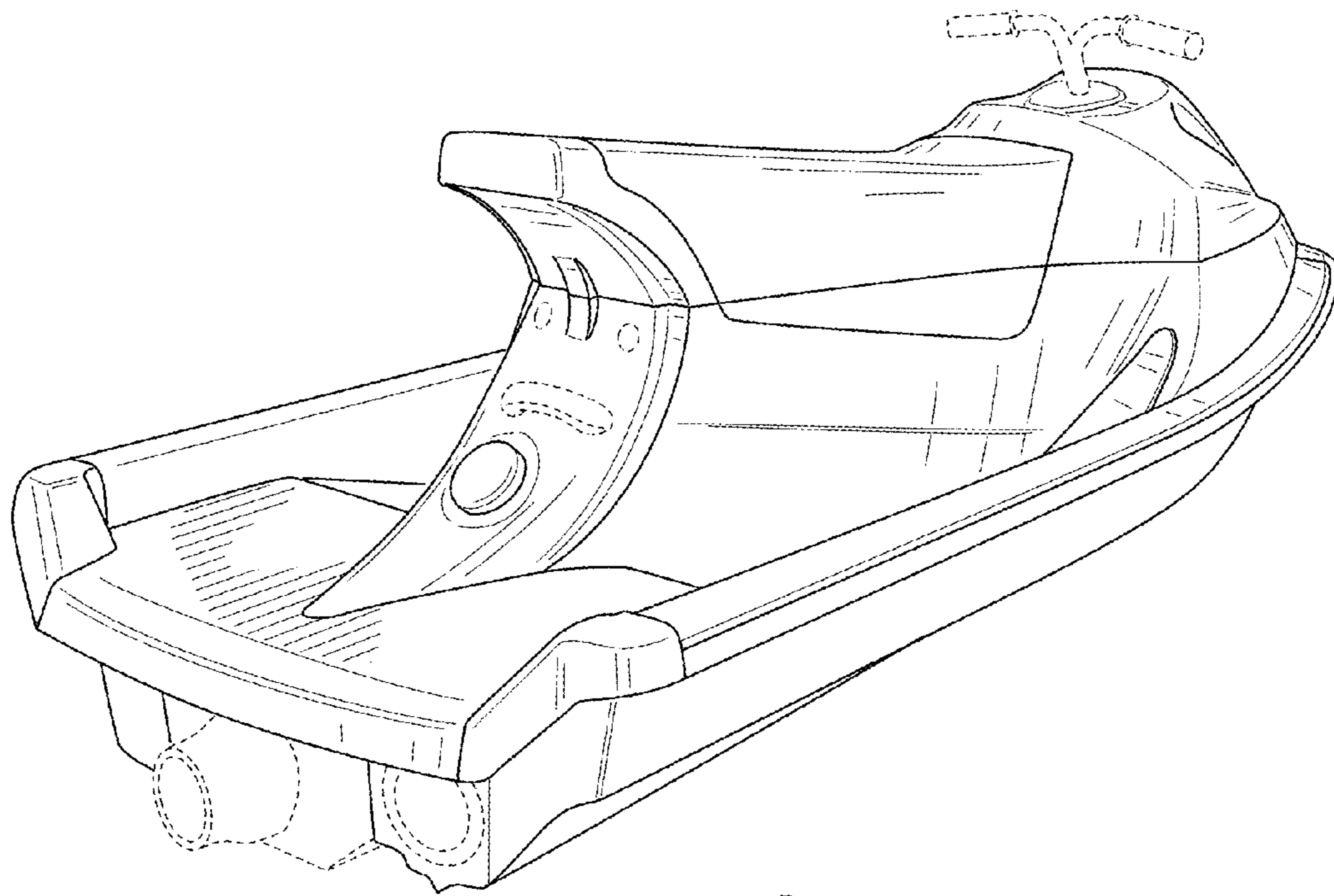


FIG. 1

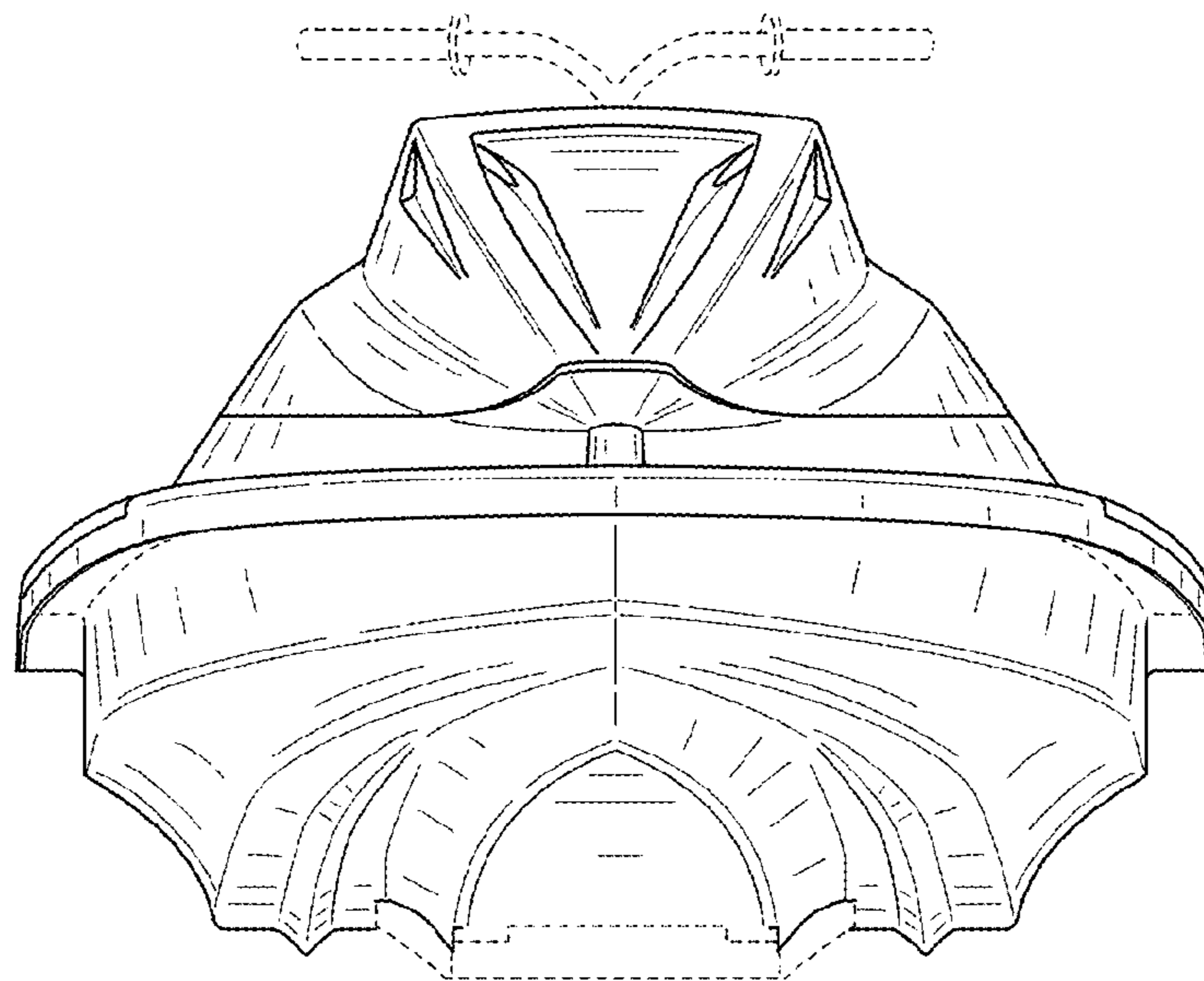


FIG. 2

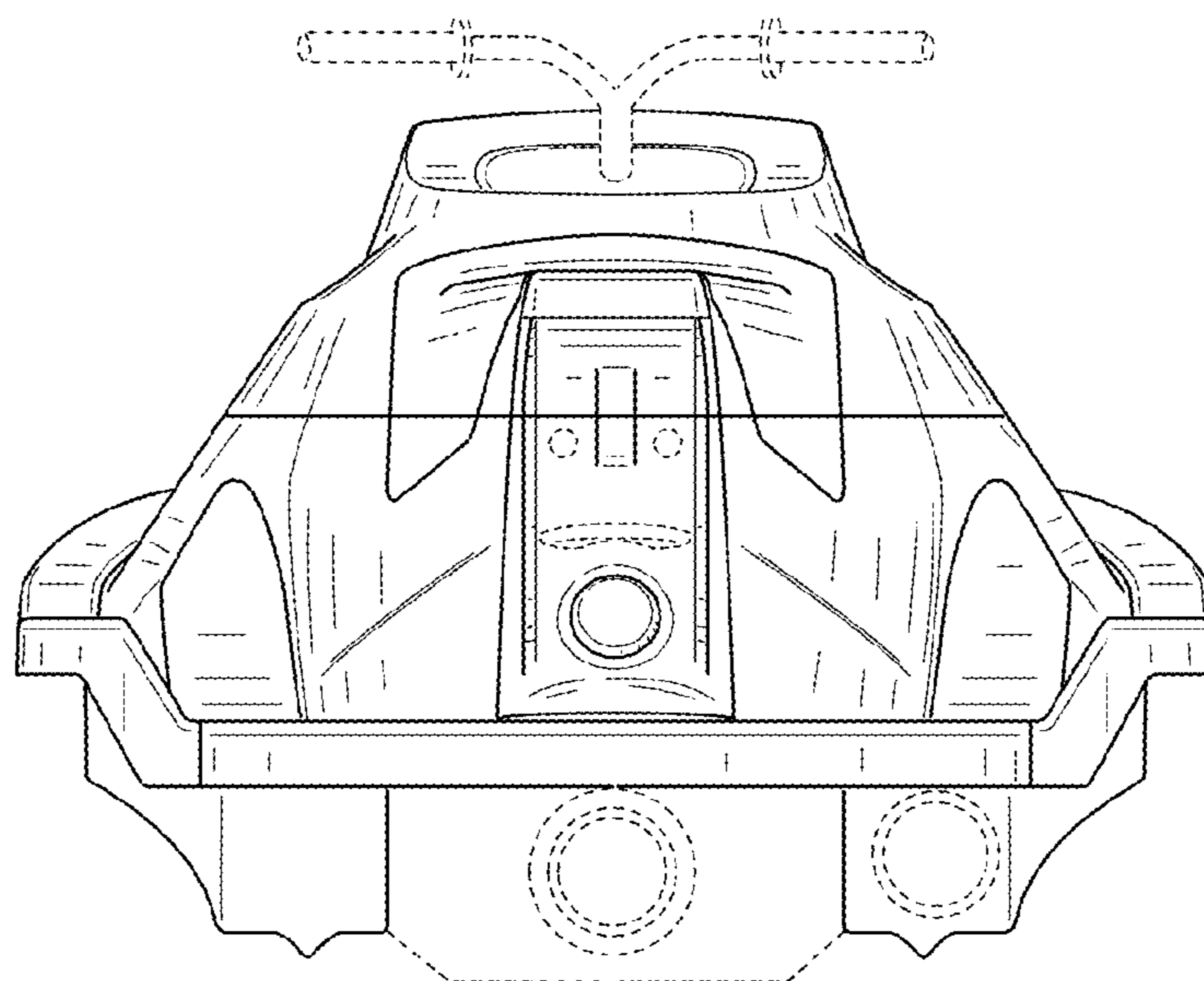


FIG. 3

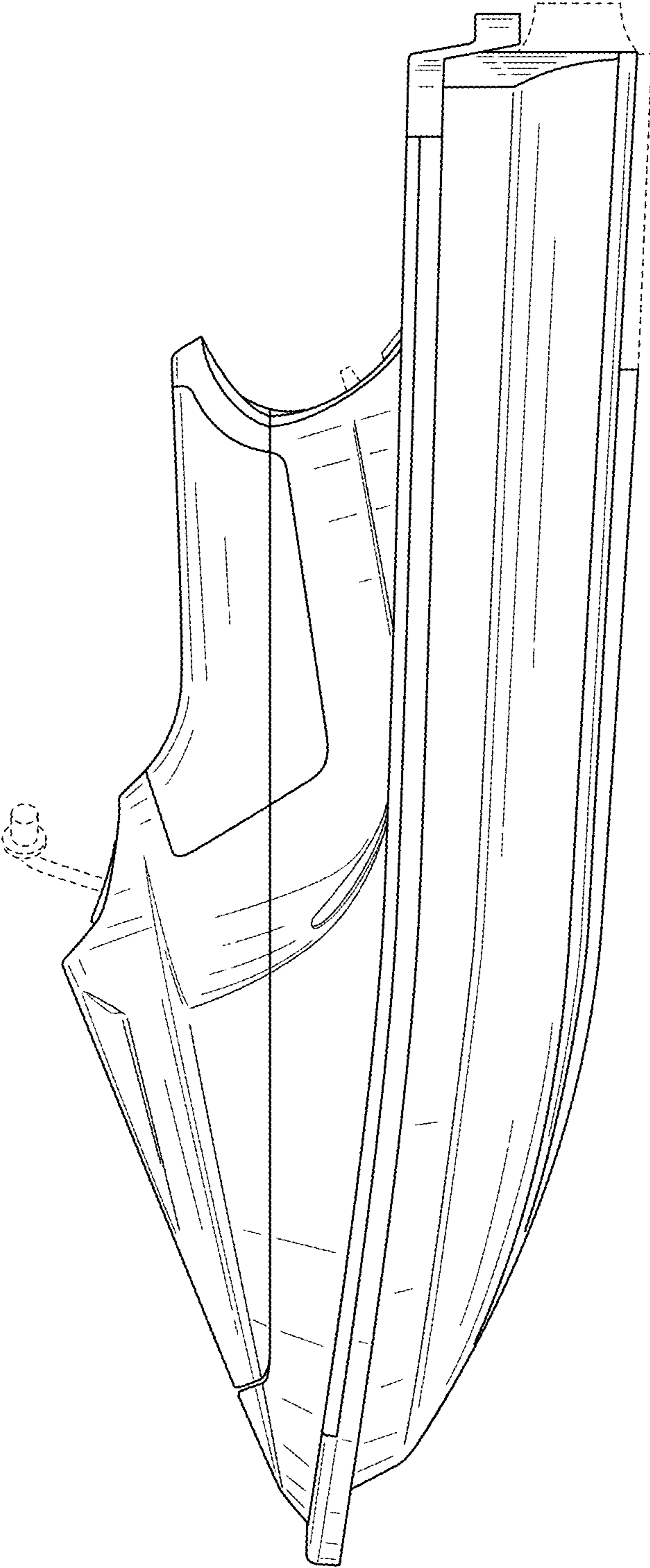


FIG. 4

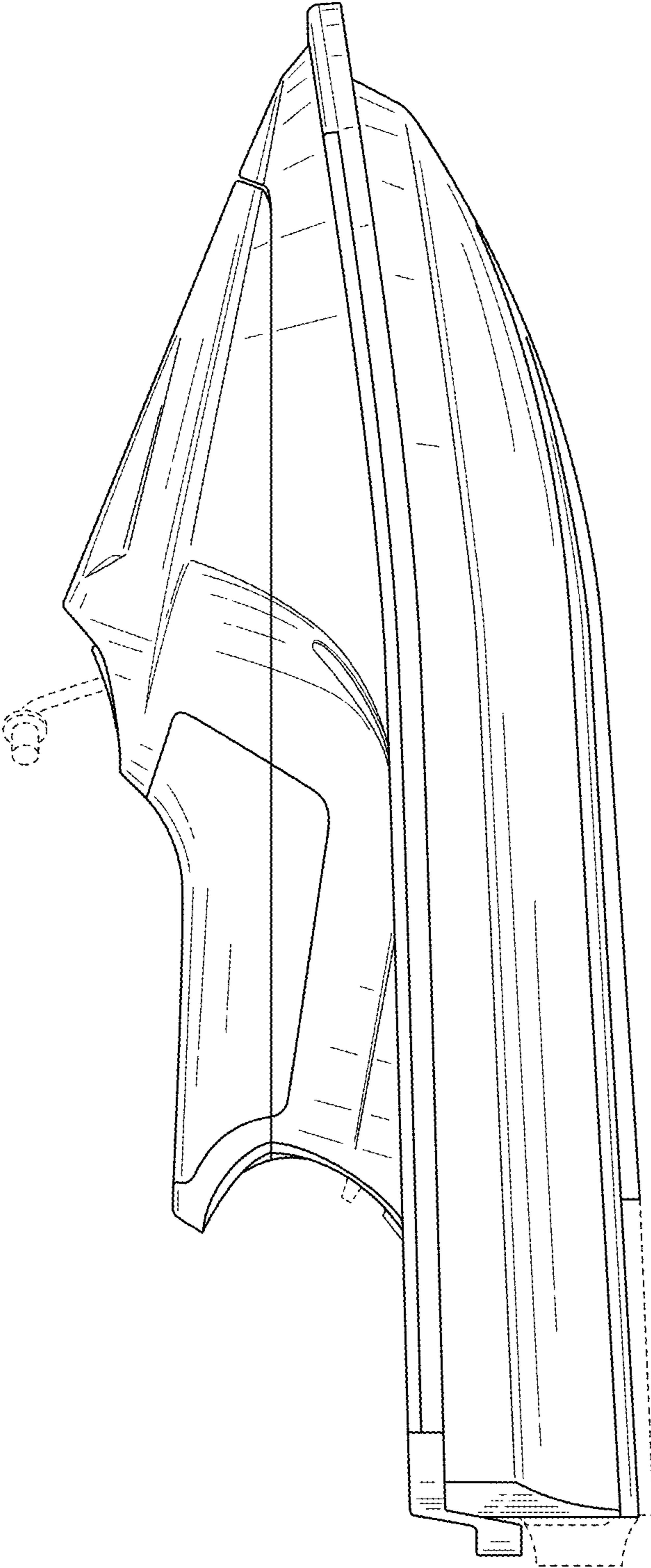


FIG. 5

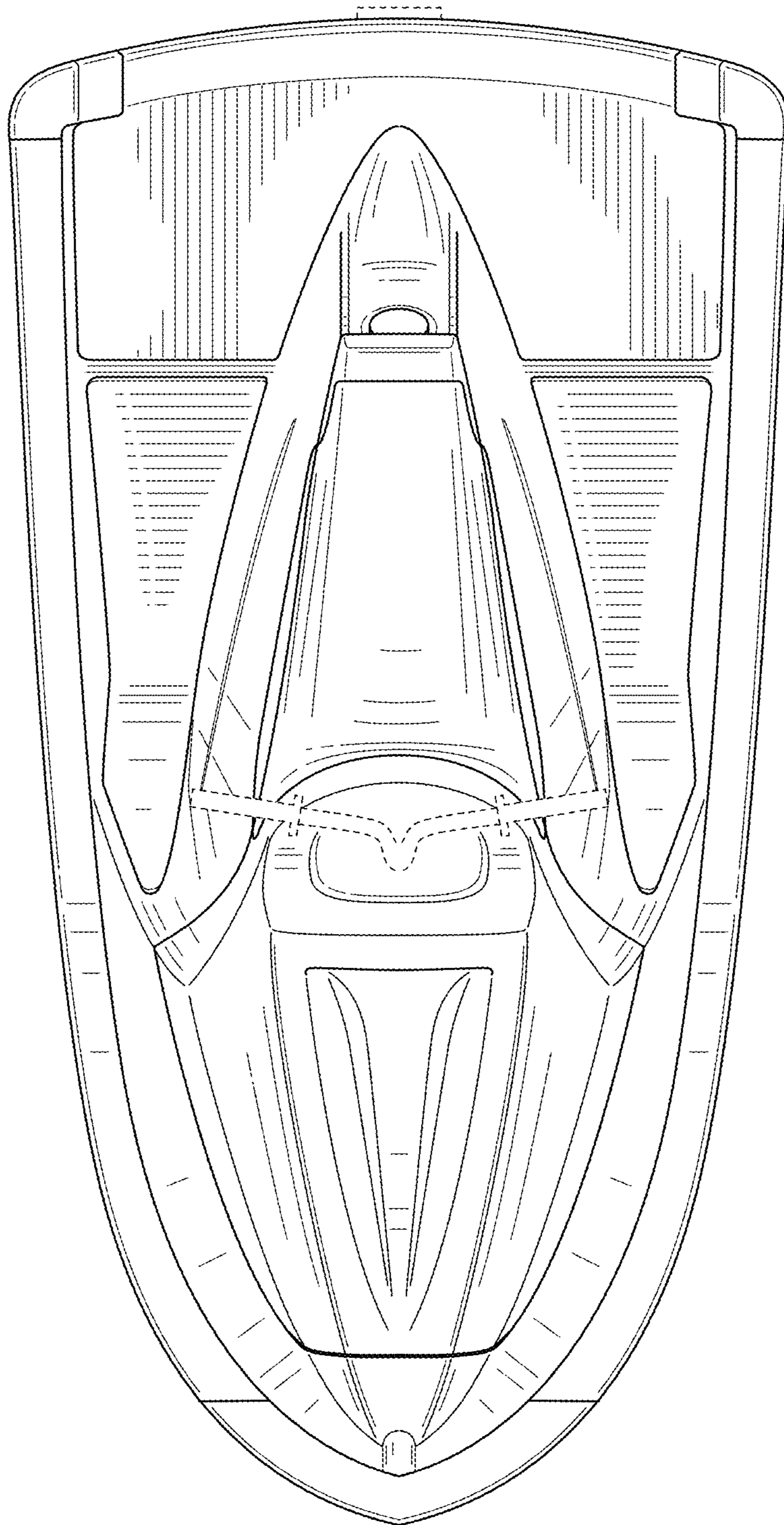


FIG. 6

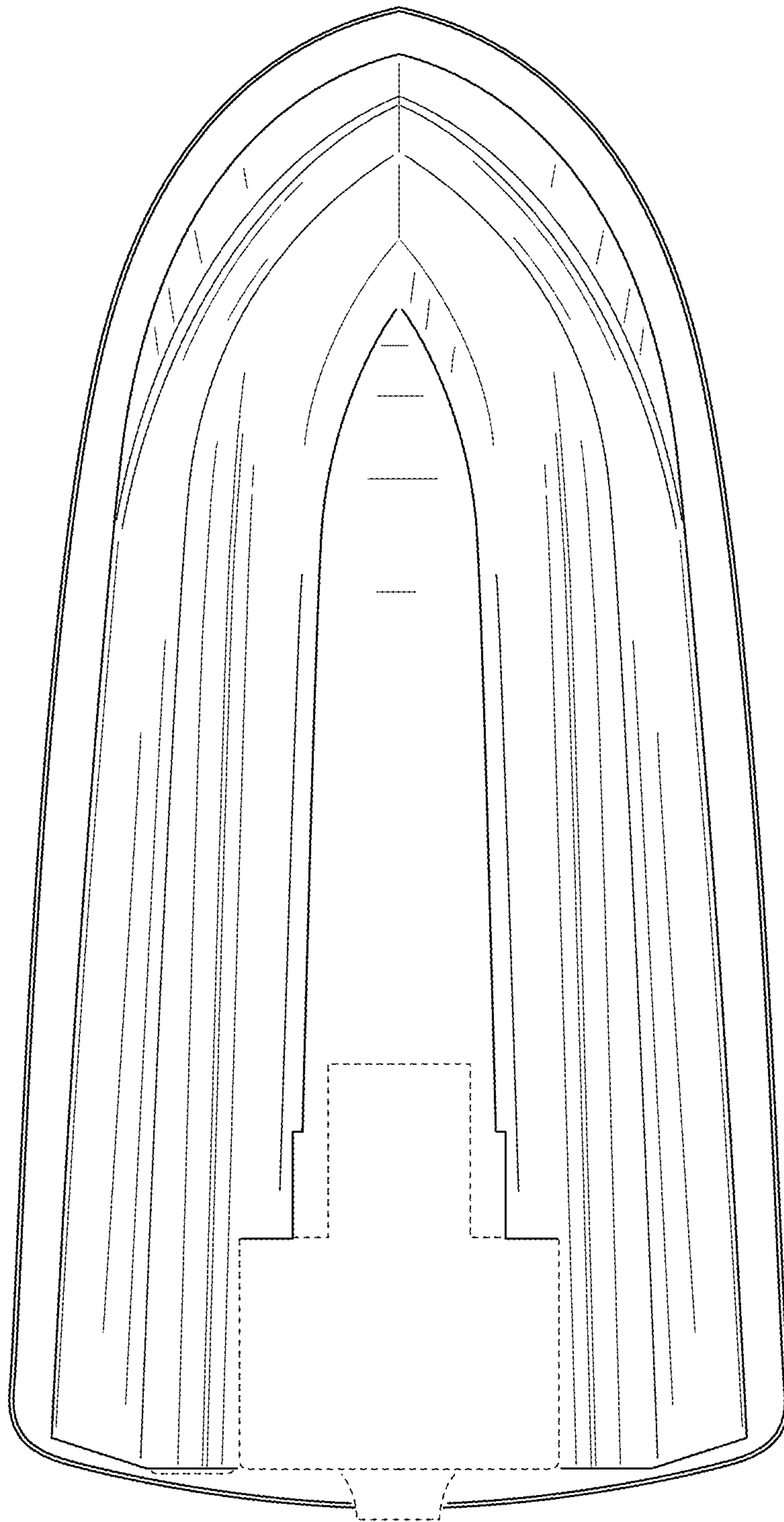


FIG. 7