

US00D739327S

(12) **United States Design Patent**
Wagener

(10) **Patent No.:** **US D739,327 S**

(45) **Date of Patent:** **** Sep. 22, 2015**

(54) **WHEEL OR WHEEL COVER**

(71) Applicant: **Daimler AG**, Stuttgart (DE)

(72) Inventor: **Gorden Wagener**, Gaeufelden (DE)

(73) Assignee: **Daimler AG**, Stuttgart (DE)

(**) Term: **14 Years**

(21) Appl. No.: **29/507,428**

(22) Filed: **Oct. 28, 2014**

(30) **Foreign Application Priority Data**

Apr. 29, 2014 (EM) 002454678-0002

(51) **LOC (10) Cl.** **12-16**

(52) **U.S. Cl.**
USPC **D12/209**

(58) **Field of Classification Search**
USPC D12/204–213
CPC B60B 7/00; B60B 7/02; B60B 7/04;
B60B 7/01; B60B 7/06; B60B 3/02; B60B
3/04; B60B 3/06; B60B 3/10; B60B 1/00;
B60B 1/08; B60B 1/10; B60B 1/12
See application file for complete search history.

(56) **References Cited**

U.S. PATENT DOCUMENTS

D411,502 S * 6/1999 Chung D12/211
D418,797 S * 1/2000 Chung D12/209
D419,947 S * 2/2000 Chung D12/211

D431,222 S * 9/2000 Vian D12/209
D436,914 S * 1/2001 Vian D12/211
D444,119 S * 6/2001 Brintouch D12/211
D450,287 S * 11/2001 Lee D12/209
D451,467 S * 12/2001 Chung D12/211
D469,729 S * 2/2003 Brintouch D12/209
D481,346 S * 10/2003 Vian D12/211
D638,763 S * 5/2011 Chung D12/209
D667,767 S * 9/2012 Gotschke D12/209
D671,479 S * 11/2012 Gonser D12/209
D705,152 S * 5/2014 Nakamura D12/209
D707,165 S * 6/2014 Wheel D12/209
D718,204 S * 11/2014 Johnson D12/209
D727,822 S * 4/2015 Wheel D12/209

* cited by examiner

Primary Examiner — Stacia Cadmus

(74) *Attorney, Agent, or Firm* — Crowell & Moring LLP

(57) **CLAIM**

The ornamental design for a wheel or wheel cover, as shown and described.

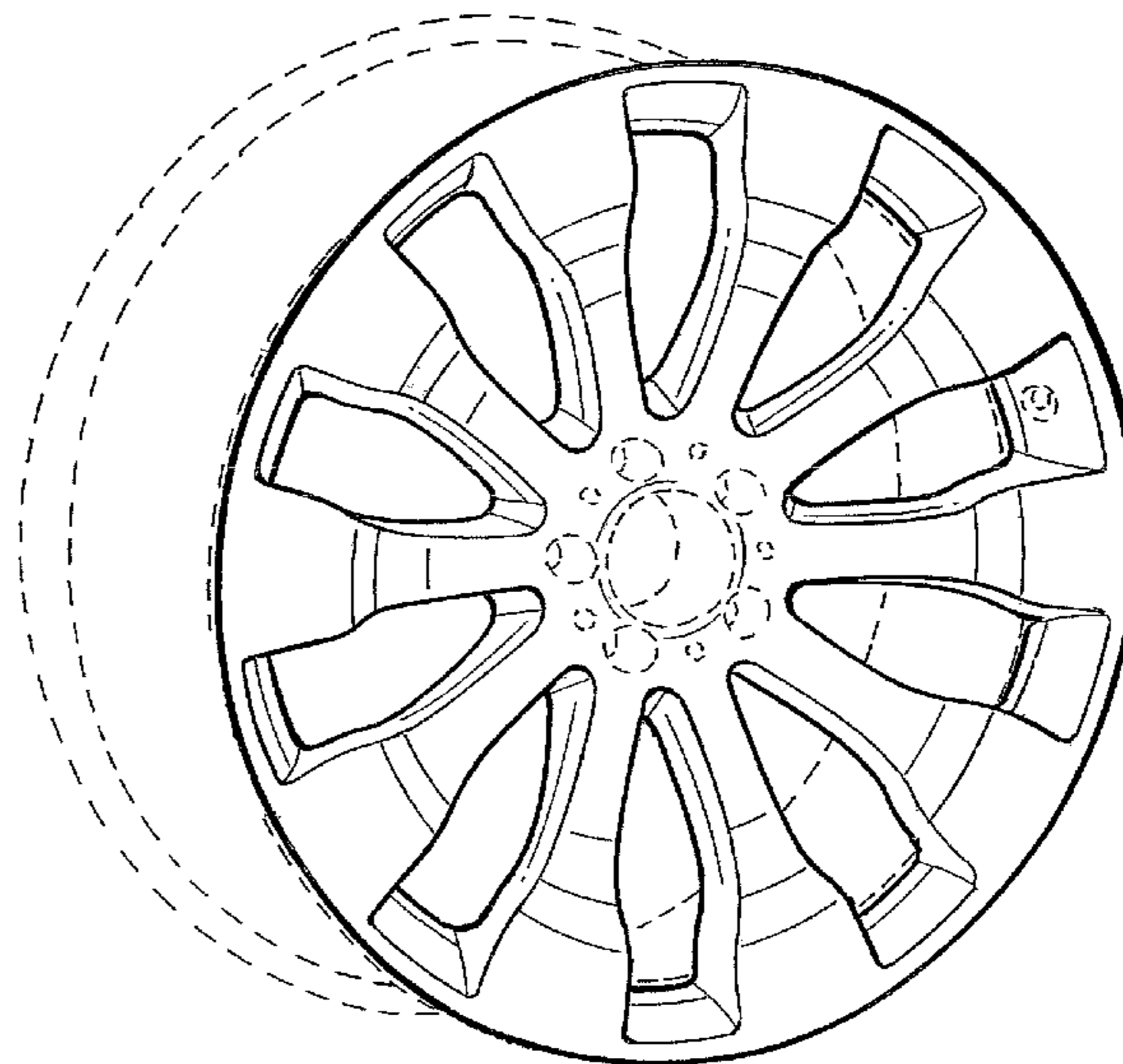
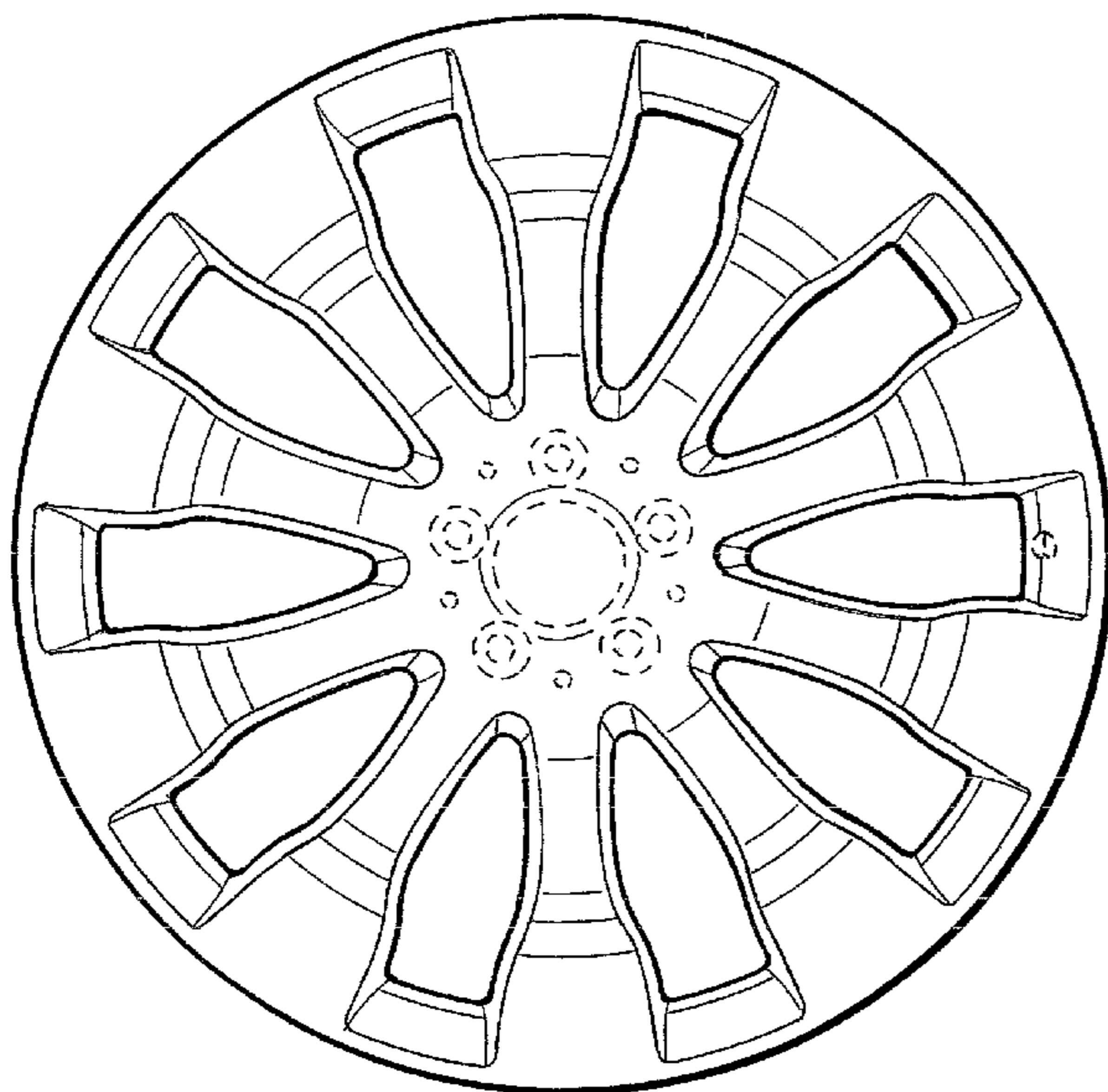
DESCRIPTION

FIG. 1 is a front view of a wheel or wheel cover according to the design; and,

FIG. 2 is a perspective view thereof.

The broken line showing of the rear of the wheel, the valve stem hole, and the bolt holes and center hole in the central hub area is included for the purpose of illustrating environment and forms no part of the claimed design.

1 Claim, 1 Drawing Sheet



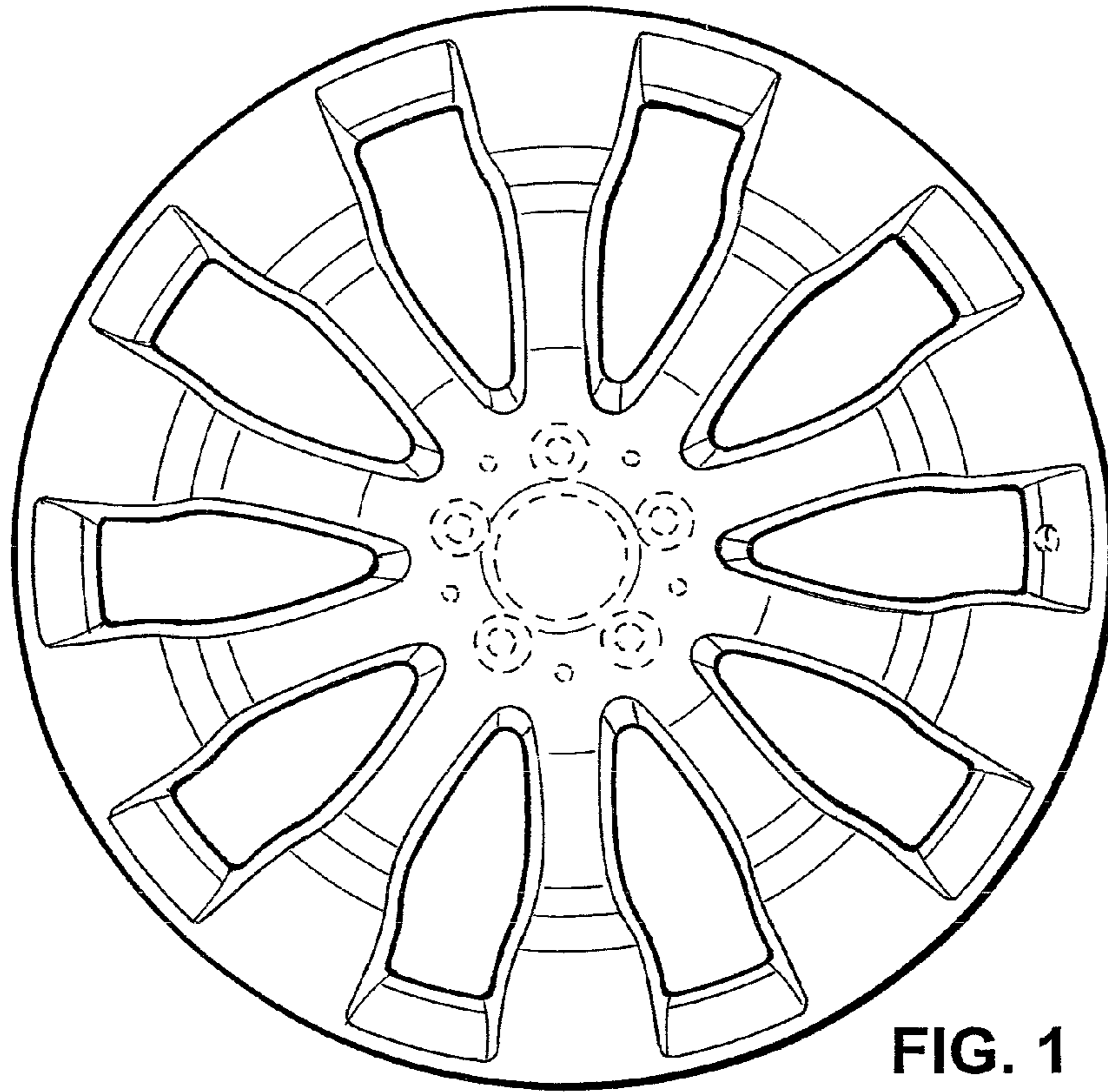


FIG. 1

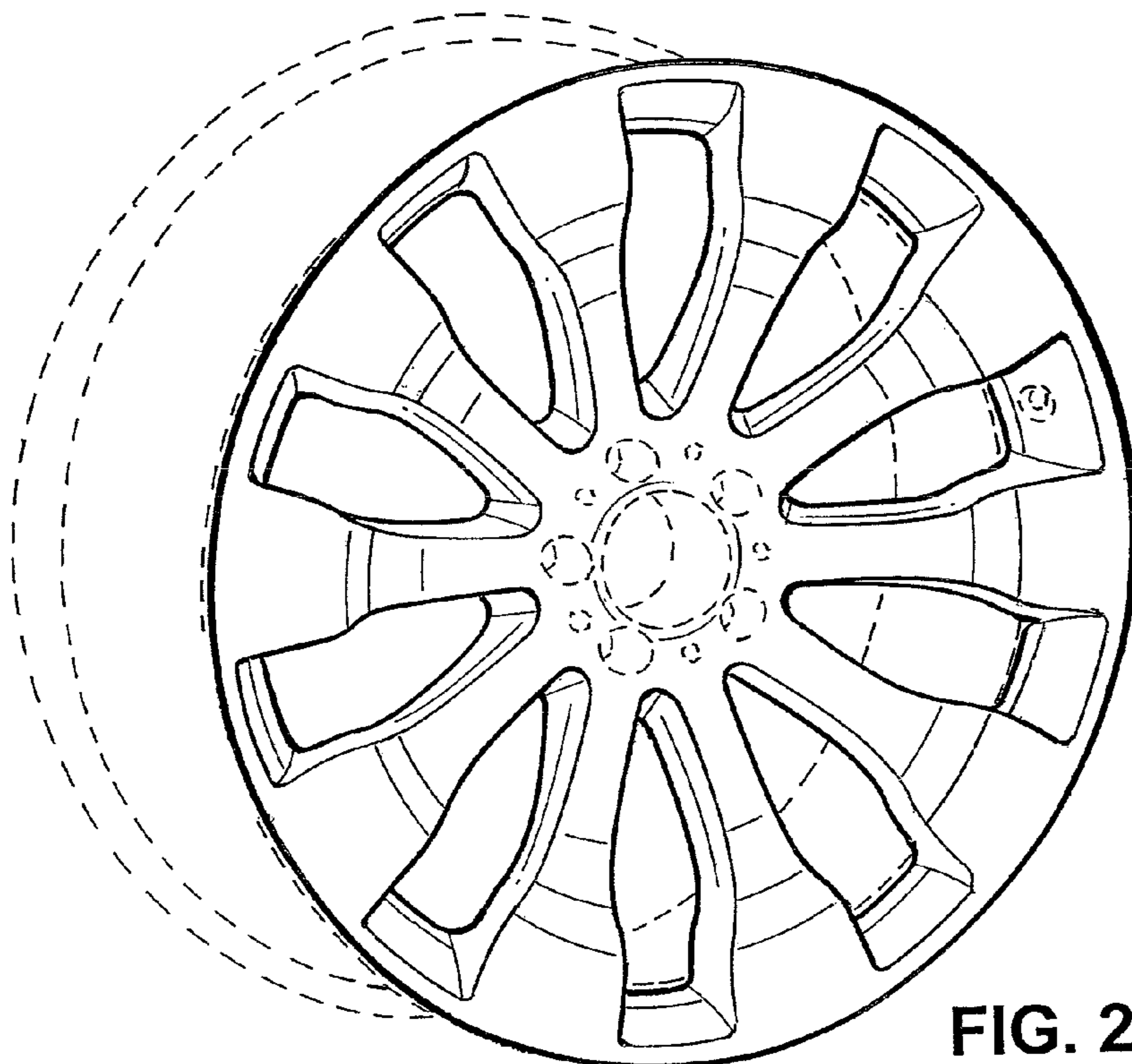


FIG. 2