



US00D739322S

(12) **United States Design Patent**
Villareal

(10) **Patent No.:** **US D739,322 S**
(45) **Date of Patent:** **** Sep. 22, 2015**

- (54) **RUNNING BOARD**
- (71) Applicant: **Steelcraft Group**, Corona, CA (US)
- (72) Inventor: **Alex Villareal**, Corona, CA (US)
- (73) Assignee: **Steelcraft Group**, Corona, CA (US)
- (**) Term: **14 Years**
- (21) Appl. No.: **29/490,072**
- (22) Filed: **May 6, 2014**
- (51) **LOC (10) Cl.** **12-16**
- (52) **U.S. Cl.**
USPC **D12/203**
- (58) **Field of Classification Search**
USPC D12/89, 203, 314; 182/64.1, 127;
280/5.3, 163, 164.2, 166, 169, 291;
D25/62, 63, 68, 69; D21/673, 679,
D21/681, 682
CPC B60R 3/00; B60R 3/002; B60R 3/005;
B60R 3/007; B60R 3/02; B60R 9/00; B60R
9/02; B60R 9/048; B60R 13/04; B23P 11/00
See application file for complete search history.

(56) **References Cited**

U.S. PATENT DOCUMENTS

D340,905	S	*	11/1993	Orth et al.	D12/203
D474,435	S	*	5/2003	Lund et al.	D12/203
D495,283	S	*	8/2004	Ashley et al.	D12/203
D535,928	S	*	1/2007	Crandall	D12/203
7,287,770	B2	*	10/2007	Drabant et al.	280/163

D634,687	S	*	3/2011	Vukel	D12/203
D649,100	S	*	11/2011	Cheng	D12/203
D658,559	S	*	5/2012	Hodges	D12/203
D671,874	S	*	12/2012	Kekich et al.	D12/203
D676,368	S	*	2/2013	Cover	D12/203
8,448,968	B1	*	5/2013	Grote et al.	280/163
8,641,068	B1	*	2/2014	Bundy	280/163
2011/0266766	A1	*	11/2011	Huang-Tsai	280/169
2012/0104718	A1	*	5/2012	Alvarez et al.	280/163

* cited by examiner

Primary Examiner — George D Kirschbaum

Assistant Examiner — Natasha Vujcic

(74) *Attorney, Agent, or Firm* — Lerner, David, Littenberg, Krumholz & Mentlik, LLP

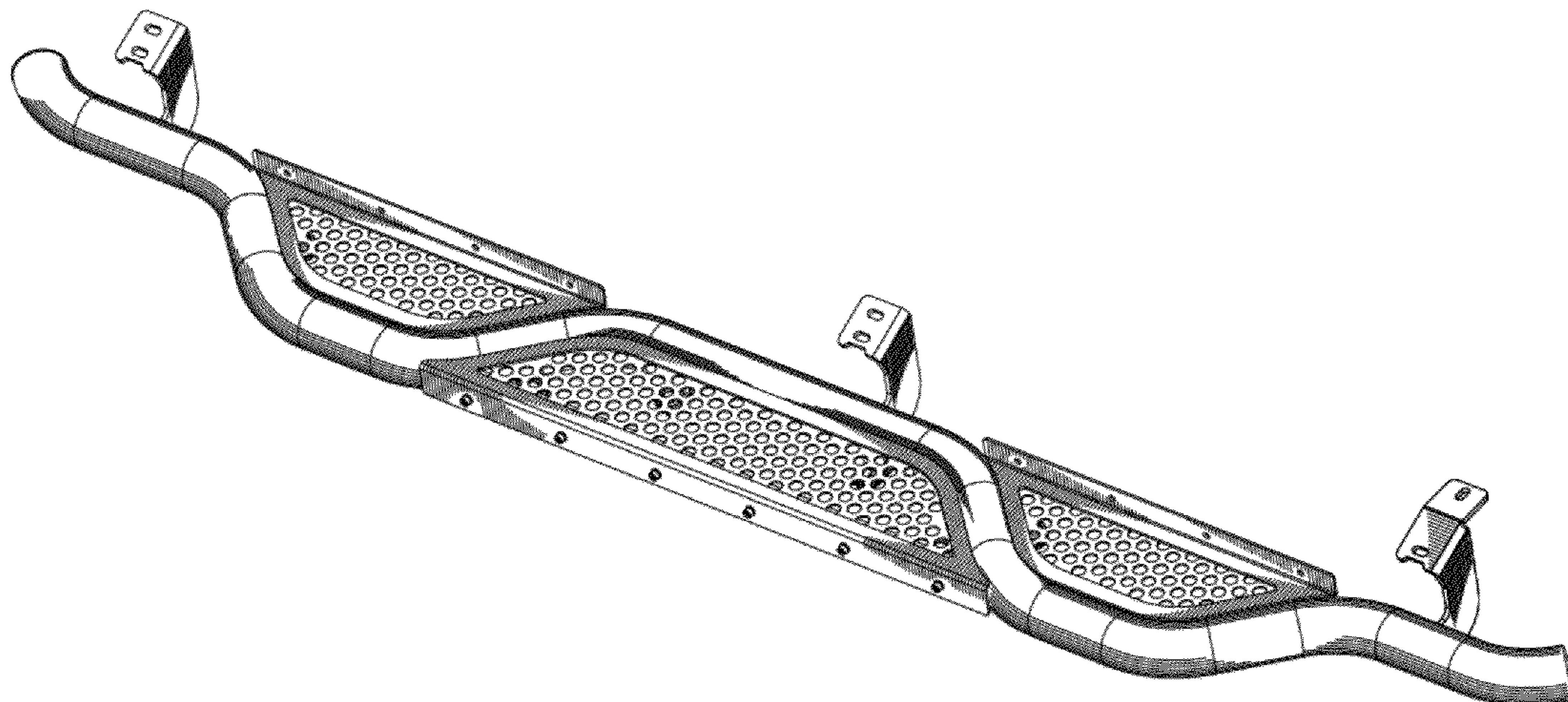
(57) **CLAIM**

The ornamental design for a running board, as shown and described.

DESCRIPTION

FIG. 1 is a front elevational view of a running board showing my new design;
 FIG. 2 is a rear elevational view thereof;
 FIG. 3 is a left side view thereof;
 FIG. 4 is a right side view thereof;
 FIG. 5 is a top plan view thereof;
 FIG. 6 is a bottom plan view thereof;
 FIG. 7 is a perspective view thereof;
 FIG. 8 is a bottom perspective view thereof; and,
 FIG. 9 is an enlarged fragmentary view of the encircled region of FIG. 8.

1 Claim, 5 Drawing Sheets



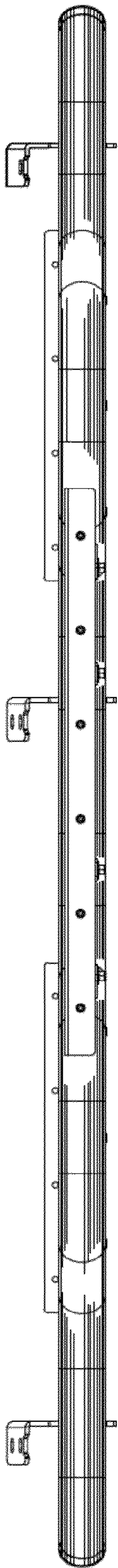


FIG. 1

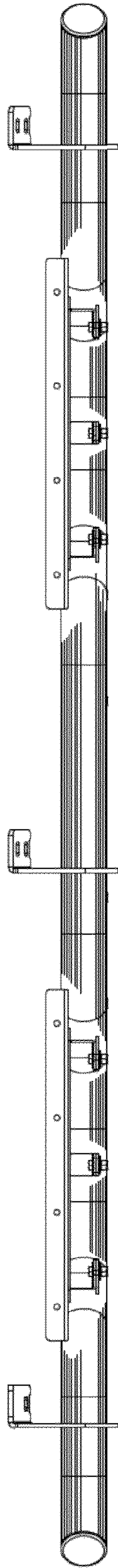


FIG. 2

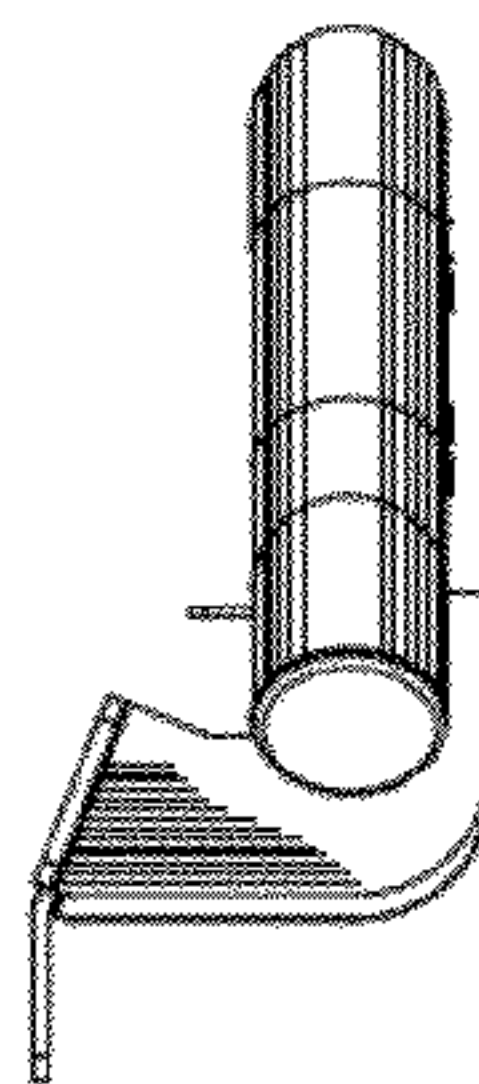


FIG. 3

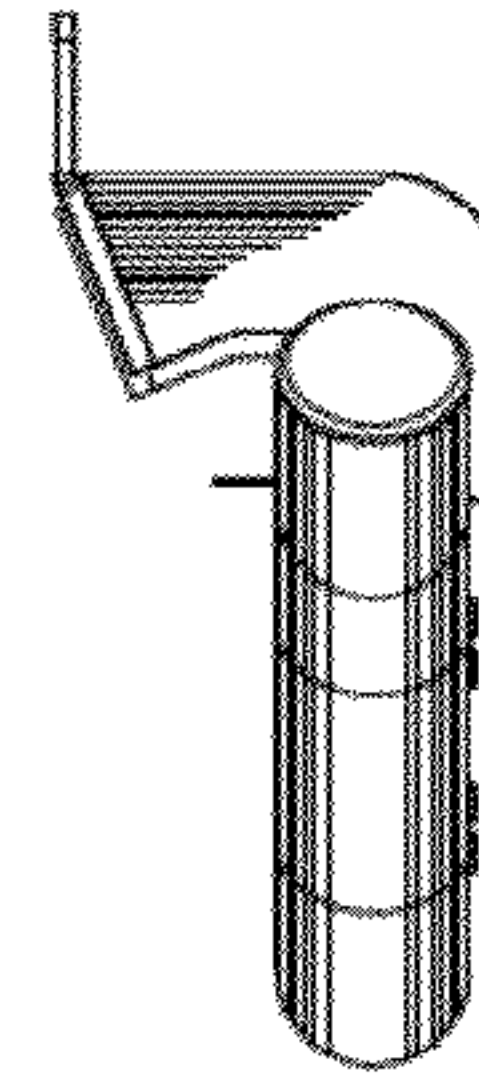


FIG. 4

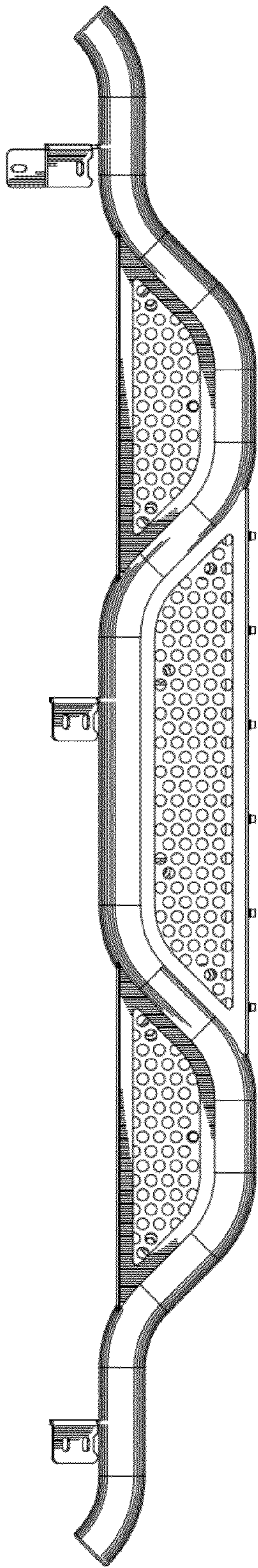


FIG. 5

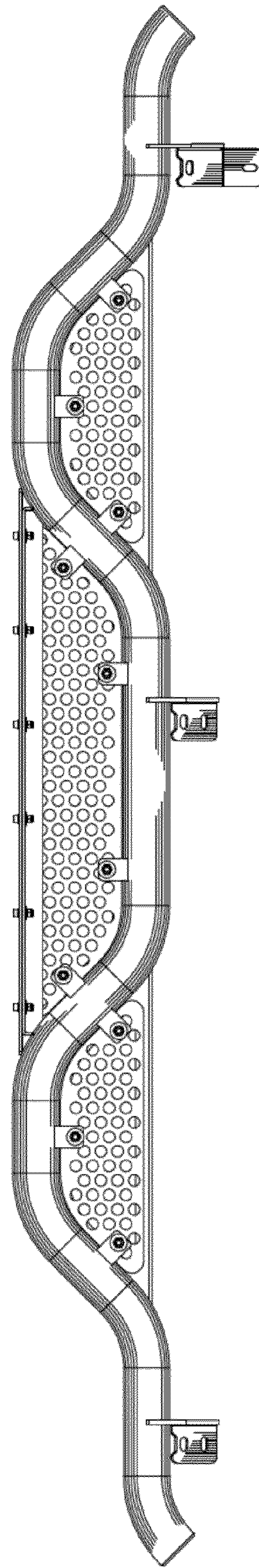


FIG. 6

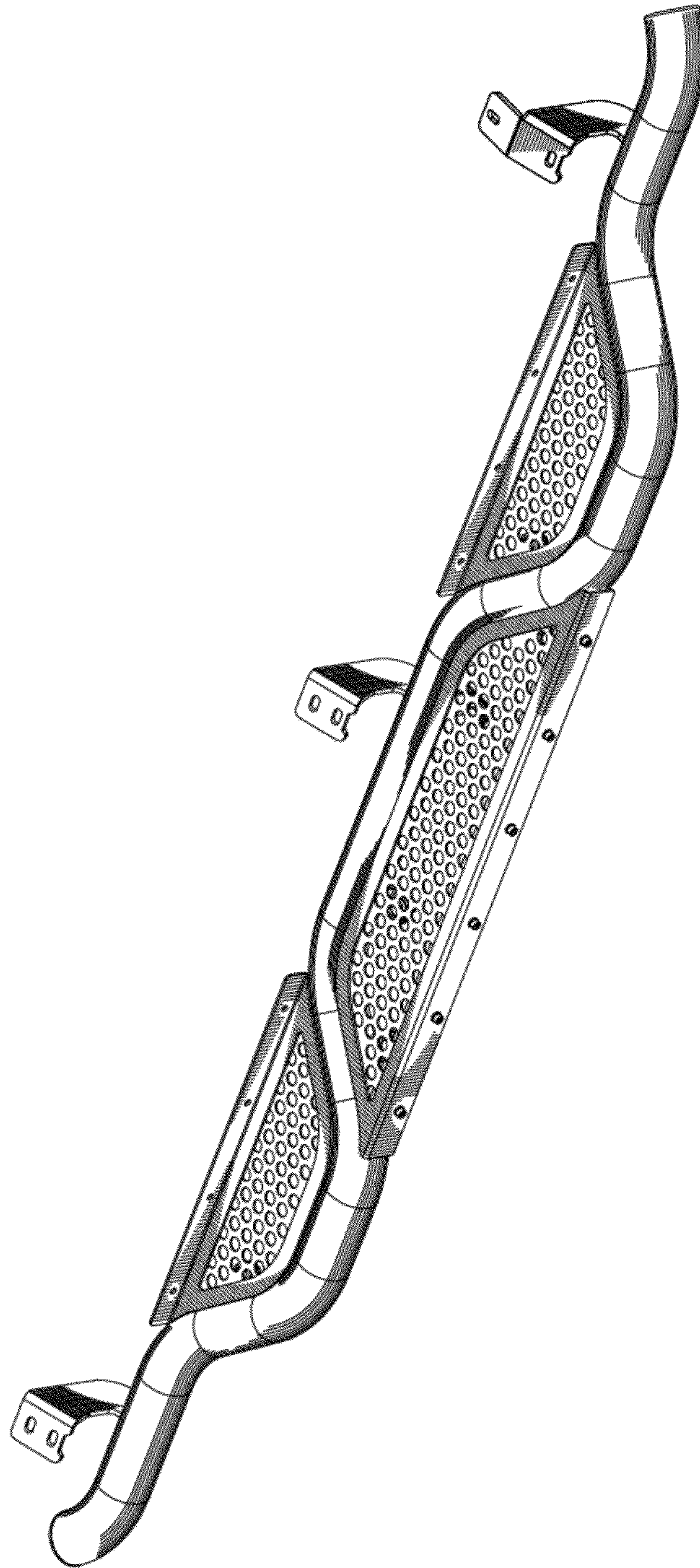


FIG. 7

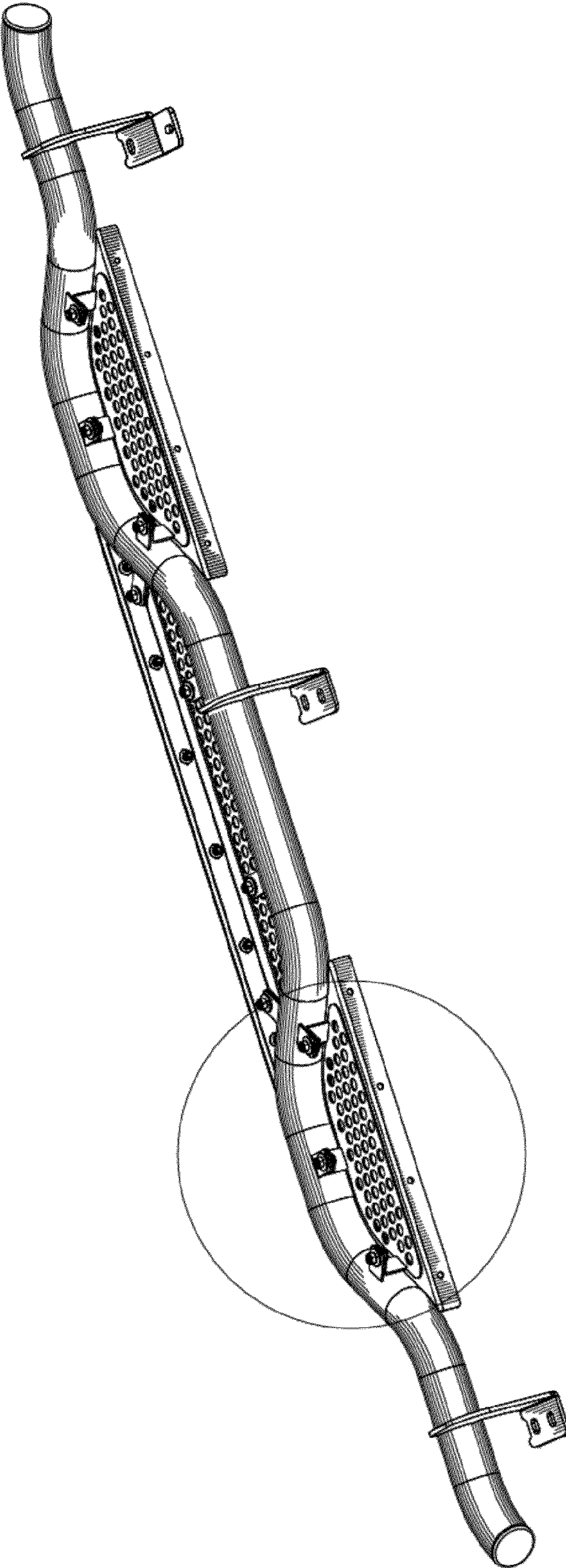


FIG. 8

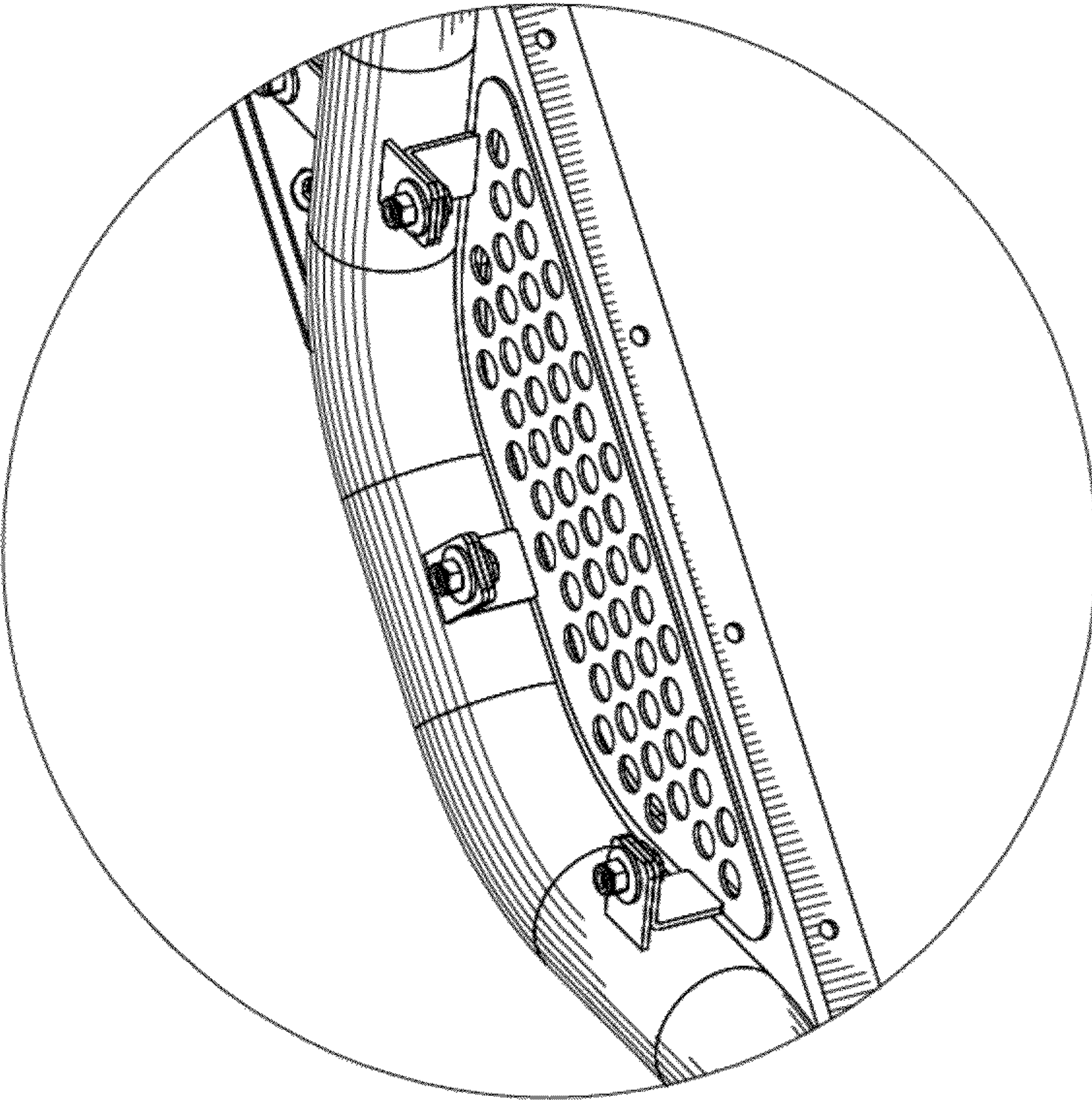


FIG. 9