



US00D739319S

(12) **United States Design Patent**
Montgomery

(10) **Patent No.:** **US D739,319 S**

(45) **Date of Patent:** **** Sep. 22, 2015**

(54) **BRAKE CALIPER COVER**

(71) Applicant: **John Montgomery**, Greenville, SC (US)

(72) Inventor: **John Montgomery**, Greenville, SC (US)

(**) Term: **14 Years**

(21) Appl. No.: **29/477,633**

(22) Filed: **Dec. 24, 2013**

(51) **LOC (10) Cl.** **12-16**

(52) **U.S. Cl.**
USPC **D12/180**

(58) **Field of Classification Search**
USPC D12/180
See application file for complete search history.

(56) **References Cited**

U.S. PATENT DOCUMENTS

D603,767	S	*	11/2009	Crippa et al.	D12/180
D610,507	S	*	2/2010	Azimonti	D12/180
D630,141	S	*	1/2011	Chen	D12/180
D642,100	S	*	7/2011	Crippa et al.	D12/180
8,205,726	B2	*	6/2012	Schorn et al.	188/73.37
D692,356	S	*	10/2013	Owen et al.	D12/180

D700,551	S	*	3/2014	Davenport, III	D12/180
D705,709	S	*	5/2014	Hetland	D12/180
D712,809	S	*	9/2014	Kloos	D12/180
2007/0119666	A1	*	5/2007	Barbosa et al.	188/73.46
2007/0278049	A1	*	12/2007	Kobayashi et al.	188/73.39

* cited by examiner

Primary Examiner — Katrina A Betton

(74) *Attorney, Agent, or Firm* — QuickPatents; Kevin Prince

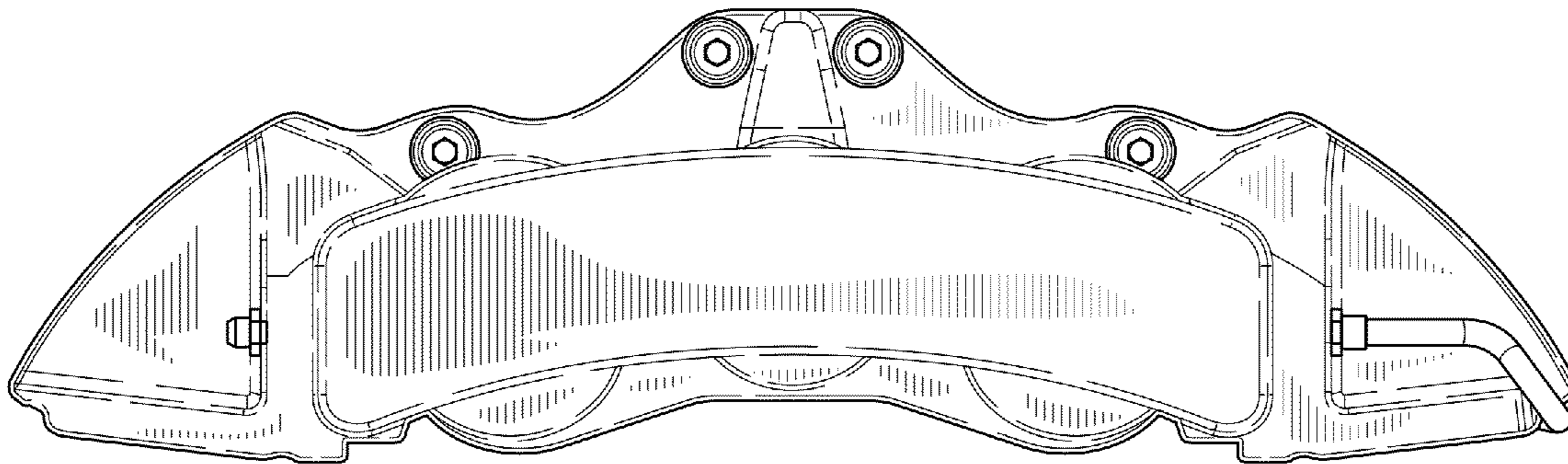
(57) **CLAIM**

I claim the ornamental design for a brake caliper cover, as shown and described.

DESCRIPTION

FIG. 1 is a front perspective view of a brake caliper cover, showing my new design;
FIG. 2 is a front elevational view thereof;
FIG. 3 is a rear elevational view thereof;
FIG. 4 is a right-side elevational view thereof;
FIG. 5 is a left-side elevational view thereof;
FIG. 6 is a top plan view thereof;
FIG. 7 is a bottom plan view thereof; and,
FIG. 8 is a rear perspective view thereof.

1 Claim, 4 Drawing Sheets



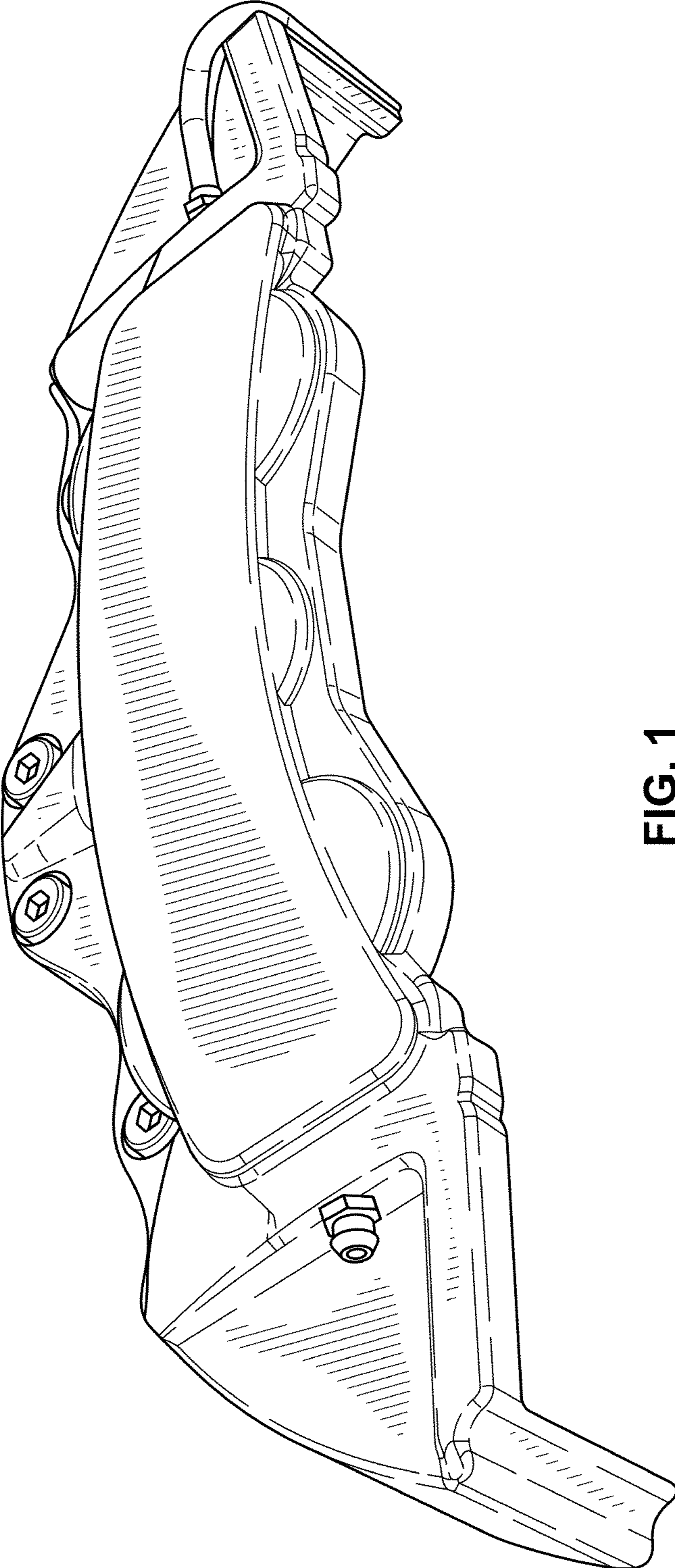


FIG. 1

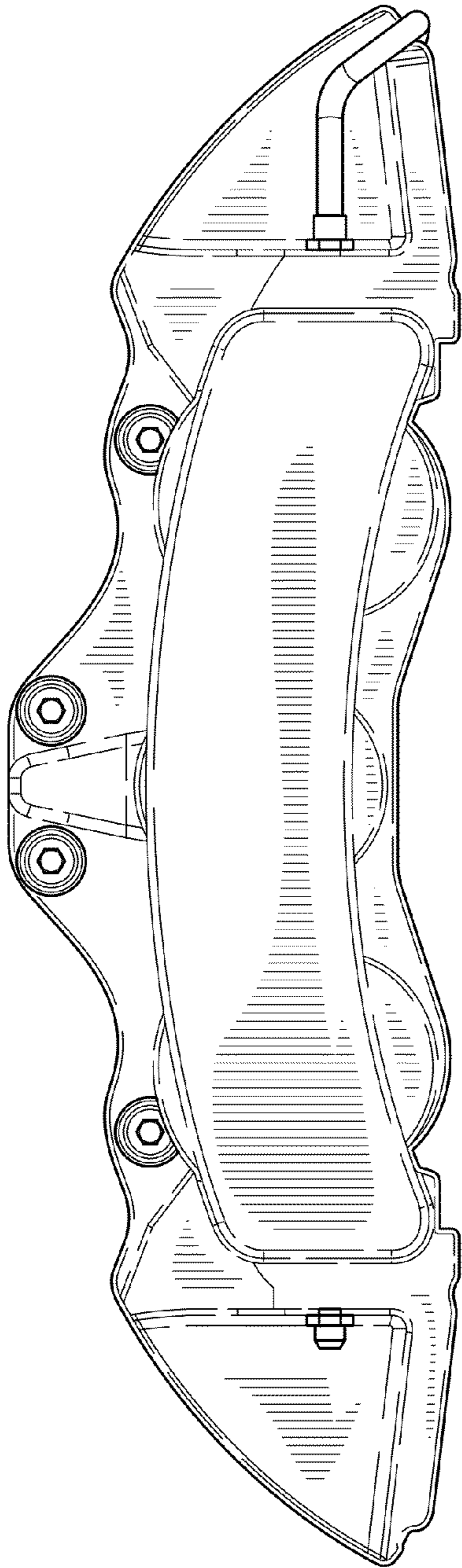


FIG. 2

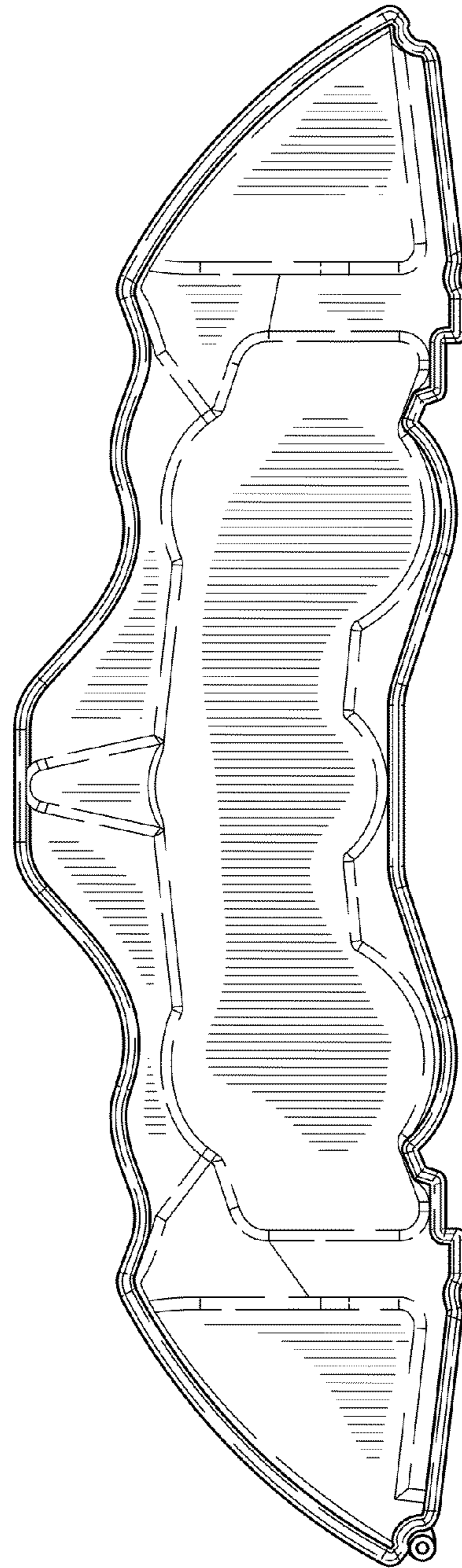


FIG. 3

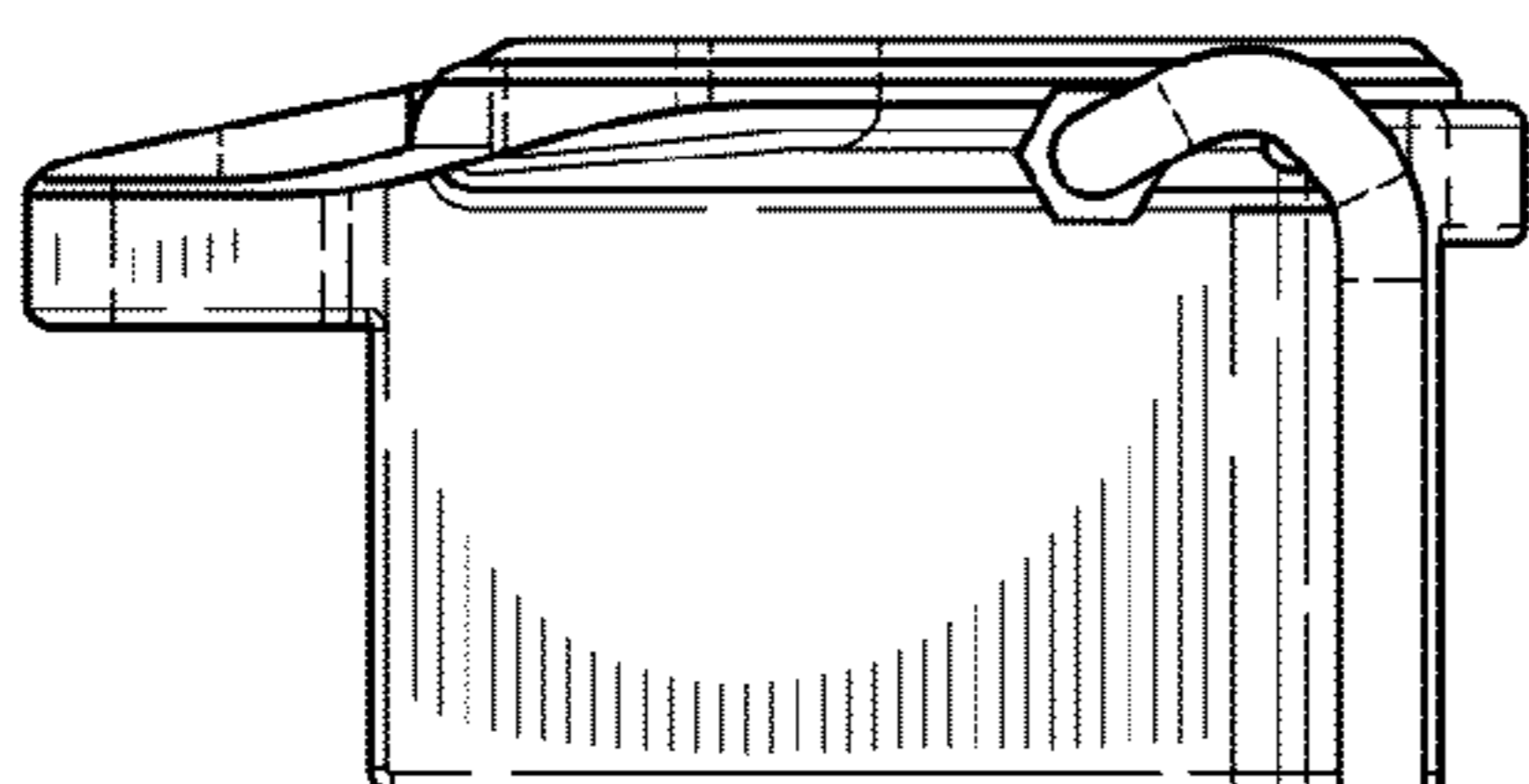


FIG. 5

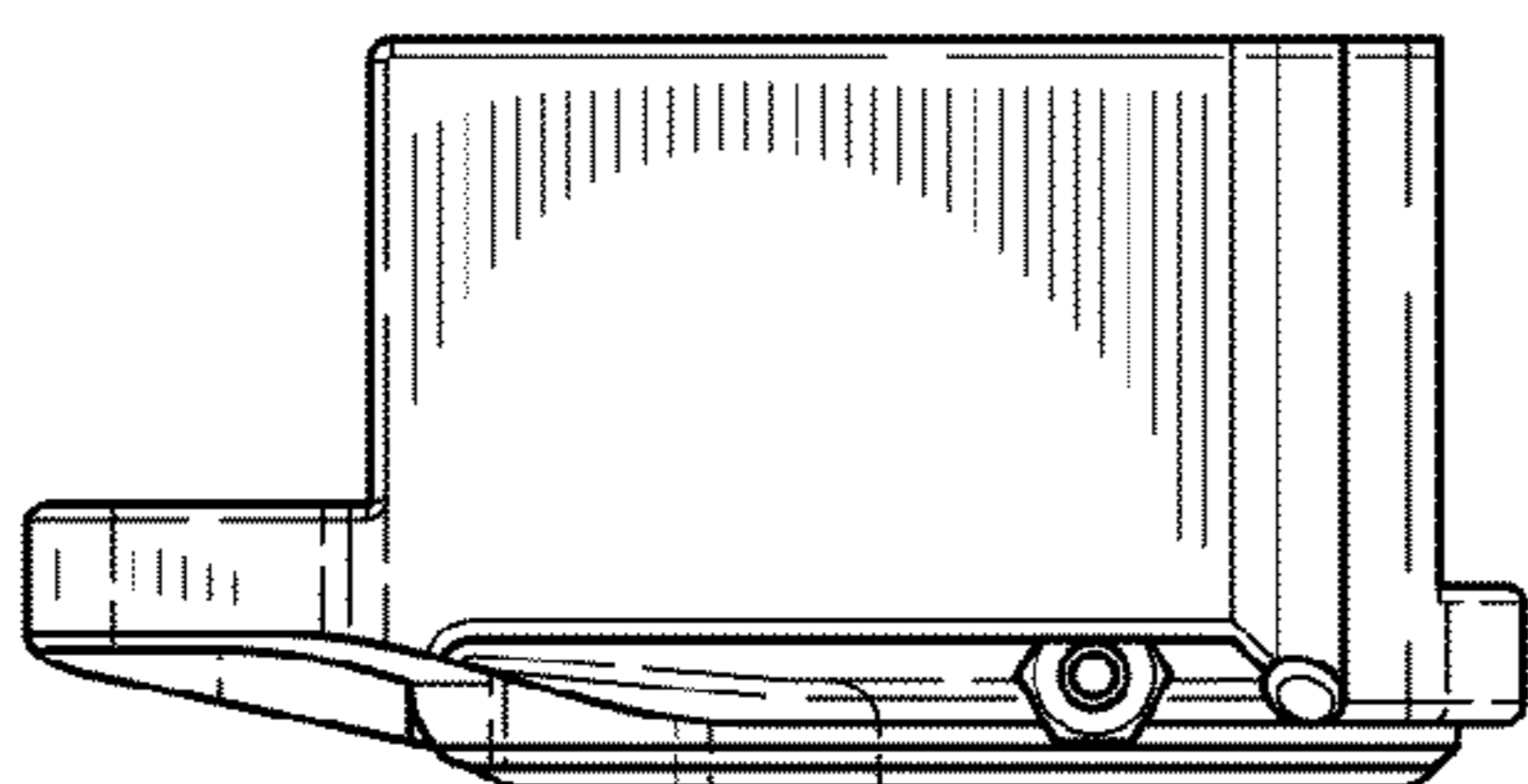


FIG. 4

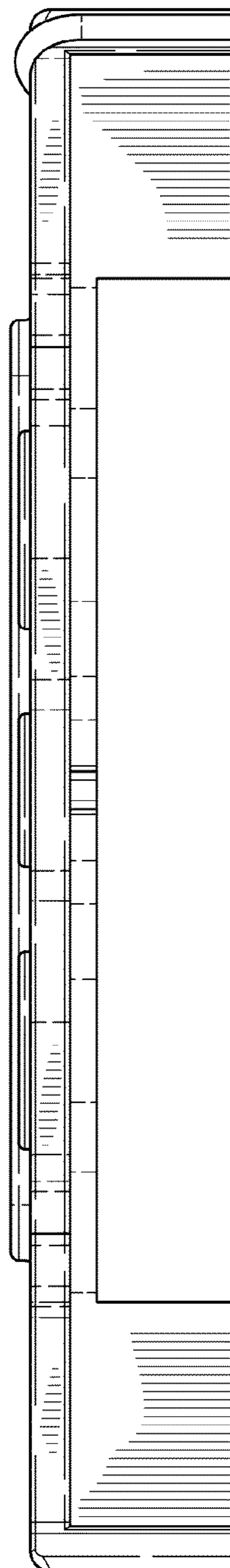


FIG. 6

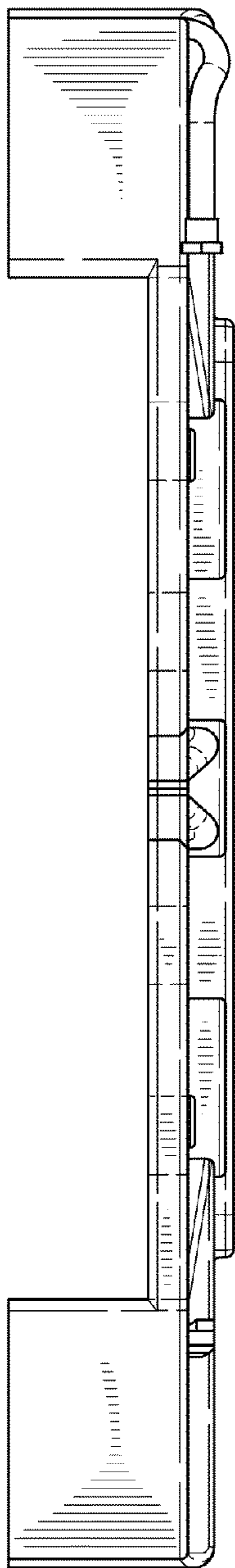


FIG. 7

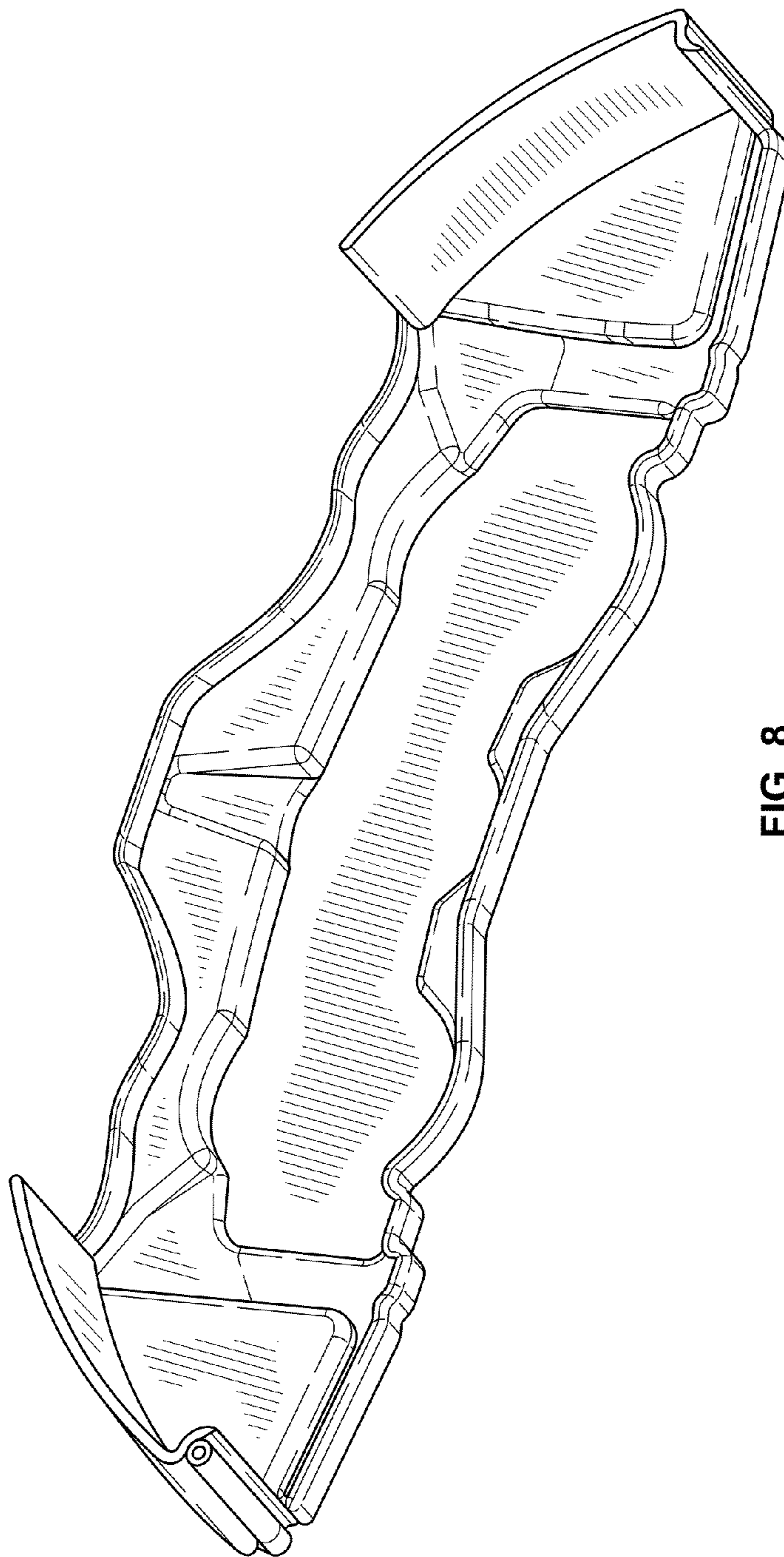


FIG. 8