

US00D739317S

(12) **United States Design Patent**
McMahan et al.

(10) **Patent No.:** **US D739,317 S**
(45) **Date of Patent:** **** Sep. 22, 2015**

- (54) **VEHICLE HOOD**
- (71) Applicant: **GM GLOBAL TECHNOLOGY OPERATIONS LLC**, Detroit, MI (US)
- (72) Inventors: **Robert B. McMahan**, Bloomfield Hills, MI (US); **Brendon C. Mackay**, Shelby Township, MI (US); **Daniel E. Schmeckpeper**, Clarkston, MI (US)
- (73) Assignee: **GM Global Technology Operations LLC**, Detroit, MI (US)
- (**) Term: **14 Years**
- (21) Appl. No.: **29/507,594**
- (22) Filed: **Oct. 29, 2014**
- (51) **LOC (10) Cl.** **12-16**
- (52) **U.S. Cl.**
USPC **D12/173**
- (58) **Field of Classification Search**
USPC D12/173, 196, 86, 90-92, 181;
180/69.21, 69.2, 69.22
CPC B62D 25/10; B60Q 1/00
See application file for complete search history.

- D707,595 S * 6/2014 Kavaja D12/173
- D710,768 S * 8/2014 Ishizuka et al. D12/173
- D712,323 S * 9/2014 Mays et al. D12/173
- D718,684 S * 12/2014 Thole et al. D12/173
- D721,307 S * 1/2015 Platto et al. D12/173

OTHER PUBLICATIONS

Design U.S. Appl. No. 29/466,620, filed Sep. 10, 2013; First Named Inventor: Louis D. Thole; Title: Vehicle Hood; 3 pages.
 Design U.S. Appl. No. 29/478,501, filed Jan. 6, 2014; First Named Inventor: Robert B. McMahan; Title: Vehicle Body Exterior; 7 pages.
 Design U.S. Appl. No. 29/498,242, filed Aug. 1, 2014; First Named Inventor: Brian J. Smith; Title: Vehicle Hood; 3 pages.
 Design U.S. Appl. No. 29/500,886, filed Aug. 29, 2014; First Named Inventor: Louis D. Thole; Title: Vehicle Hood; 3 pages.
 Design U.S. Appl. No. 29/503,863, filed Sep. 30, 2014; First Named Inventor: Robert B. McMahan; Title: Vehicle Hood; 2 pages.

* cited by examiner

Primary Examiner — Melody Brown

(74) *Attorney, Agent, or Firm* — Lionel D. Anderson; Reising Ethington P.C.

(57) **CLAIM**

The ornamental design for a vehicle hood, as shown and described.

DESCRIPTION

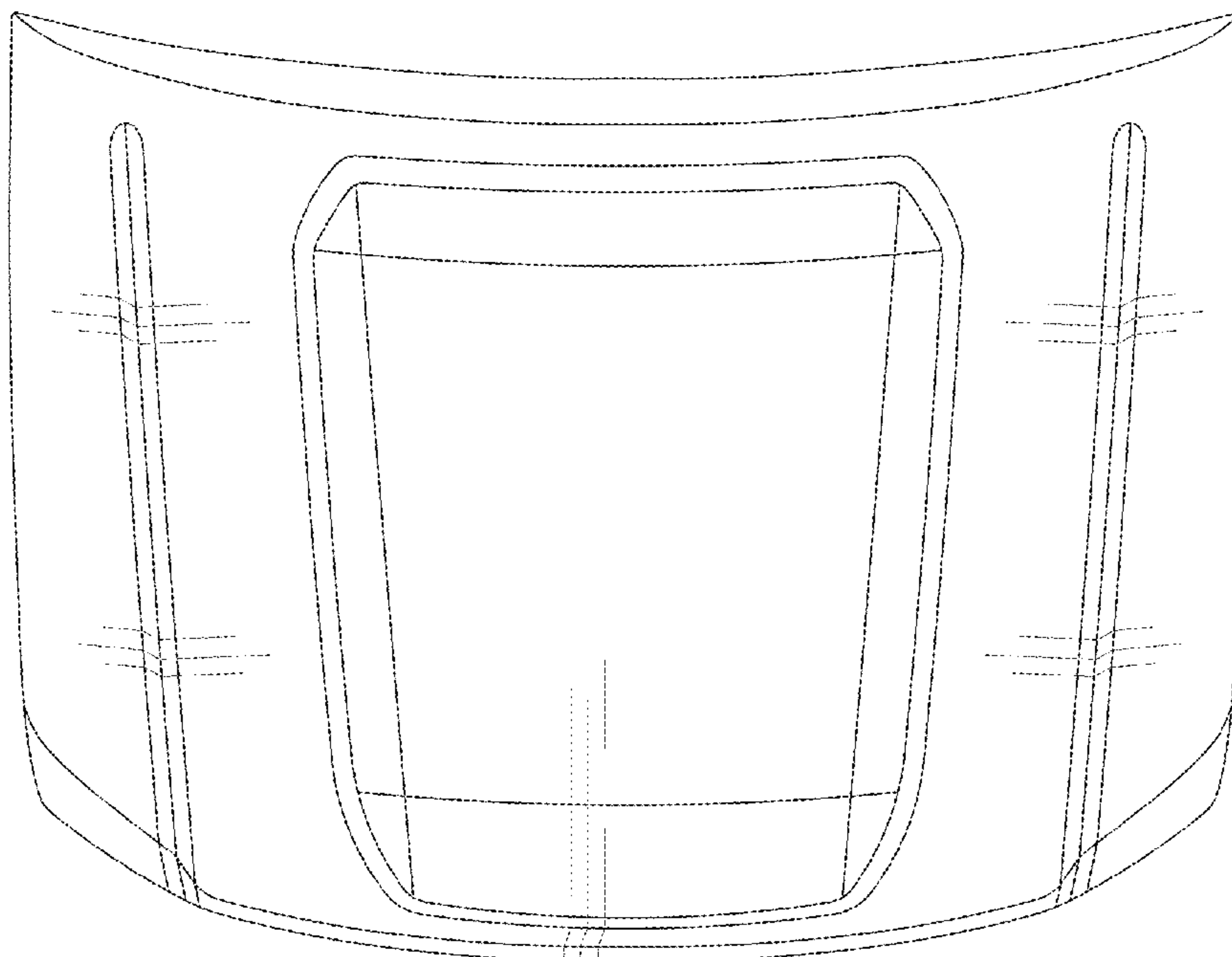
FIG. 1 is a perspective view of the vehicle hood;
 FIG. 2 is a left side elevation view thereof;
 FIG. 3 is a top plan view thereof; and,
 FIG. 4 is a front view thereof.
 The right side elevation view is omitted because the right side elevation view is identical to the left side elevation view.

1 Claim, 1 Drawing Sheet

(56) **References Cited**

U.S. PATENT DOCUMENTS

- D641,669 S * 7/2011 Vardis D12/173
- D687,357 S * 8/2013 Weil D12/173
- D692,812 S * 11/2013 Harriton D12/173
- D694,682 S * 12/2013 Johnson D12/173
- D701,807 S * 4/2014 Futschik et al. D12/173
- D706,185 S * 6/2014 Mackay D12/173



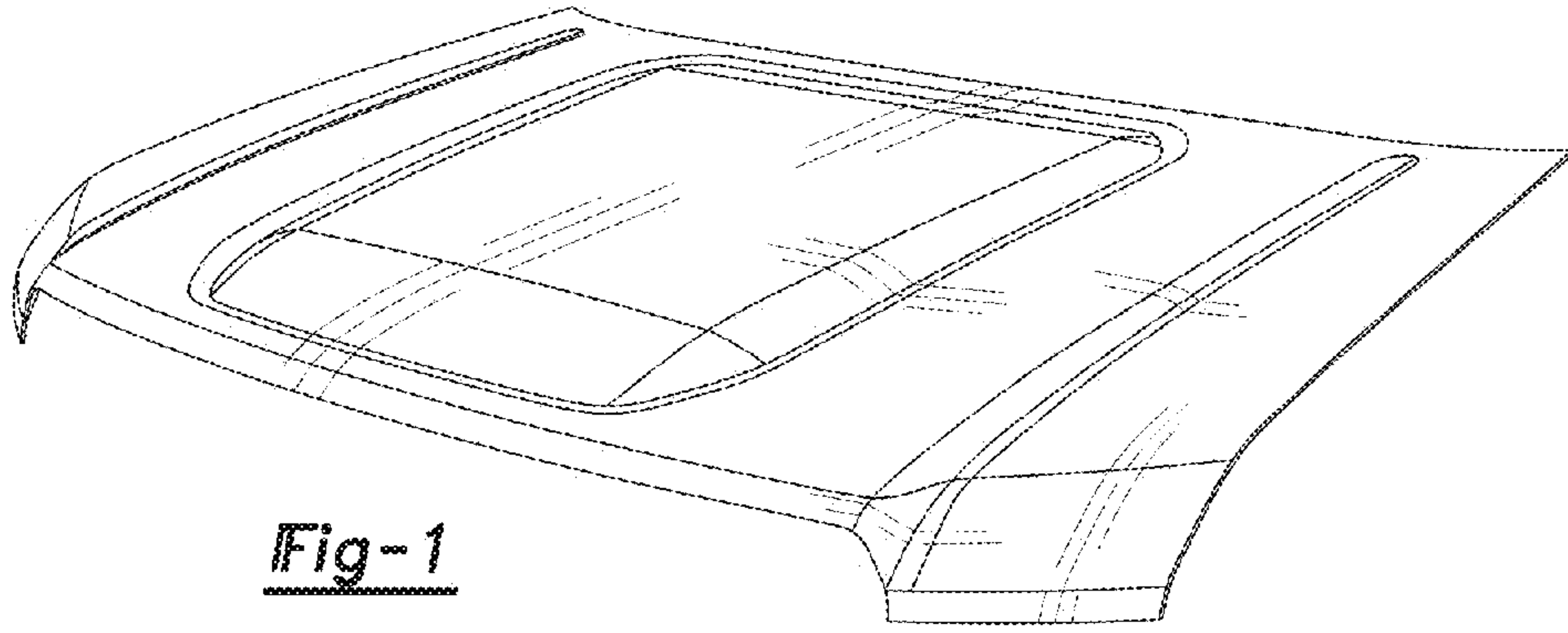


Fig-1

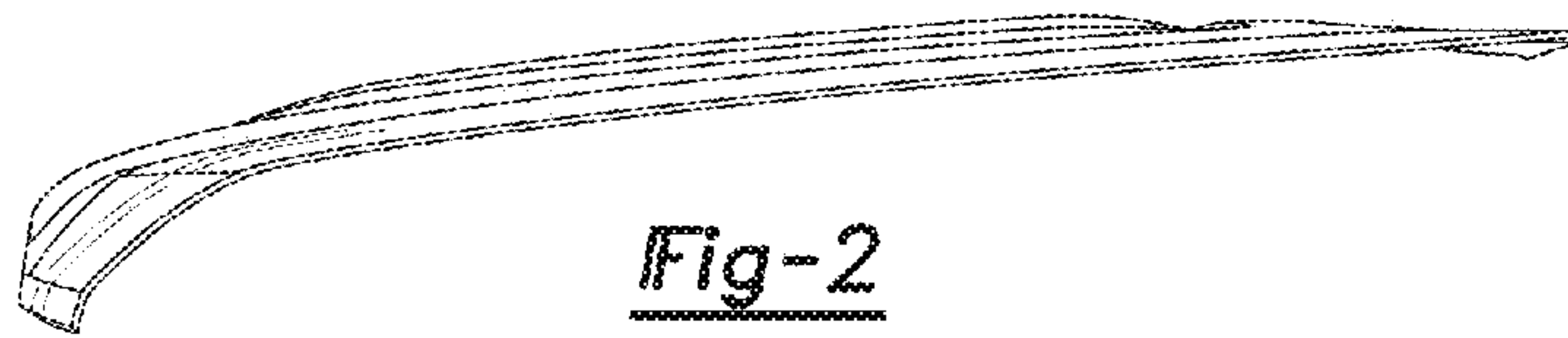


Fig-2

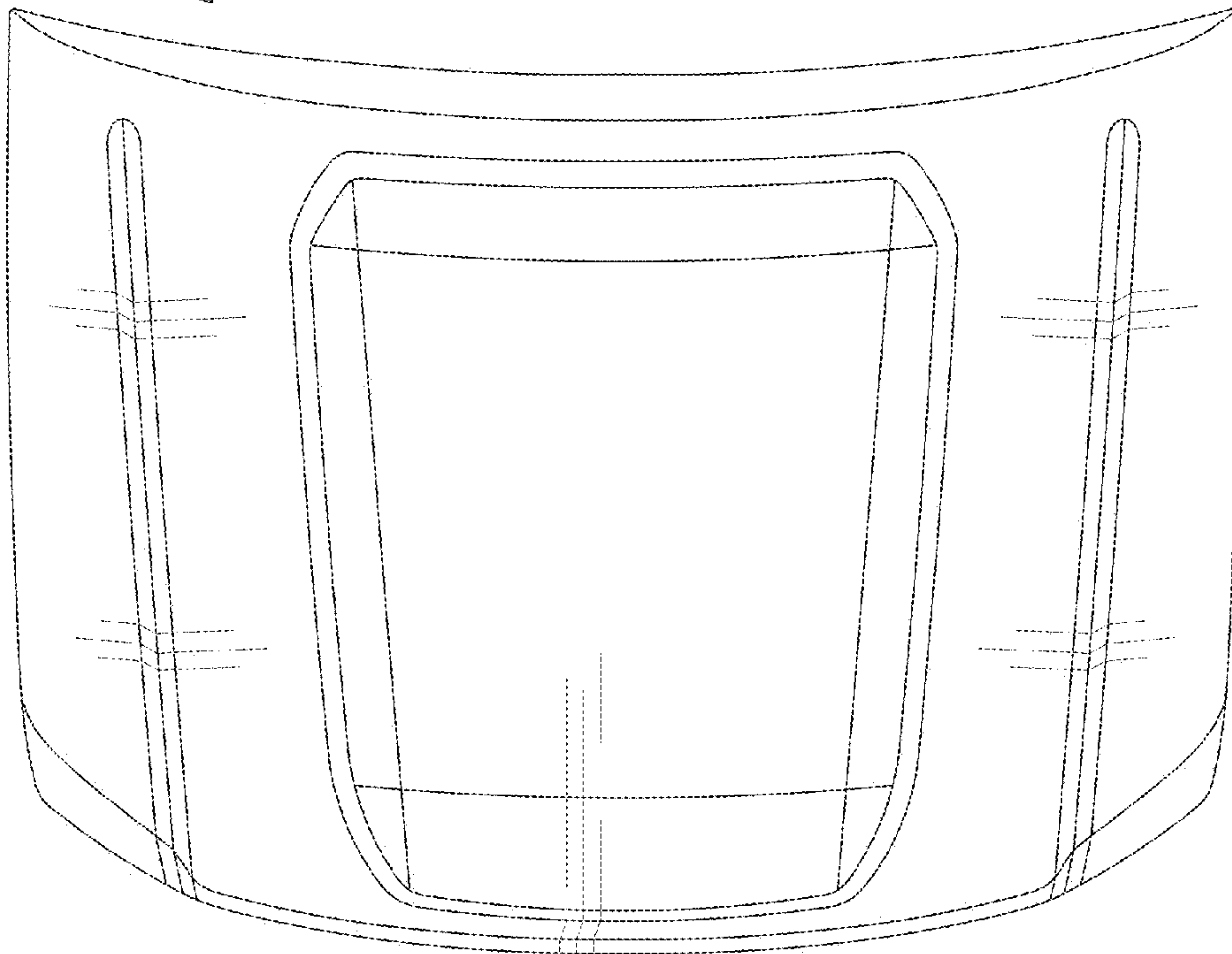


Fig-3

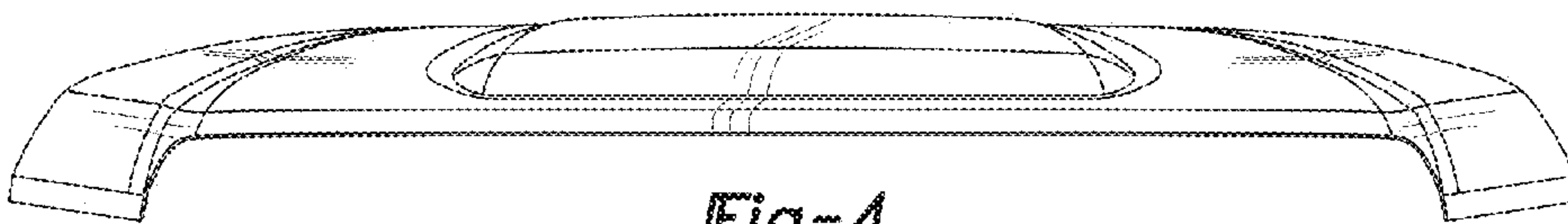


Fig-4