



US00D739314S

(12) **United States Design Patent**
Wang et al.

(10) **Patent No.:** **US D739,314 S**
(45) **Date of Patent:** **** Sep. 22, 2015**

(54) **ROLLATOR**
(71) Applicant: **Medline Industries, Inc.**, Mundelein, IL (US)

5,224,731 A 7/1993 Johnson
5,320,122 A 6/1994 Jacobson, II
5,364,120 A 11/1994 Shimansky
5,419,571 A 5/1995 Vaughan

(Continued)

(72) Inventors: **Zhiliang Wang**, Zhongshan (CN);
Margaret Mary Andersen, Chicago, IL (US); **Brian Monegas Ramirez**,
Chicago, IL (US)

FOREIGN PATENT DOCUMENTS

EP 2343035 8/2012
JP D1148308 7/2002

(Continued)

(73) Assignee: **Medline Industries, Inc.**, Mundelein, IL (US)

OTHER PUBLICATIONS

(**) Term: **14 Years**

PCT Patent Application No. PCT/US2013/068116; International Search Report and Written Opinion Dated Feb. 13, 2014.

(Continued)

(21) Appl. No.: **29/477,933**

(22) Filed: **Dec. 30, 2013**

(51) **LOC (10) Cl.** **12-12**

(52) **U.S. Cl.**
USPC **D12/130**

(58) **Field of Classification Search**
USPC D12/128-133; 280/62, 647-650, 29,
280/200, 47.38, 250.1, 259, 642, 658,
280/304.1; 128/99.1, 100.1

CPC A61G 5/10; A61G 5/08; A61G 5/00;
A61G 5/14; A61G 2005/1054; A61G
2005/0891; A61G 2005/0825; B62M 1/14
See application file for complete search history.

Primary Examiner — Ian Simmons

Assistant Examiner — Charles Hanson

(74) *Attorney, Agent, or Firm* — Fitch, Even, Tabin & Flannery LLP

(57) **CLAIM**

We claim the ornamental design for a rollator, as shown and described.

DESCRIPTION

FIG. 1 is a front perspective view of a rollator in accordance with our new design;
FIG. 2 is a rear perspective view thereof;
FIG. 3 is a right side elevational view thereof;
FIG. 4 is a left side elevational view thereof;
FIG. 5 is a front elevational view thereof;
FIG. 6 is a rear elevational view thereof;
FIG. 7 is a top plan view thereof; and,
FIG. 8 is a bottom plan view thereof.

The broken lines are included for the purpose of illustrating the unclaimed portions of the rollator and form no part of the claim.

1 Claim, 8 Drawing Sheets

(56) **References Cited**

U.S. PATENT DOCUMENTS

474,666 A 5/1892 Krehbiel
3,186,759 A 6/1965 Reeves
3,338,628 A 8/1967 Evans
4,211,309 A * 7/1980 Ruggiero 188/83
4,229,039 A 10/1980 Day
4,341,381 A * 7/1982 Norberg 482/67
D281,771 S * 12/1985 Webb D12/130
D289,507 S * 4/1987 Danielsson D12/130
5,058,912 A 10/1991 Harroun
5,060,967 A 10/1991 Hulterstrum



(56)

References Cited

U.S. PATENT DOCUMENTS

D360,174 S * 7/1995 Kjell et al. D12/130
 D367,833 S * 3/1996 Ahlbertz D12/130
 D372,890 S * 8/1996 Ferm et al. D12/130
 5,741,020 A 4/1998 Harroun
 D396,437 S * 7/1998 Liljedahl D12/130
 5,904,168 A 5/1999 Alulyan
 6,338,493 B1 1/2002 Wohlgemuth
 6,378,883 B1 4/2002 Epstein
 D503,909 S * 4/2005 Tolfesen et al. D12/130
 D519,423 S * 4/2006 Tolfesen D12/130
 7,192,043 B1 3/2007 McLuen
 7,219,906 B2 5/2007 Hallgrimsson
 7,306,246 B2 12/2007 Gale
 D560,563 S * 1/2008 Fransson et al. D12/130
 7,379,734 B2 5/2008 Sato
 7,484,740 B2 * 2/2009 Miller 280/87.021
 7,628,411 B2 12/2009 Meyers
 D623,992 S 9/2010 Derks
 D633,830 S 3/2011 Derks

7,918,473 B2 4/2011 Yao
 8,646,804 B2 2/2014 Derks
 2002/0079663 A1 6/2002 Hallgrimsson
 2004/0245737 A1 12/2004 Hallgrimsson
 2006/0284040 A1 12/2006 Nixon
 2007/0034243 A1 * 2/2007 Miller 135/67
 2007/0170699 A1 7/2007 Li
 2008/0111349 A1 5/2008 Willis
 2009/0033052 A1 2/2009 Bradshaw
 2010/0301574 A1 12/2010 Derks

FOREIGN PATENT DOCUMENTS

JP D1292289 1/2007
 TW D107853 11/2005
 TW D127741 3/2009

OTHER PUBLICATIONS

Taiwanese Search Report from TW102303182 Dated Jul. 17, 2014.

* cited by examiner

FIG. 1



FIG. 2

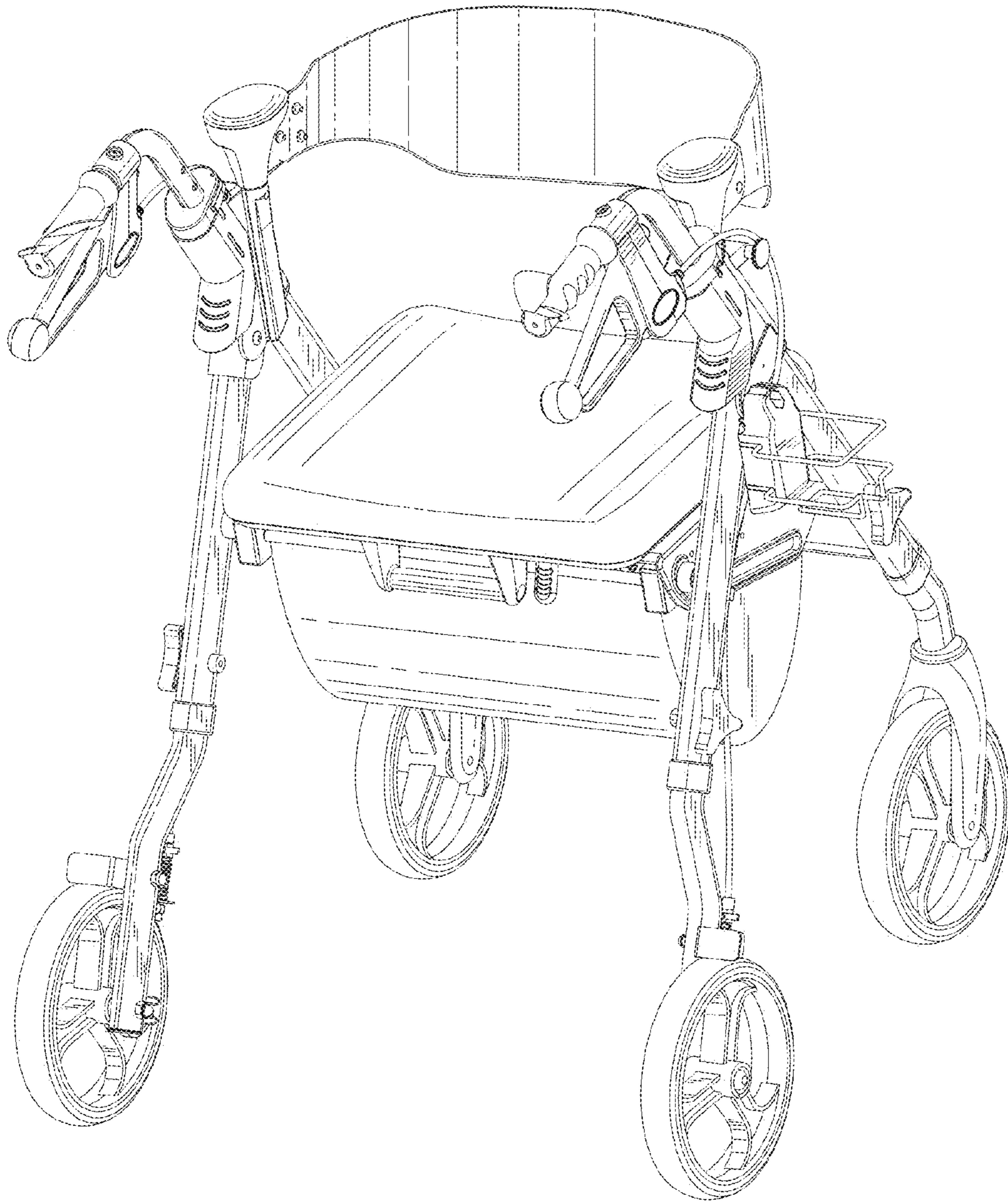


FIG. 3

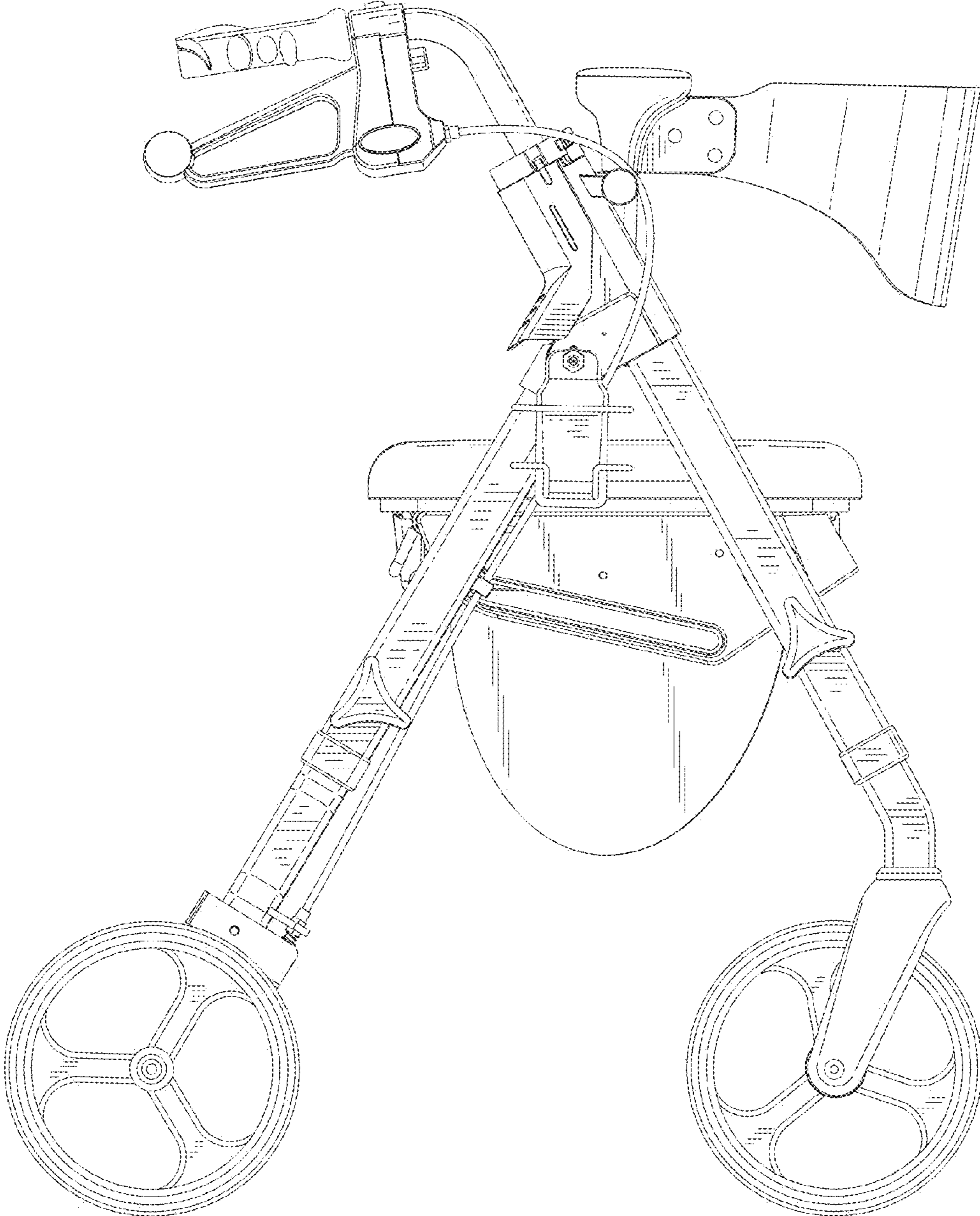


FIG. 4

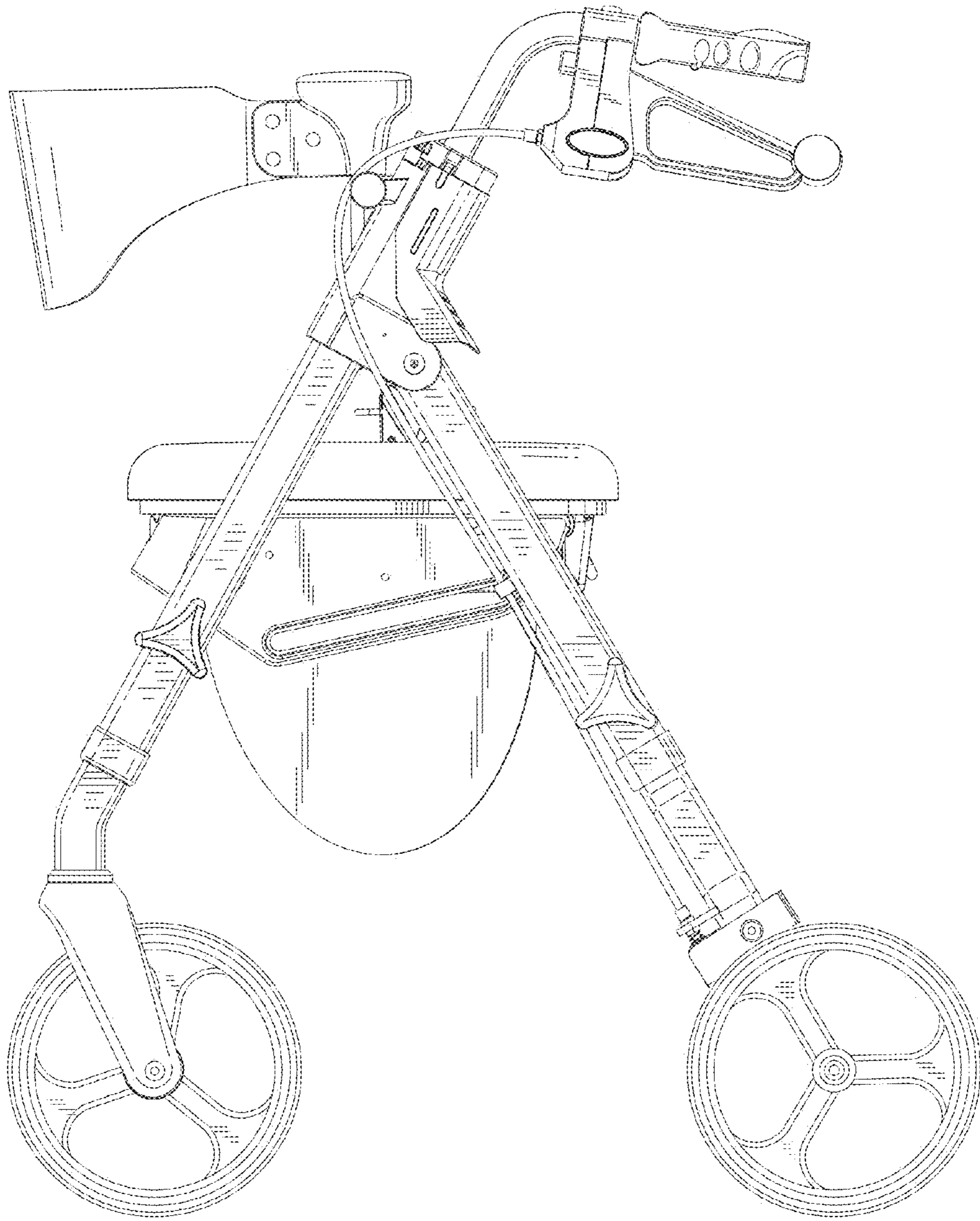


FIG. 5

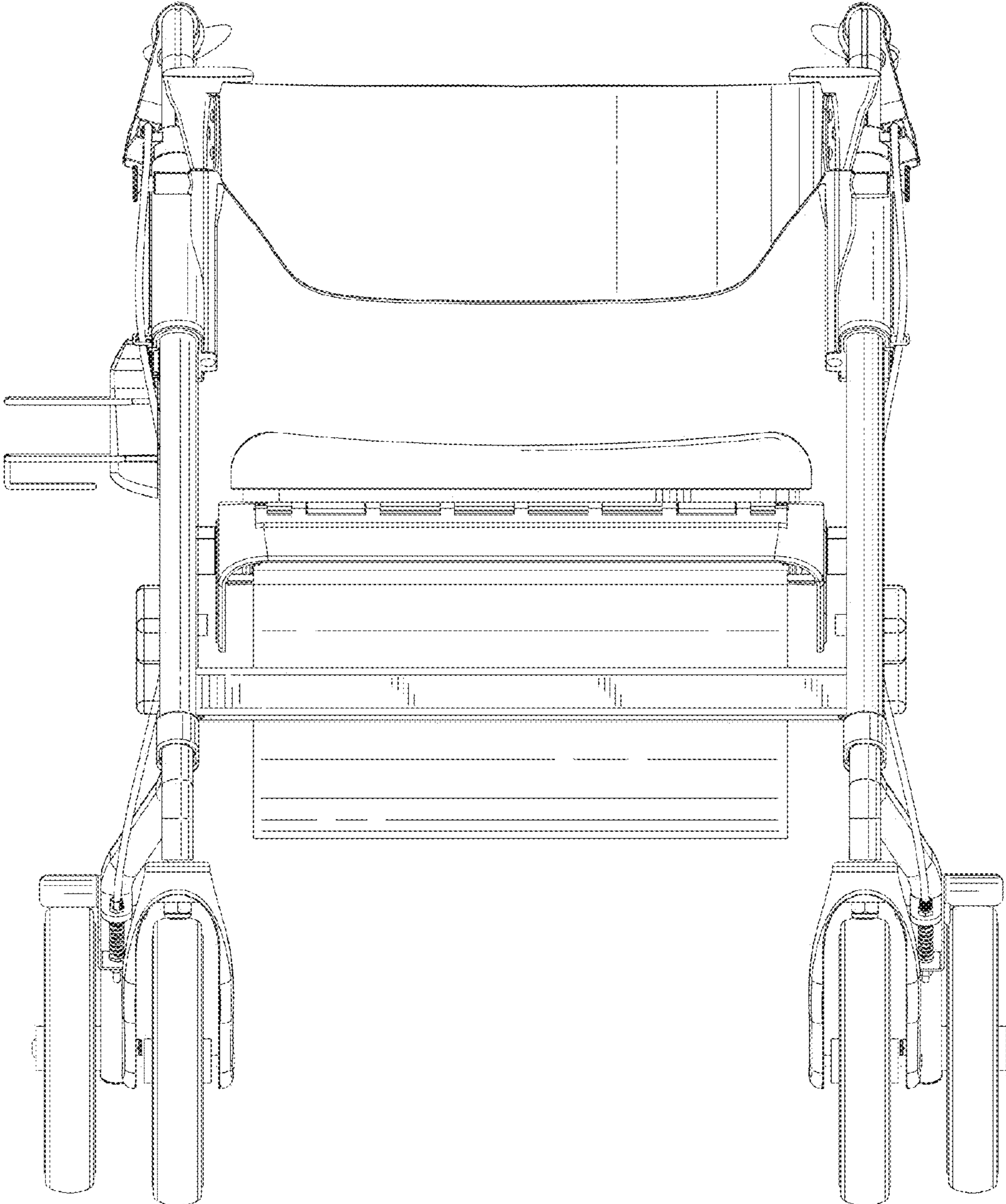


FIG. 6

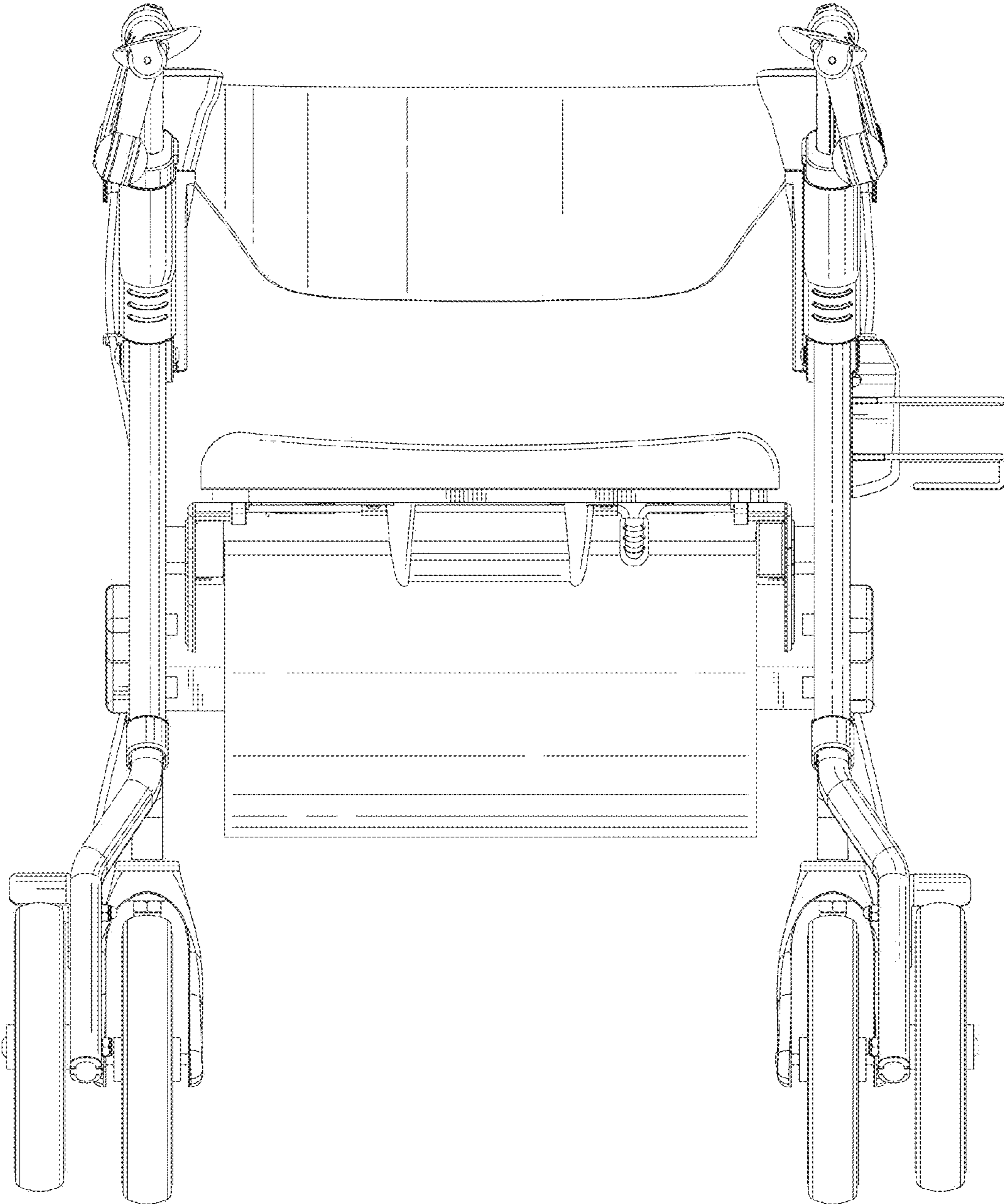


FIG. 7

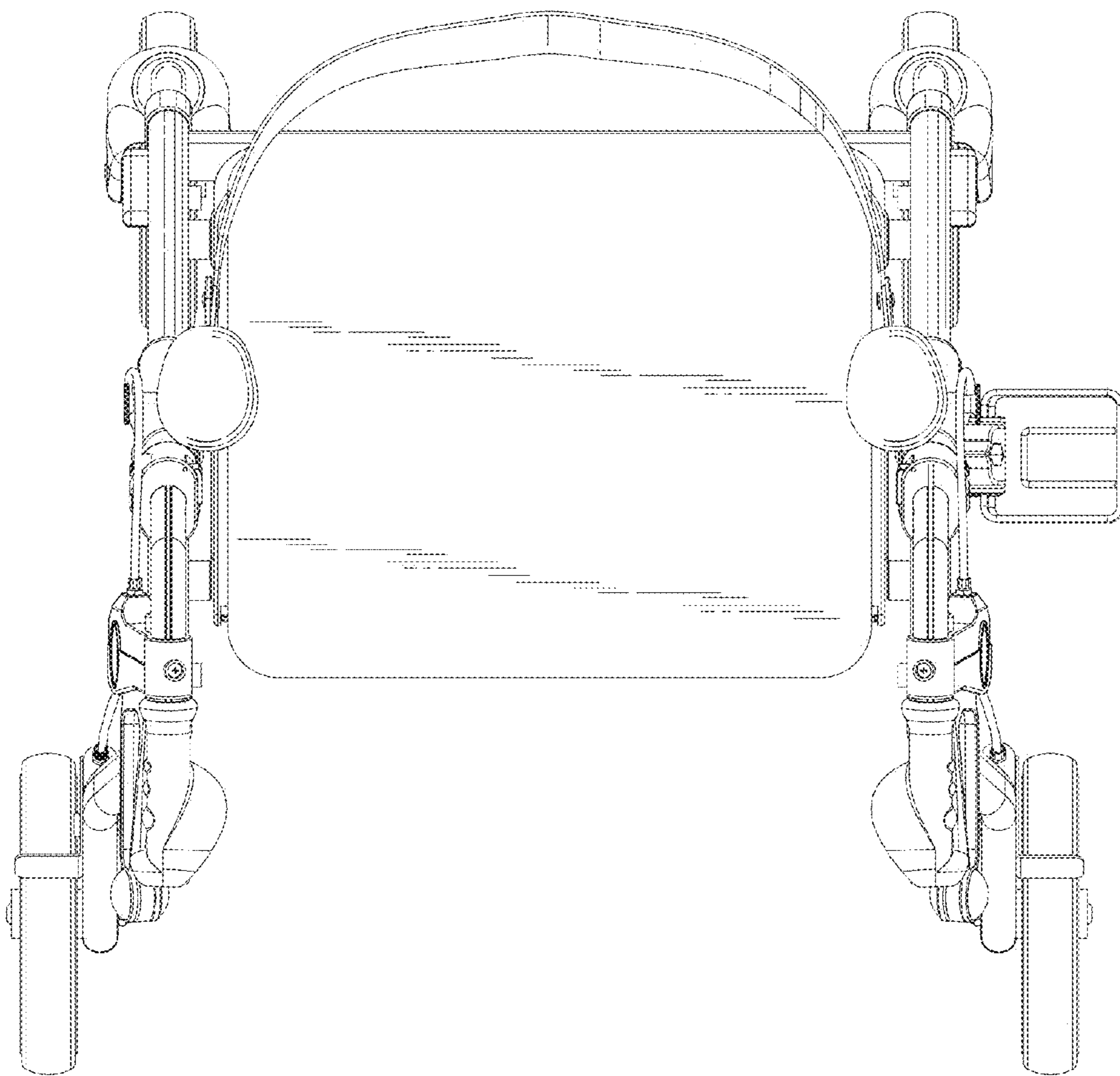


FIG. 8

