



US00D739313S

(12) **United States Design Patent**
Chen

(10) **Patent No.:** **US D739,313 S**

(45) **Date of Patent:** **** Sep. 22, 2015**

(54) **BICYCLE PEDAL**

(71) Applicant: **Chung-I Chen**, Taichung (TW)

(72) Inventor: **Chung-I Chen**, Taichung (TW)

(73) Assignee: **WELLGO PEDAL'S CORP.**, Taichung (TW)

(**) Term: **14 Years**

(21) Appl. No.: **29/500,463**

(22) Filed: **Aug. 25, 2014**

(51) **LOC (10) Cl.** **12-11**

(52) **U.S. Cl.**
USPC **D12/125**

(58) **Field of Classification Search**
USPC D12/111-113, 125; 280/291; 296/75;
74/560, 594.1-594.7

CPC B62M 3/08; Y10T 74/2168
See application file for complete search history.

(56) **References Cited**

U.S. PATENT DOCUMENTS

D284,459 S *	7/1986	Shimizu	D12/125
D299,222 S *	1/1989	Feamster et al.	D12/125
D299,449 S *	1/1989	Chounan	D12/125
D299,450 S *	1/1989	Chounan	D12/125
D302,668 S *	8/1989	Chounan	D12/125
D324,838 S *	3/1992	Briscadieu	D12/125
D333,113 S *	2/1993	Nestrud	D12/125
5,259,270 A *	11/1993	Lin	74/594.6
D387,706 S *	12/1997	Hanamura	D12/125
D414,723 S *	10/1999	Hanamura	D12/125
D432,463 S *	10/2000	Hanamura	D12/125
6,393,940 B1 *	5/2002	Ueda	74/594.6

D522,414 S *	6/2006	Chen	D12/125
D615,003 S *	5/2010	Canfield et al.	D12/125
D667,348 S *	9/2012	Canfield et al.	D12/125
D683,273 S *	5/2013	Winkie	D12/125
D687,743 S *	8/2013	Lin	D12/125
2011/0247450 A1 *	10/2011	Lai	74/594.4

FOREIGN PATENT DOCUMENTS

JP	04372486 A *	12/1992	B62M 3/08
JP	09024886 A *	1/1997	B62M 3/08
JP	2013001339 A *	1/2013	B62M 3/08
JP	2013028308 A *	2/2013	B62M 3/08

* cited by examiner

Primary Examiner — Philip S Hyder

Assistant Examiner — Darlington Ly

(57) **CLAIM**

The ornamental design for a bicycle pedal, as shown and described.

DESCRIPTION

FIG. 1 is a perspective view of a bicycle pedal illustrating my new design;

FIG. 2 is a front elevational view thereof;

FIG. 3 is a rear elevational view thereof;

FIG. 4 is a left side view thereof;

FIG. 5 is a right side view thereof;

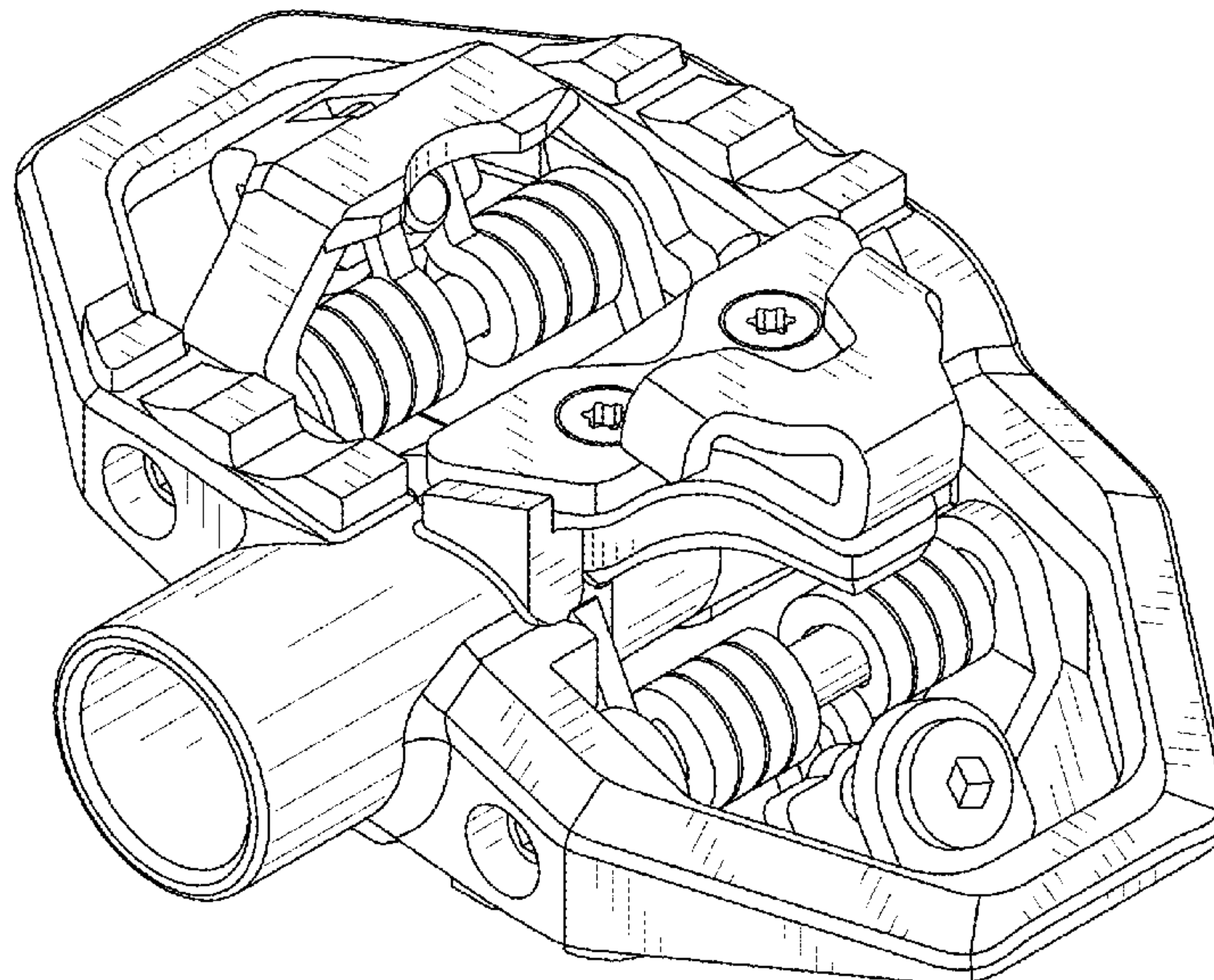
FIG. 6 is a top plan view thereof;

FIG. 7 is a bottom plan view thereof; and,

FIG. 8 is another perspective view thereof showing in phantom an axle inserted within the bicycle pedal.

The broken lines in the drawings illustrate portions of the bicycle pedal and environmental structure of an inserted axle that forms no part of the claimed design.

1 Claim, 6 Drawing Sheets



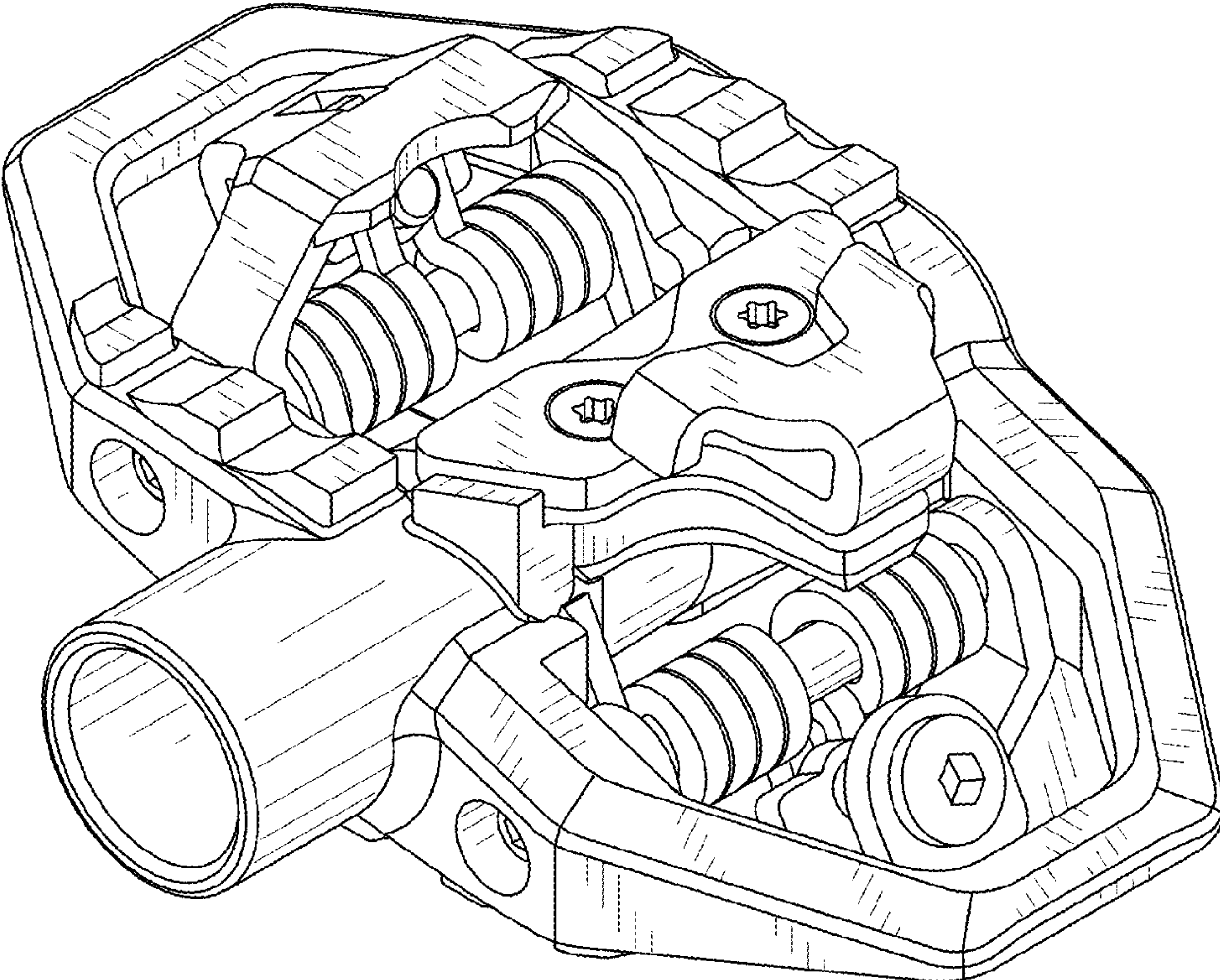


FIG.1

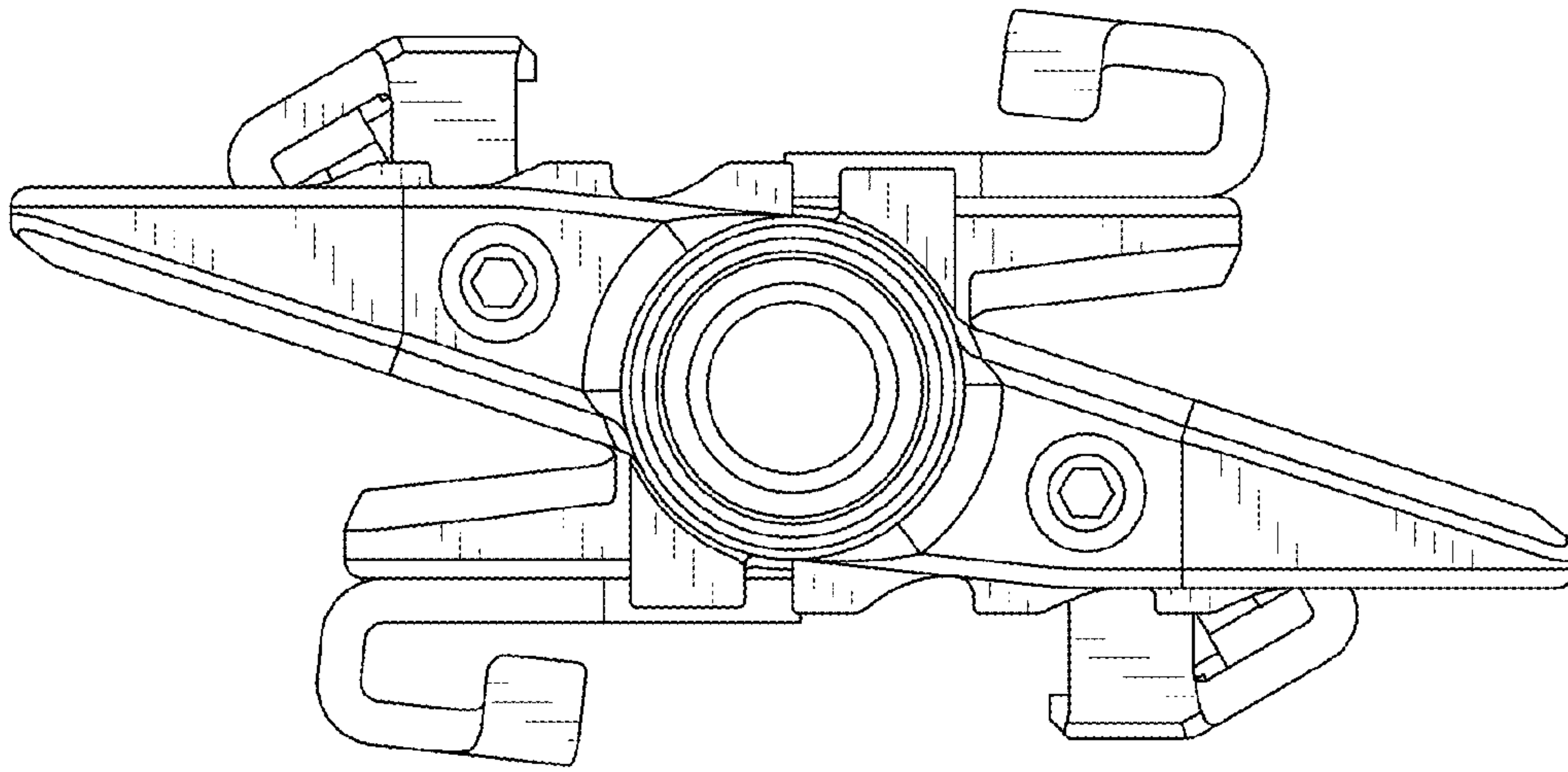


FIG.2

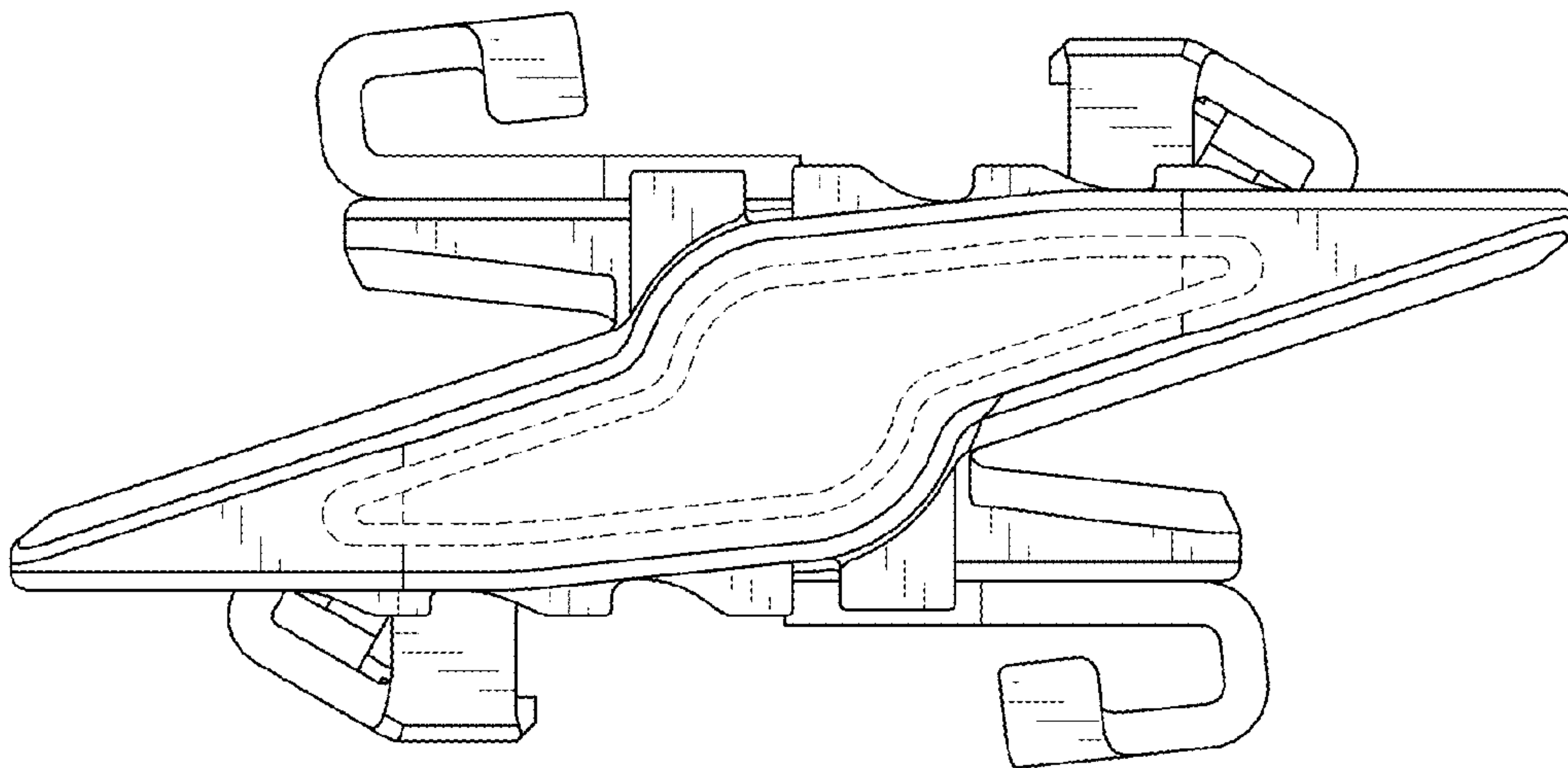


FIG.3

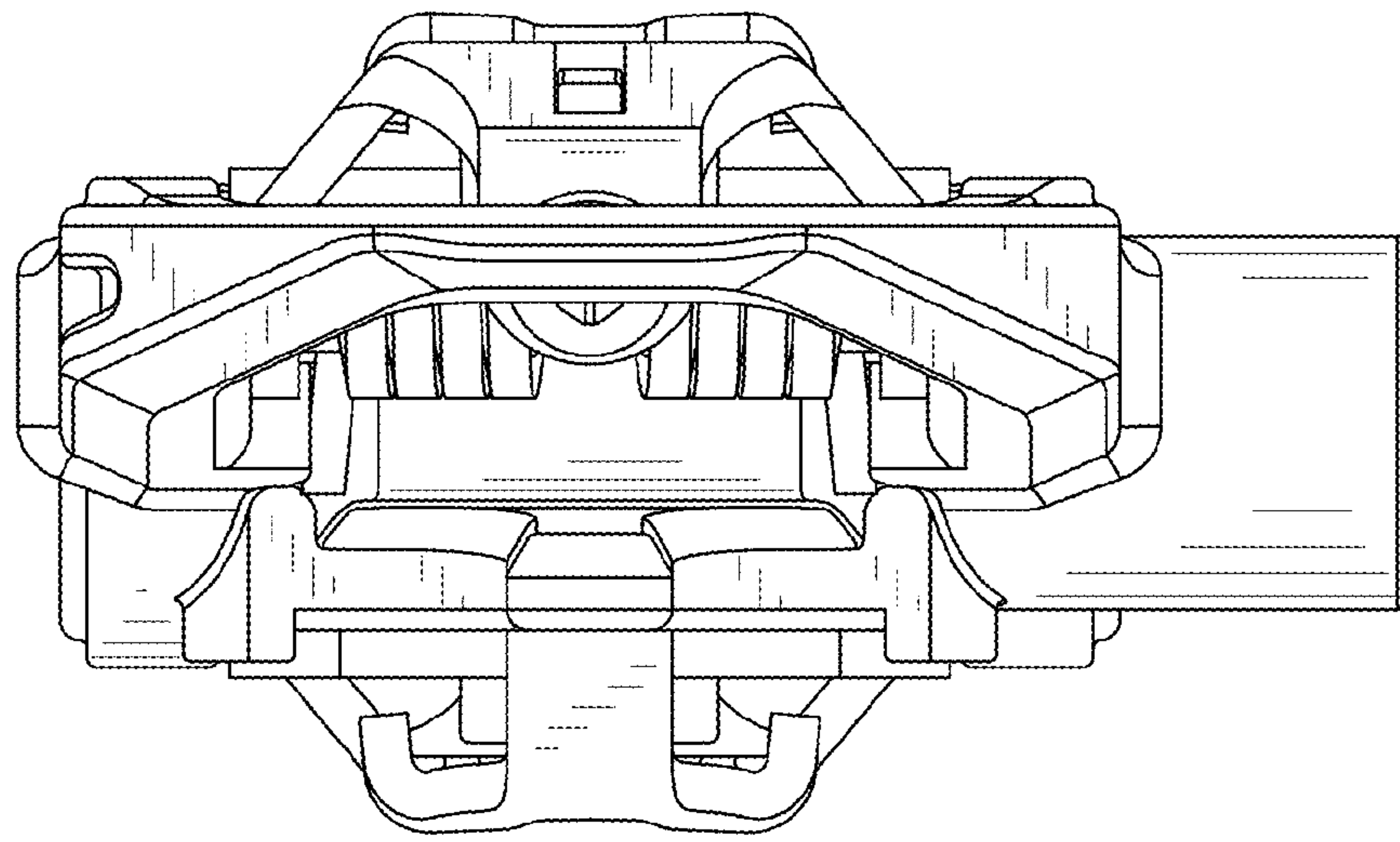


FIG.4

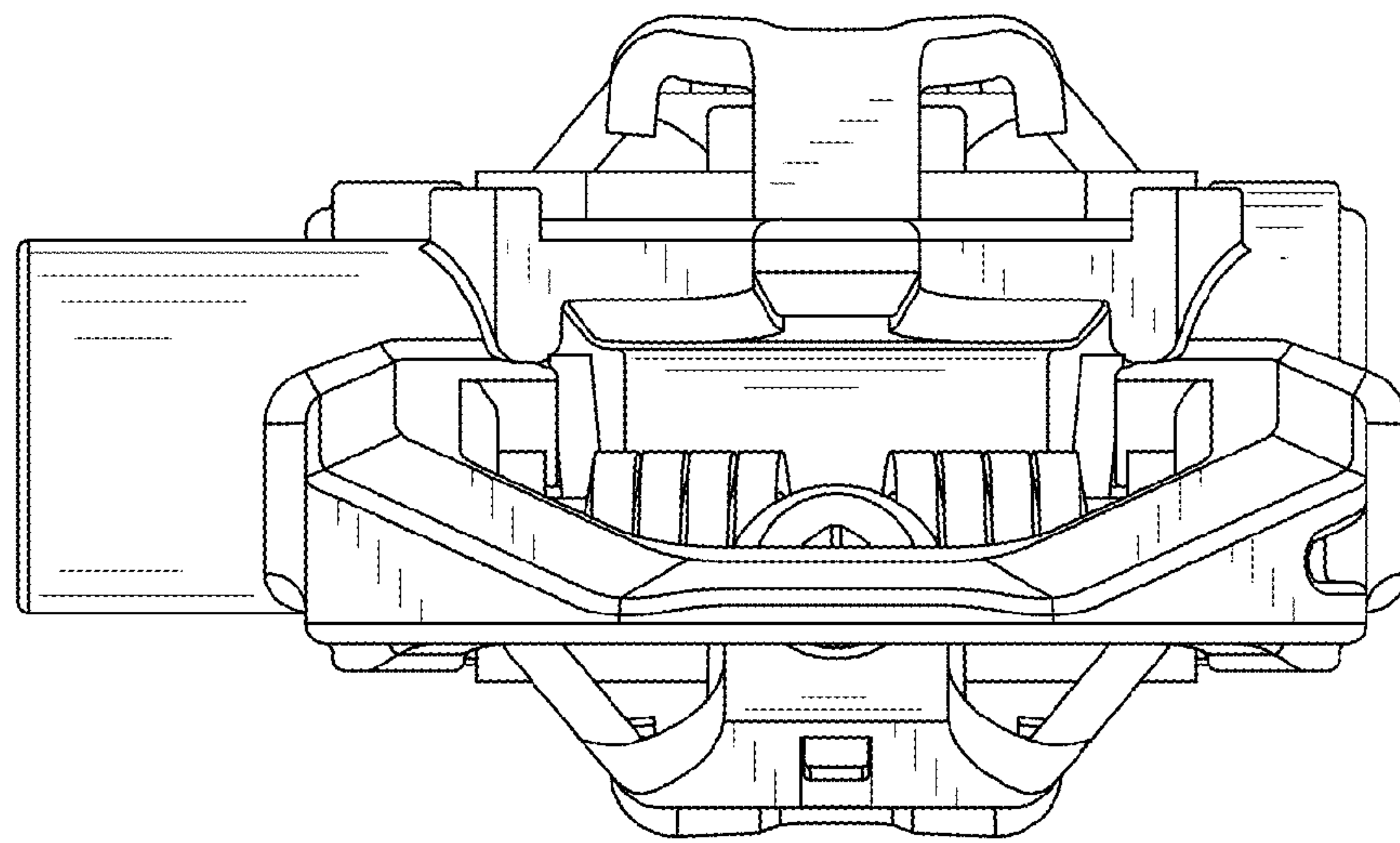


FIG.5

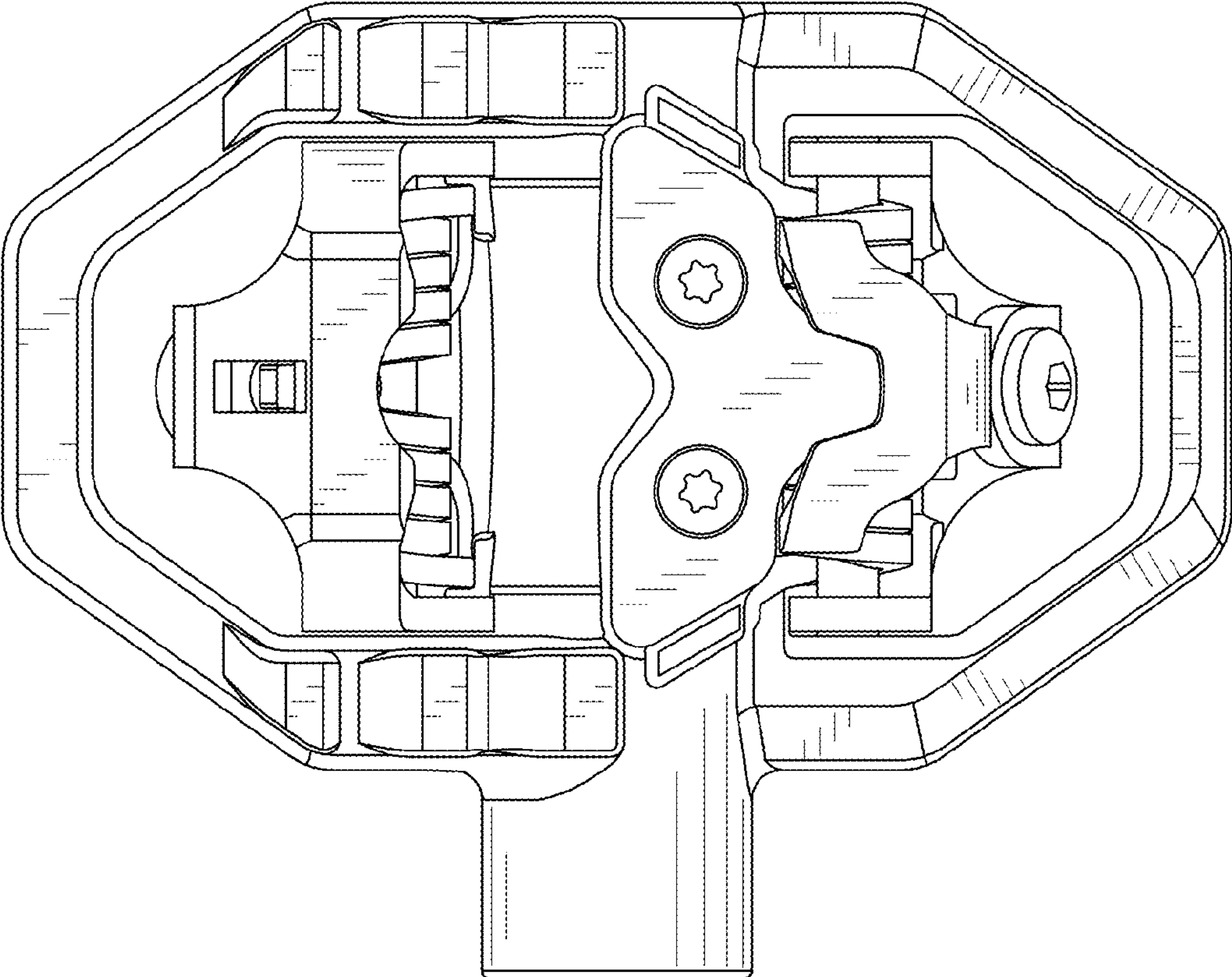


FIG.6

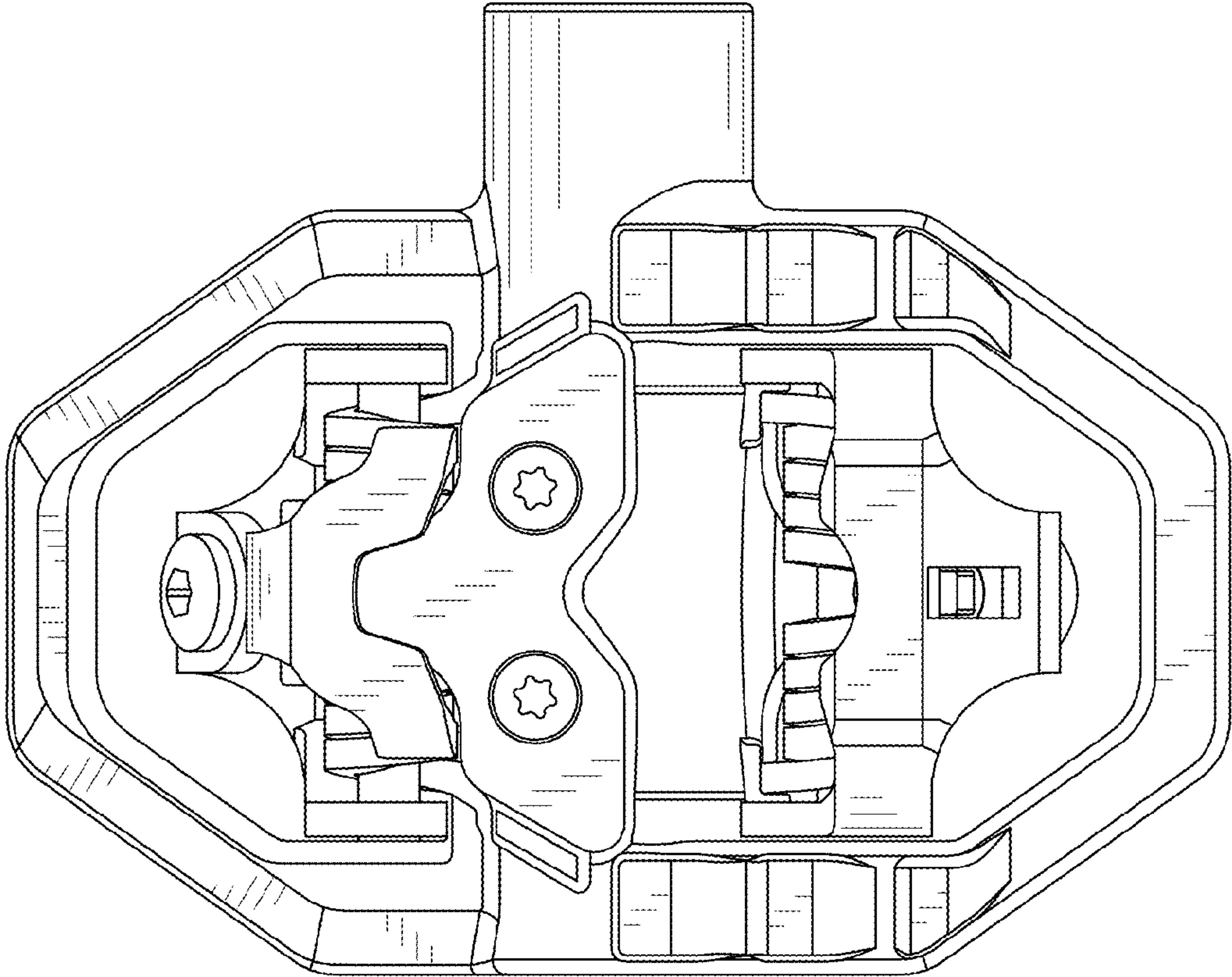


FIG.7

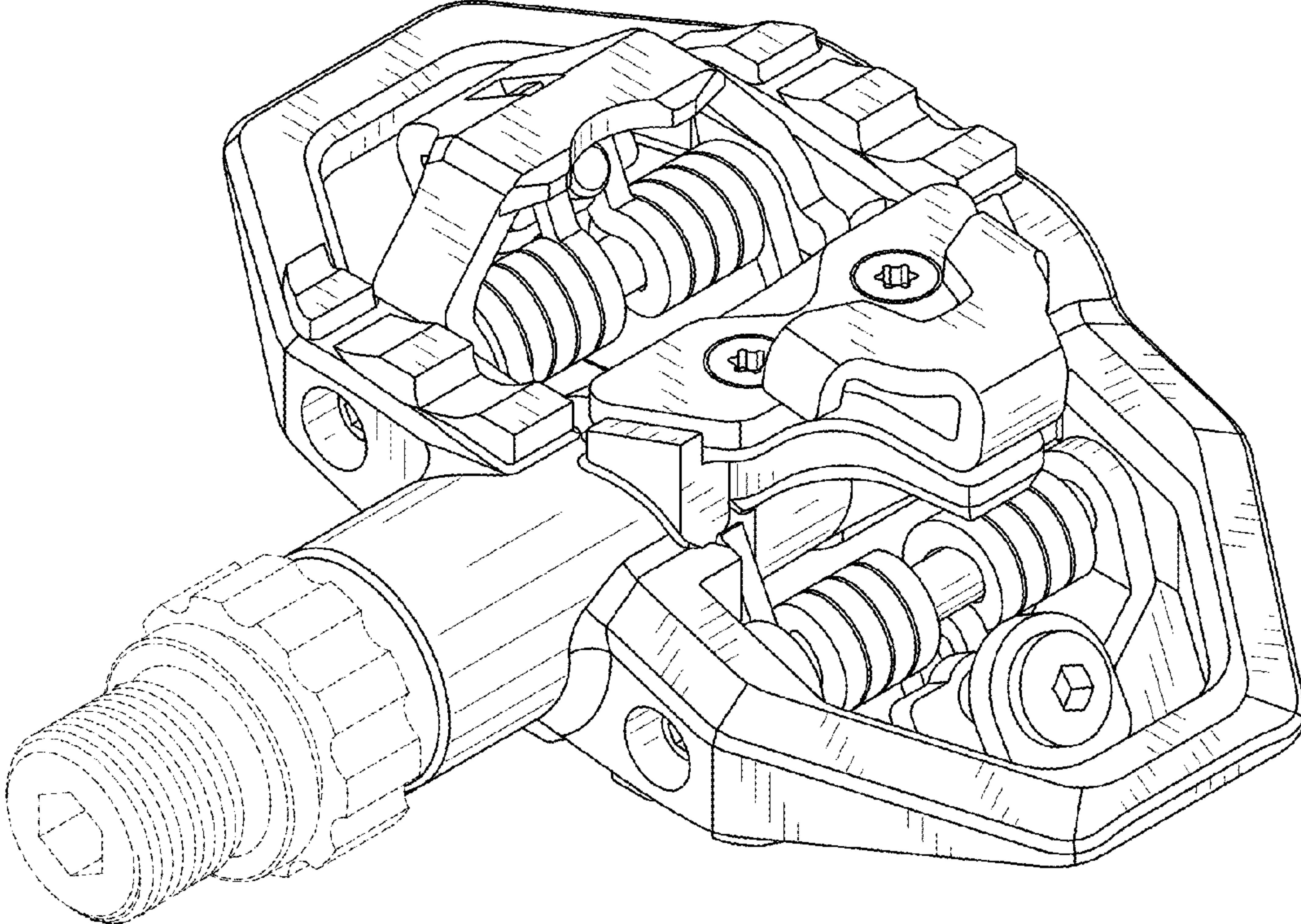


FIG.8