



US00D739310S

(12) **United States Design Patent**  
**Barnaby Latham**

(10) **Patent No.:** **US D739,310 S**  
(45) **Date of Patent:** **\*\* Sep. 22, 2015**

(54) **TRICYCLE**

(71) Applicant: **Richard David Barnaby Latham,**  
Wellington (NZ)

(72) Inventor: **Richard David Barnaby Latham,**  
Wellington (NZ)

(\*\*) Term: **14 Years**

(21) Appl. No.: **29/473,858**

(22) Filed: **Nov. 26, 2013**

(51) **LOC (10) Cl.** ..... **12-11**

(52) **U.S. Cl.**  
USPC ..... **D12/112**

(58) **Field of Classification Search**  
USPC ..... D12/111, 108, 124, 109, 113, 112;  
D21/432, 419, 663, 435, 662; 280/283,  
280/276, 240, 281.1, 284, 256, 286, 265,  
280/268, 271, 288, 257, 279, 288.2, 274,  
280/282, 288.4, 210, 287, 278; 74/594.3,  
74/527; 16/44; 156/294; 180/68.5, 220;  
29/428; 224/419; 297/205, 207, 284.2,  
297/195.1, 215.16, 452.63, 202, 452.1

See application file for complete search history.

(56) **References Cited**

**U.S. PATENT DOCUMENTS**

D273,484 S *	4/1984	Herbert	.....	D12/111
D473,495 S *	4/2003	Niitsu et al.	.....	D12/111
6,609,723 B2 *	8/2003	Chuang	.....	280/287
D487,234 S *	3/2004	Chen et al.	.....	D12/111
D497,122 S *	10/2004	Uenaka	.....	D12/111
D498,438 S *	11/2004	Ying	.....	D12/111
D540,716 S *	4/2007	Mohr	.....	D12/111
7,216,410 B2 *	5/2007	Chuang	.....	29/428
D578,440 S *	10/2008	Giugiaro	.....	D12/111
D594,787 S *	6/2009	Dallaire	.....	D12/111
D626,037 S *	10/2010	Thetard	.....	D12/111
D659,597 S *	5/2012	Chen	.....	D12/111
D685,683 S *	7/2013	Shaw et al.	.....	D12/111
D689,409 S *	9/2013	Yap	.....	D12/111

D695,650 S *	12/2013	Cho	.....	D12/111
8,814,194 B2 *	8/2014	Kim et al.	.....	280/278
2006/0163837 A1 *	7/2006	Sutherland	.....	280/284

(Continued)

**FOREIGN PATENT DOCUMENTS**

AU	2006-100968	12/2006
CN	201980350	9/2011

(Continued)

**OTHER PUBLICATIONS**

Italtrike, Printed May 30, 2014, "Magic Wheels," <http://www.italtrike.com/en/abc-chocolate/53-magic-wheels-8010077002403.html>, 2 pages.

(Continued)

*Primary Examiner* — Robert M Spear  
*Assistant Examiner* — Ryan Harvey  
(74) *Attorney, Agent, or Firm* — Kagan Binder, PLLC

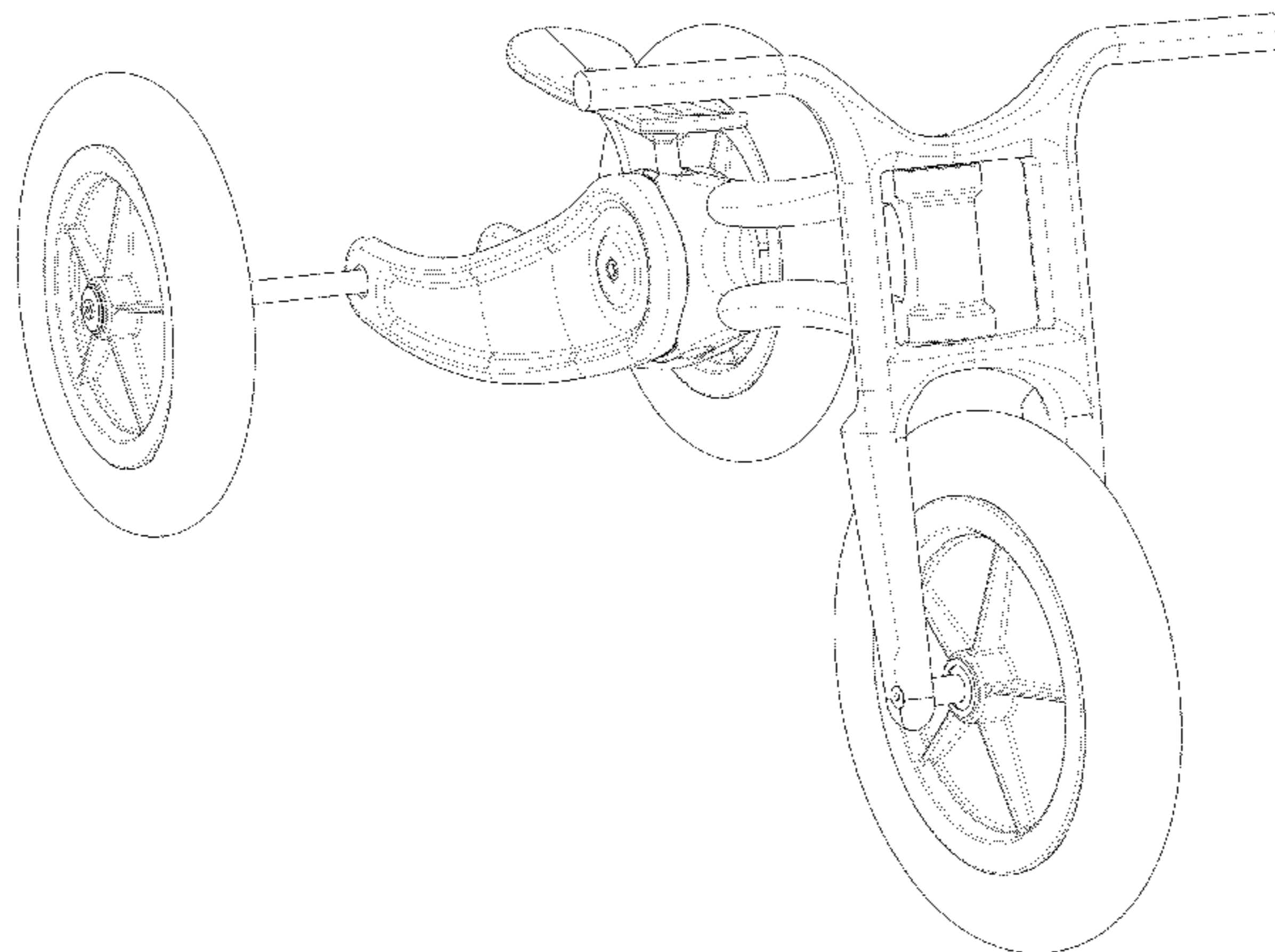
(57) **CLAIM**

The ornamental design for a tricycle, as shown and described.

**DESCRIPTION**

FIG. 1 is a front perspective view of a tricycle of the present design in a neutral position;  
FIG. 2 is a side view of the tricycle of FIG. 1 in the neutral position;  
FIG. 3 is a front perspective view of the tricycle of FIG. 1 in a raised position;  
FIG. 4 is a side view of the tricycle of FIG. 1 in the raised position;  
FIG. 5 is a front perspective view of the tricycle of FIG. 1 in a lowered position;  
FIG. 6 is a side view of the tricycle of FIG. 1 in the lowered position;  
FIG. 7 is a top plan view of the tricycle of FIG. 1; and,  
FIG. 8 is a bottom plan view of the tricycle of FIG. 1.

**1 Claim, 8 Drawing Sheets**



(56)

References Cited

OTHER PUBLICATIONS

U.S. PATENT DOCUMENTS

2007/0069499 A1\* 3/2007 Lin ..... 280/287  
2012/0056399 A1\* 3/2012 Hon et al. .... 280/278  
2012/0060639 A1\* 3/2012 Huang ..... 74/527  
2012/0169029 A1\* 7/2012 Marais et al. .... 280/287  
2013/0043667 A1\* 2/2013 Dodman et al. .... 280/278  
2013/0087988 A1\* 4/2013 Wang et al. .... 280/287  
2013/0087989 A1\* 4/2013 Beistegui Chirapozu  
et al. .... 280/287  
2014/0076651 A1\* 3/2014 Kim et al. .... 180/220  
2014/0076652 A1\* 3/2014 Kim et al. .... 180/220

FOREIGN PATENT DOCUMENTS

CN 201980351 9/2011  
DE 102011052290 1/2013

Italtrike, Printed May 30, 2014, "Triciclino Chocolate," <http://www.italtrike.com/en/abc-chocolate/57-triciclino-chocolate-8010077002304.html>, 1 page.  
Italtrike, "Magic2 Wheels," Assembly Instructions, (undated), 1 page.  
Italtrike, "Magic3 Wheels," Assembly Instructions, (undated), 1 page.

\* cited by examiner

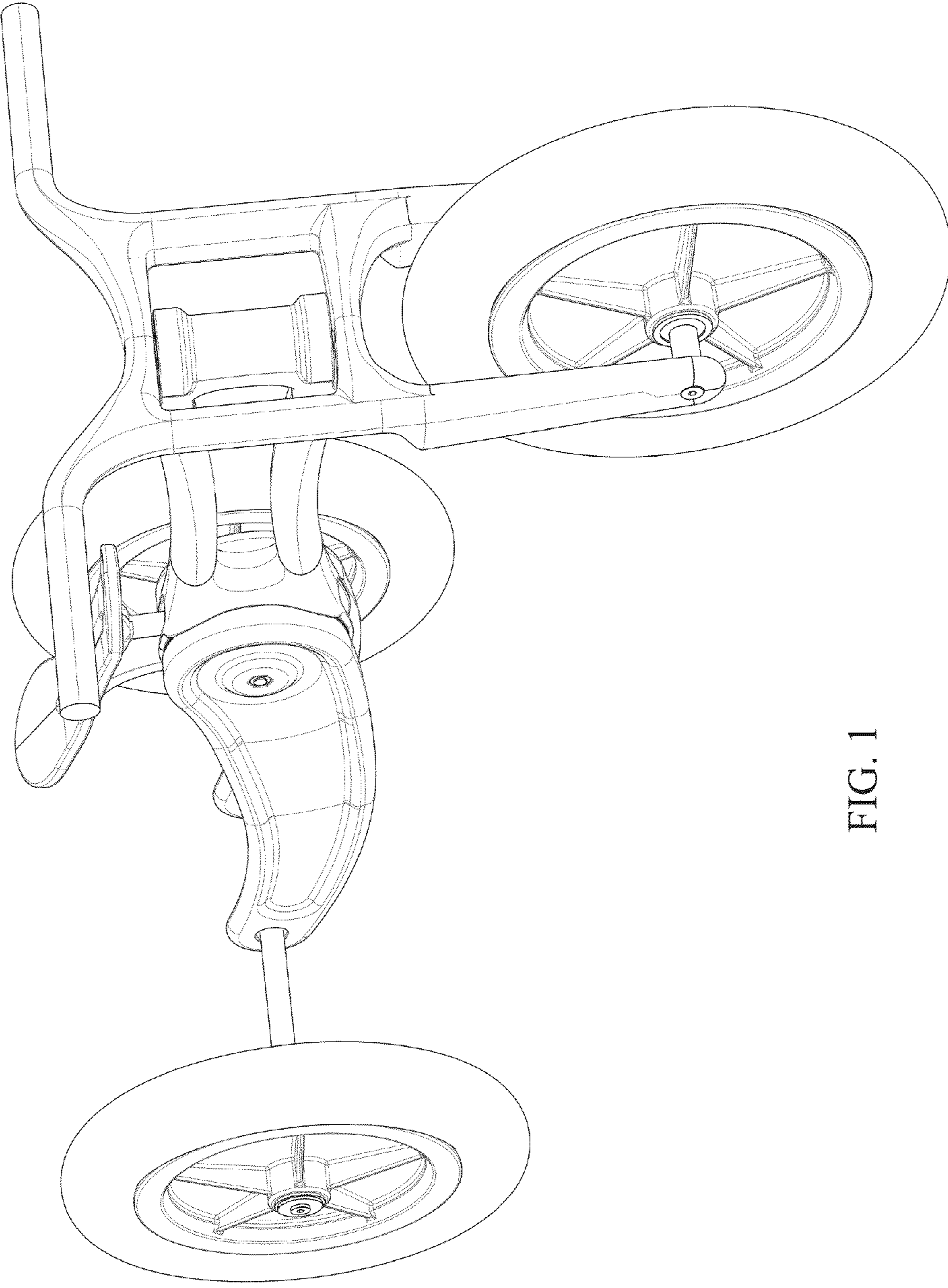


FIG. 1

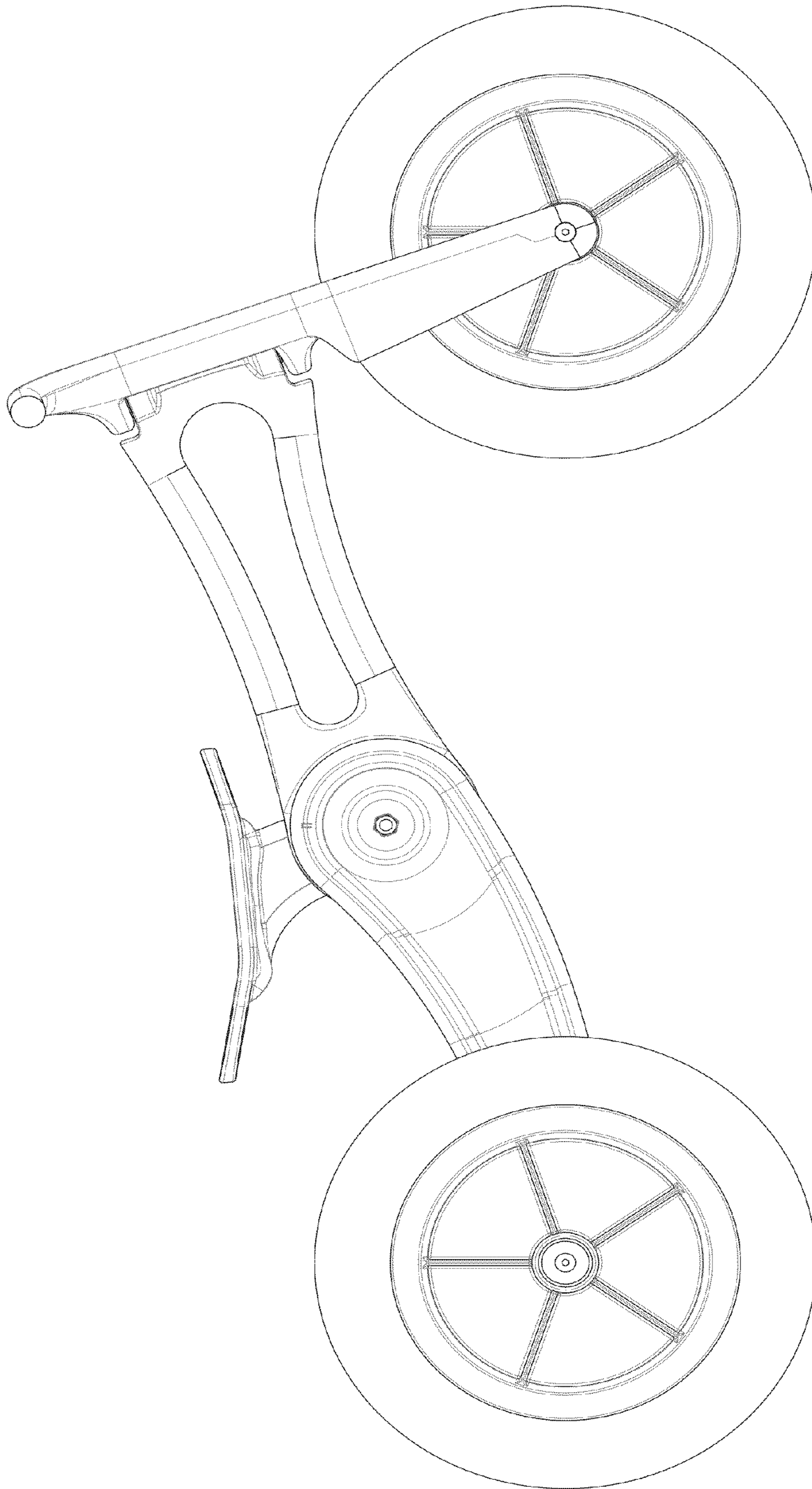


FIG. 2

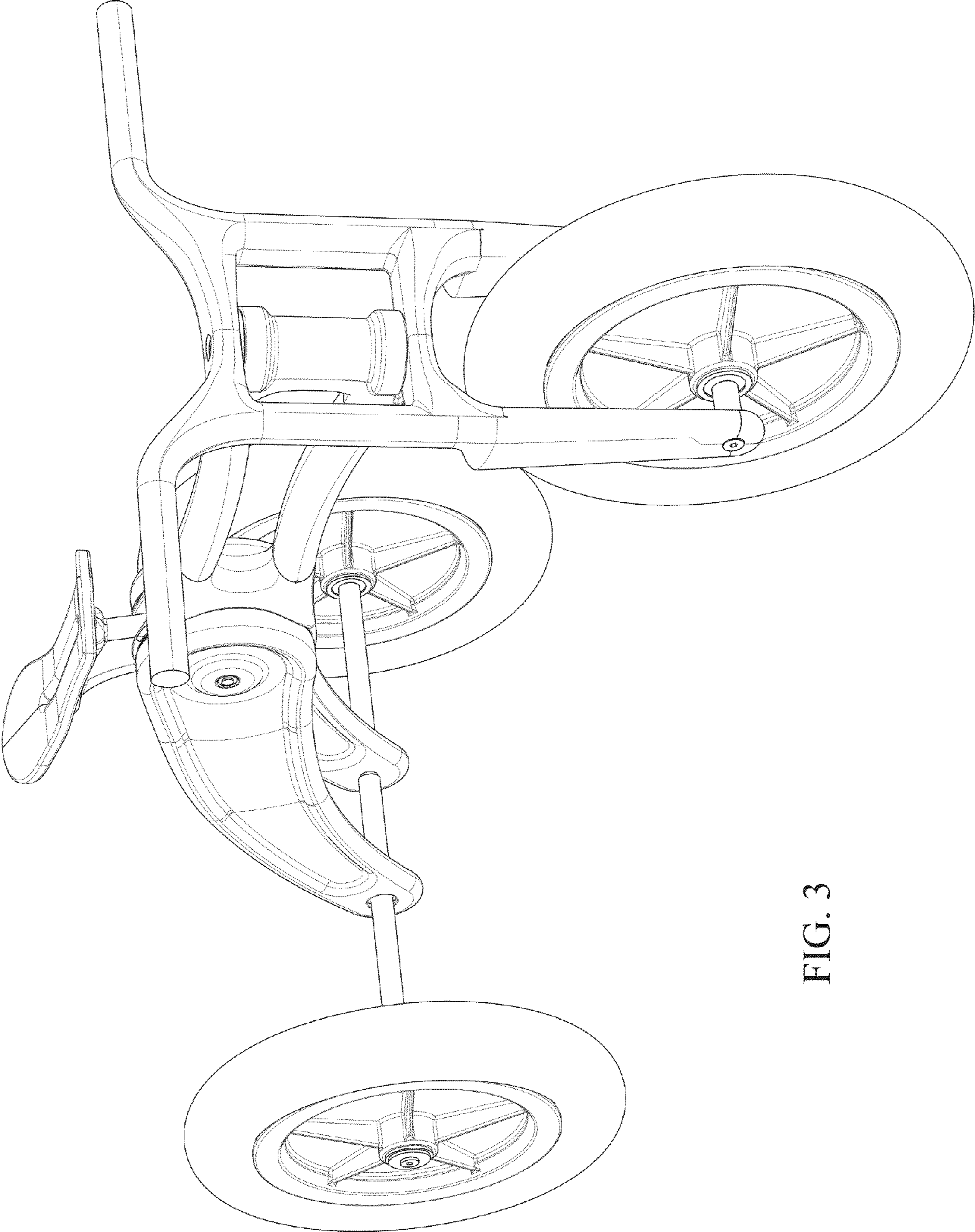


FIG. 3

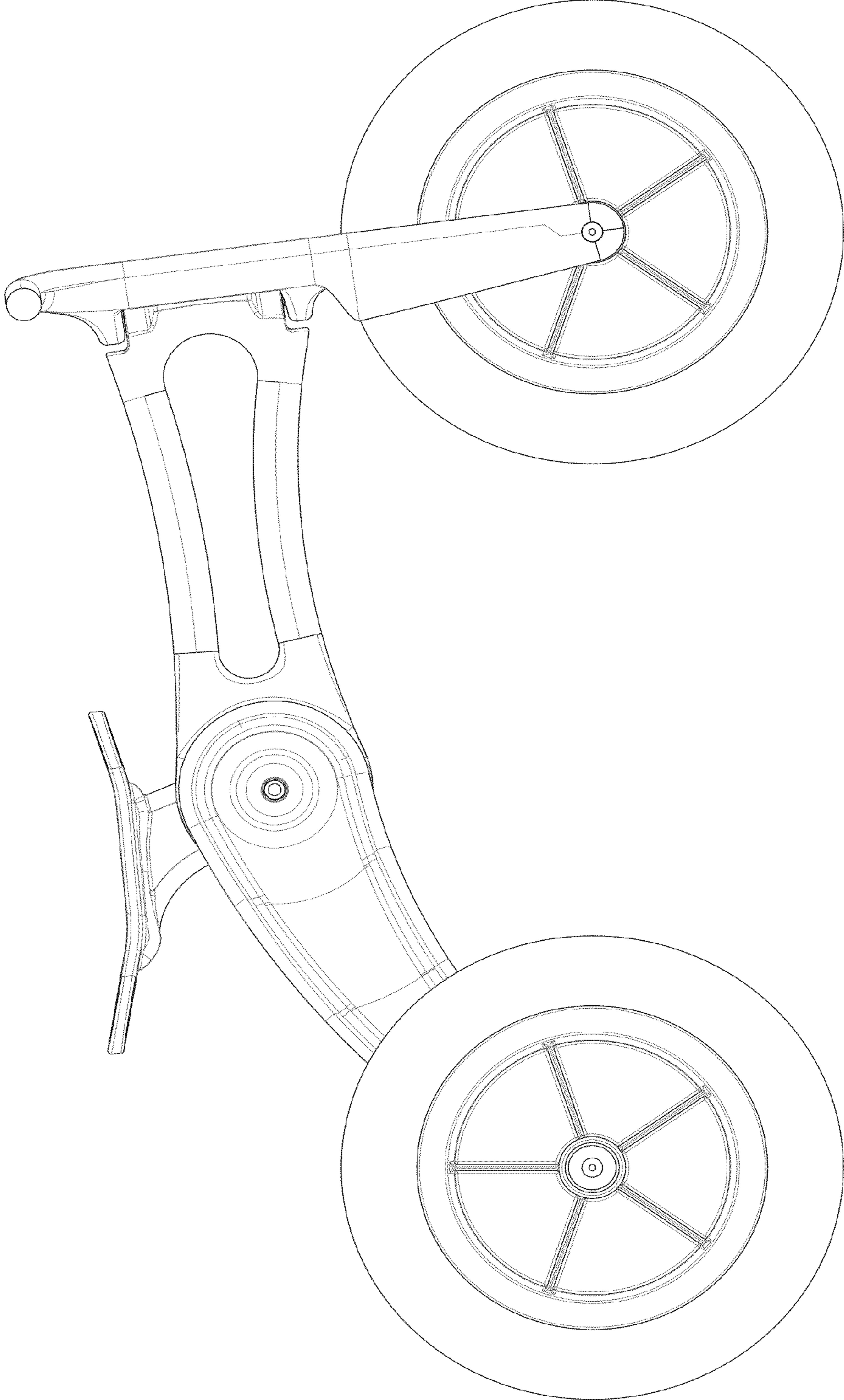


FIG. 4

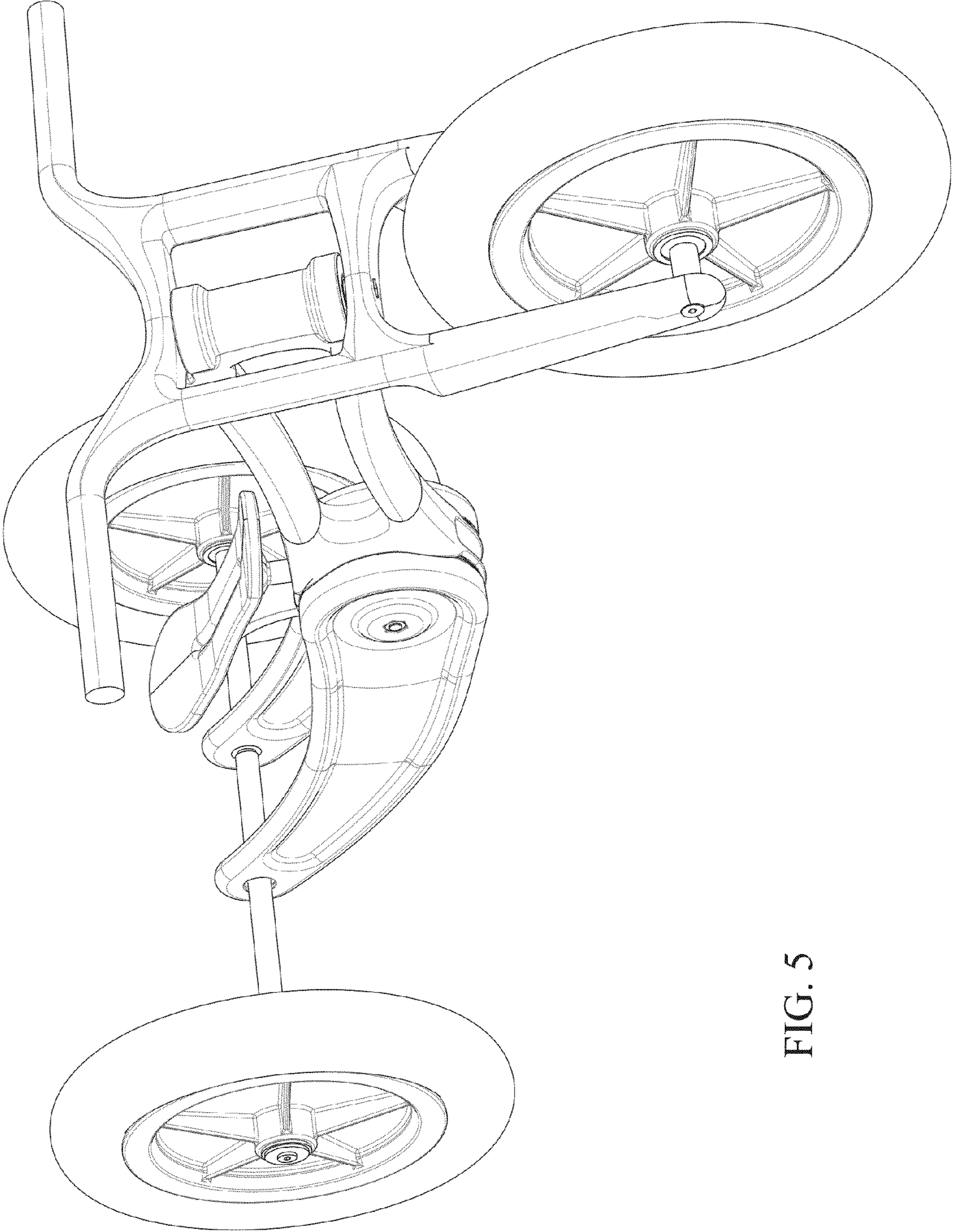


FIG. 5

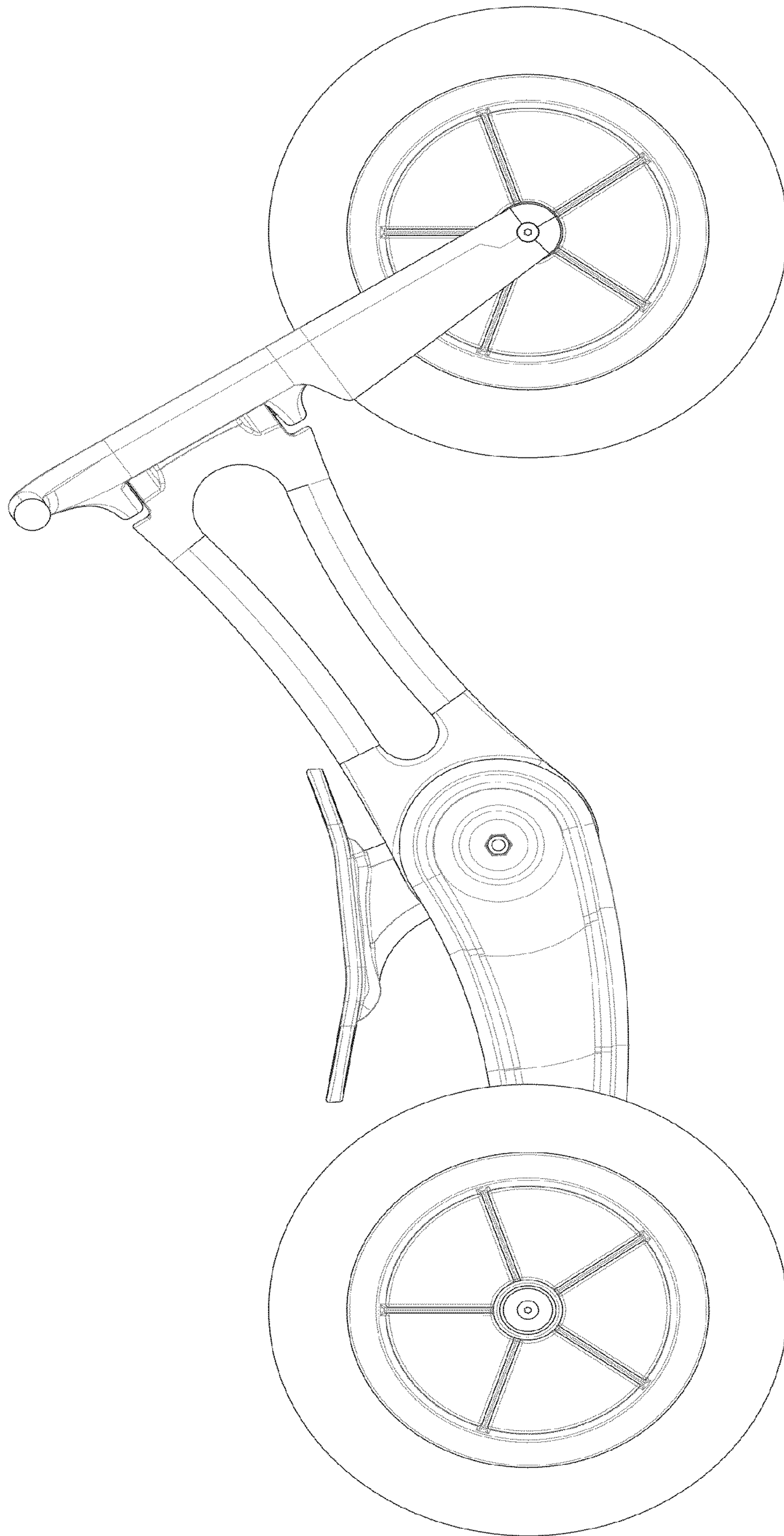


FIG. 6



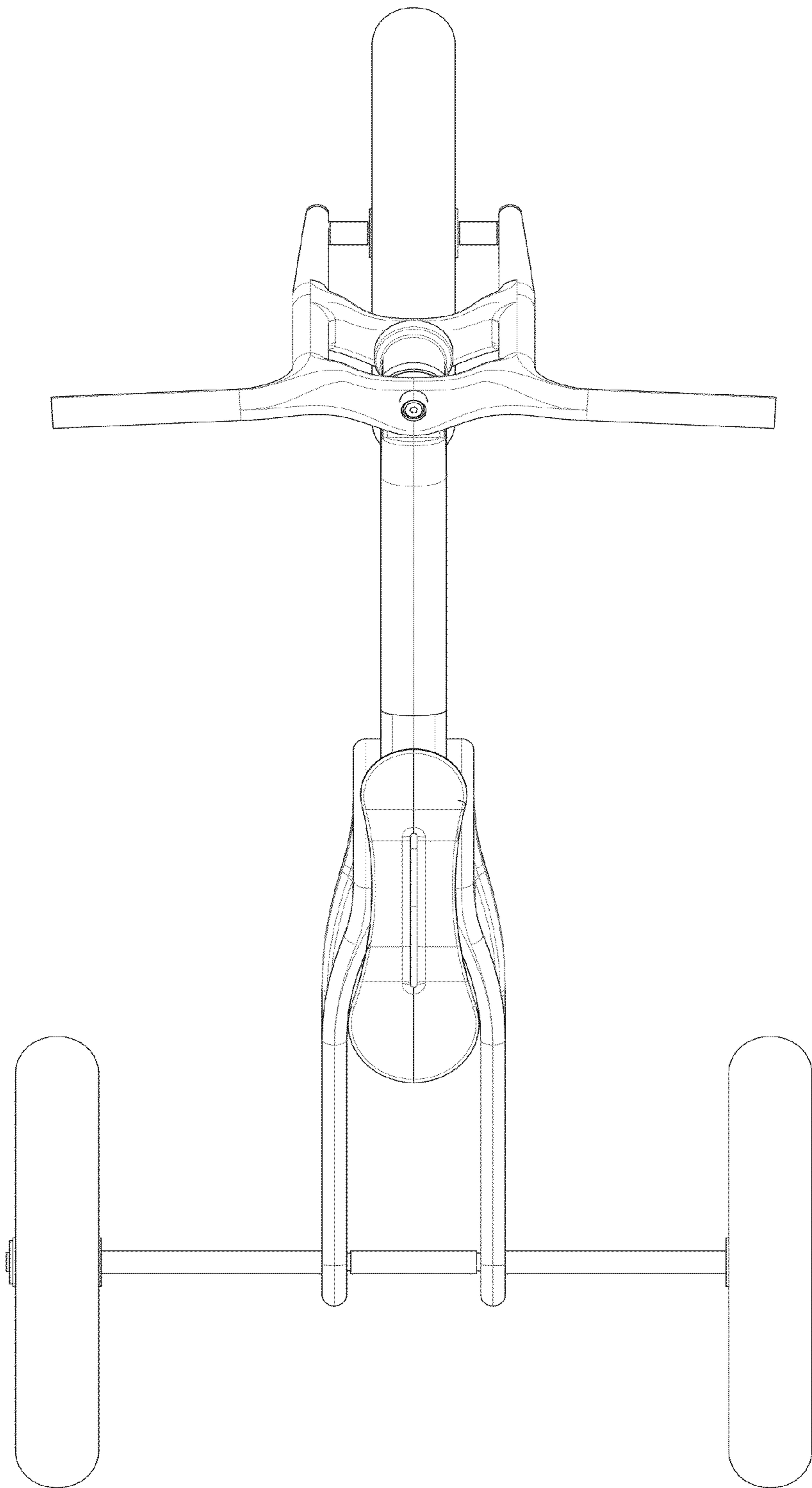


FIG. 7

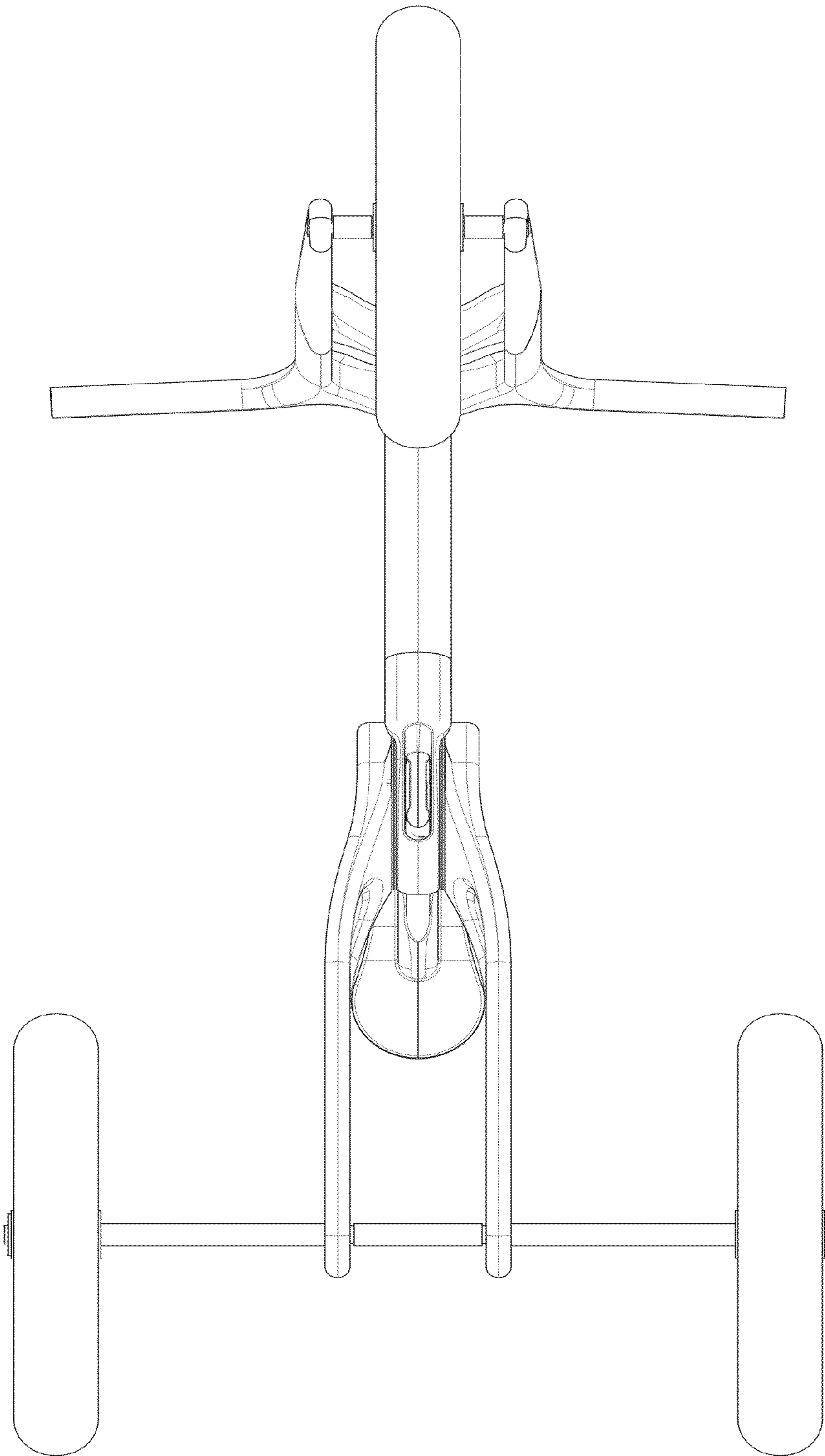


FIG. 8