



US00D739309S

(12) **United States Design Patent**
Imbierowicz

(10) **Patent No.:** **US D739,309 S**

(45) **Date of Patent:** **** Sep. 22, 2015**

(54) **BICYCLE**

(71) Applicant: **Jaroslav Imbierowicz**, Poznan (PL)

(72) Inventor: **Jaroslav Imbierowicz**, Poznan (PL)

(**) Term: **14 Years**

(21) Appl. No.: **29/503,668**

(22) Filed: **Sep. 29, 2014**

(30) **Foreign Application Priority Data**

Mar. 31, 2014 (EM) 001407894-0001

(51) **LOC (10) Cl.** **12-11**

(52) **U.S. Cl.**
USPC **D12/111**

(58) **Field of Classification Search**
USPC D12/111, 117; 280/274-280, 281.1,
280/283-288, 288.1-288.4
CPC B62K 3/00; B62K 3/005; B62K 9/00;
B62K 19/00; B62K 19/02; B62K 19/04;
B62K 19/06; B62K 19/16
See application file for complete search history.

(56) **References Cited**

U.S. PATENT DOCUMENTS

690,733 A * 1/1902 Jarvis 280/261
3,753,577 A * 8/1973 Robinson 280/261
4,283,070 A * 8/1981 Forrestall et al. 280/274
4,527,811 A * 7/1985 DeMoss 280/288.1
4,618,160 A * 10/1986 McElfresh 280/288.1
D299,220 S * 1/1989 Trusky D12/111
D318,254 S * 7/1991 Turowski D12/111
5,201,538 A * 4/1993 Mayn 280/288.1

D383,098 S * 9/1997 Richman D12/111
D392,603 S * 3/1998 Quick D12/111
D393,235 S * 4/1998 Ullman et al. D12/111
D411,970 S * 7/1999 Ullman et al. D12/111
5,951,034 A * 9/1999 Mayo 280/288.1
D422,946 S * 4/2000 Brummer D12/111
6,378,882 B1 * 4/2002 Devine 280/234
D467,203 S * 12/2002 Potter et al. D12/111
D479,494 S * 9/2003 Roy D12/111
D499,360 S * 12/2004 Blankenship D12/111
D512,665 S * 12/2005 Stack D12/111
D514,988 S * 2/2006 Blankenship D12/111
D619,050 S * 7/2010 Tolhurst et al. D12/111
D685,296 S * 7/2013 Bohata D12/111
2002/0185837 A1 * 12/2002 Aloy Estelrich 280/288.1

* cited by examiner

Primary Examiner — Philip S Hyder

Assistant Examiner — Darlington Ly

(74) *Attorney, Agent, or Firm* — Egbert Law Offices, PLLC

(57) **CLAIM**

The ornamental design for a bicycle, as shown and described.

DESCRIPTION

FIG. 1 is a perspective view of a bicycle showing my new design.

FIG. 2 is a side view thereof;

FIG. 3 is an opposite view thereof;

FIG. 4 is a top view thereof;

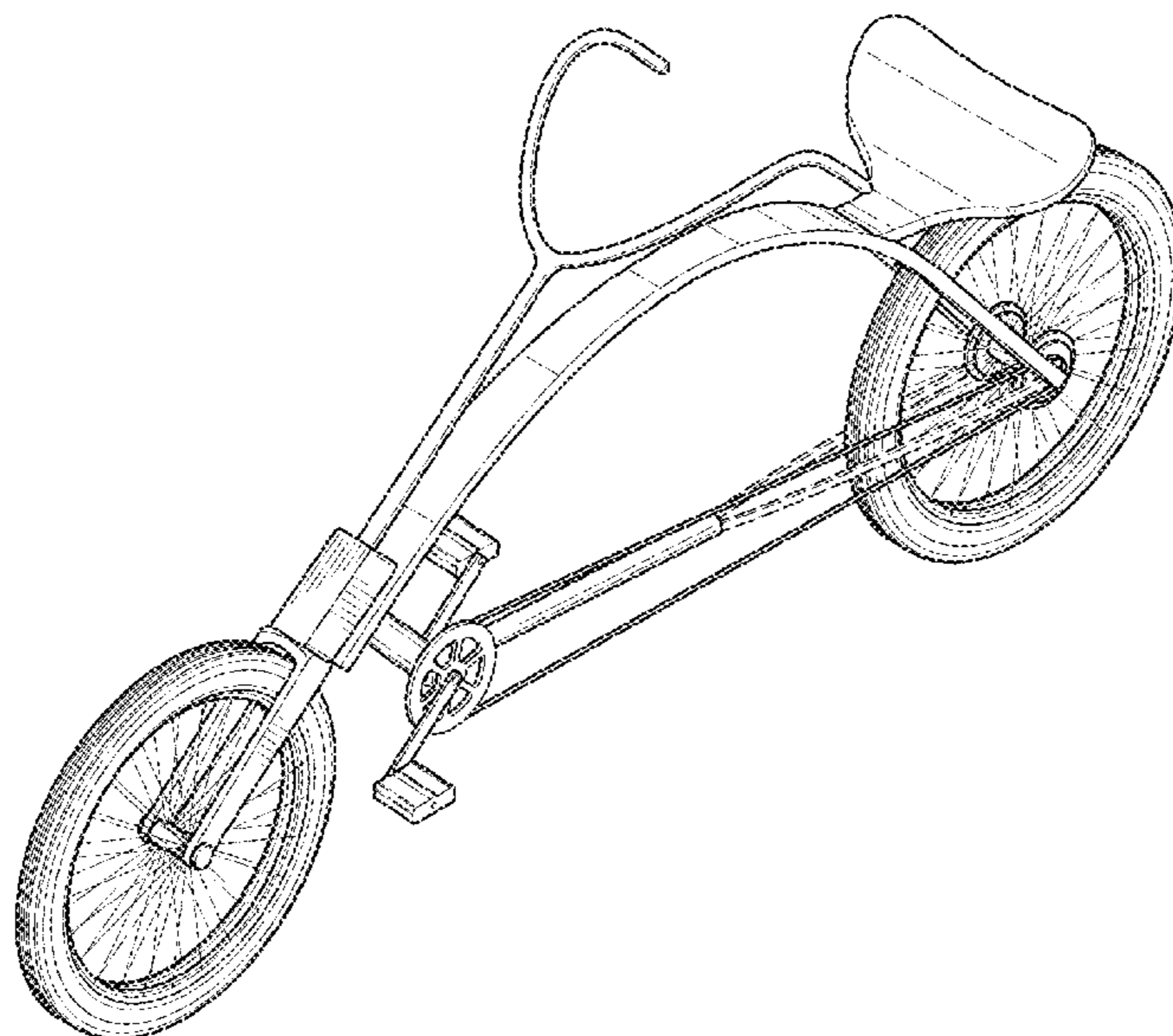
FIG. 5 is a bottom view thereof;

FIG. 6 is a front thereof; and,

FIG. 7 is a rear view thereof.

The broken lines illustrate portions of the bicycle that forms no part of the claimed design.

1 Claim, 3 Drawing Sheets



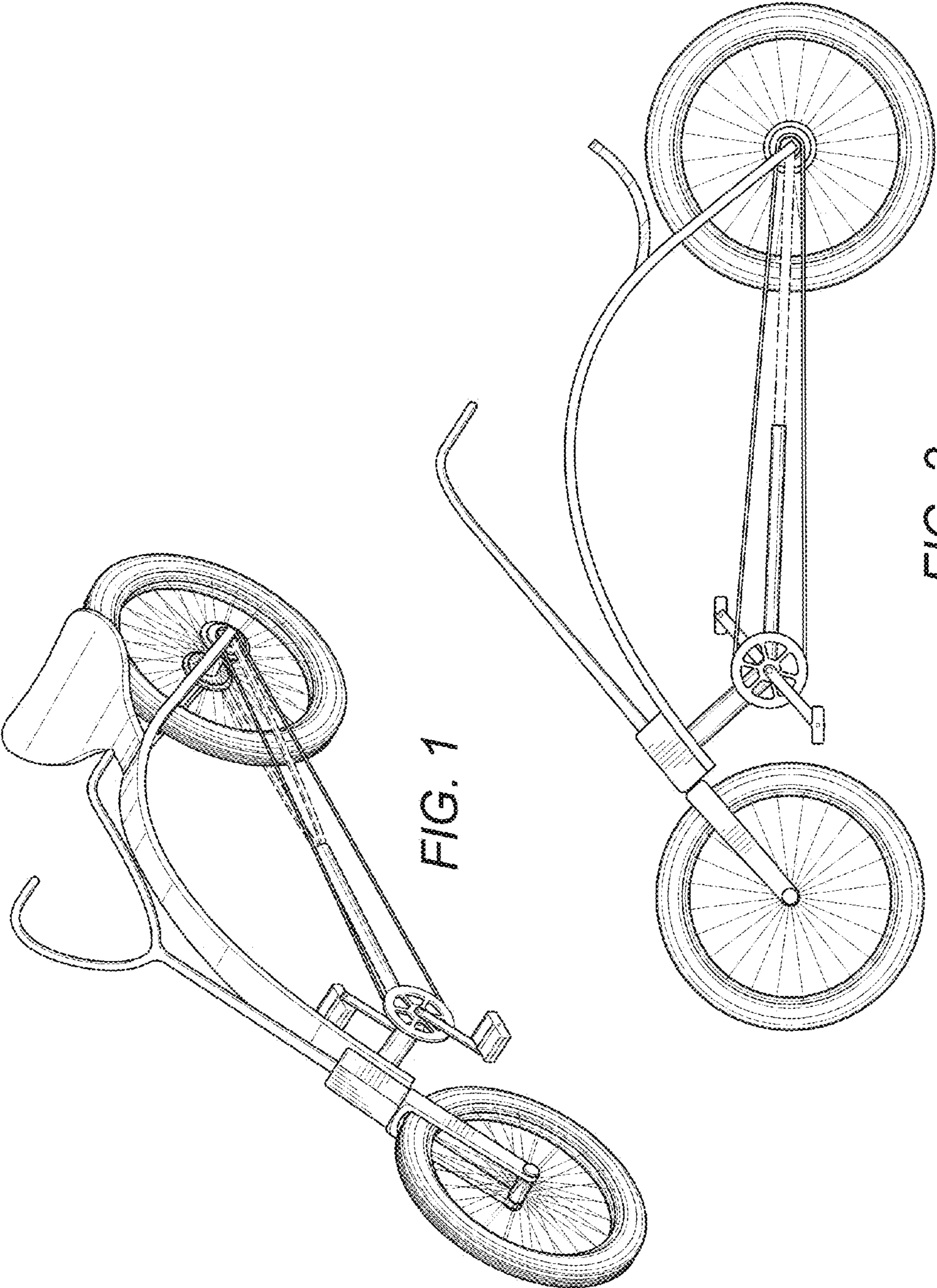


FIG. 1

FIG. 2

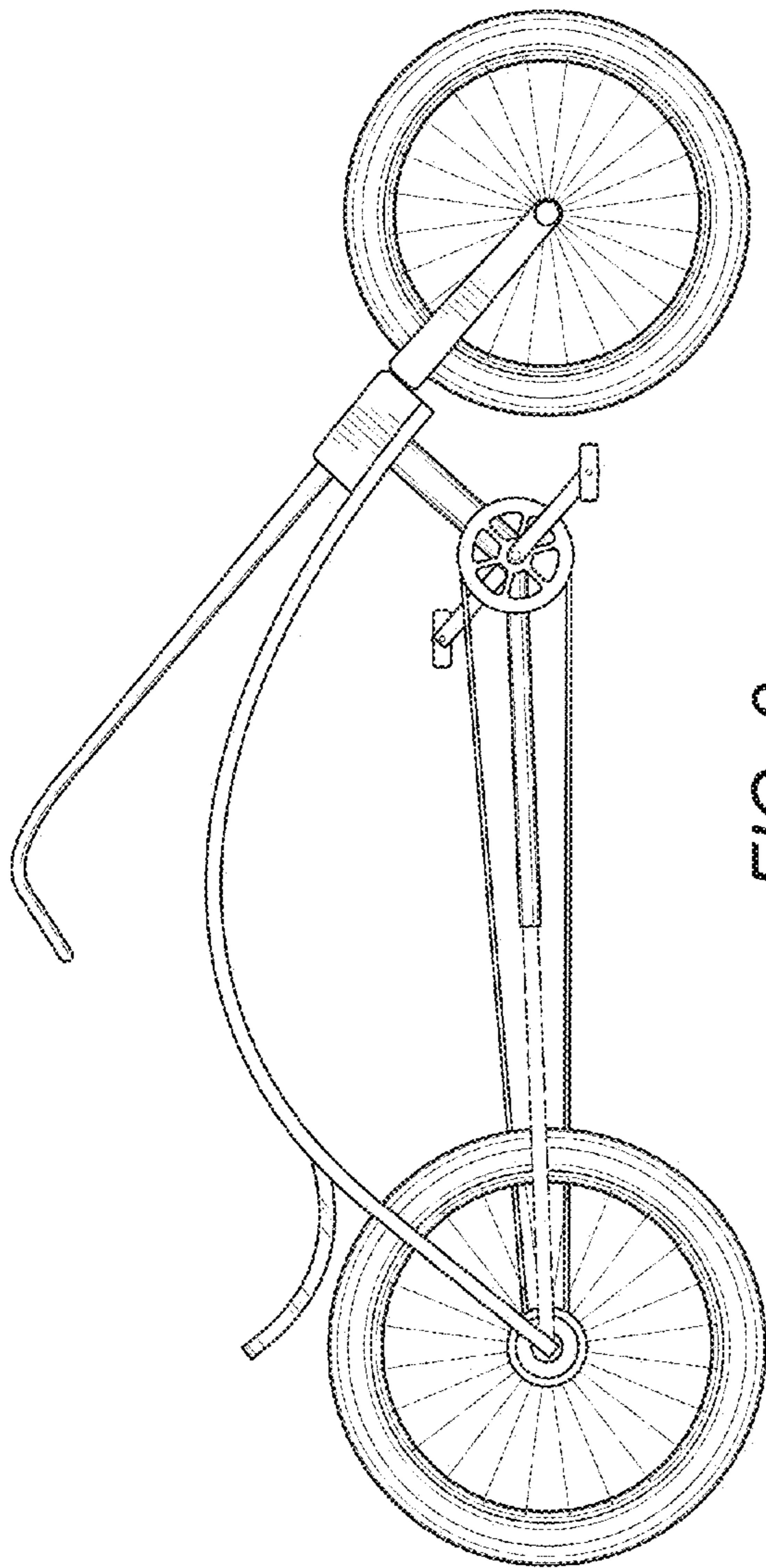


FIG. 3

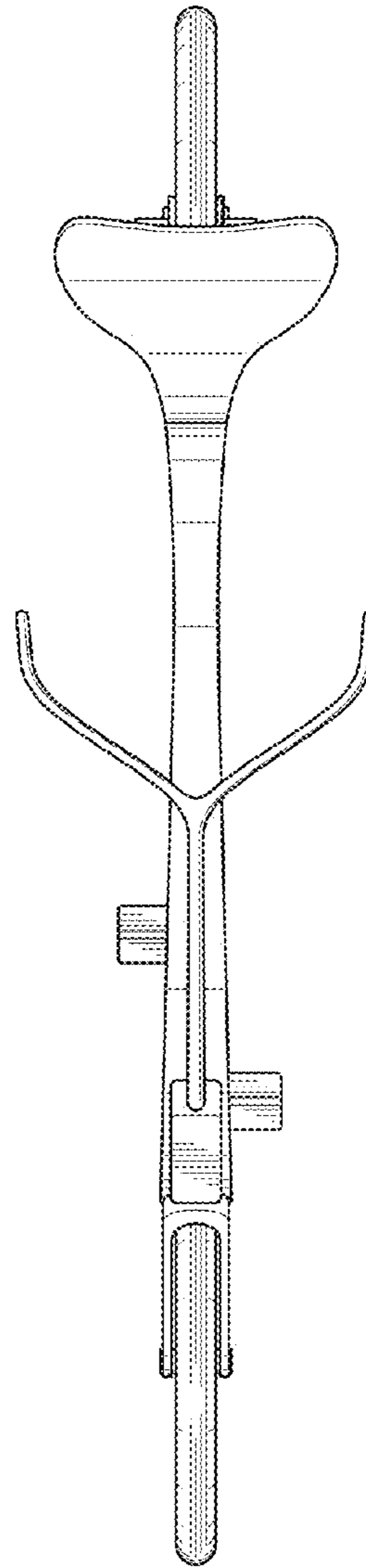


FIG. 4

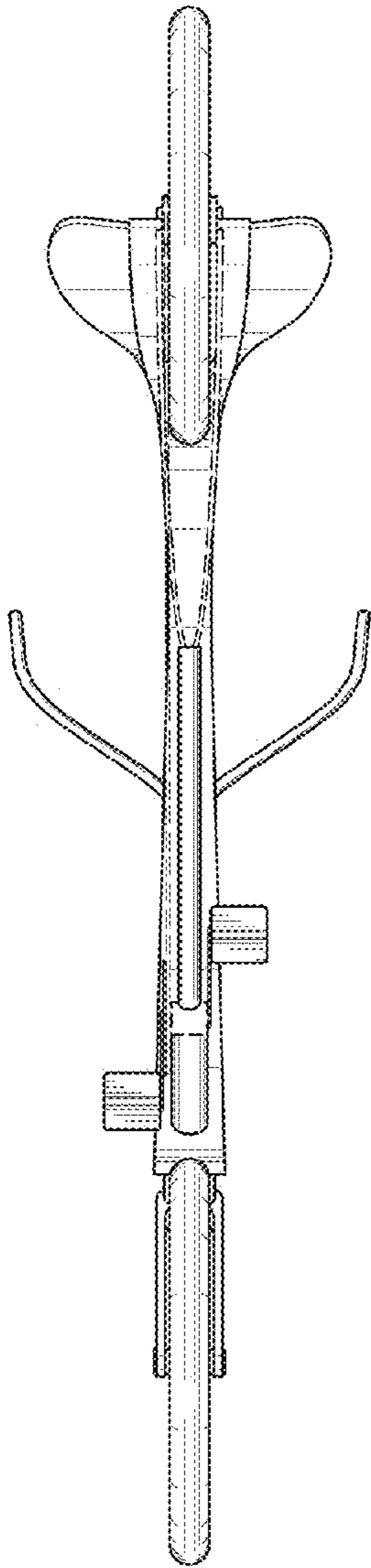


FIG. 5

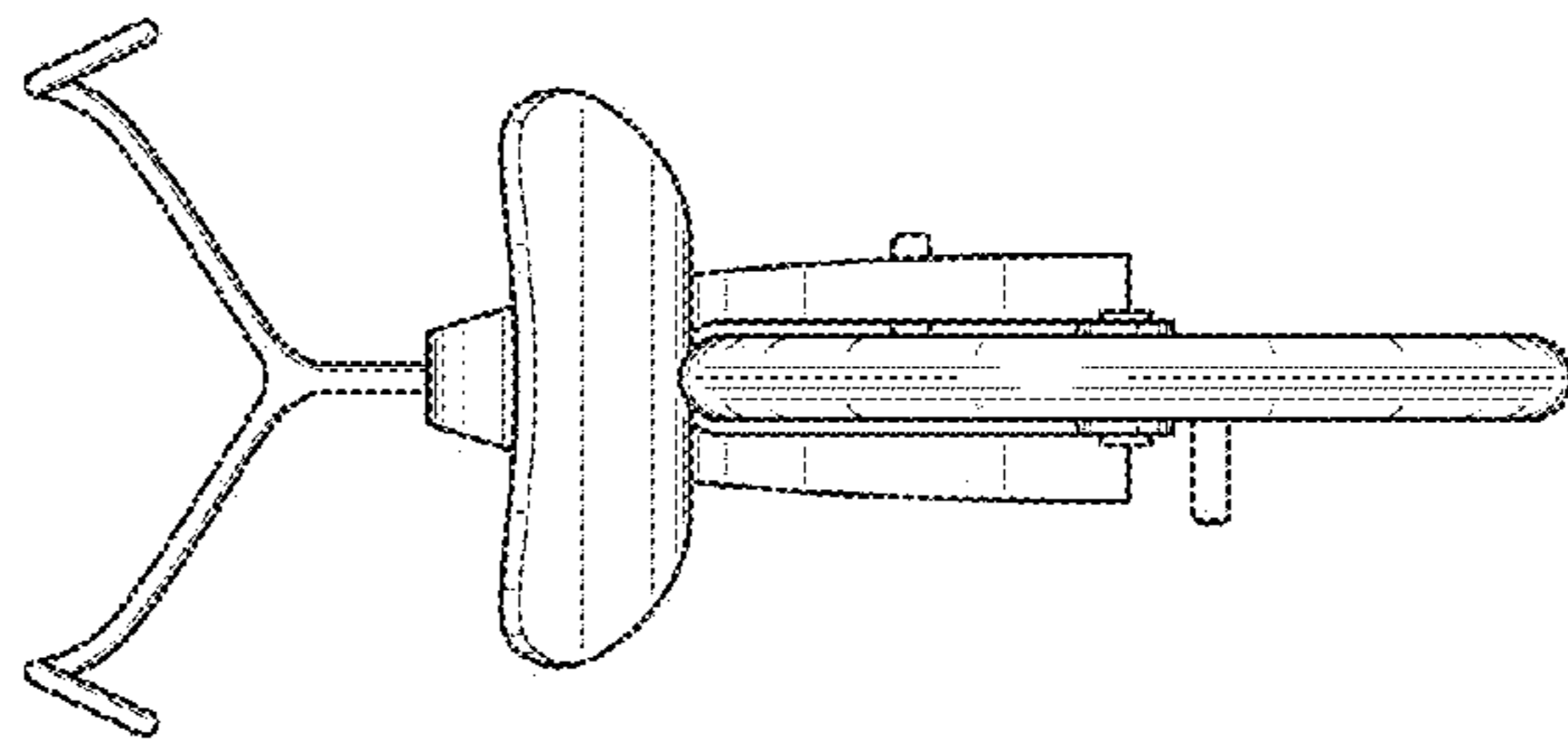


FIG. 7

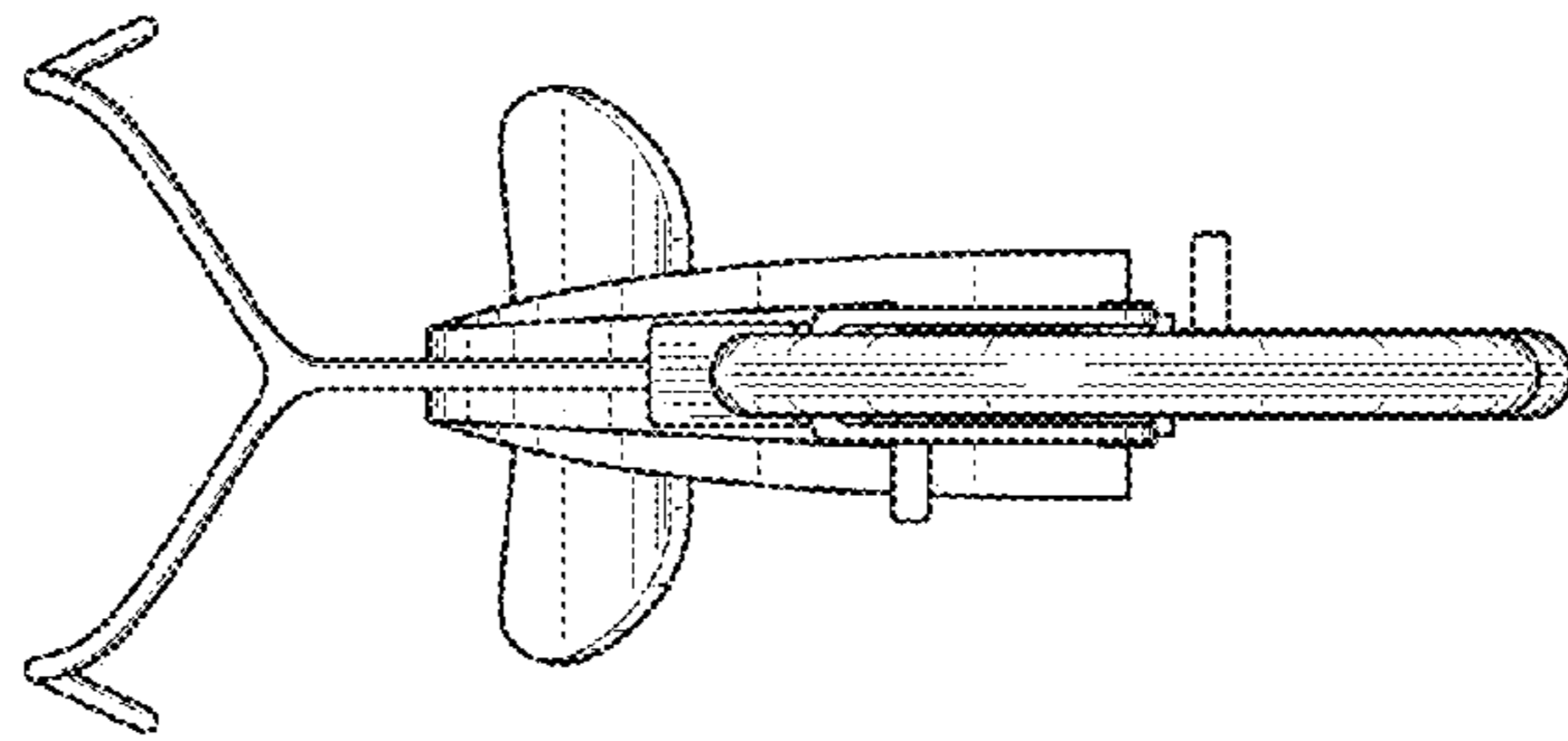


FIG. 6