

US00D739308S

(12) **United States Design Patent**  
**Barnaby Latham**

(10) **Patent No.:** **US D739,308 S**  
(45) **Date of Patent:** **\*\* Sep. 22, 2015**

(54) **BICYCLE**

(71) Applicant: **Richard David Barnaby Latham,**  
Wellington (NZ)

(72) Inventor: **Richard David Barnaby Latham,**  
Wellington (NZ)

(\*\*) Term: **14 Years**

(21) Appl. No.: **29/473,861**

(22) Filed: **Nov. 26, 2013**

(30) **Foreign Application Priority Data**

May 29, 2013 (NZ) ..... 417649

(51) **LOC (10) Cl.** ..... **12-11**

(52) **U.S. Cl.**  
USPC ..... **D12/111**

(58) **Field of Classification Search**  
USPC ..... D12/111, 108, 124, 109, 113, 112;  
D21/432, 419, 663, 435, 662; 280/283,  
280/276, 240, 281.1, 284, 256, 286, 265,  
280/268, 271, 288, 257, 279, 288.2, 274,  
280/282, 288.4, 210, 287, 278; 74/594.3,  
74/527; 16/44; 156/294; 180/68.5, 220;  
29/428; 224/419; 297/205, 207, 284.2,  
297/195.1, 215.16, 452.63, 202, 452.1

See application file for complete search history.

(56) **References Cited**

**U.S. PATENT DOCUMENTS**

D273,484 S \* 4/1984 Herbert ..... D12/111  
D473,495 S \* 4/2003 Niitsu et al. .... D12/111  
6,609,723 B2 \* 8/2003 Chuang ..... 280/287  
D487,234 S \* 3/2004 Chen et al. .... D12/111  
D497,122 S \* 10/2004 Uenaka ..... D12/111  
D498,438 S \* 11/2004 Ying ..... D12/111  
D540,716 S \* 4/2007 Mohr ..... D12/111  
7,216,410 B2 \* 5/2007 Chuang ..... 29/428  
D578,440 S \* 10/2008 Giugiaro ..... D12/111  
D594,787 S \* 6/2009 Dallaire ..... D12/111

D626,037 S \* 10/2010 Thetard ..... D12/111  
D659,597 S \* 5/2012 Chen ..... D12/111  
D685,683 S \* 7/2013 Shaw et al. .... D12/111  
D689,409 S \* 9/2013 Yap ..... D12/111  
D695,650 S \* 12/2013 Cho ..... D12/111  
8,814,194 B2 \* 8/2014 Kim et al. .... 280/278  
2006/0163837 A1 \* 7/2006 Sutherland ..... 280/284  
2007/0069499 A1 \* 3/2007 Lin ..... 280/287  
2012/0056399 A1 \* 3/2012 Hon et al. .... 280/278

(Continued)

**FOREIGN PATENT DOCUMENTS**

AU 2006-100968 12/2006  
CN 201980350 9/2011

(Continued)

**OTHER PUBLICATIONS**

Italtrike, Printed May 30, 2014, "Magic Wheels," <http://www.italtrike.com/en/abc-chocolate/53-magic-wheels-8010077002403.html>, 2 pages.

(Continued)

*Primary Examiner* — Robert M Spear  
*Assistant Examiner* — Ryan Harvey  
(74) *Attorney, Agent, or Firm* — Kagan Binder, PLLC

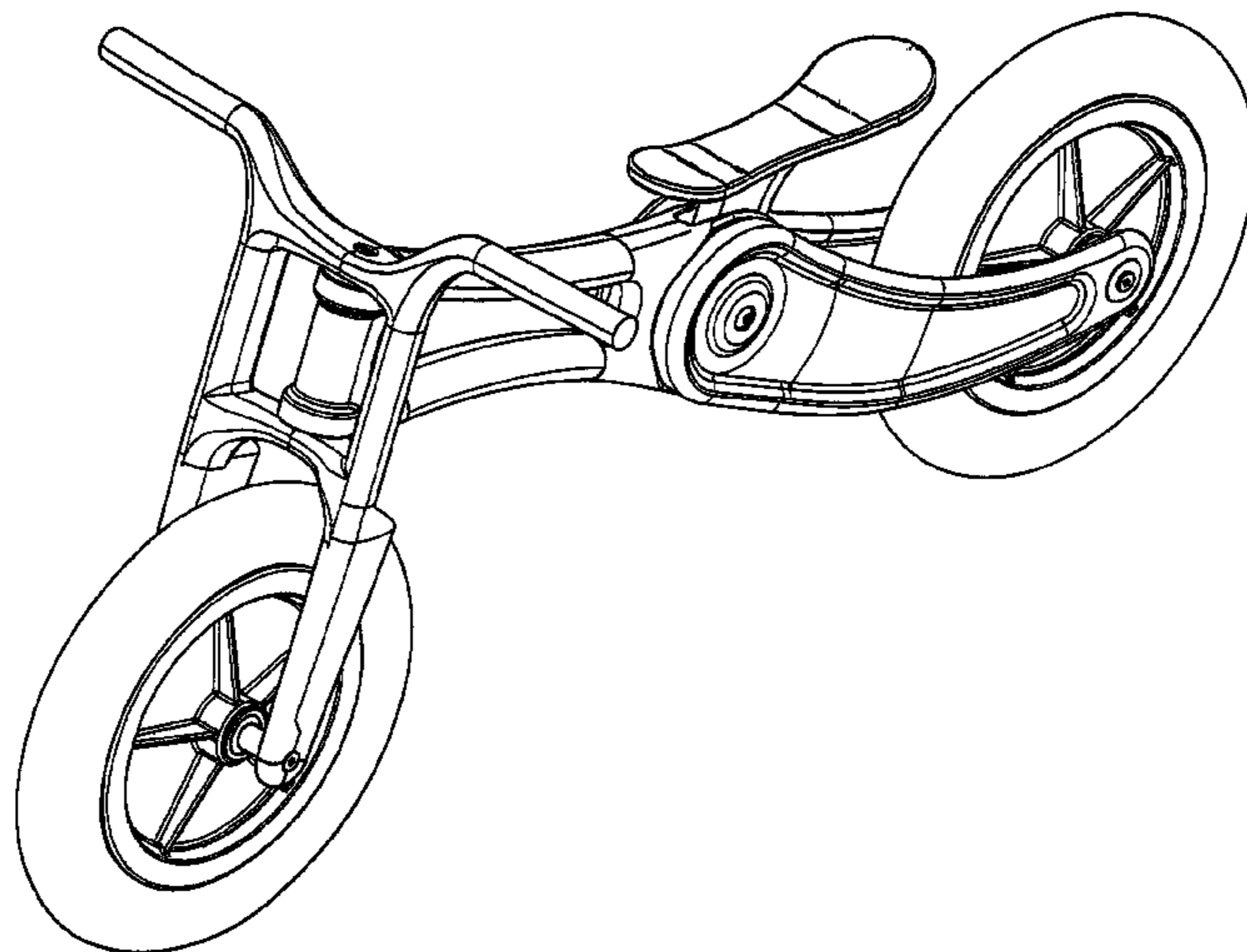
(57) **CLAIM**

The ornamental design for a bicycle, as shown and described.

**DESCRIPTION**

FIG. 1 is a front perspective view of a bicycle of the present design in a neutral position;  
FIG. 2 is a side view of the bicycle of FIG. 1 in the neutral position;  
FIG. 3 is a side view of the bicycle of FIG. 1 in a lowered position;  
FIG. 4 is a side view of the bicycle of FIG. 1 in a raised position; and,  
FIG. 5 is a bottom plan view of the bicycle of FIG. 1.

**1 Claim, 5 Drawing Sheets**



(56)

References Cited

OTHER PUBLICATIONS

U.S. PATENT DOCUMENTS

2012/0060639	A1 *	3/2012	Huang	74/527
2012/0169029	A1 *	7/2012	Marais et al.	280/287
2013/0043667	A1 *	2/2013	Dodman et al.	280/278
2013/0087988	A1 *	4/2013	Wang et al.	280/287
2013/0087989	A1 *	4/2013	Beistegui Chirapozu et al.	280/287
2014/0076651	A1 *	3/2014	Kim et al.	180/220
2014/0076652	A1 *	3/2014	Kim et al.	180/220

FOREIGN PATENT DOCUMENTS

CN	201980351	9/2011
DE	102011052290	1/2013

Italtrike, Printed May 30, 2014, "Triciclino Chocolate," <http://www.italtrike.com/en/abc-chocolate/57-triciclino-chocolate-8010077002304.html>, 1 page.

Italtrike, "Magic2 Wheels," Assembly Instructions, (undated), 1 page.

Italtrike, "Magic3 Wheels," Assembly Instructions, (undated), 1 page.

\* cited by examiner

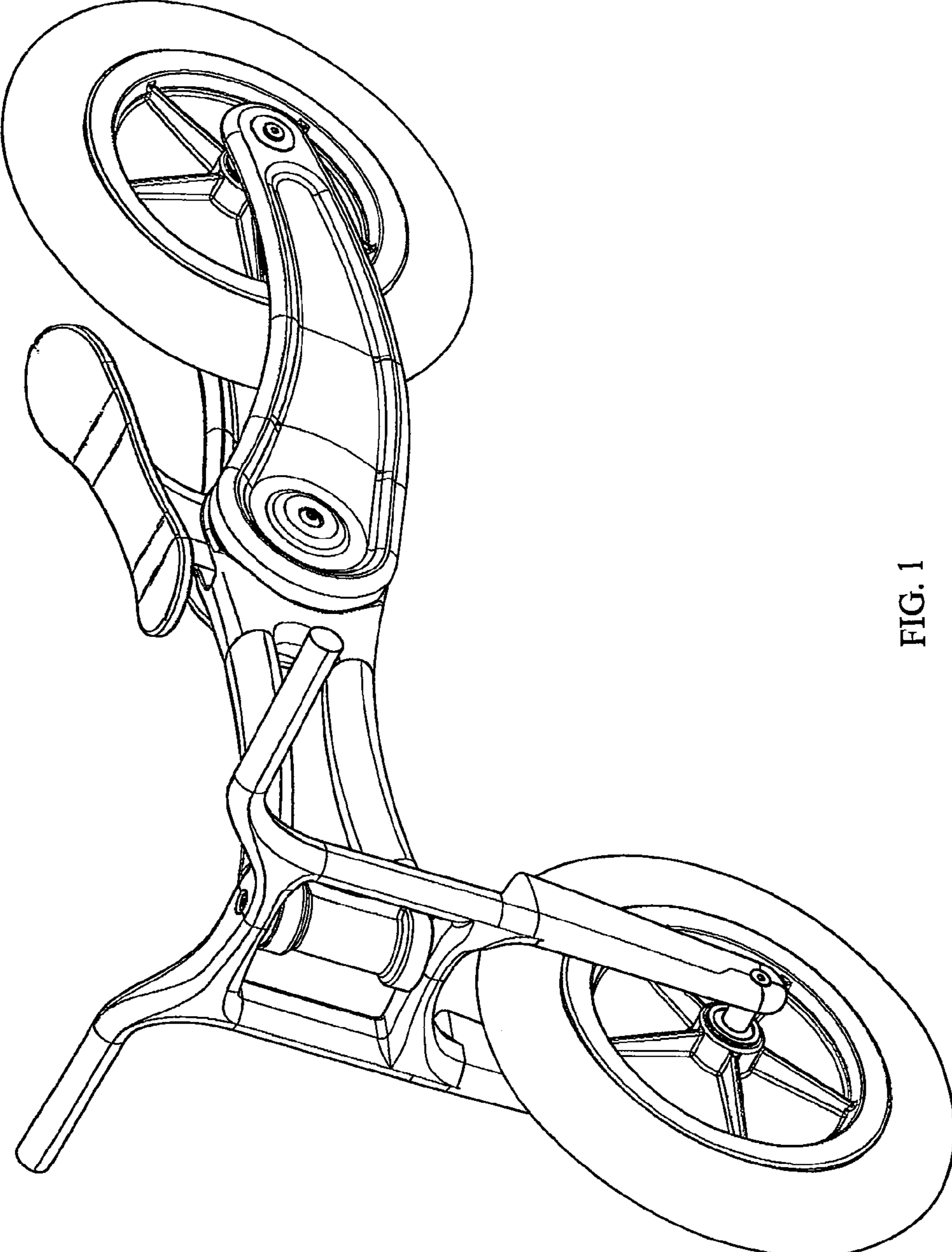


FIG. 1



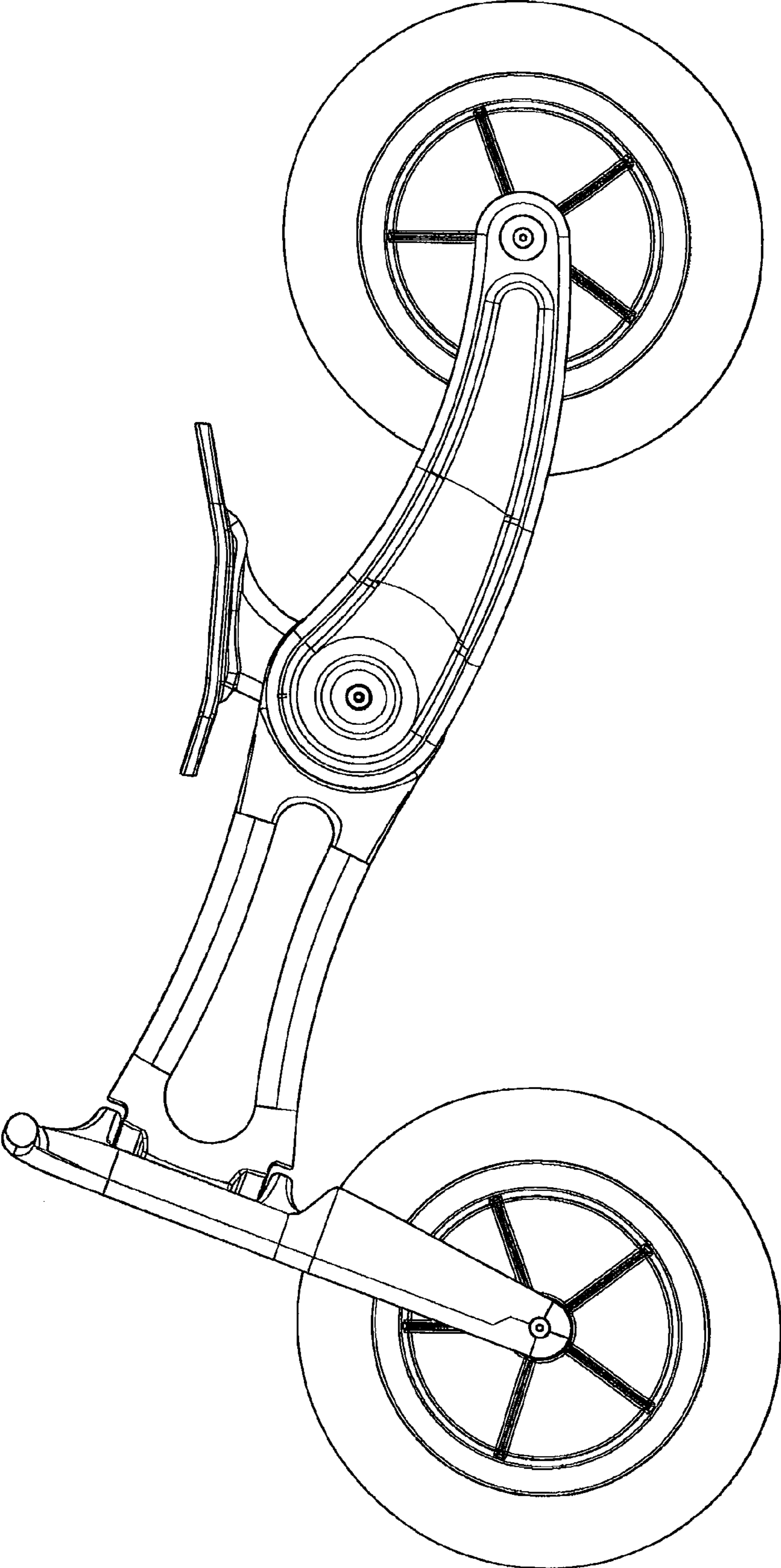


FIG. 2

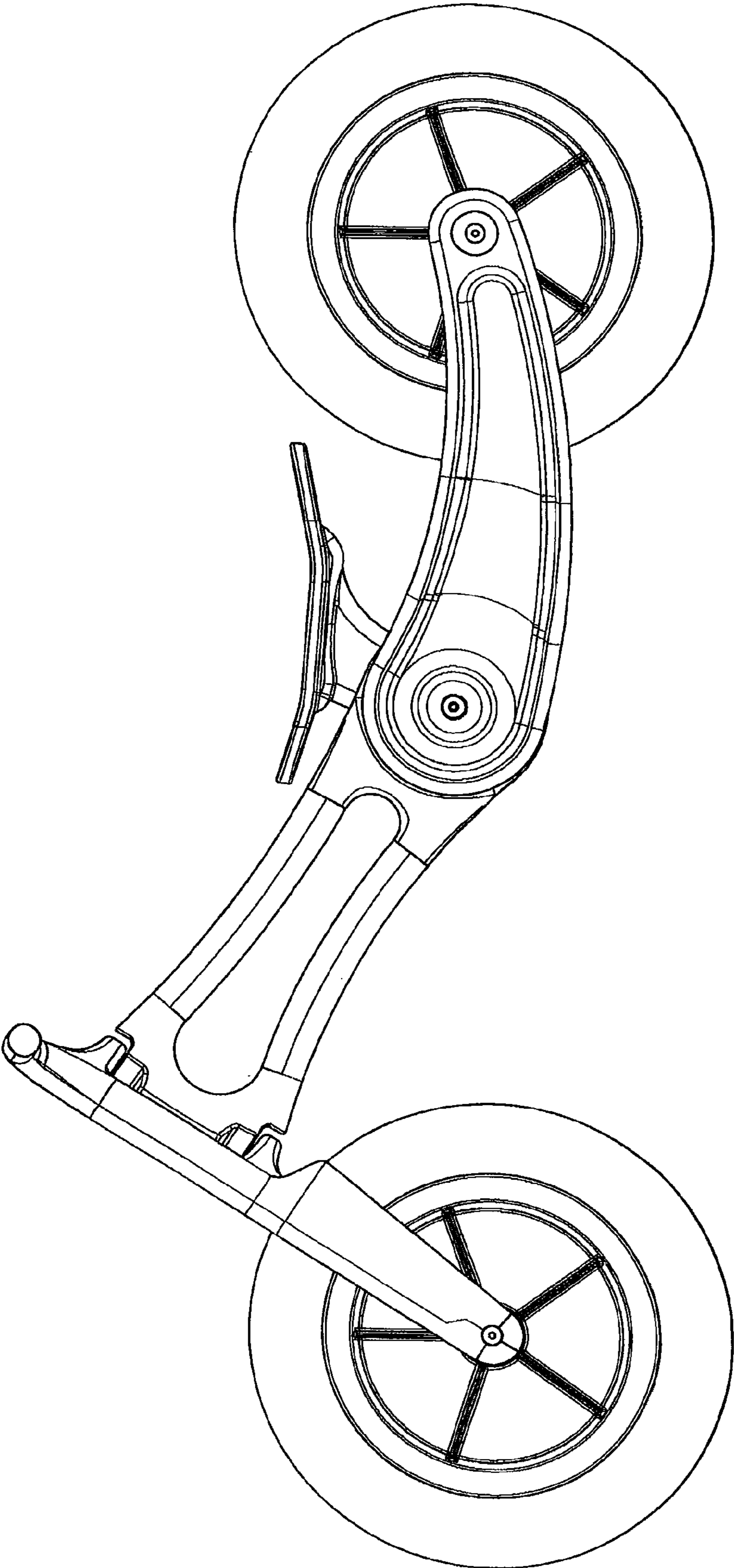


FIG. 3

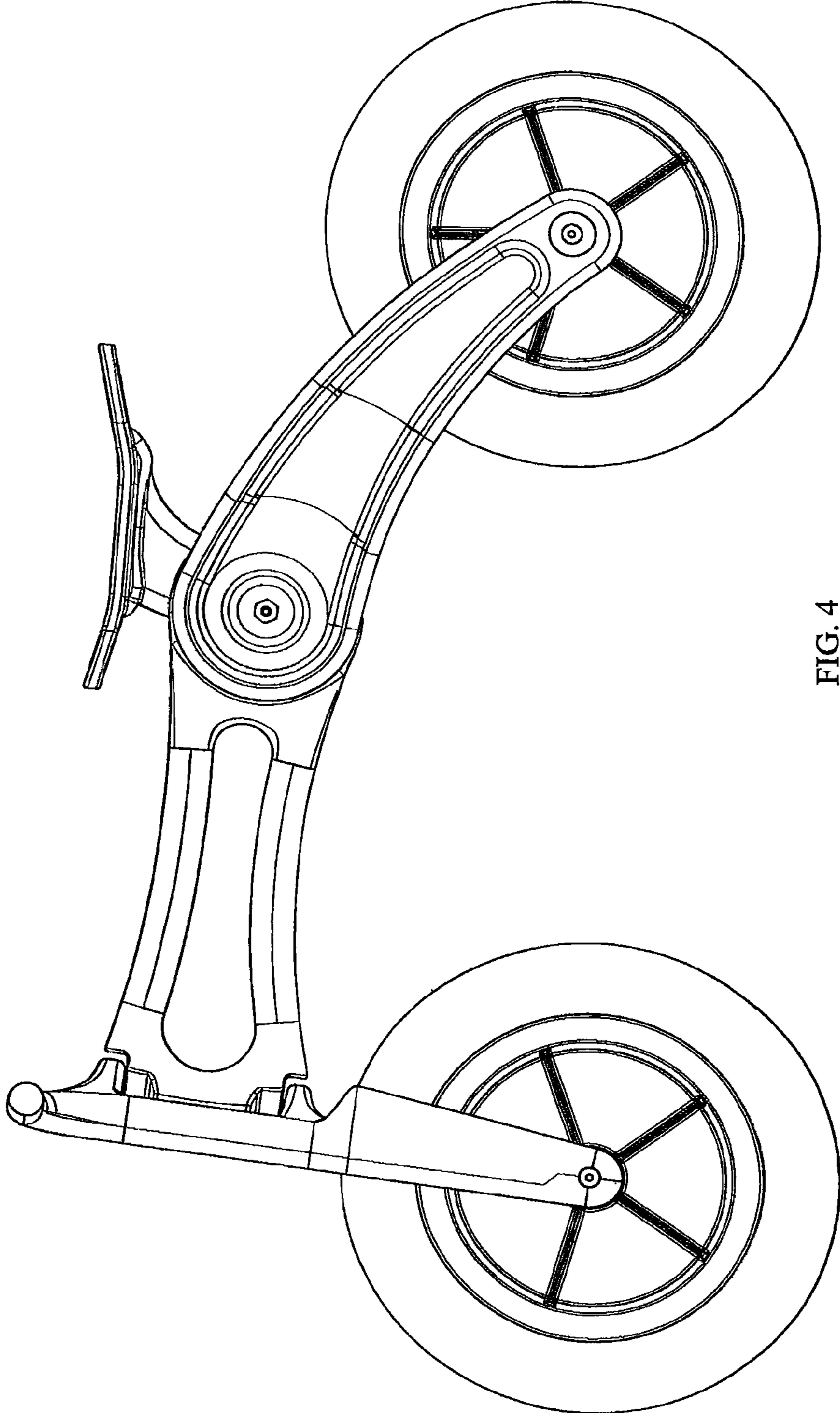


FIG. 4

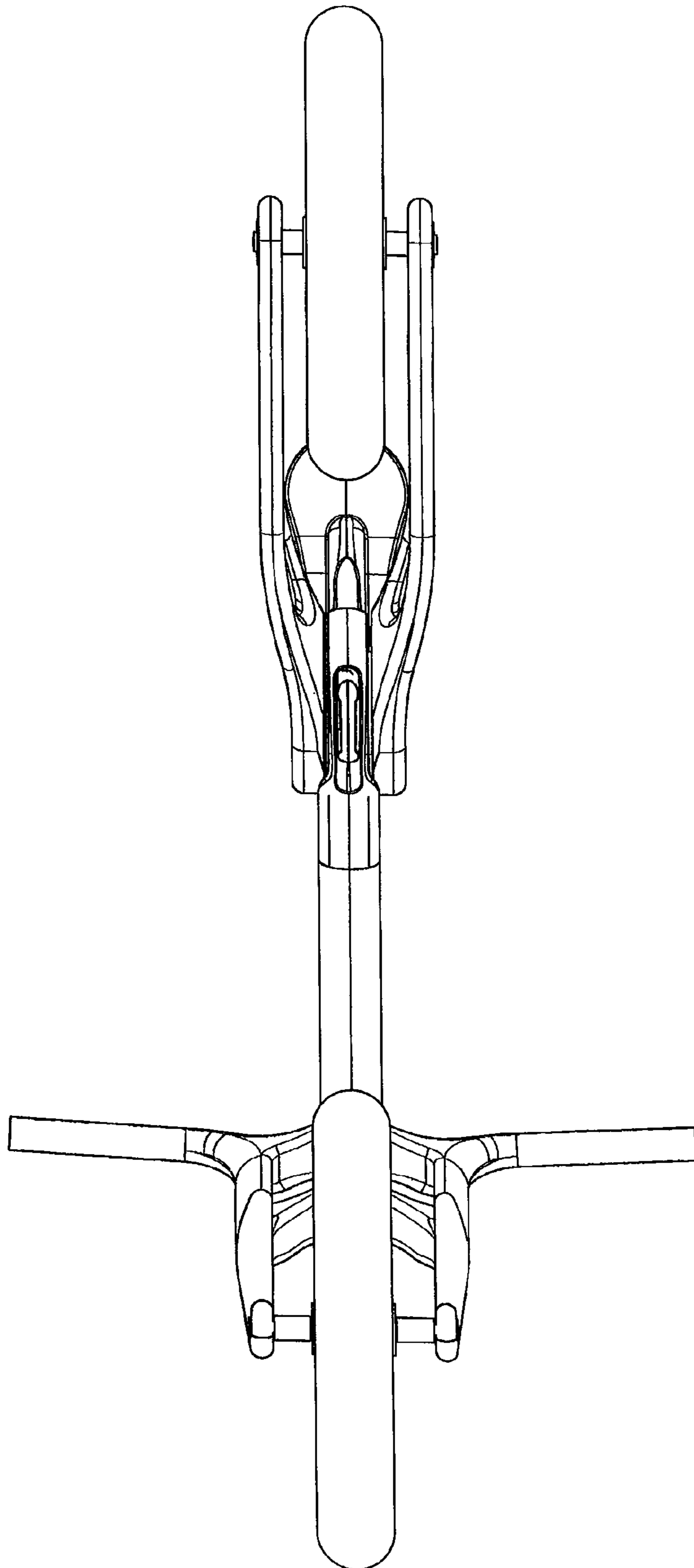


FIG. 5