



US00D739306S

(12) **United States Design Patent**
McMahan et al.

(10) **Patent No.:** **US D739,306 S**
(45) **Date of Patent:** **** Sep. 22, 2015**

- (54) **VEHICLE BODY EXTERIOR**
- (71) Applicant: **GM GLOBAL TECHNOLOGY OPERATIONS LLC**, Detroit, MI (US)
- (72) Inventors: **Robert B. McMahan**, Bloomfield Hills, MI (US); **Brendon C. Mackay**, Shelby Township, MI (US); **Tyler L. H. Moffett**, Detroit, MI (US)
- (73) Assignee: **GM Global Technology Operations LLC**, Detroit, MI (US)

D659,053 S 5/2012 Ware et al.
 D678,820 S 3/2013 Song et al.
 D700,871 S * 3/2014 O'Donnell et al. D12/98
 D725,001 S * 3/2015 McMahan et al. D12/98

OTHER PUBLICATIONS

Design U.S. Appl. No. 29/435,117, filed Oct. 19, 2012; First Named Inventor: Kevin M. O'Donnell; Title: Vehicle Body Exterior.
 Design U.S. Appl. No. 29/439,307, filed Dec. 10, 2012; First Named Inventor: Brendon C. Mackay; Title: Vehicle Body Exterior.
 Design U.S. Appl. No. 29/478,501, filed Jan. 6, 2014; First Named Inventor: Robert B. McMahan; Title: Vehicle Body Exterior.

(**) Term: **14 Years**

* cited by examiner

(21) Appl. No.: **29/491,286**

Primary Examiner — Melody Brown

(22) Filed: **May 20, 2014**

(74) *Attorney, Agent, or Firm* — Lionel D. Anderson; Reising Ethington P.C.

(51) **LOC (10) Cl.** **12-08**

(52) **U.S. Cl.**
USPC **D12/98**

(58) **Field of Classification Search**
USPC D12/86, 90–92, 88, 98; D21/424, 433, D21/434; 296/181.1, 181.5, 181.3, 183.1
CPC B60R 9/06; B62D 35/00
See application file for complete search history.

(57) **CLAIM**

The ornamental design for a vehicle body exterior, as shown and described.

DESCRIPTION

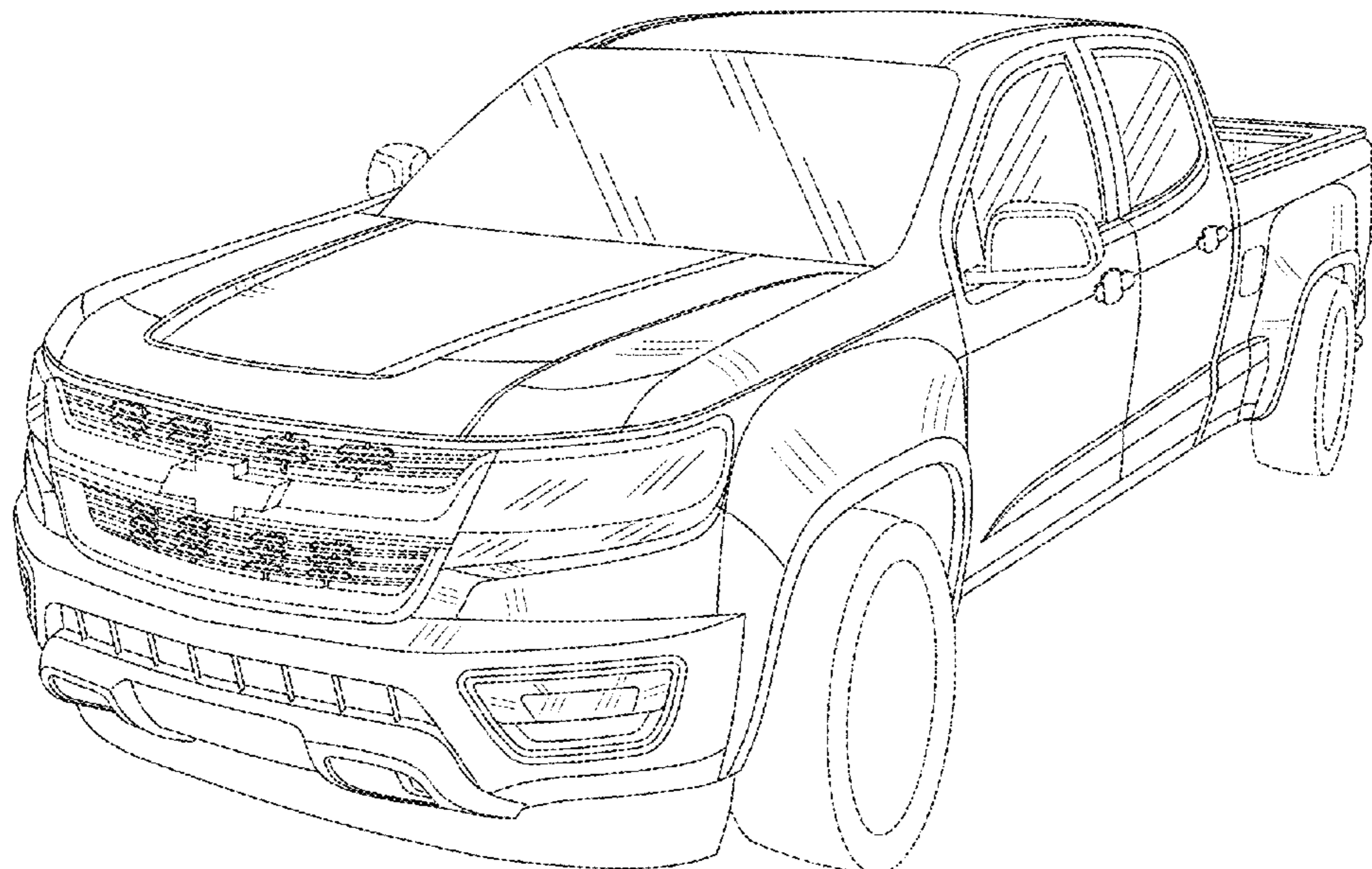
FIG. 1 is a front view of the vehicle body exterior;
 FIG. 2 is a front and left side perspective view thereof;
 FIG. 3 is a left side elevation view thereof (where the right side elevation view is a mirror image except that the right side elevation view would not depict a gas cap cover);
 FIG. 4 is a top plan view thereof;
 FIG. 5 is a rear and left side perspective view thereof; and,
 FIG. 6 is a rear perspective view thereof.
 The broken lines shown in the drawings depict portions of the vehicle body exterior that form no part of the claimed design.

(56) **References Cited**

U.S. PATENT DOCUMENTS

D570,742 S 6/2008 Takagi et al.
 D600,595 S 9/2009 Nakamura et al.
 D601,925 S 10/2009 O'Donnell
 D604,203 S 11/2009 O'Donnell
 D618,595 S 6/2010 Ware et al.
 D657,718 S 4/2012 Zipfel et al.
 D659,052 S 5/2012 Ware et al.

1 Claim, 6 Drawing Sheets



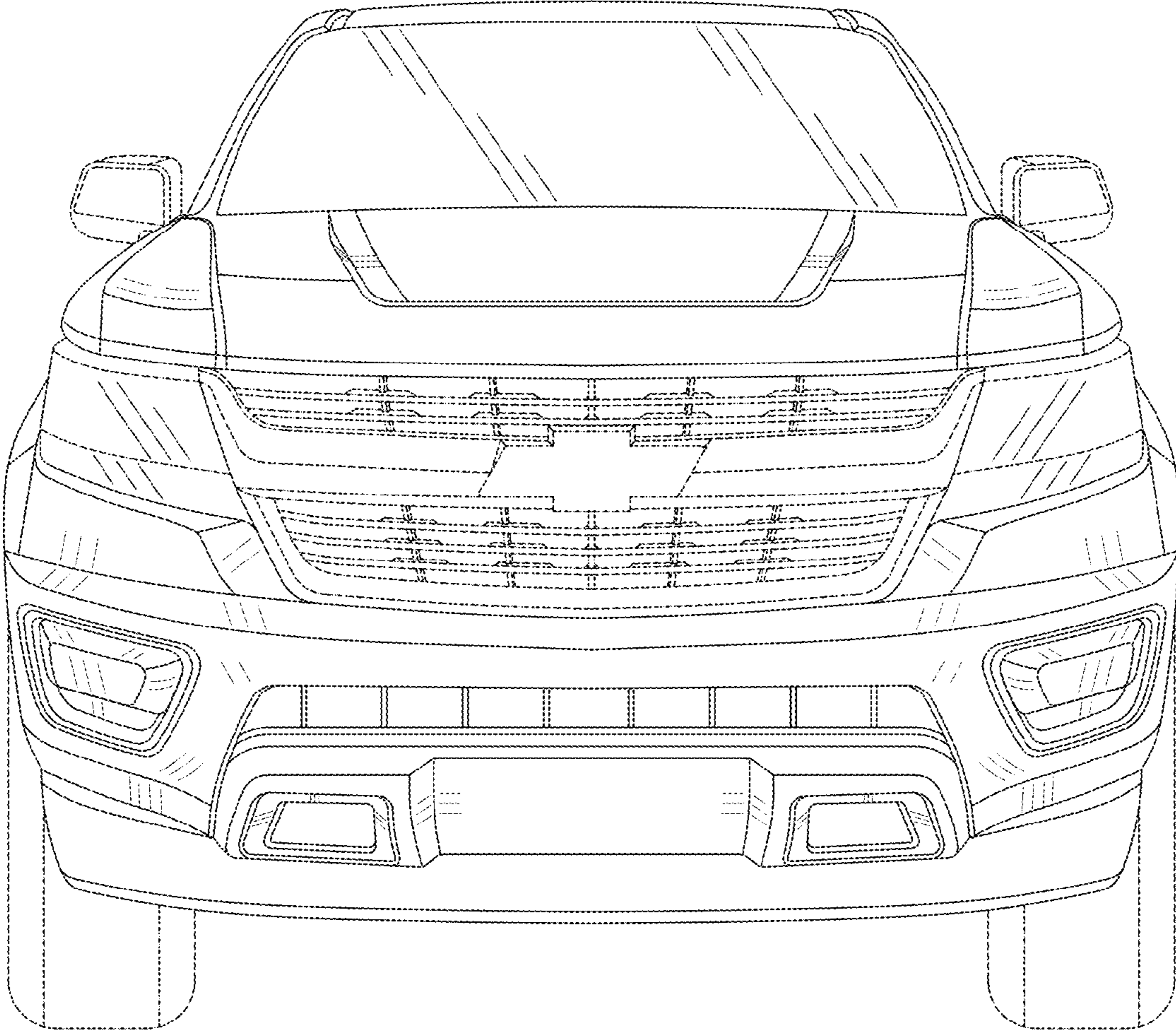


Fig-1

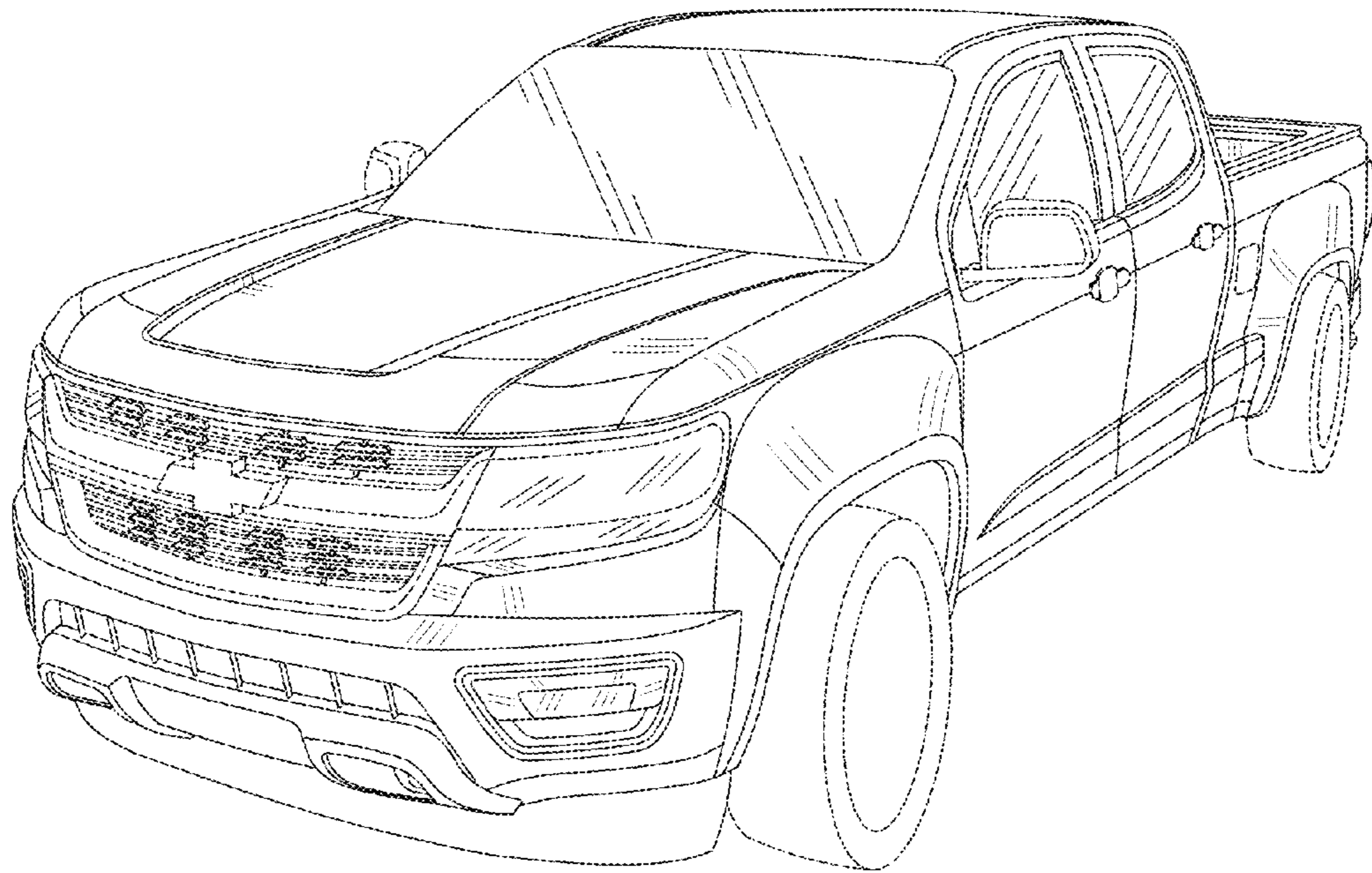


Fig-2

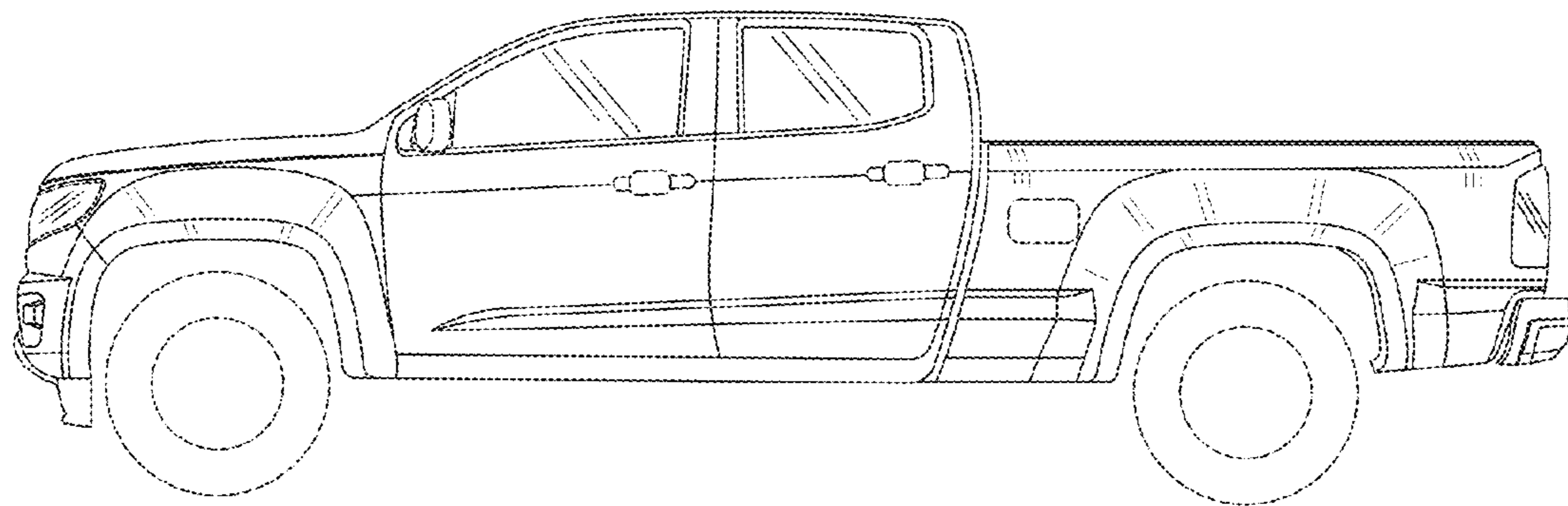


Fig-3

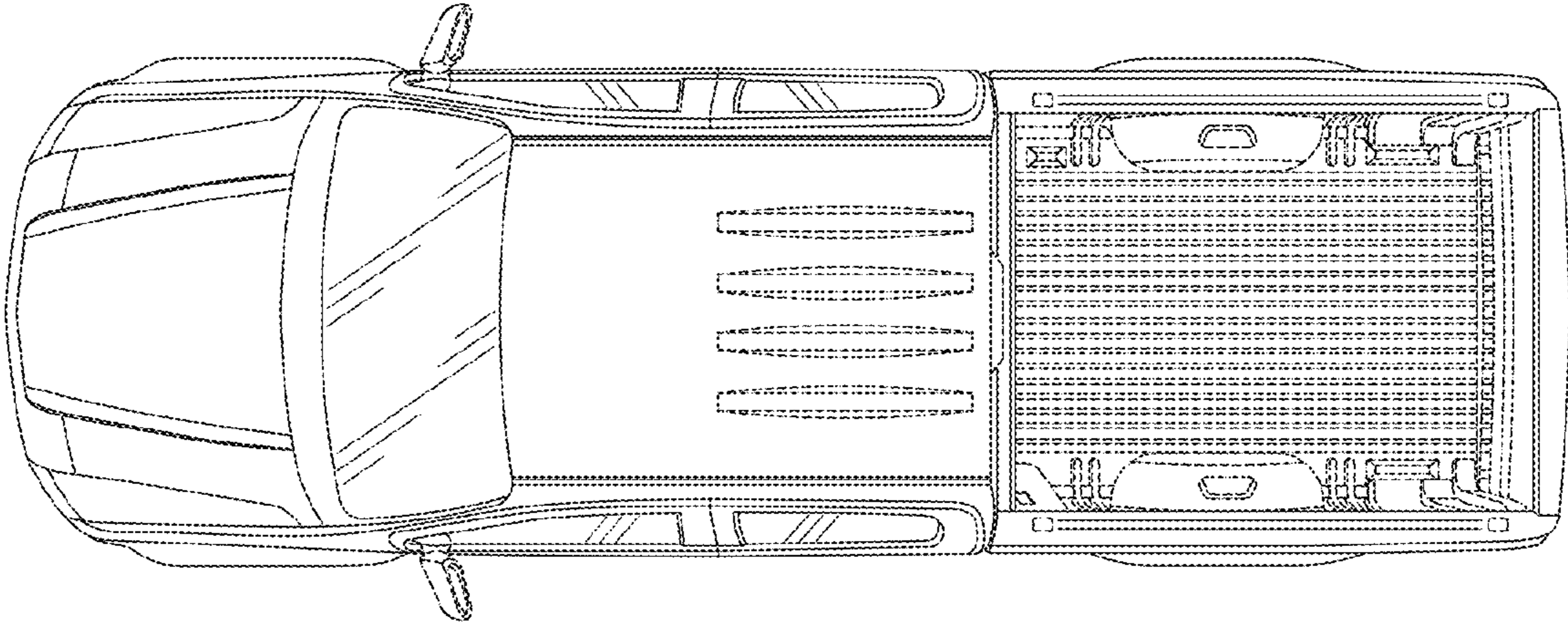


Fig-4

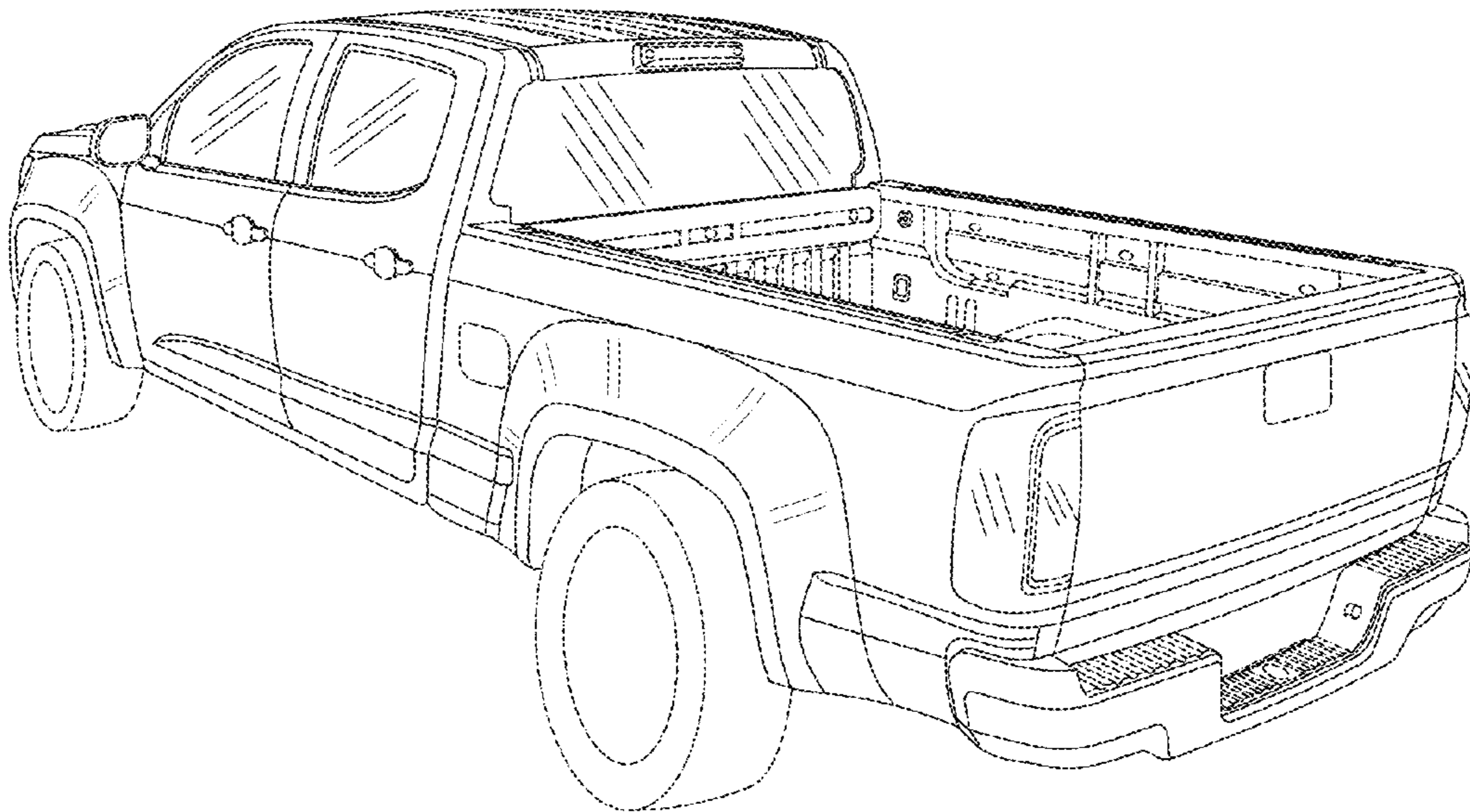


Fig-5

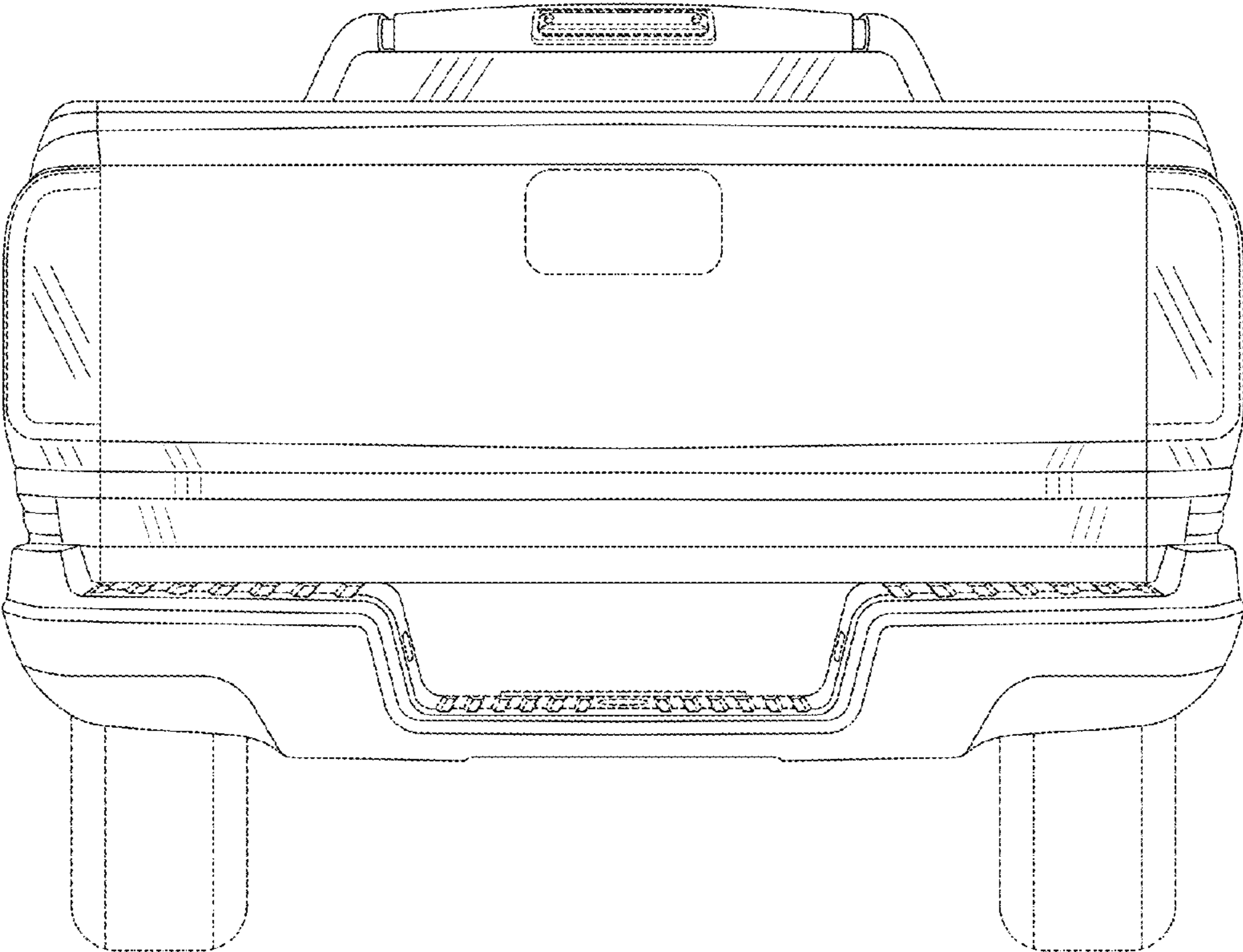


Fig-6