



US00D739304S

(12) **United States Design Patent**  
**Brown**

(10) **Patent No.:** **US D739,304 S**  
(45) **Date of Patent:** **\*\* Sep. 22, 2015**

(54) **OFF-ROAD VEHICLE**

FOREIGN PATENT DOCUMENTS

(71) Applicant: **Stephen Brown**, Birmingham, AL (US)

WO WO 13/009324 A1 1/2013

(72) Inventor: **Stephen Brown**, Birmingham, AL (US)

OTHER PUBLICATIONS

(\*\*) Term: **14 Years**

“The New Torque VLE Off-Road Electric Vehicle.” Torq VLE Press Release., Nov. 13, 2014 [online], [retrieved on Mar. 19, 2015]. Retrieved from the Internet <URL: <http://www.torq-vle.com/media/>>.\*

(21) Appl. No.: **29/491,389**

(Continued)

(22) Filed: **May 20, 2014**

(51) **LOC (10) Cl.** ..... **12-08**

(52) **U.S. Cl.**  
USPC ..... **D12/87**

(58) **Field of Classification Search**  
USPC ..... D12/3, 4, 5, 14, 85, 86, 87, 107, 110;  
280/183–185, DIG. 5, 1, 16, 82, 88, 90,  
280/14; 180/233, 908  
CPC ..... A01B 59/02; A61G 3/08; B62B 5/04;  
B62B 13/10; B62B 19/04; B62B 2202/404;  
B62C 9/00; B62D 7/22; B62K 5/01; B60K  
23/0808

*Primary Examiner* — Philip S Hyder

*Assistant Examiner* — Darlington Ly

(74) *Attorney, Agent, or Firm* — Robert J. Veal

See application file for complete search history.

(57) **CLAIM**

The ornamental design for a off-road vehicle, as shown and described.

**DESCRIPTION**

(56) **References Cited**

U.S. PATENT DOCUMENTS

3,773,131	A	11/1973	Jaulmes	
D268,746	S *	4/1983	Greenhalgh et al. ....	D12/88
D286,760	S *	11/1986	Ooba et al. ....	D12/87
D299,705	S *	2/1989	Carpanelli et al. ....	D12/88
D312,989	S *	12/1990	Murata et al. ....	D12/87
5,477,936	A	12/1995	Sugioka et al.	
D500,707	S *	1/2005	Lu .....	D12/87
D586,695	S *	2/2009	Burns .....	D12/87
D682,739	S *	5/2013	Patterson et al. ....	D12/87
8,469,129	B2	6/2013	Mildner et al.	
8,561,743	B2	10/2013	Iwasa et al.	
D705,127	S *	5/2014	Patterson et al. ....	D12/87
D705,128	S *	5/2014	Patterson et al. ....	D12/87
8,899,364	B1 *	12/2014	Al Qanaei .....	180/89.1
2004/0129489	A1 *	7/2004	Brasseal et al. ....	180/350
2005/0173180	A1 *	8/2005	Hypes et al. ....	180/292

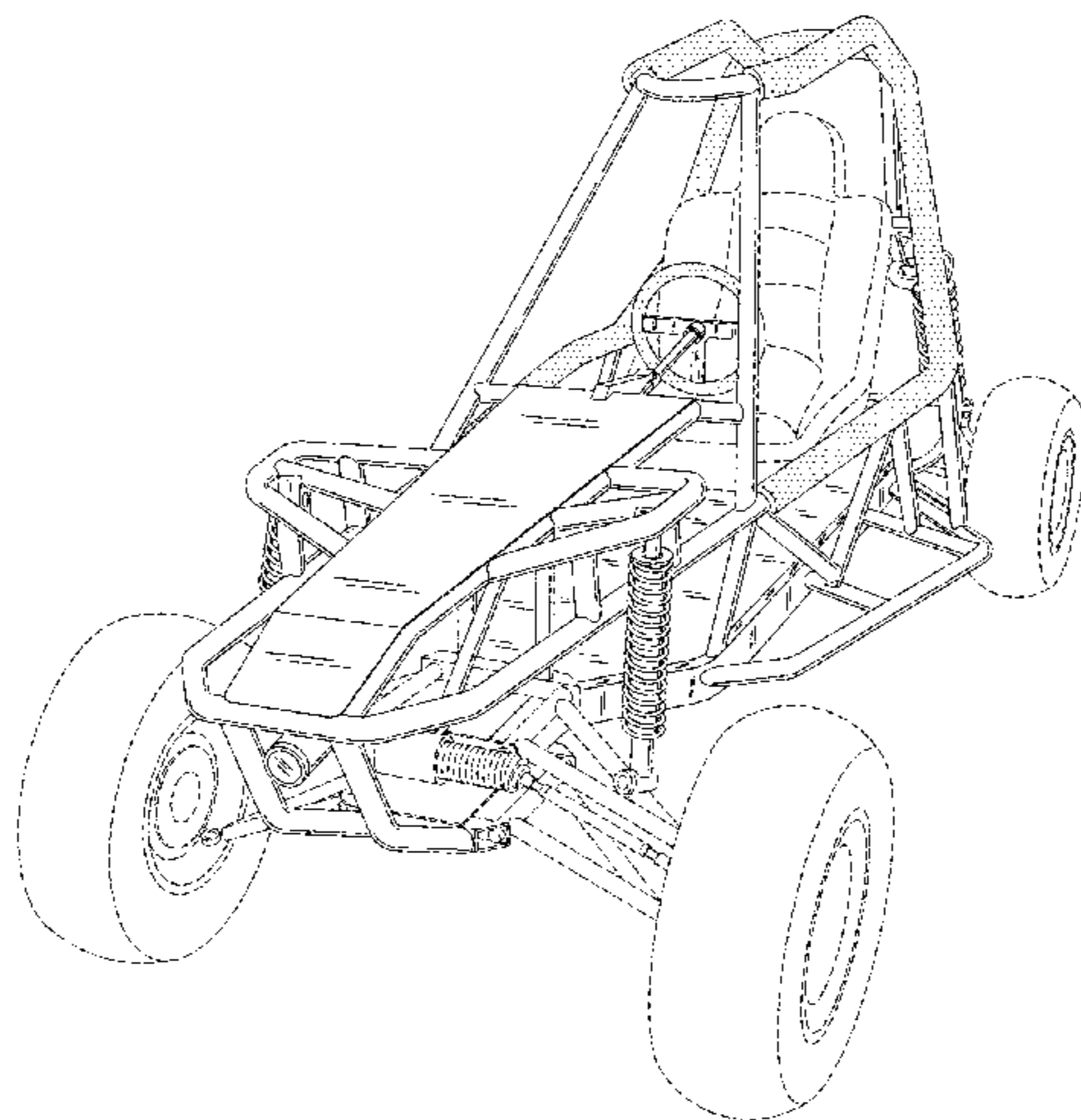
FIG. 1 is a front and left-side perspective view of the off-road vehicle showing my new design;  
FIG. 2 is a rear and right perspective view thereof;  
FIG. 3 is a left-side elevation view of the utility vehicle, wherein the opposing right-side is a mirror image thereof;  
FIG. 4 is a top plan view thereof;  
FIG. 5 is a front elevation view thereof;  
FIG. 6 is a rear elevation view thereof; and,  
FIG. 7 is a front and left-side perspective view thereof with the front cover panel removed.

The broken line showing parts of the structural frame, seat, wheels, tires and other mechanical components are for the purpose of illustrating portions of the off-road vehicle and form no part of the claimed design.

Furthermore, the stipple shading shown on the thickened sleeves over some of the tubular frames are provided for the purpose of illustrating a contrast in material. No specific materials, however, are claimed.

(Continued)

**1 Claim, 7 Drawing Sheets**



(56)

**References Cited**

U.S. PATENT DOCUMENTS

2007/0000715 A1 \* 1/2007 Denney ..... 180/311  
2012/0125702 A1 5/2012 Bergfjord  
2012/0193163 A1 8/2012 Wimpfheimer et al.

2012/0247856 A1 10/2012 Shinde et al.

OTHER PUBLICATIONS

Ron Kaylor, Custom Electric Conversion, <http://www.kaylor-kit.4t.com/photo.html>.

\* cited by examiner

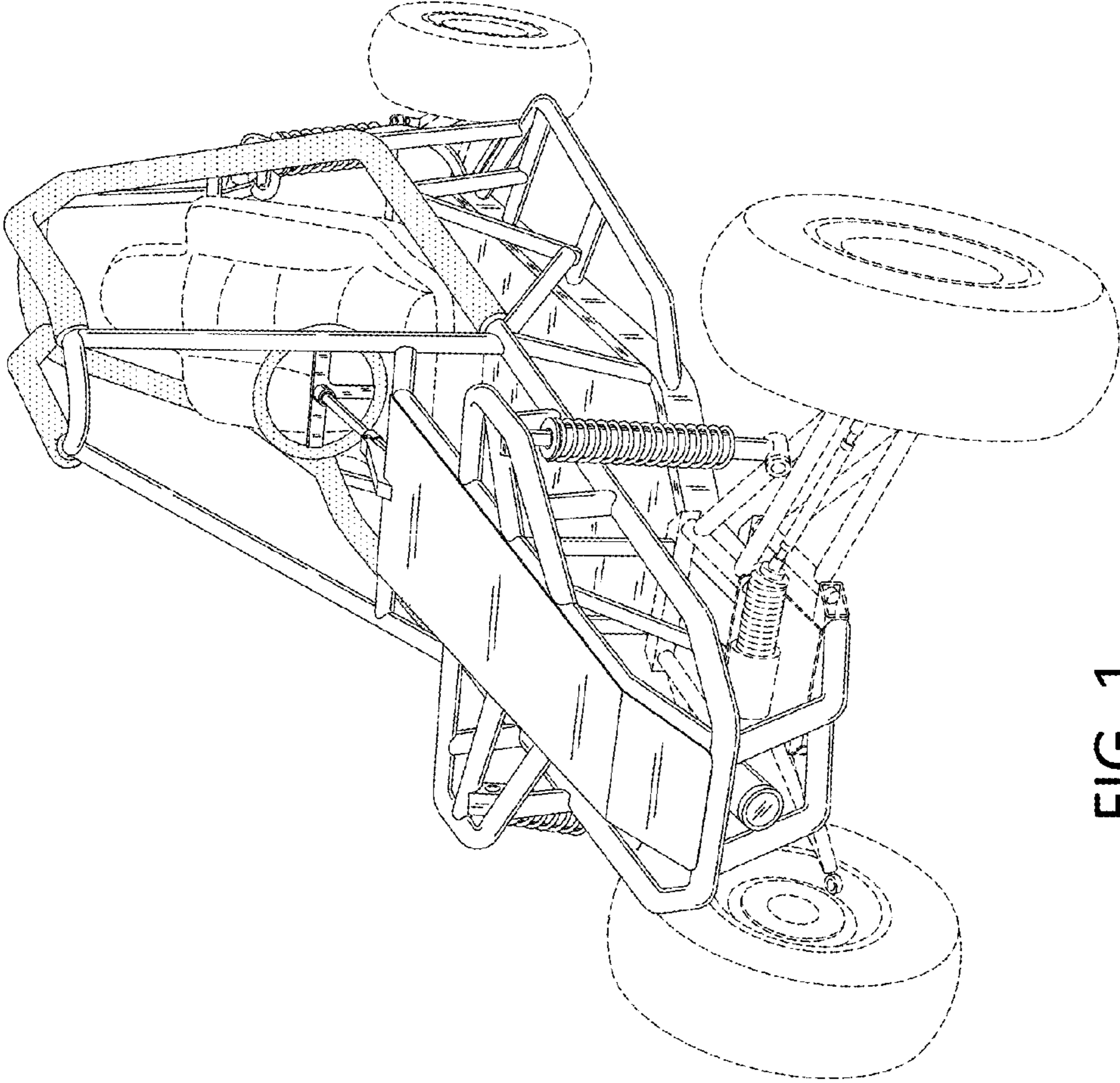


FIG. 1

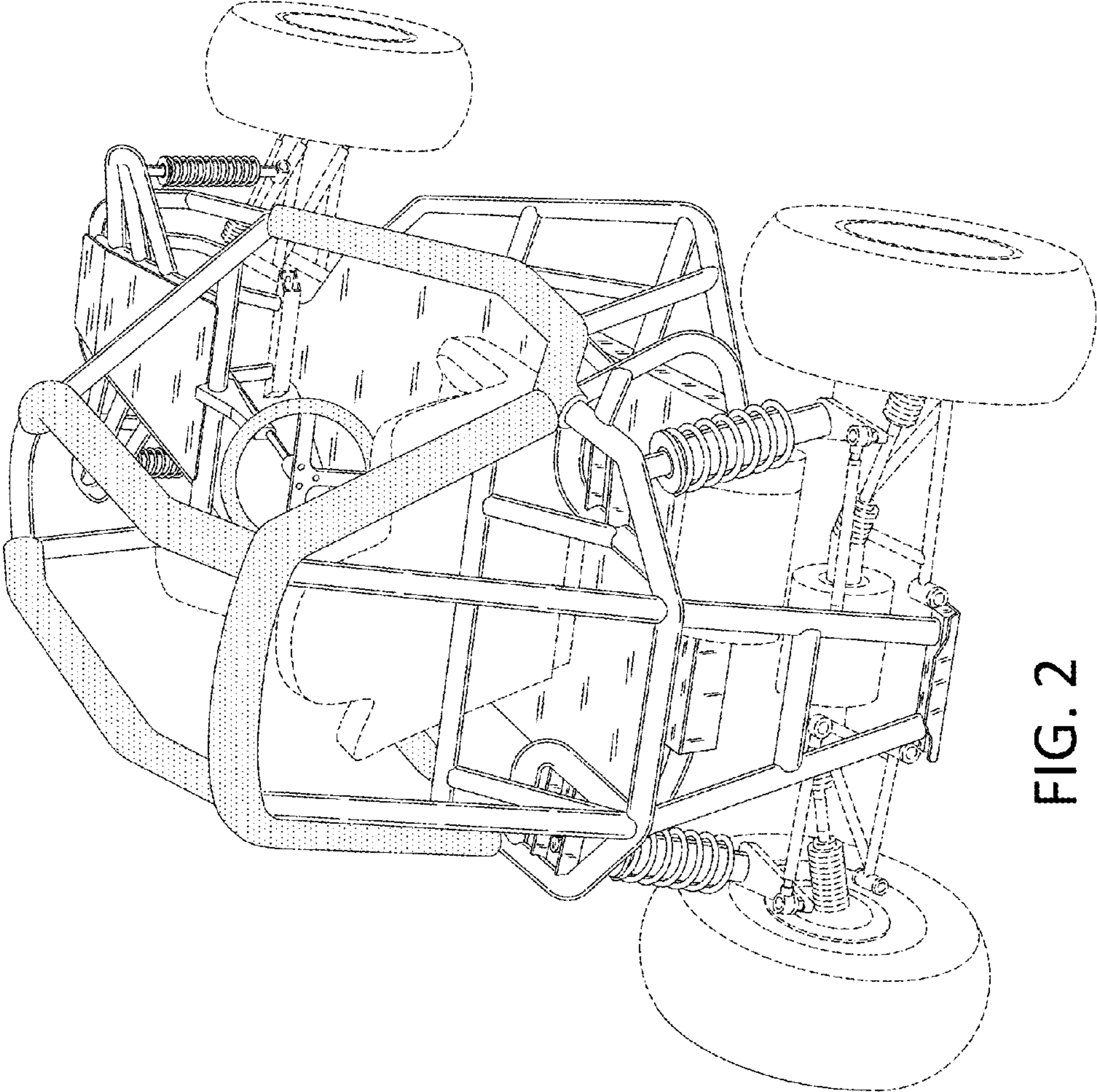


FIG. 2



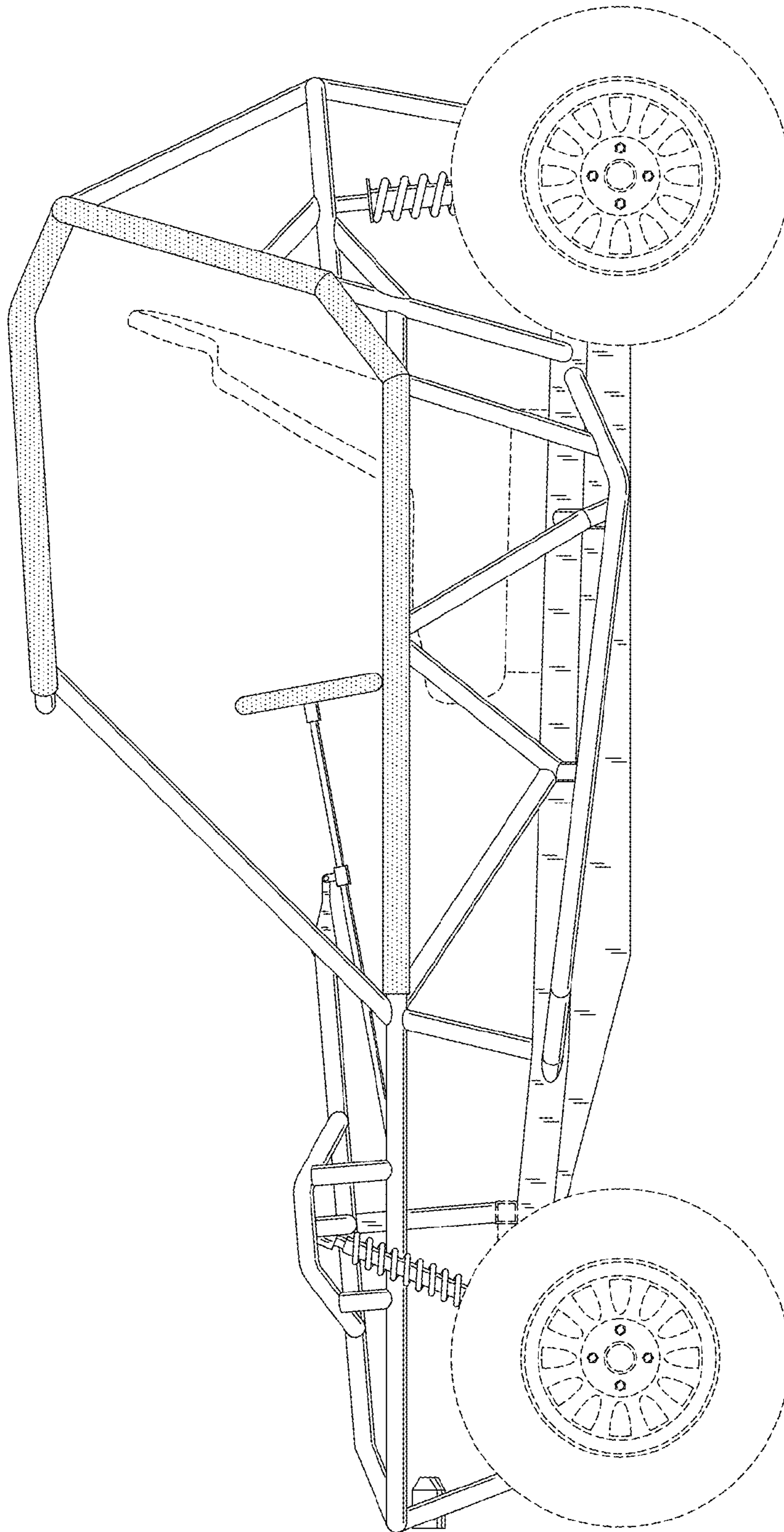


FIG. 3

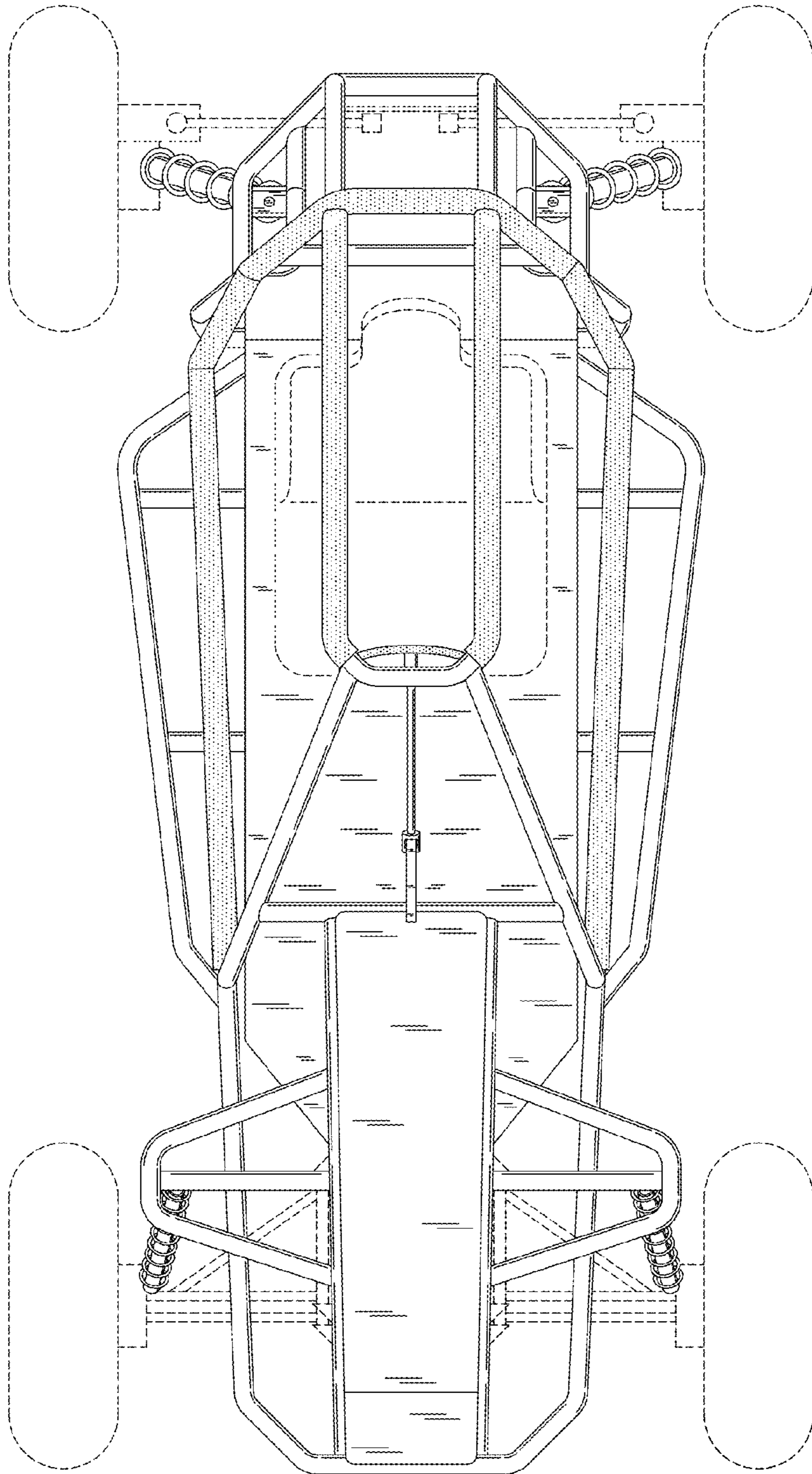


FIG. 4

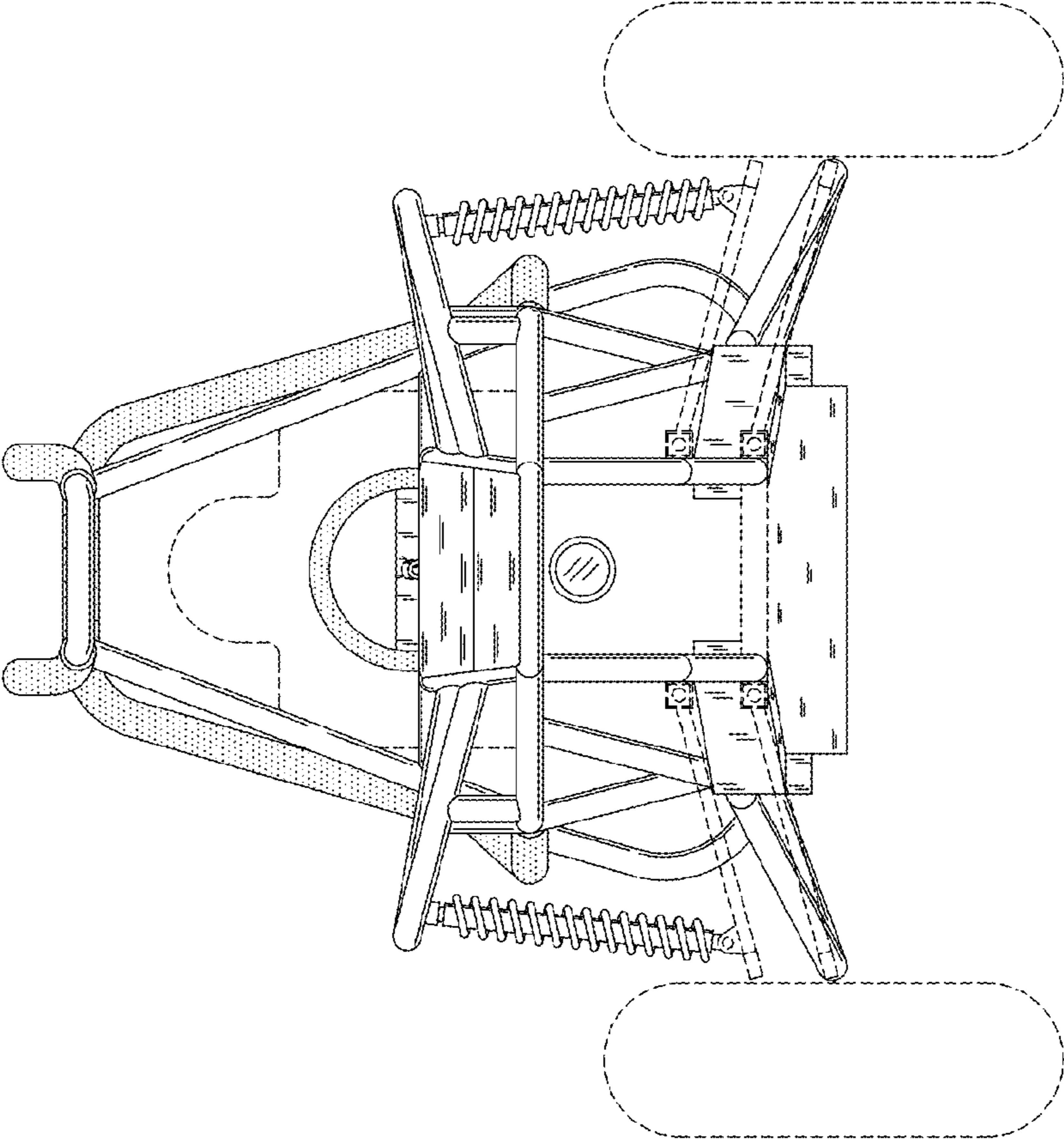


FIG. 5

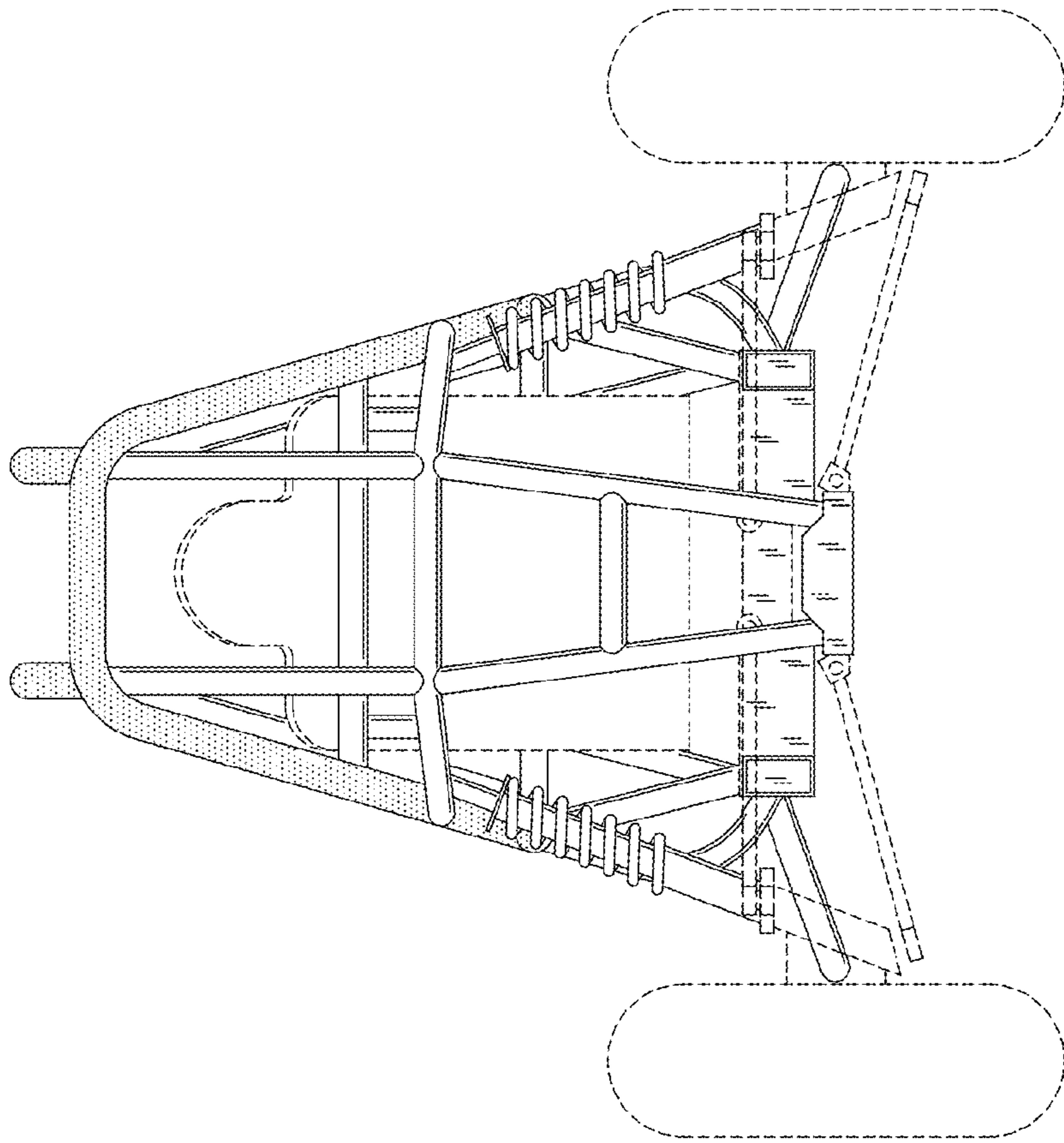


FIG. 6



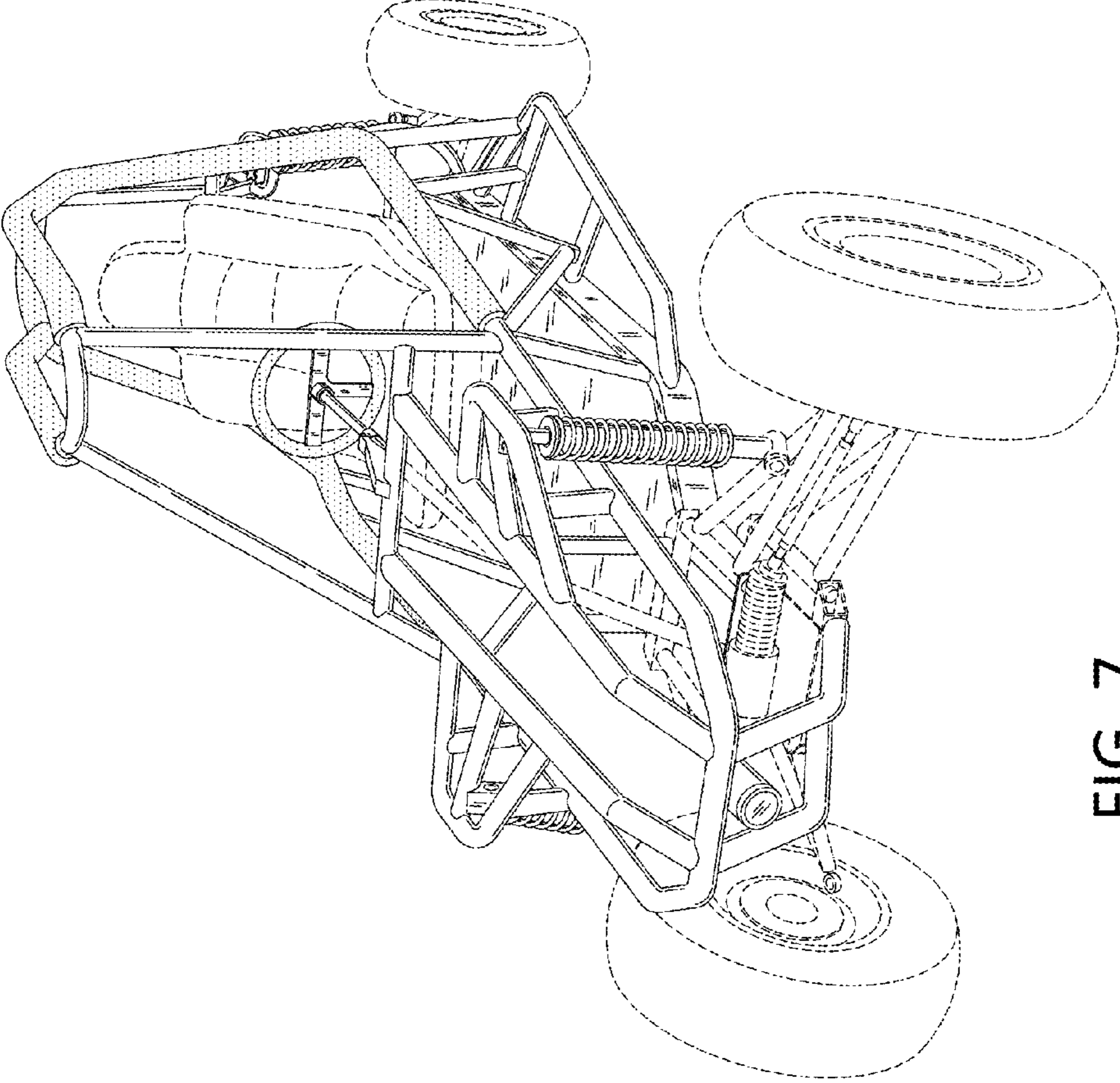


FIG. 7