



US00D739303S

(12) **United States Design Patent**  
**Kinskey**

(10) **Patent No.:** **US D739,303 S**

(45) **Date of Patent:** **\*\* Sep. 22, 2015**

- (54) **NON-TWISTING D-RINGS**
- (71) Applicant: **LF Centennial Ltd.**, Road Town, Tortola (VG)
- (72) Inventor: **Terrence P. Kinskey**, Alpharetta, GA (US)
- (73) Assignee: **LF CENTENNIAL LTD.**, Road Town, Tortola (VG)

|              |         |                    |         |
|--------------|---------|--------------------|---------|
| D357,435 S * | 4/1995  | Cook .....         | D11/218 |
| D364,126 S * | 11/1995 | Ochiai et al. .... | D11/218 |
| 5,497,923 A  | 3/1996  | Pearson et al.     |         |
| 5,605,112 A  | 2/1997  | Schuman            |         |
| 5,733,014 A  | 3/1998  | Murray             |         |
| 5,799,851 A  | 9/1998  | Wulf et al.        |         |
| 5,890,639 A  | 4/1999  | Hancock et al.     |         |
| 5,971,101 A  | 10/1999 | Taggart            |         |
| 5,988,315 A  | 11/1999 | Crane              |         |

(Continued)

(\*\*) Term: **14 Years**

(21) Appl. No.: **29/491,538**

(22) Filed: **May 22, 2014**

(51) **LOC (10) Cl.** ..... **02-07**

(52) **U.S. Cl.**  
USPC ..... **D11/218**

(58) **Field of Classification Search**  
USPC ..... D11/1-2, 200-201, 206-210, 214-218;  
24/163 R, 169-171, 173, 177-179, 191,  
24/194-195, 197, 200, 614-616, 625, 198,  
24/630; D8/349, 395  
CPC ..... A44B 11/26; A44B 11/25  
See application file for complete search history.

**FOREIGN PATENT DOCUMENTS**

CA 2120539 10/1995

**OTHER PUBLICATIONS**

Two photographs of belt with non-twisting D-rings May 21, 2014).

*Primary Examiner* — Ralf Seifert

(74) *Attorney, Agent, or Firm* — Duane Morris LLP; J. Rodman Steele, Jr.; Gregory M. Lefkowitz

(57) **CLAIM**

The ornamental design for a non-twisting D-ring, as shown and described.

**DESCRIPTION**

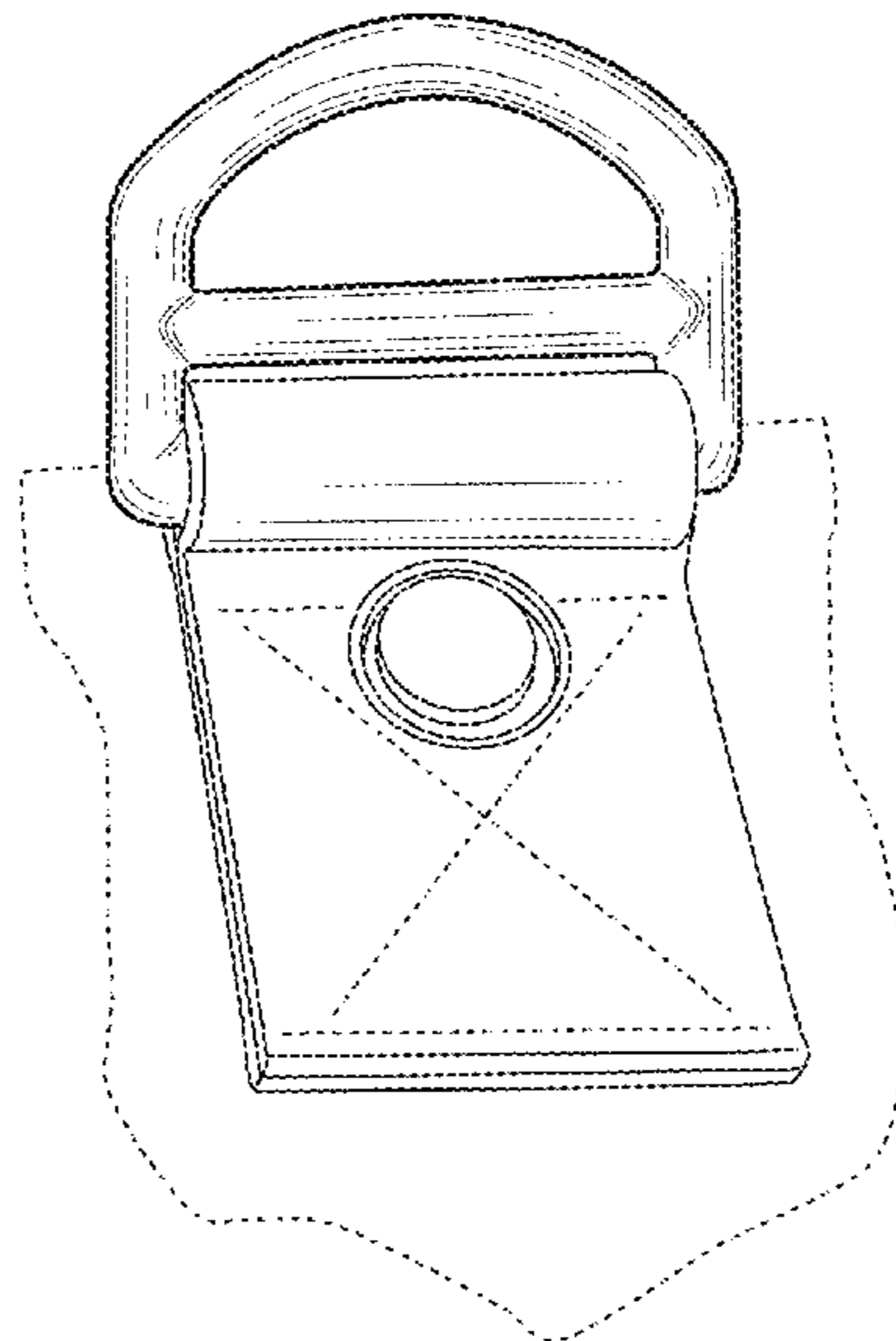
FIG. 1 is a front, perspective view of my ornamental design; FIG. 2 is a front view of the ornamental design of FIG. 1; FIG. 3 is a back view of the ornamental design of FIG. 1; FIG. 4 is a right side view of the ornamental design of FIG. 1; FIG. 5 is a left side view of the ornamental design of FIG. 1; FIG. 6 is a top view of the ornamental design of FIG. 1; and, FIG. 7 is a bottom view of the ornamental design of FIG. 1. The broken lines are included for purposes of illustrating environment and form no part of the claimed design.

**1 Claim, 6 Drawing Sheets**

(56) **References Cited**

**U.S. PATENT DOCUMENTS**

|               |         |                |        |
|---------------|---------|----------------|--------|
| 1,853,889 A * | 4/1932  | Alterson ..... | 24/312 |
| 2,119,469 A * | 5/1938  | Kerngood ..... | 24/200 |
| 4,390,116 A   | 6/1983  | Fehr           |        |
| 4,953,768 A   | 9/1990  | Muse           |        |
| 5,203,829 A   | 4/1993  | Fisk et al.    |        |
| 5,228,412 A   | 7/1993  | Bell           |        |
| 5,246,153 A   | 9/1993  | Beletsky       |        |
| 5,353,440 A   | 10/1994 | Meldeau        |        |
| 5,360,384 A   | 11/1994 | Toensing       |        |





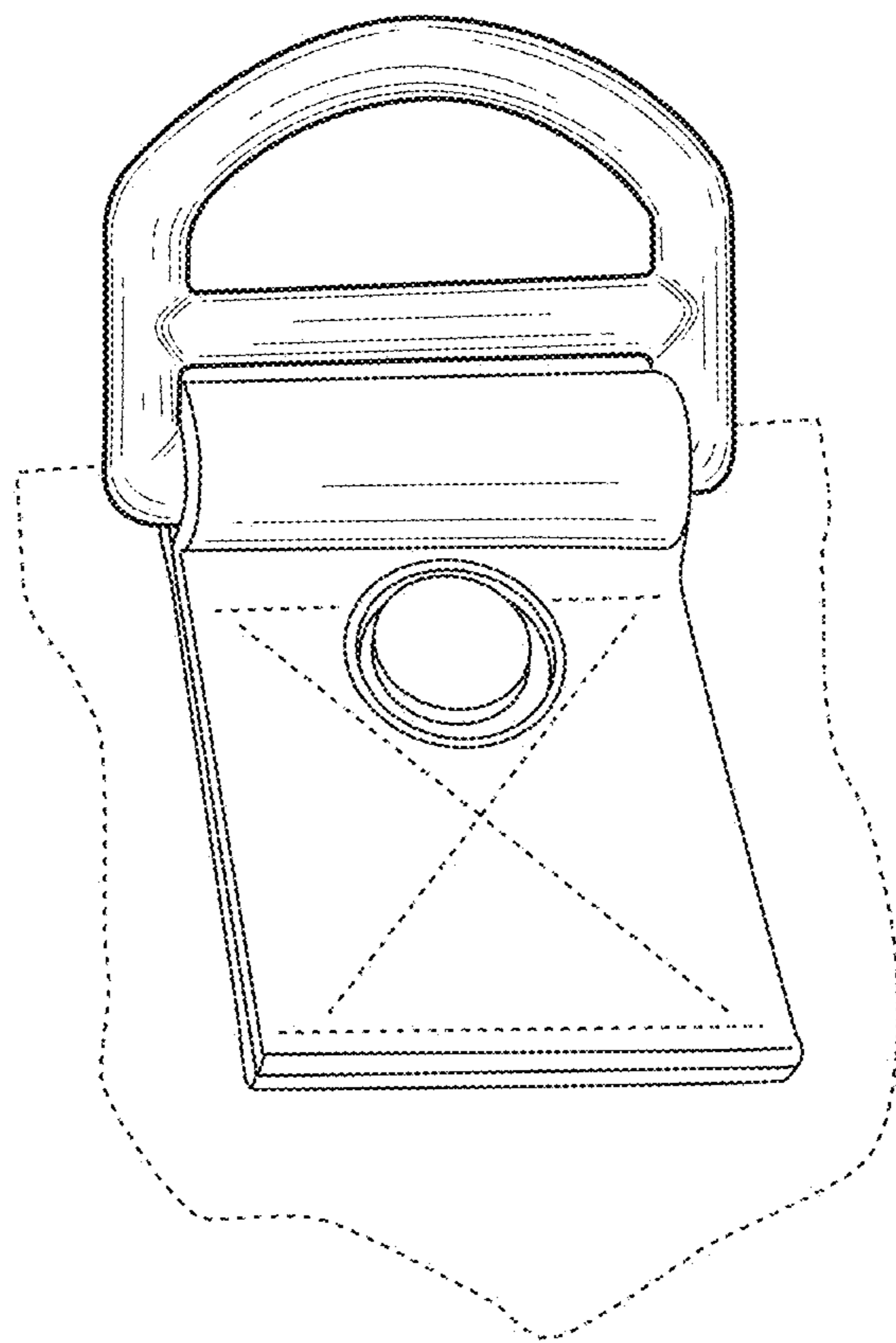


FIG. 1

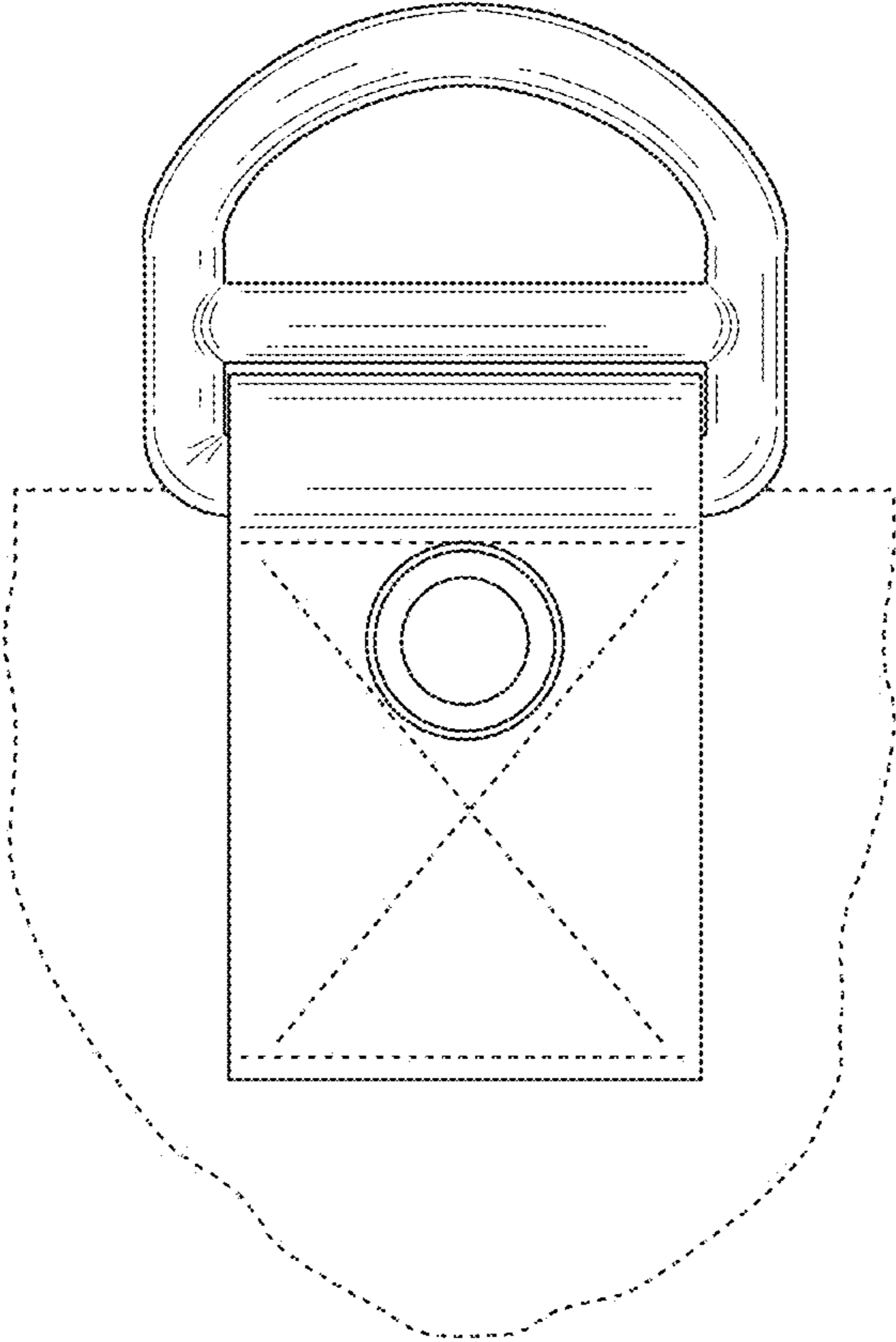


FIG. 2

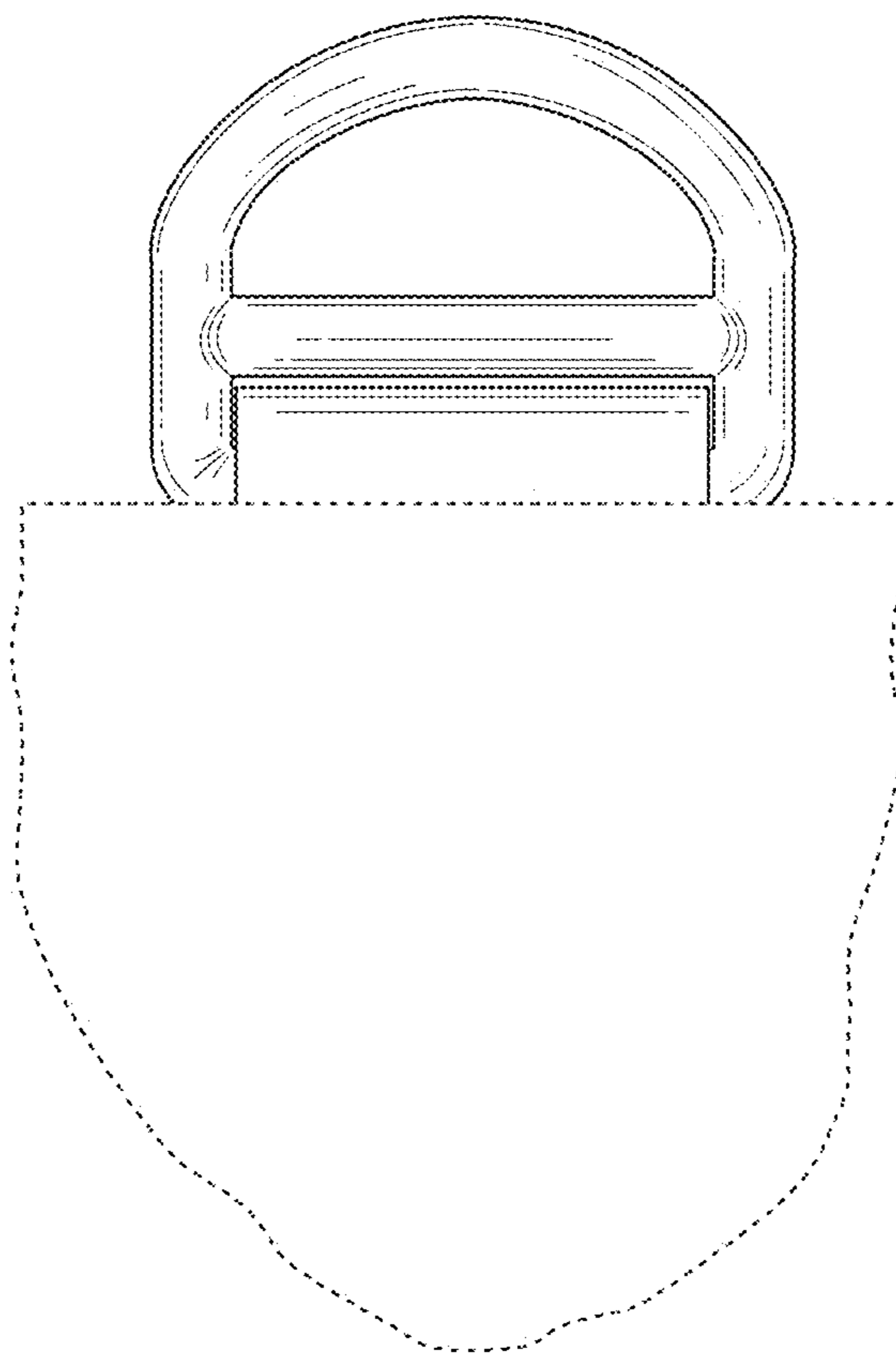


FIG. 3

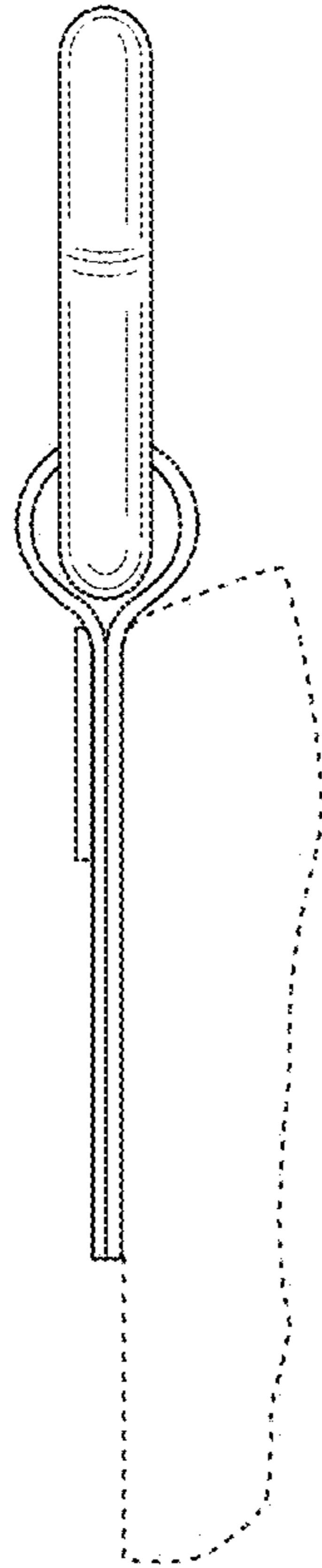


FIG. 4



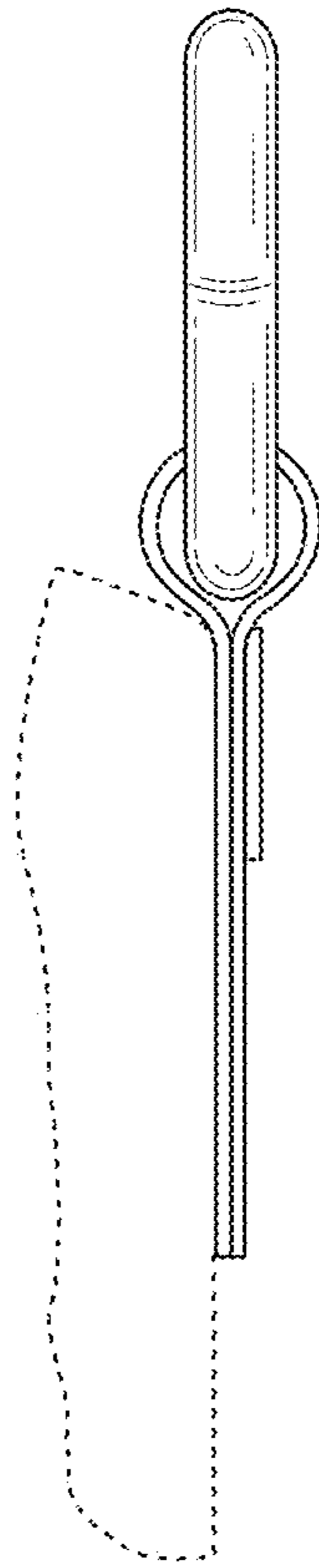


FIG. 5

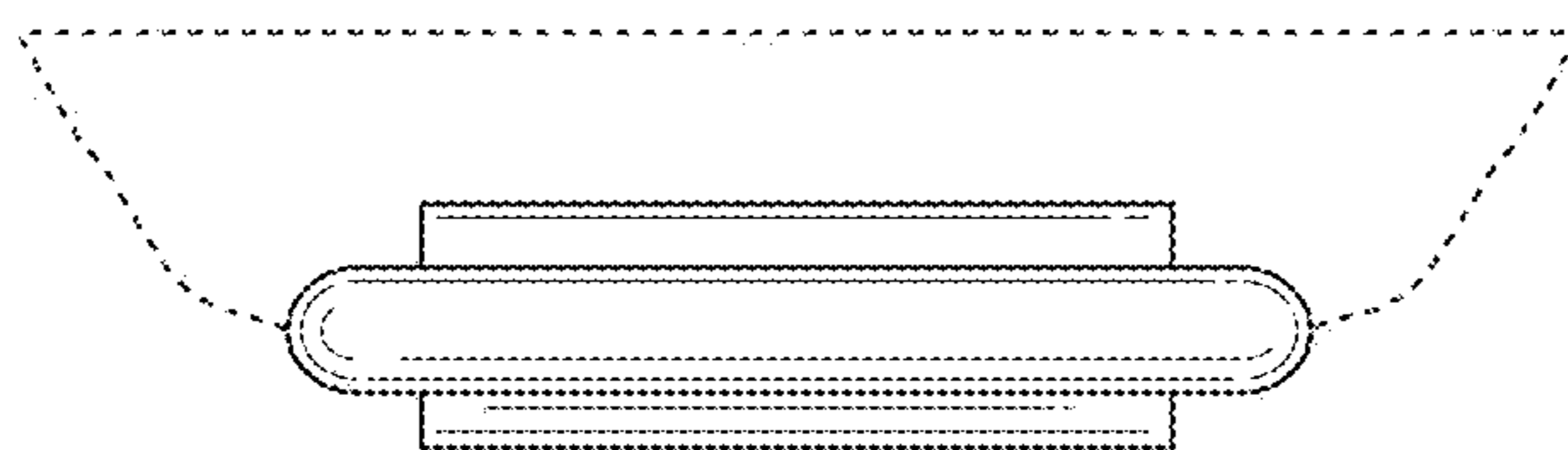


FIG. 6

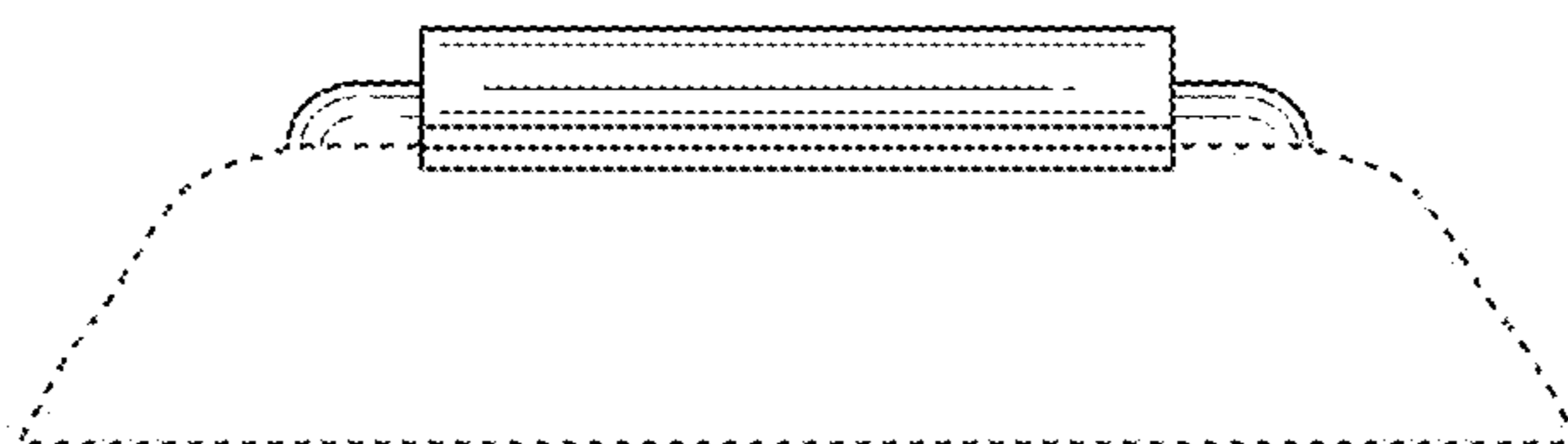


FIG. 7